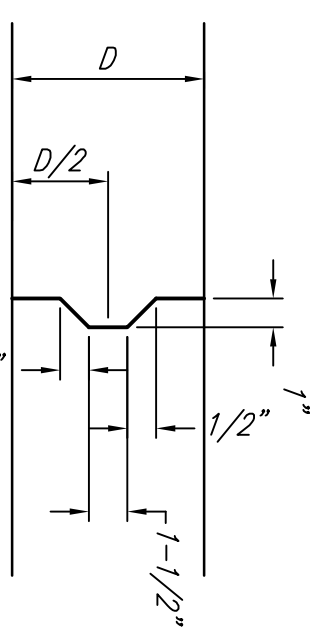
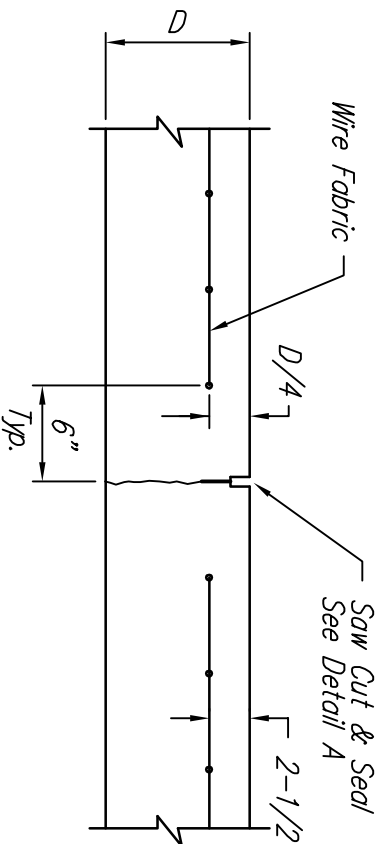


EXPANSION JOINT

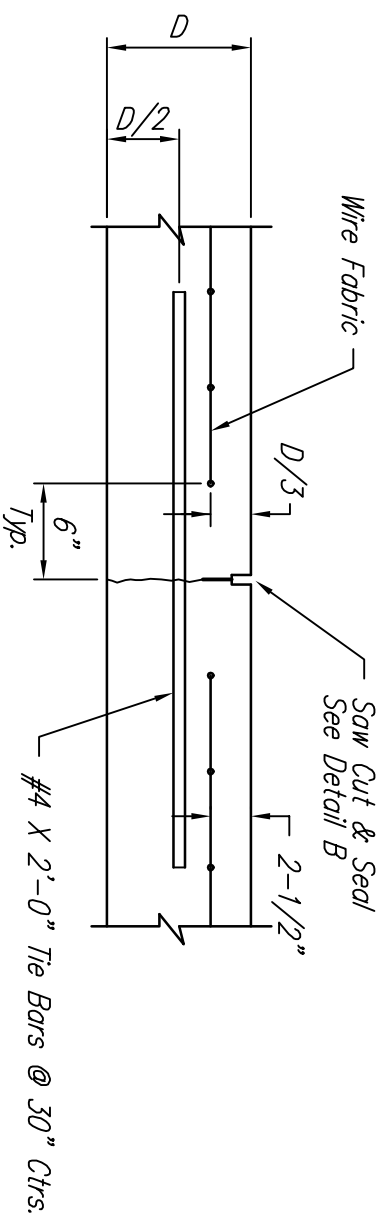
NOTE: Extra Thickness to be Subsidiary to Price of Square Yards Pavement



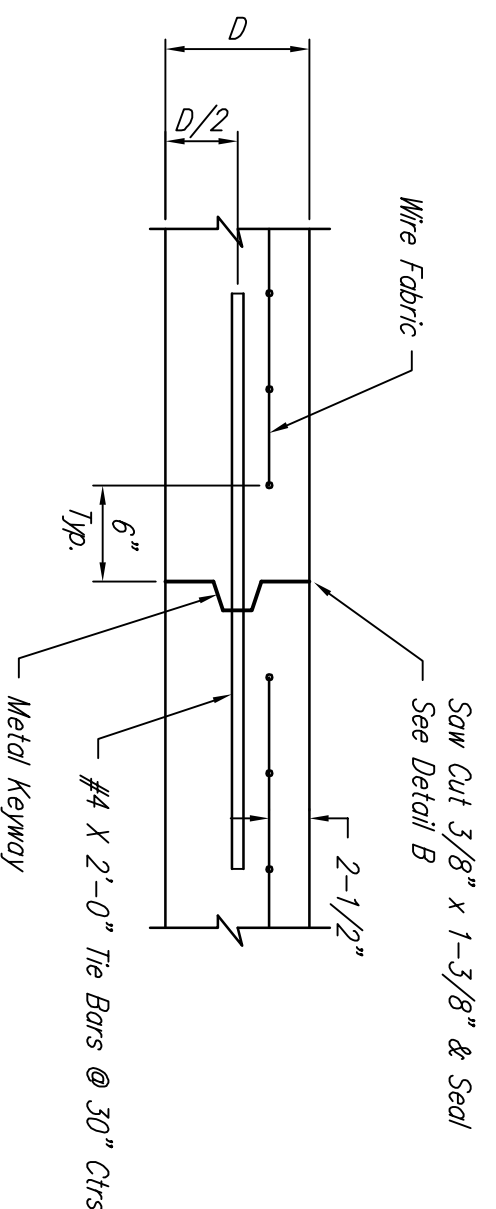
KEYWAY DETAIL



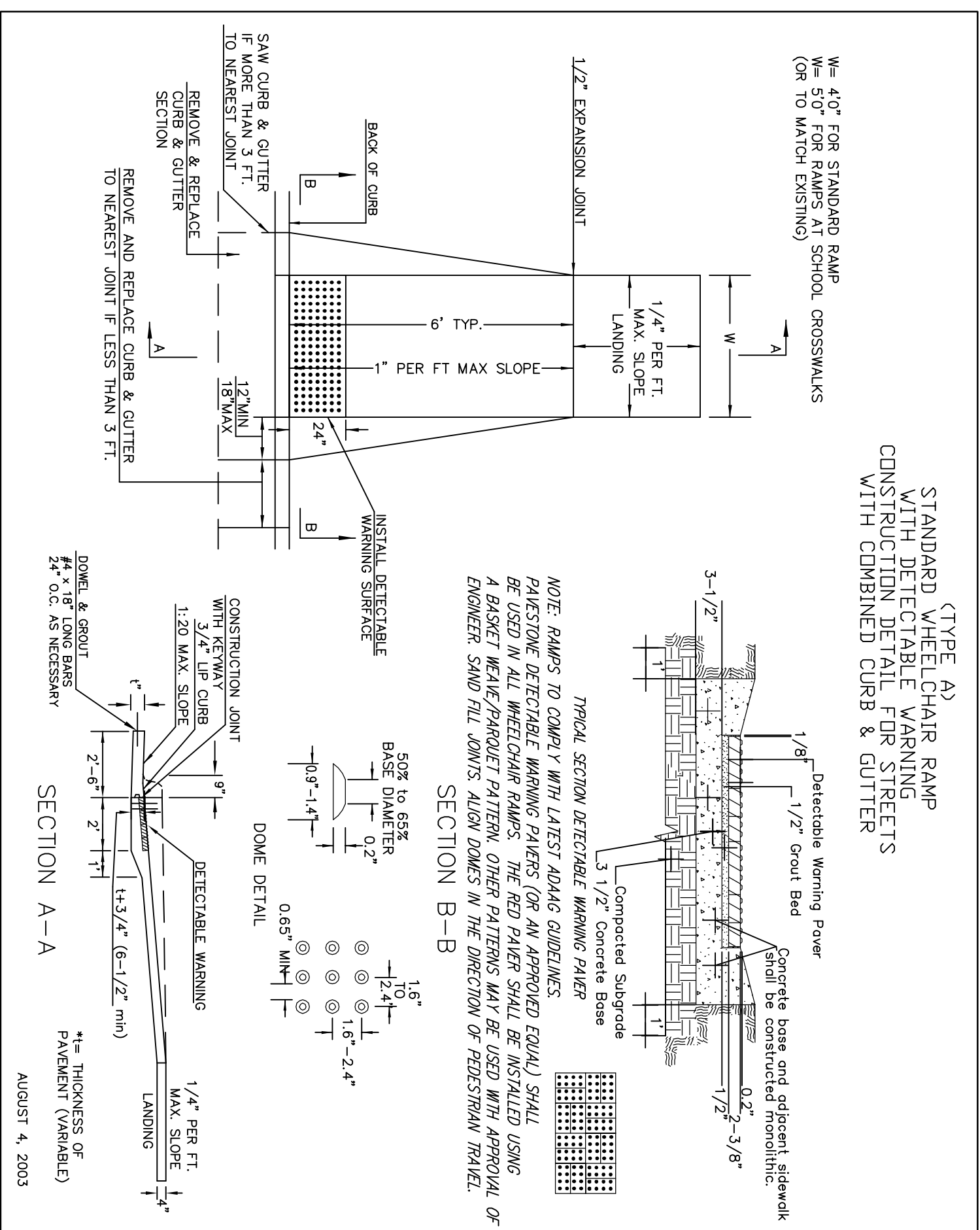
CONTRACTION JOINT DETAIL (C.J.)



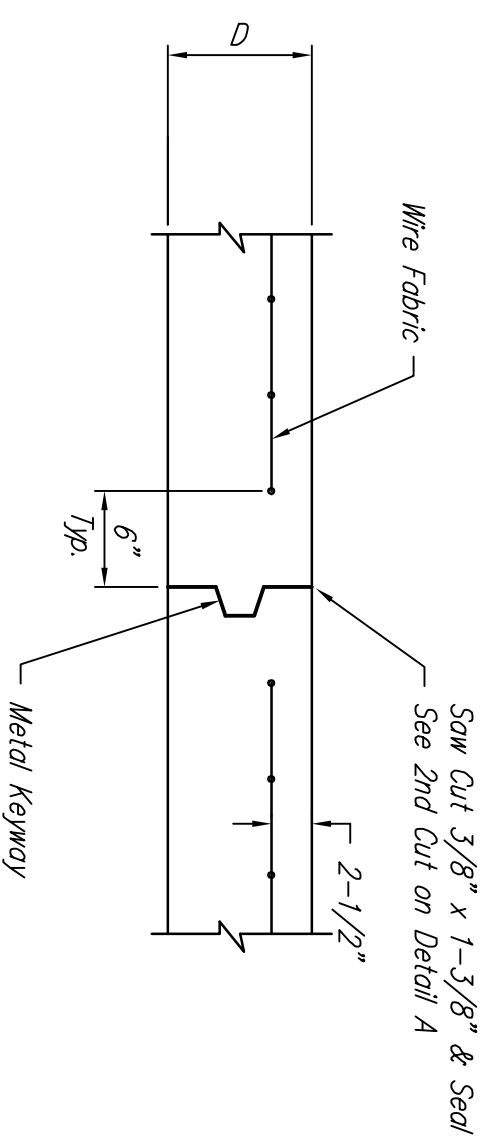
LONGITUDINAL JOINT DETAIL (L.J.)



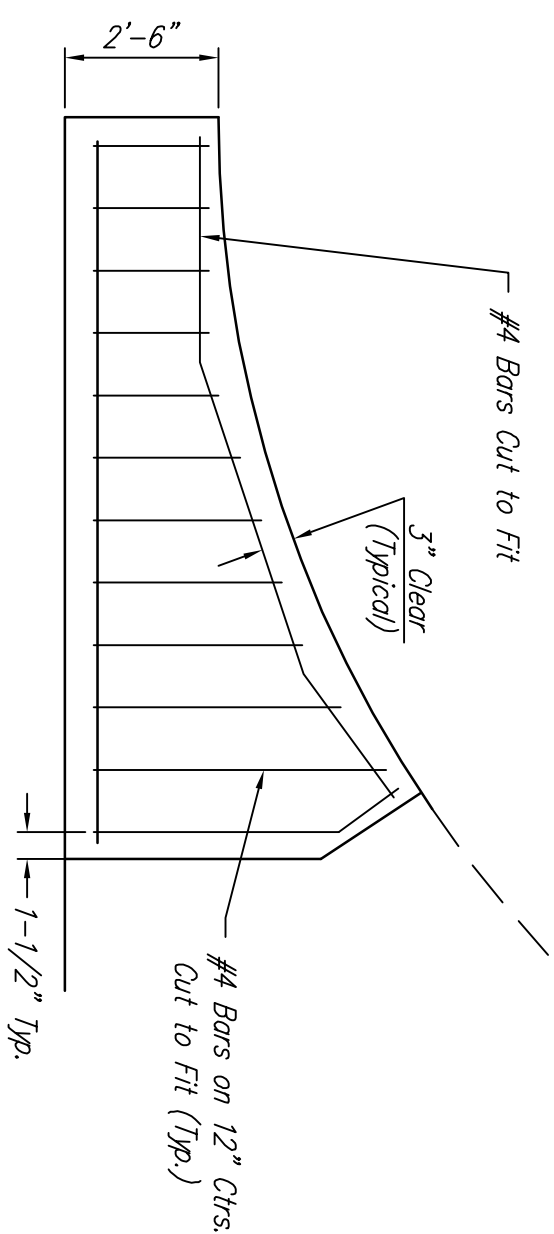
OPTIONAL LONGITUDINAL JOINT DETAIL (L.J.) (CONSTRUCTION JOINT)



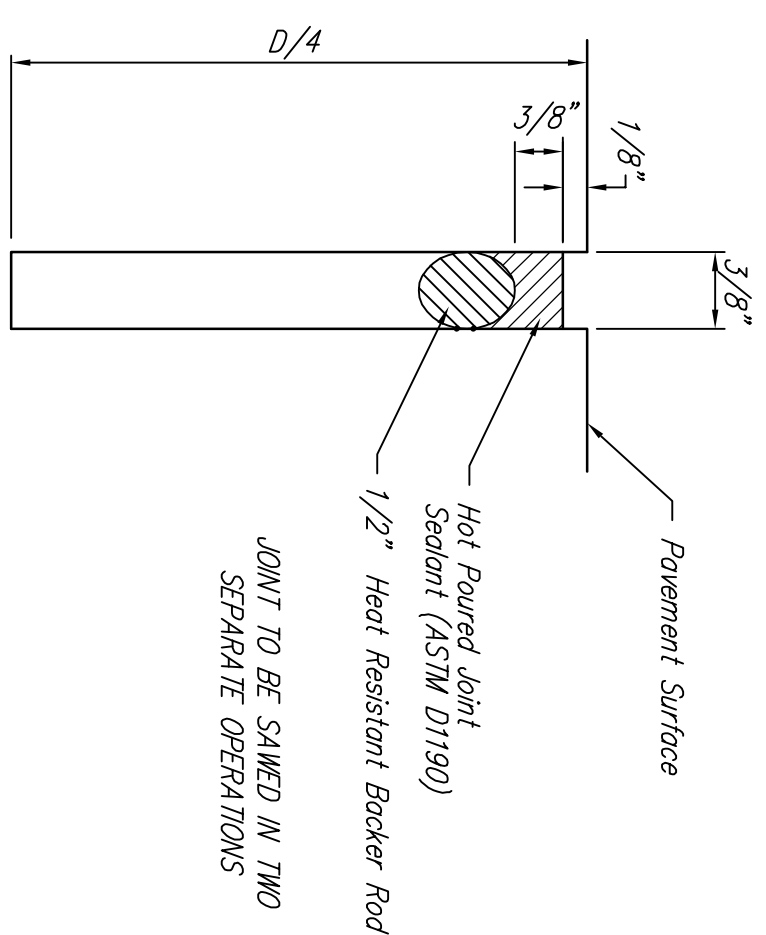
WHEELCHAIR RAMP DETAIL



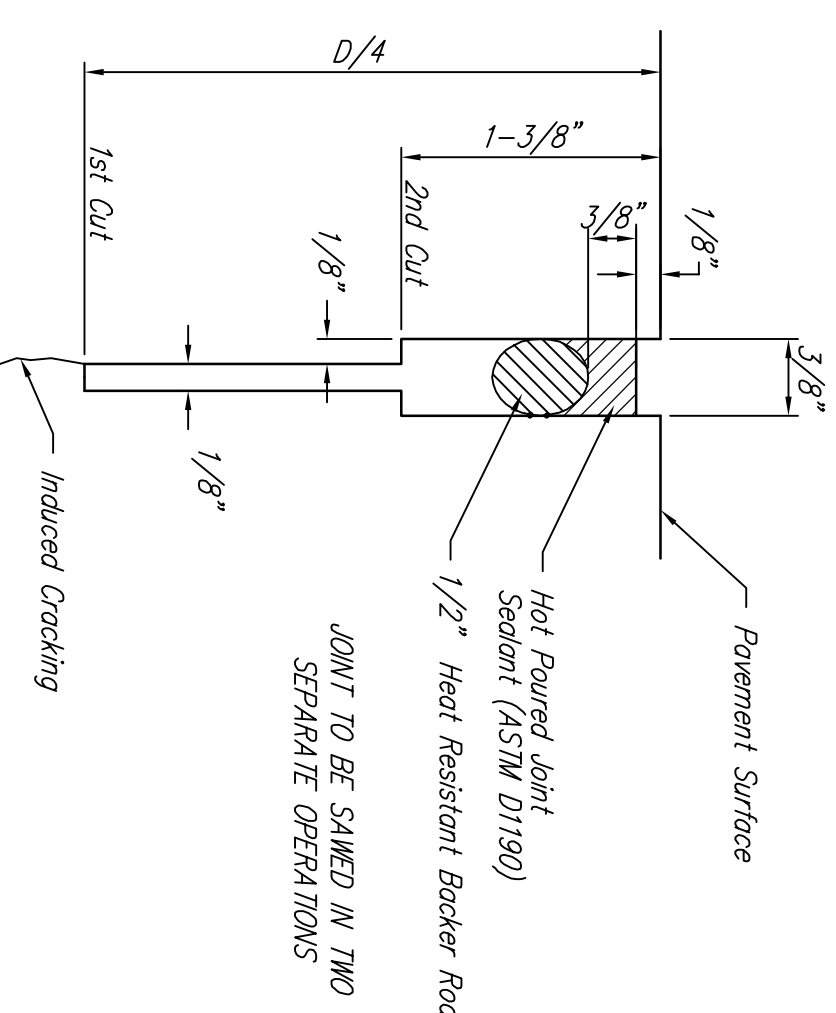
OPTIONAL CONTRACTION JOINT (CONSTRUCTION JOINT)



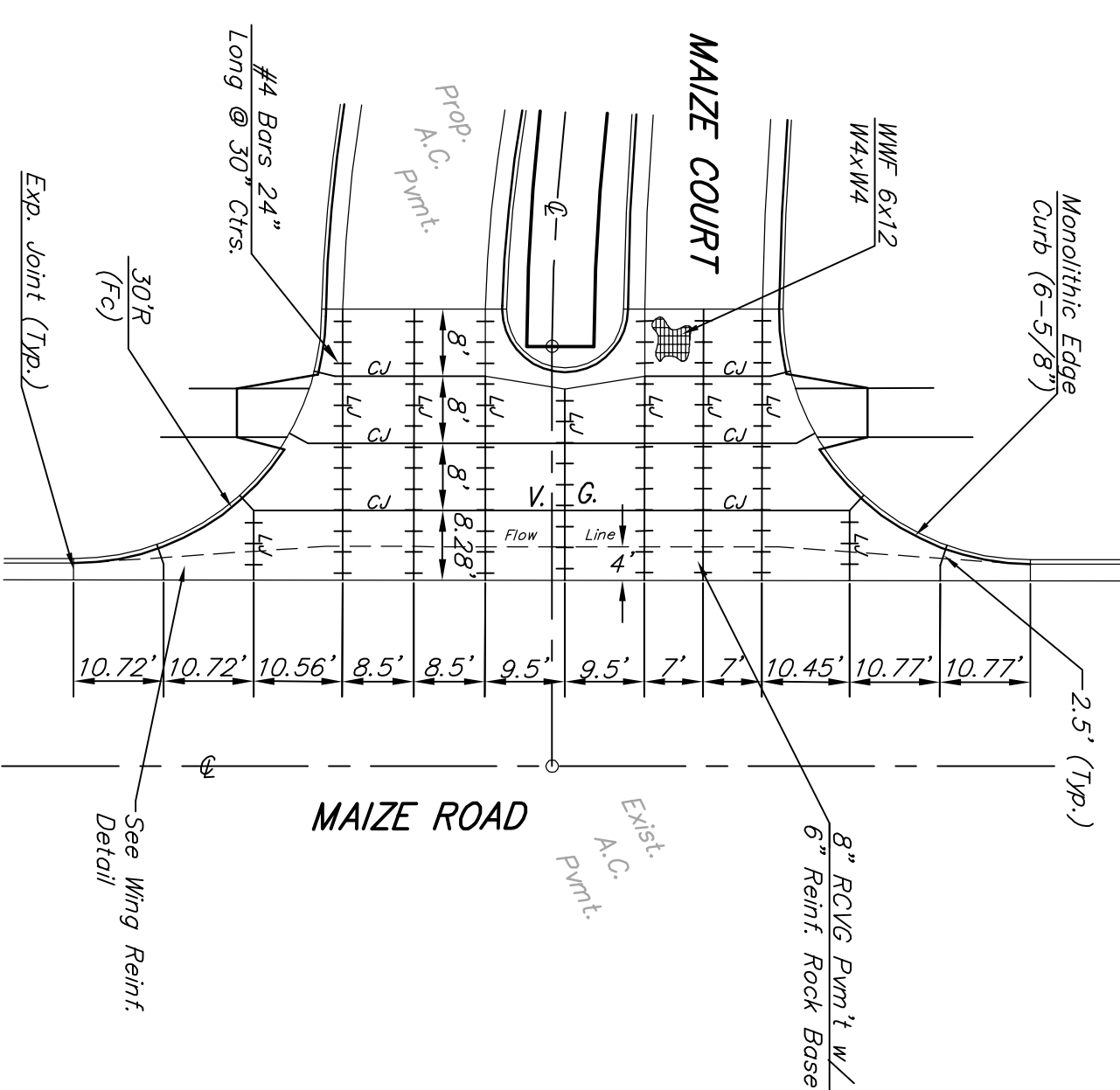
WING REINFORCING DETAIL



SAW JOINT DETAIL "B"



SAW JOINT DETAIL "A"



Scale: 1" = 20'

NOTE: 6" x 12" MAXIMA Wire Fabric Reinforcing Shall Be Placed So That The Wires Parallel With The Longitudinal Joints.

Baughman
Miscellaneous Details
Little 2nd Addition
Street Improvements

DESIGN	MWVS	DATE	09/07
APPROVED	MWVS	SCALE	NONE
PROJECT NUMBER	412-84236	SHEET	4 OF 16

Revisions:
1. 09/07/2010 - Initial Design
2. 09/07/2010 - Final Design
3. 09/07/2010 - Final Design