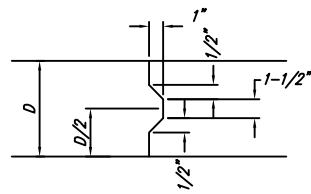
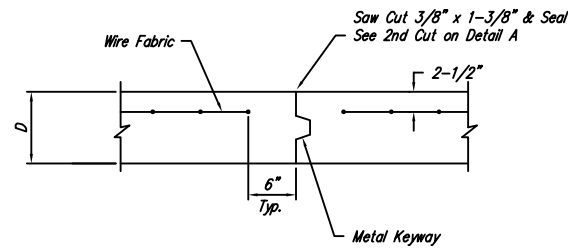


EXPANSION JOINT

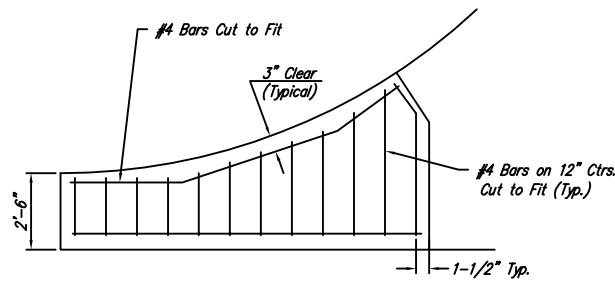
NOTE: Extra Thickness to be Subsidiary to Price of Square Yards Pavement



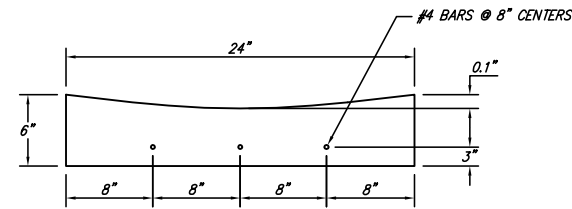
KEYWAY DETAIL



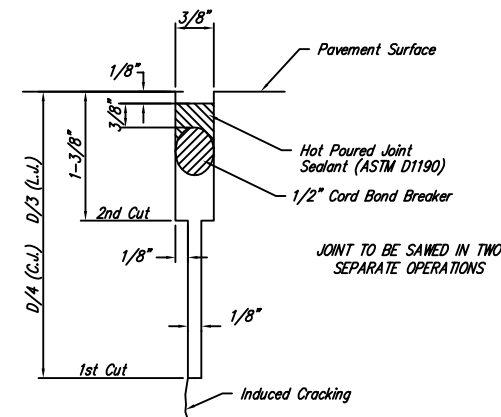
OPTIONAL CONTRACTION JOINT



WING REINFORCING DETAIL

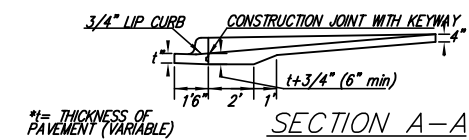
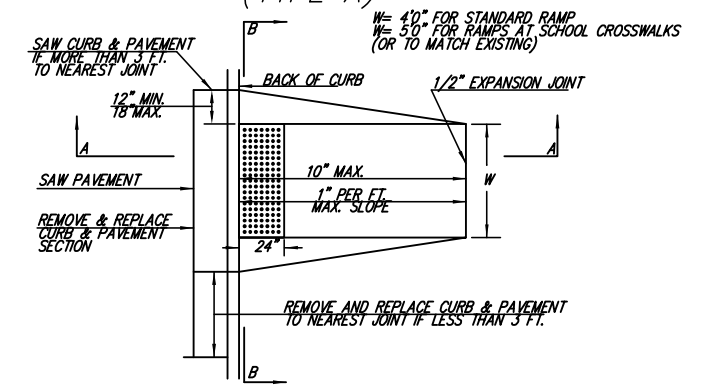


CONCRETE FLUME DETAIL

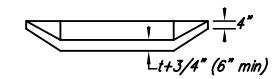


SAW JOINT DETAIL

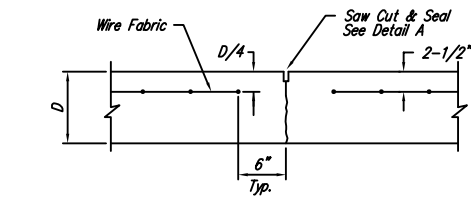
STANDARD WHEELCHAIR RAMP CONSTRUCTION DETAIL FOR CONCRETE STREETS WITH MONOLITHIC CURB (TYPE A)



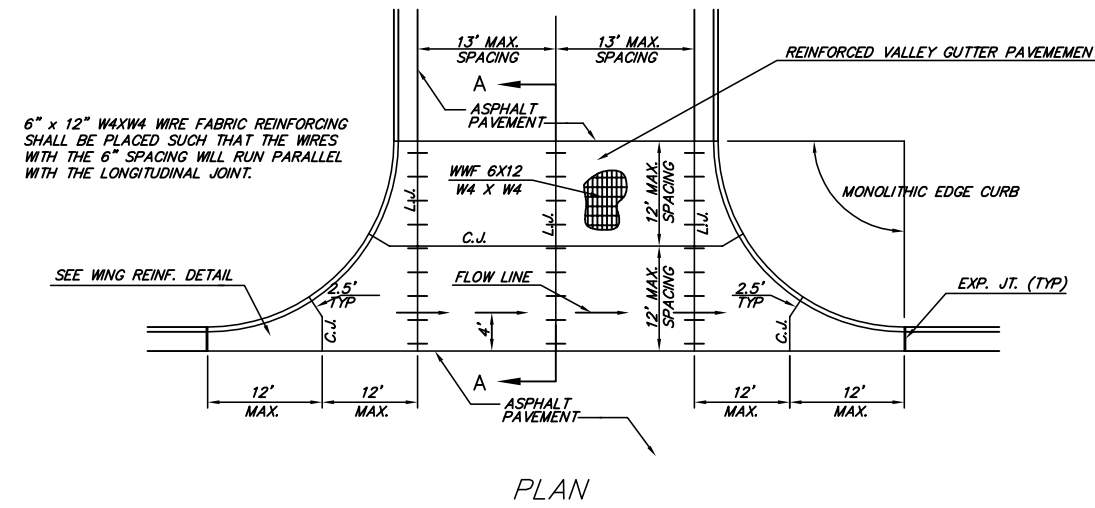
SECTION A-A



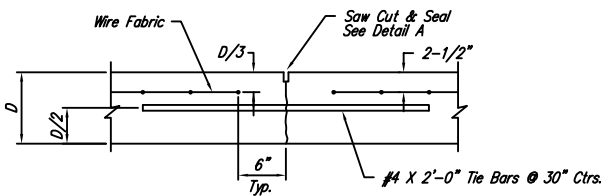
SECTION B-B



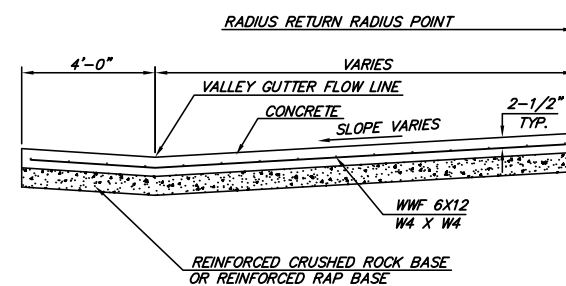
CONTRACTION JOINT DETAIL (C.J.)



6" x 12" W4XW4 WIRE FABRIC REINFORCING SHALL BE PLACED SUCH THAT THE WIRES WITH THE 6" SPACING WILL RUN PARALLEL WITH THE LONGITUDINAL JOINT.

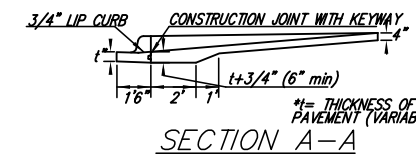
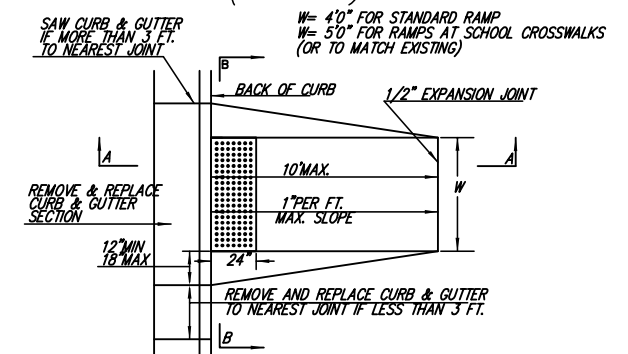


LONGITUDINAL JOINT DETAIL (L.J.)

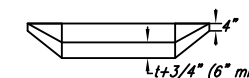


REINFORCED VALLEY GUTTER DETAIL

STANDARD WHEELCHAIR RAMP CONSTRUCTION DETAIL FOR STREETS WITH COMBINED CURB & GUTTER (TYPE A)



SECTION A-A



SECTION B-B

OPTIONAL LONGITUDINAL JOINT DETAIL (L.J.)

<p>THE CITY OF WICHITA</p>	<p>VALLEY GUTTER DETAILS</p>	
	<p>WHEELCHAIR RAMP DETAILS</p>	
<p>CITY ENGINEER'S OFFICE 435 NORTH MAIN STREET WICHITA, KANSAS 67202 (316) 268-4201 (316) 268-4114 FAX</p>	<p>PROJECT NUMBER 472-84576</p>	<p>OCA # 766161</p>
	<p>DATE MAR 96</p>	<p>SHEET 5 OF 32</p>