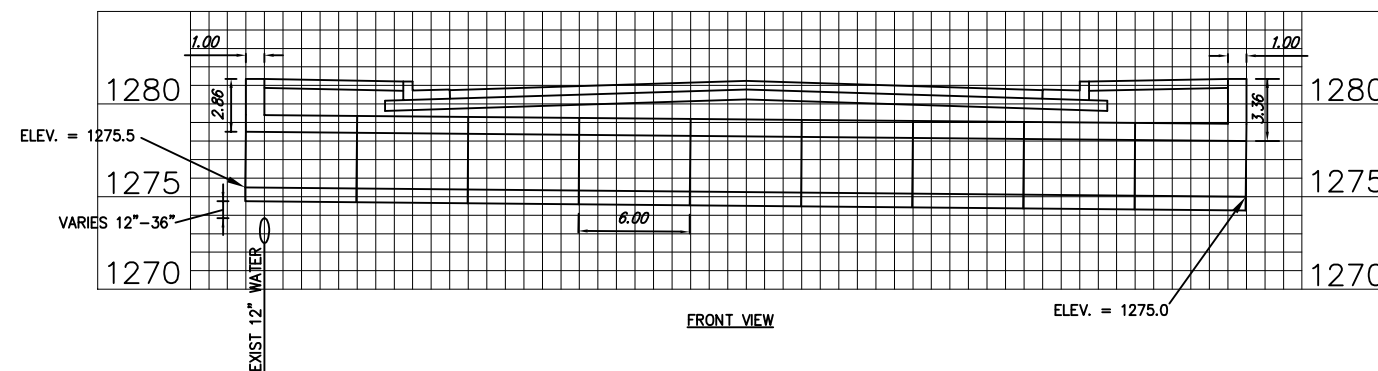
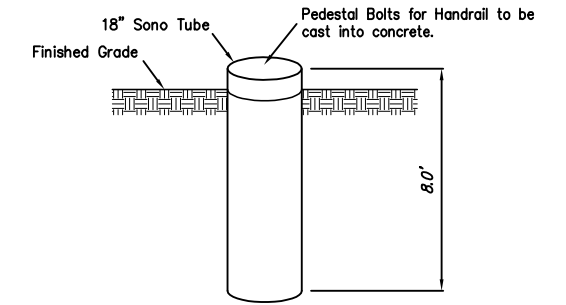
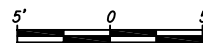


TOP VIEW



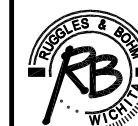
FRONT VIEW



SONO TUBE DETAIL

NOTES: WINGWALLS AND LAST BOX SECTIONS TO BE CAST-IN-PLACE AS INDICATED. ENTIRE BOX CAN BE CAST-IN-PLACE IF SHOP DRAWINGS OF THE DESIGN ARE APPROVED.

LEGACY ADDITION
BOX CULVERT DETAILS
WICHITA, KANSAS



Ruggles & Bohm, P.A.
Engineering, Surveying, Land Planning
924 North Main
Wichita, Kansas 67203
www.rbkansas.com
(316) 264-8008
(316) 264-4821 fax
E-mail: info@rbkansas.com

DRAWING FILE
Details {Handrail}

PROJECT NUMBER
472-84525

DESIGN	KWL	SHEET 19 OF 43
DRAWN	RLS	
REVIEW		
UTILITY		
DATE	Jan. 30, 2007	