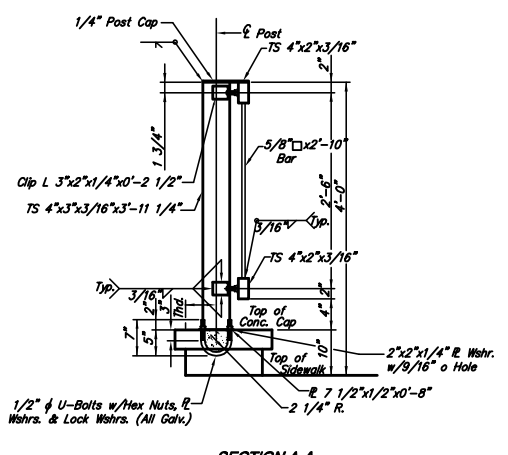
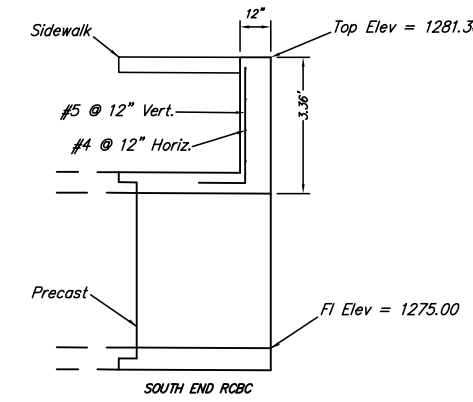
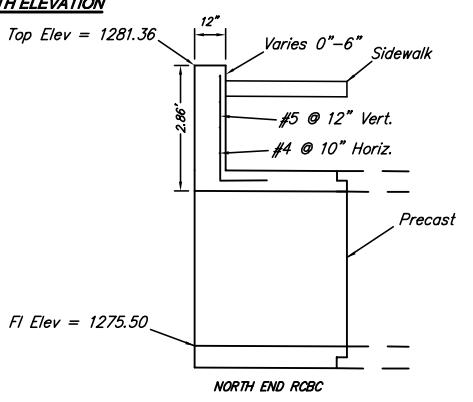
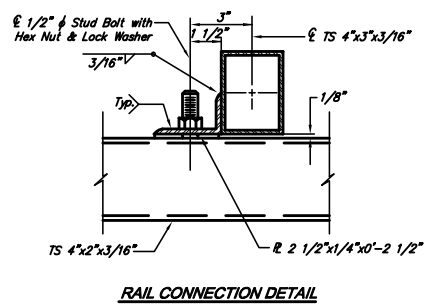
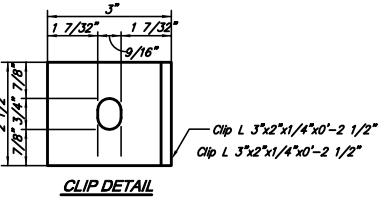


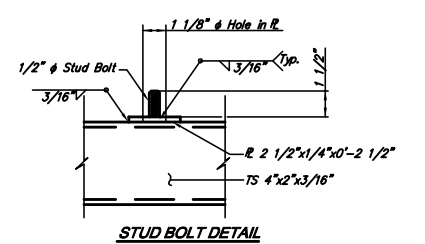
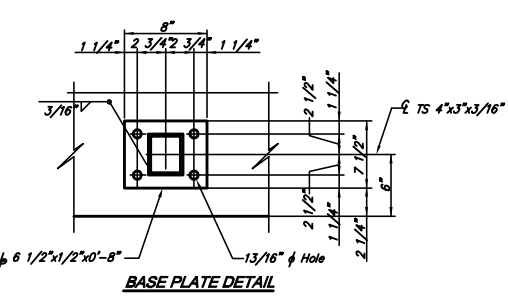
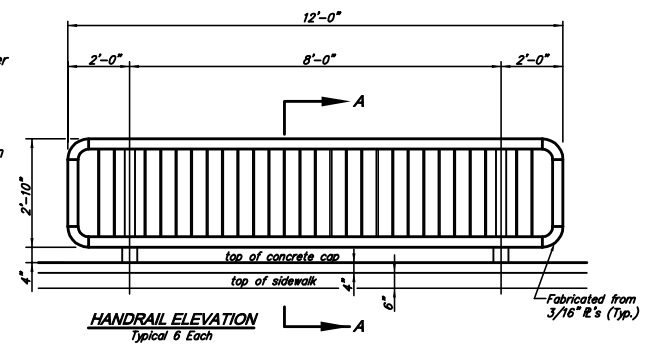
CAST IN PLACE CONCRETE, HAND RAILS, WING WALLS, PRECAST BOX SECTIONS, AND OTHER LABOR & MATERIALS ASSOCIATED WITH RCBC INSTALLATION SHALL BE BID AS A LUMP SUM UNDER "RCBC (12'X3)".



**CONCRETE CAP DETAIL**  
Use Style 100 Pier Cap manufactured by Architectural Cast Stone, or approved alternative.



**BRIDGE HANDRAIL NOTES:**  
The rail members shall conform to ASTM Designation A36  
Rail shall be fabricated in lengths to include a minimum of two and a maximum of three panels. Posts shall be set vertical. Shims may be used between concrete and base plates of posts.  
All parts of Bridge Handrail shall be painted. Shop and field coats shall conform to organic or inorganic Zinc for primer or equivalent.  
"High-Build Polyurethane Finish Coat" at the Standard Specifications for State Road and Bridge Construction, 1990 Edition, Kansas Department of Transportation.  
All materials, equipment and labor necessary for the installation of the Handrail on the bridge shall be subsidiary to the bid item, "Handrail".  
Handrail shall be approved by Developer prior to painting. Contractor to submit color chart to Engineer for approval.  
Touch Up: All bolts, nuts and studs and other small areas of damaged paint (10 S.F. or less) requiring touch up will be prepared and painted w/approved alluminum epoxy mastic primer.



<b>FAWN GROVE AT SUNSET LAKES HANDRAIL DETAILS WICHITA, KANSAS</b>			
<b>Ruggles &amp; Bohm, P.A.</b> Engineering, Surveying, Land Planning		DESIGN: KWL DRAWN: RLS REVIEW: [ ] UTILITY: [ ]	SHEET: 20 OF: 43
924 North Main Wichita, Kansas 67203 www.rbkansas.com		(316) 264-8008 (316) 264-4821 fax E-mail: info@rbkansas.com	DATE: Jan. 30, 2007
DRAWING FILE: Details {Handrail}		PROJECT NUMBER: 472-84525	