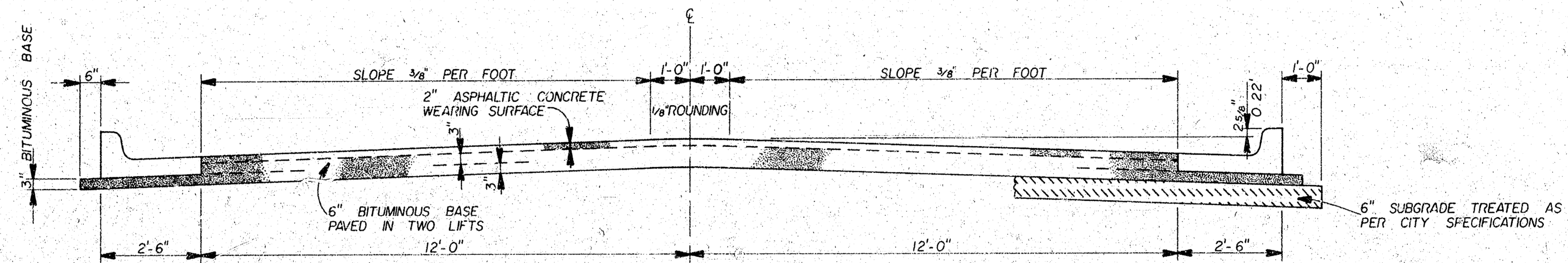


Fern Circle

S.L. 47th St. So. To & Including Cul-De-Sac



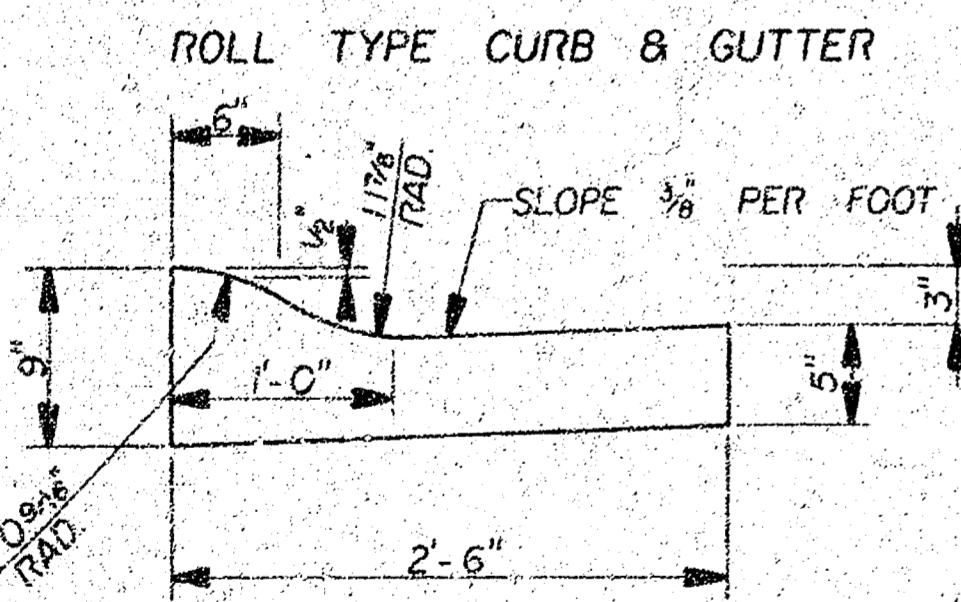
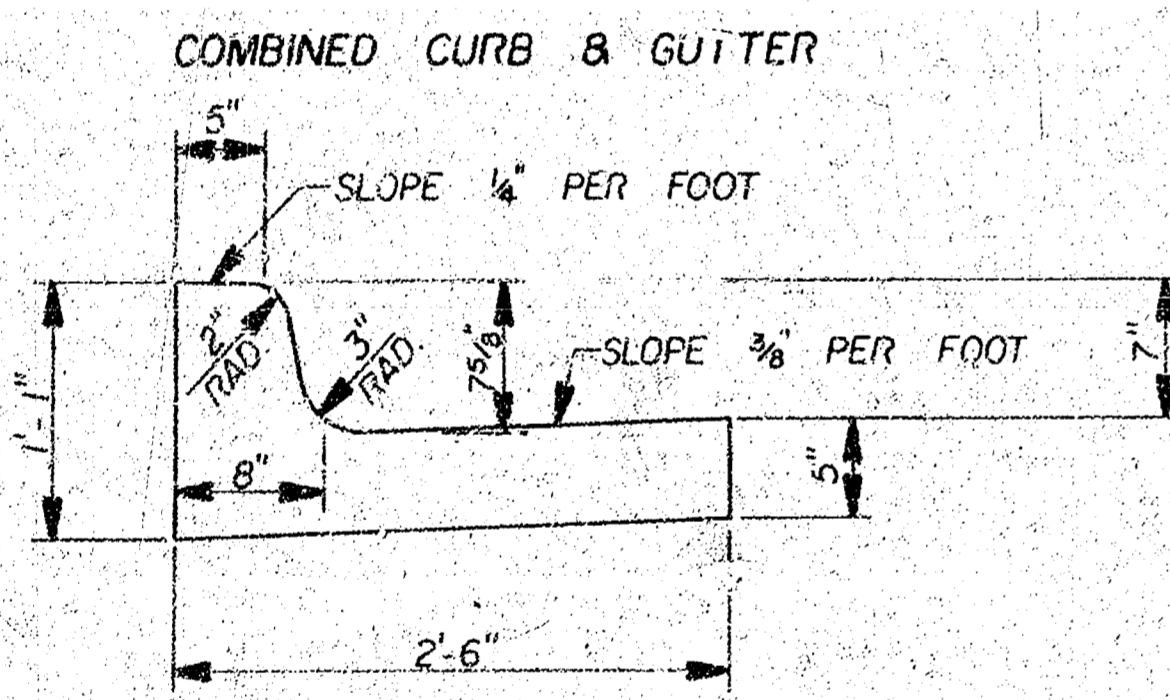
TYPICAL SECTION

29' ASPHALTIC CONCRETE PAVEMENT WITH BITUMINOUS BASE

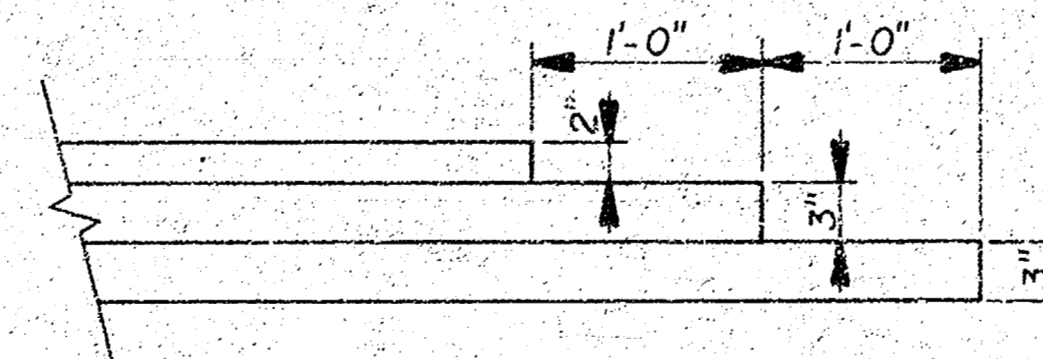
A TACK COAT OF EMULSIFIED ASPHALT (SS-IH) SHALL BE APPLIED AT AN APPROXIMATE RATE OF 0.05 GALLONS PER SQ. YD. BETWEEN LIFTS OF ASPHALTIC MATERIALS WHEN ORDERED BY THE ENGINEER. TACK COAT WILL NOT BE PAID FOR DIRECTLY AND SHALL BE CONSIDERED AS SUBSIDIARY TO PRICE BID FOR ASPHALTIC PAVEMENT.

BITUMINOUS BASE AND ASPHALTIC CONCRETE WEARING SURFACE SHALL BE PLACED WITH A LAYDOWN MACHINE HAVING AUTOMATIC ELECTRONIC CONTROLS FOR CROWN AND GRADE. CONSTRUCTION JOINTS IN EACH LIFT SHALL BE STAGGERED A MINIMUM DISTANCE OF 1' WITH JOINTS IN PRECEDING LIFTS AND SUCH THAT A JOINT WILL BE CONSTRUCTED ON THE PAVEMENT CENTERLINE IN THE TOP LIFT.

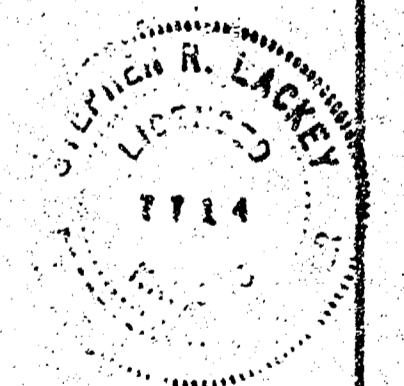
THE ASPHALTIC CONCRETE PAVEMENT BETWEEN THE COMBINED CURB & GUTTER SHALL BE PAID AS SQ. YDS. 8" ASPHALTIC CONCRETE PAVEMENT (6" BITUMINOUS BASE) THE BITUMINOUS BASE UNDER THE COMBINED CURB & GUTTER SHALL BE PAID AS SQ. YDS. 3" BITUMINOUS BASE.



DETAIL OF TRANSVERSE CONSTRUCTION JOINTS



TRANSVERSE CONSTRUCTION JOINTS SHALL BE CONSTRUCTED IN FLEXIBLE BASE PAVEMENTS AT LOCATIONS WHERE PAVEMENT TEMPORARILY ENDS TO FACILITATE FUTURE PAVEMENT CONSTRUCTION AS SHOWN BY DETAIL. THE COST OF CONSTRUCTING THE TRANSVERSE CONSTRUCTION JOINTS SHALL NOT BE MEASURED OR PAID FOR DIRECTLY BUT SHALL BE INCLUDED IN THE BID PRICE FOR SQ. YDS. OF ASPHALTIC CONCRETE PAVEMENT.



CITY OF WICHITA, KANSAS

DEPARTMENT OF PUBLIC WORKS - ENGINEERING

R. W. LINN CITY ENGINEER

DATE _____ PROJ. NO. 472 76 245 80690 000 000

Sh. 1 1/2

FILMED FROM THE BEST AVAILABLE COPY.....

