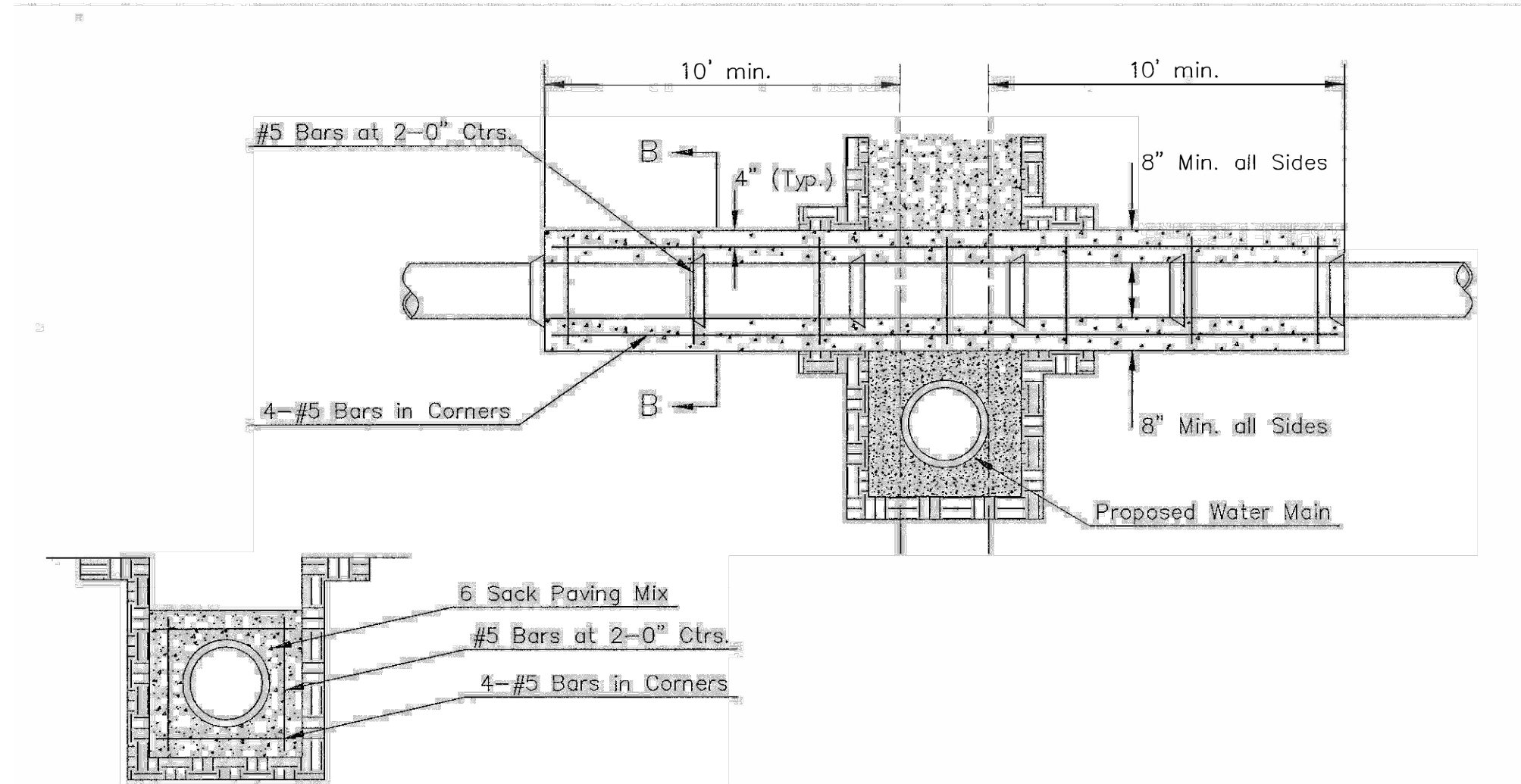


PLOTTED: Monday, June 15, 2025 @ 11:25AM

J:\PROJECTS\2025\210857\_ACFL\_SPIRIT\_MILITARY\00\_210857\_CADD\SHETS\06\_CIVIL\SITE\1086-10-EROSION CONTROL DETAILS.DWG

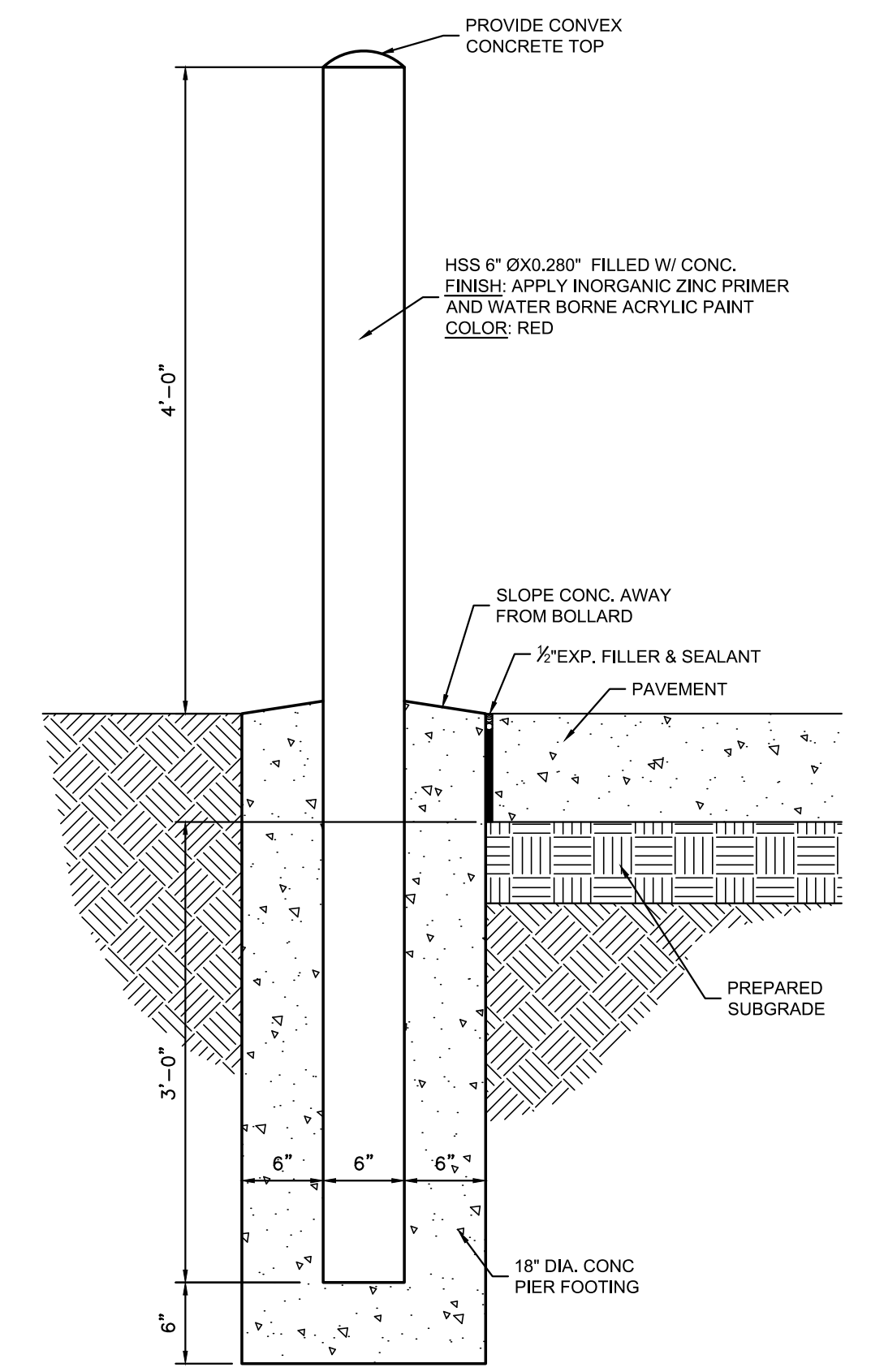


Note: Encasement to begin and end at a Bell on Sanitary Sewer Pipe.

SECTION B-B

**REINFORCED CONCRETE ENCASUREMENT OF SANITARY SEWER**

SCALE: NTS



OUTSIDE PAVED AREAS

IN PAVED AREAS

**BOLLARD DETAIL**

SCALE: NTS



WATER EXTENSION PLANS FOR  
**ACFL WATER EXTENSION**  
WICHITA, KS

DETAIL SHEET

PROJECT NO. 210857

SCALE NTS

DRAWN	DESIGNED	CHECKED
KM	KM	DK

01	ISSUED FOR CONSTRUCTION	06/13/25
NO.	REVISION	DATE

SHEET NO. 12 OF 20

©2025 MKEC ENGINEERING, INC. ALL RIGHTS RESERVED WWW.MKEC.COM. THESE DRAWINGS AND THEIR CONTENTS, INCLUDING, BUT NOT LIMITED TO, ALL CONCEPTS, DESIGNS, & IDEAS ARE THE EXCLUSIVE PROPERTY OF MKEC ENGINEERING, INC. (MKEC), AND MAY NOT BE USED OR REPRODUCED IN ANY WAY WITHOUT THE EXPRESS CONSENT OF MKEC.