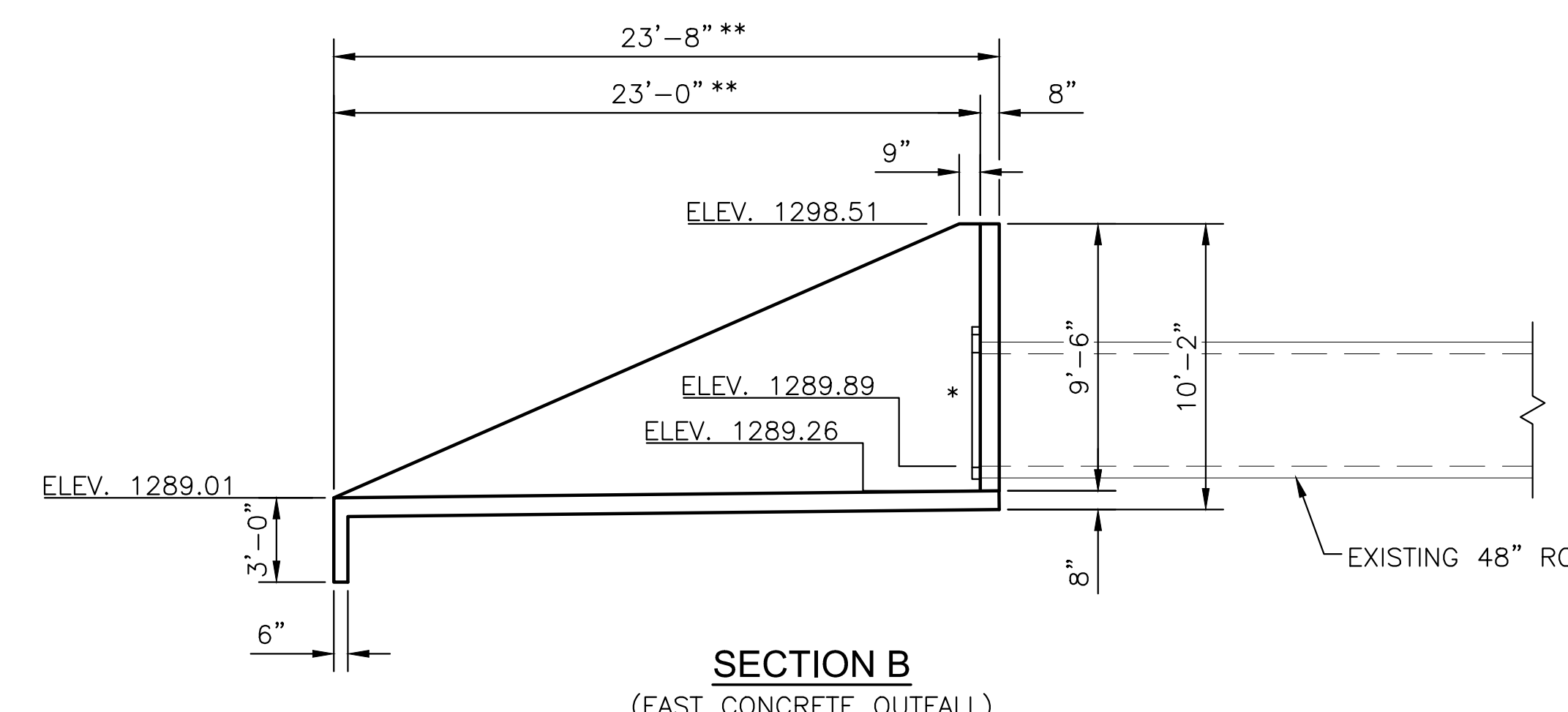
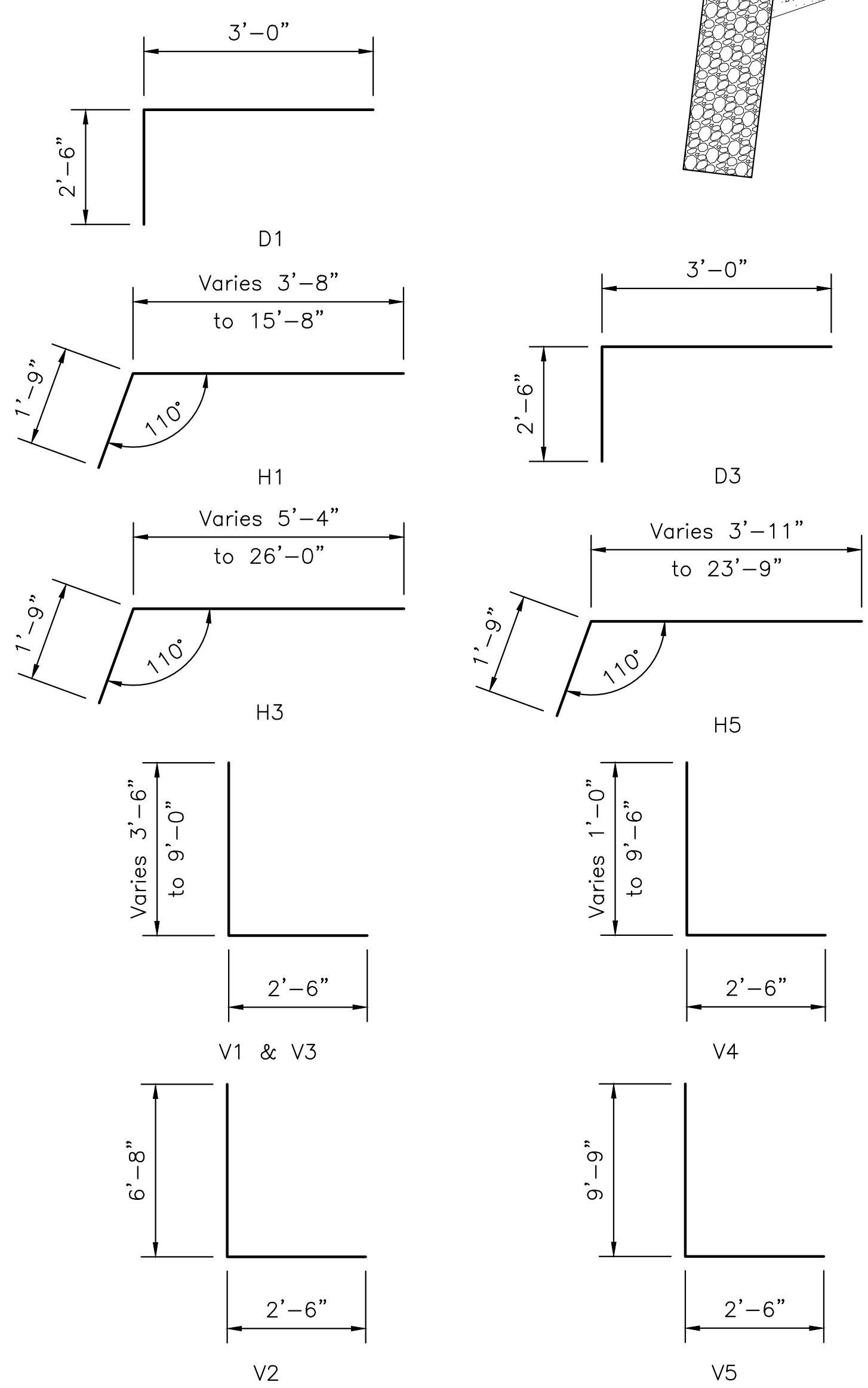
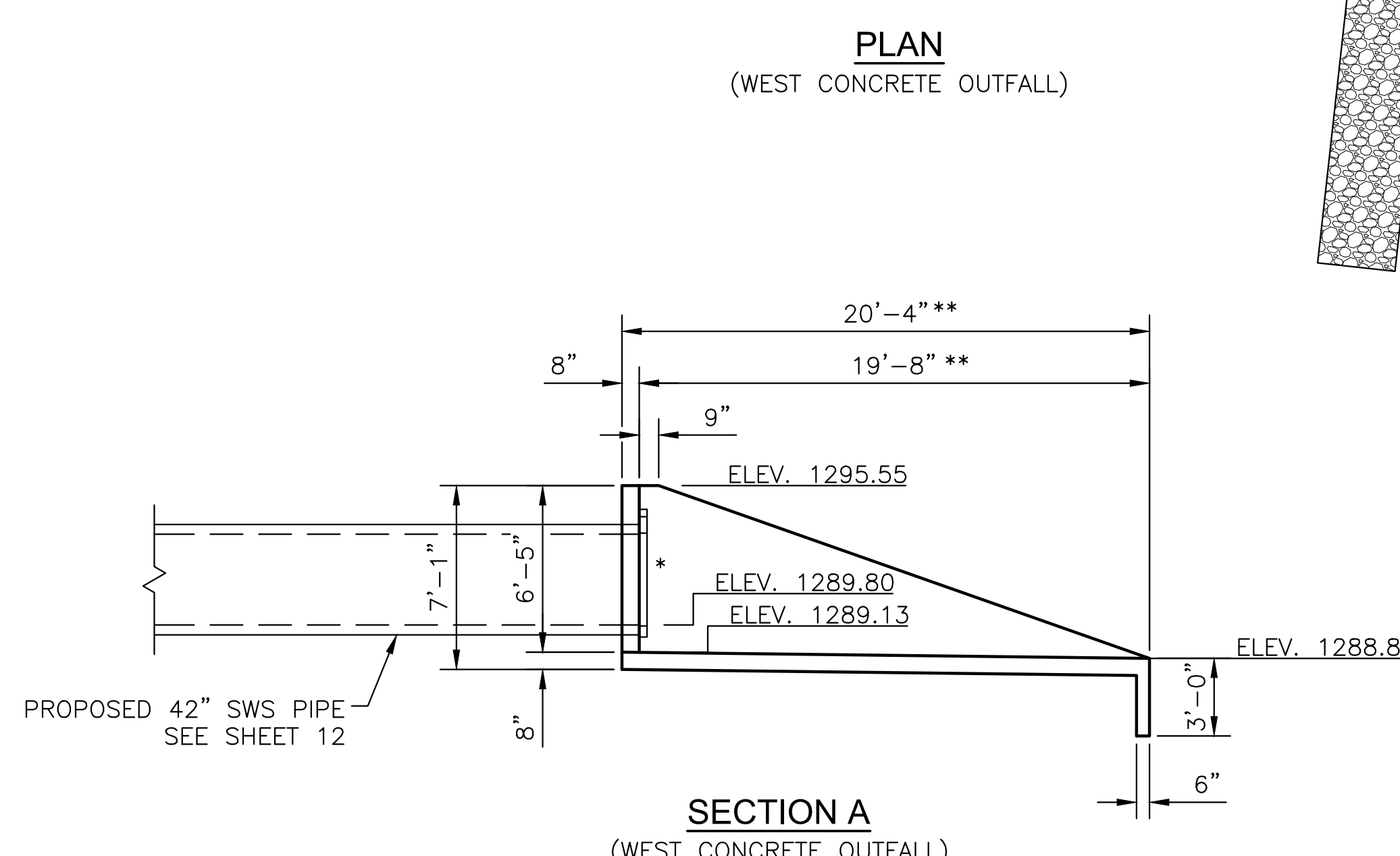
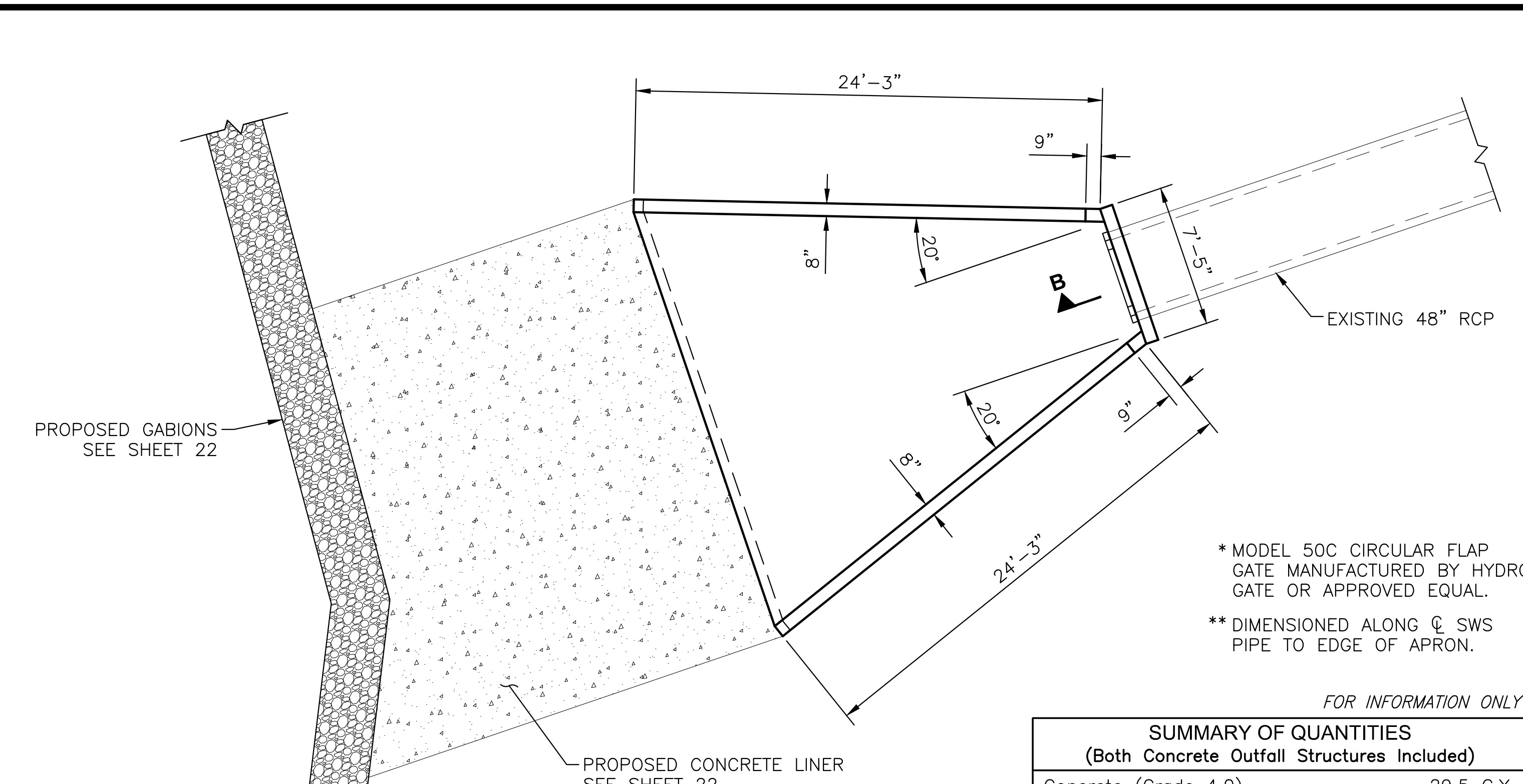
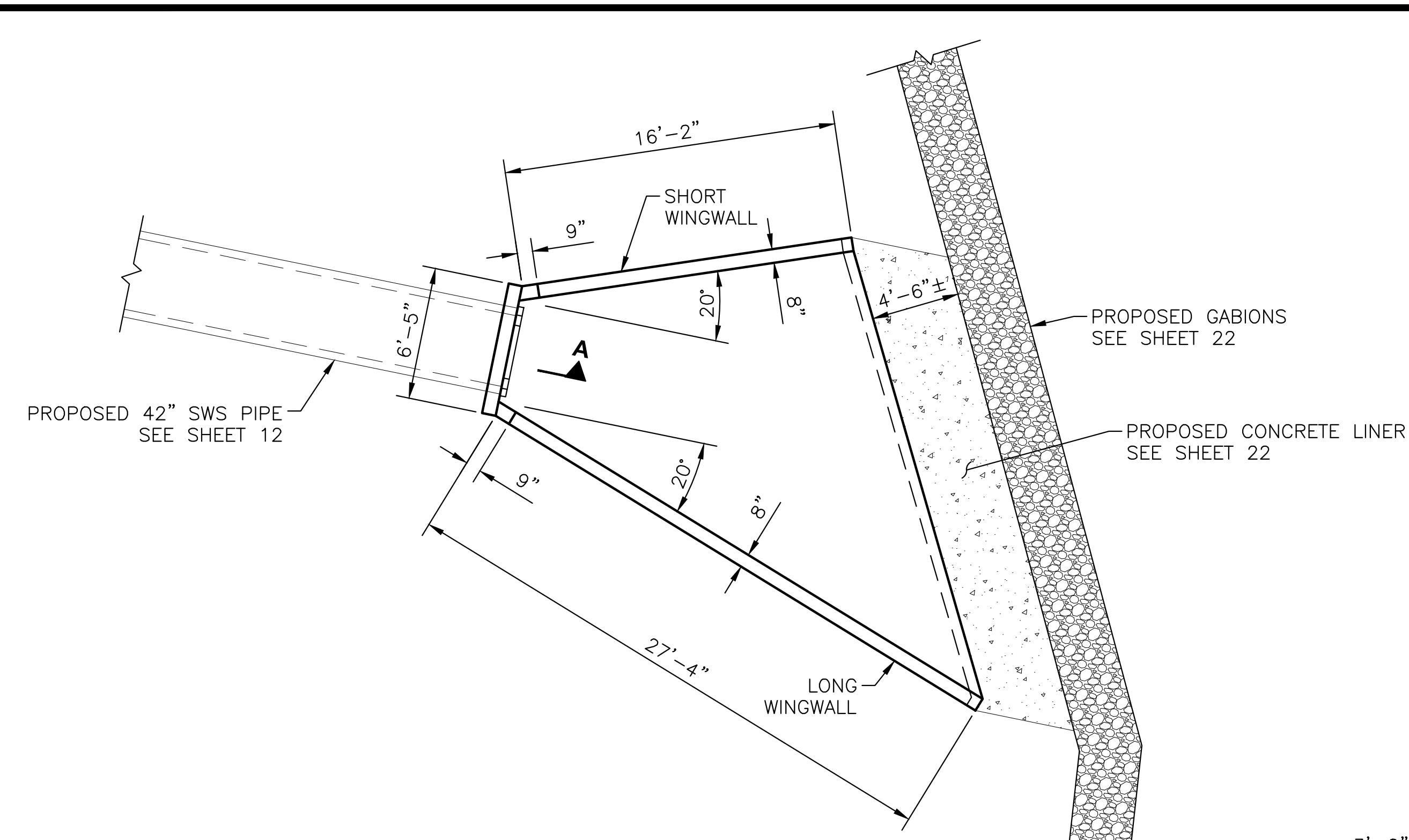


**IMPROVEMENT PLANS FOR**  
**15TH STREET BRIDGE OVER THE**  
**WICHITA DRAINAGE CANAL**  
 WICHITA, KS



FOR INFORMATION ONLY

SUMMARY OF QUANTITIES (Both Concrete Outfall Structures Included)	
Concrete (Grade 4.0)	29.5 C.Y.
Reinforcing Steel (Gr. 60)	3,020 Lbs.
Foundation Stabilization	13.7 C.Y.
Flap Gate, 42"	1 Ea.
Flap Gate, 48"	1 Ea.

FOR INFORMATION ONLY

BILL OF REINFORCING STEEL (West Concrete Outfall)									
Straight Bars				Bent Bars					
Mark	Size	No.	Length	Remarks	Mark	Size	No.	Length	Remarks
A1	#5	7	20'-0" Avg.	Varies 18'-6" to 21'-6"	D1	#5	20	5'-7"	
A2	#5	8	11'-3" Avg.	Varies 3'-6" to 19'-0"	H1	#4	6	11'-5" Avg.	Varies 5'-5" to 17'-5"
A3	#5	5	8'-5" Avg.	Varies 2'-0" to 14'-10"	H3	#4	6	17'-5" Avg.	Varies 7'-1" to 27'-9"
A4	#5	16	11'-4 1/2" Avg.	Varies 6'-1" to 16'-8"	V1	#5	14	6'-3" Avg.	Varies 3'-6" to 9'-0"
A5	#5	10	9'-2 1/2" Avg.	Varies 2'-3" to 16'-2"	V2	#5	2	9'-2"	
B1	#5	7	6'-9"		V3	#5	24	6'-3" Avg.	Varies 3'-6" to 9'-0"
B2	#5	11	6'-1"						
B3	#5	2	4'-8"						
B4	#5	2	2'-11"						
D2	#4	4	23'-6"	Field Bend					
H2	#4	1	15'-10"						
H4	#4	1	25'-11"						

FOR INFORMATION ONLY

BILL OF REINFORCING STEEL (East Concrete Outfall)									
Straight Bars					Bent Bars				
Mark	Size	No.	Length	Remarks	Mark	Size	No.	Length	Remarks
A5	#5	8	23'-4"		D3	#5	22	5'-7"	
A6	#5	14	12'-1" Avg.	Varies 3'-10" to 20'-4"	H5	#4	18	15'-7" Avg.	Varies 5'-8" to 25'-6"
A7	#5	23	15'-0" Avg.	Varies 7'-1" to 22'-11"	V4	#5	44	7'-9" Avg.	Varies 3'-6" to 12'-0"
B5	#5	8	9'-10"		V5	#5	2	12'-3"	
B6	#5	13	7'-1"						
B7	#5	2	5'-4"						
B8	#5	2	3'-8"						
D4	#4	4	23'-7"						
H6	#4	2	24'-6"						

©2025 MKEC ENGINEERING, INC. ALL RIGHTS RESERVED WWW.MKEC.COM. THESE DRAWINGS AND THEIR CONTENTS, INCLUDING, BUT NOT LIMITED TO, ALL CONCEPTS, DESIGNS, & DETAILS ARE THE EXCLUSIVE PROPERTY OF MKEC ENGINEERING, INC. (MKEC), AND MAY NOT BE USED OR REPRODUCED IN ANY WAY WITHOUT THE EXPRESS CONSENT OF MKEC.

**CONCRETE OUTFALL DETAILS**

PROJECT NO.	472-2023-085864		
SCALE	NTS		
DRAWN	DESIGNED	CHECKED	
RAM	DMU	JRA	
ISSUED FOR CONSTRUCTION	8-1-2025		
NO.	REVISION	DATE	
SHEET NO. 25 OF 114			