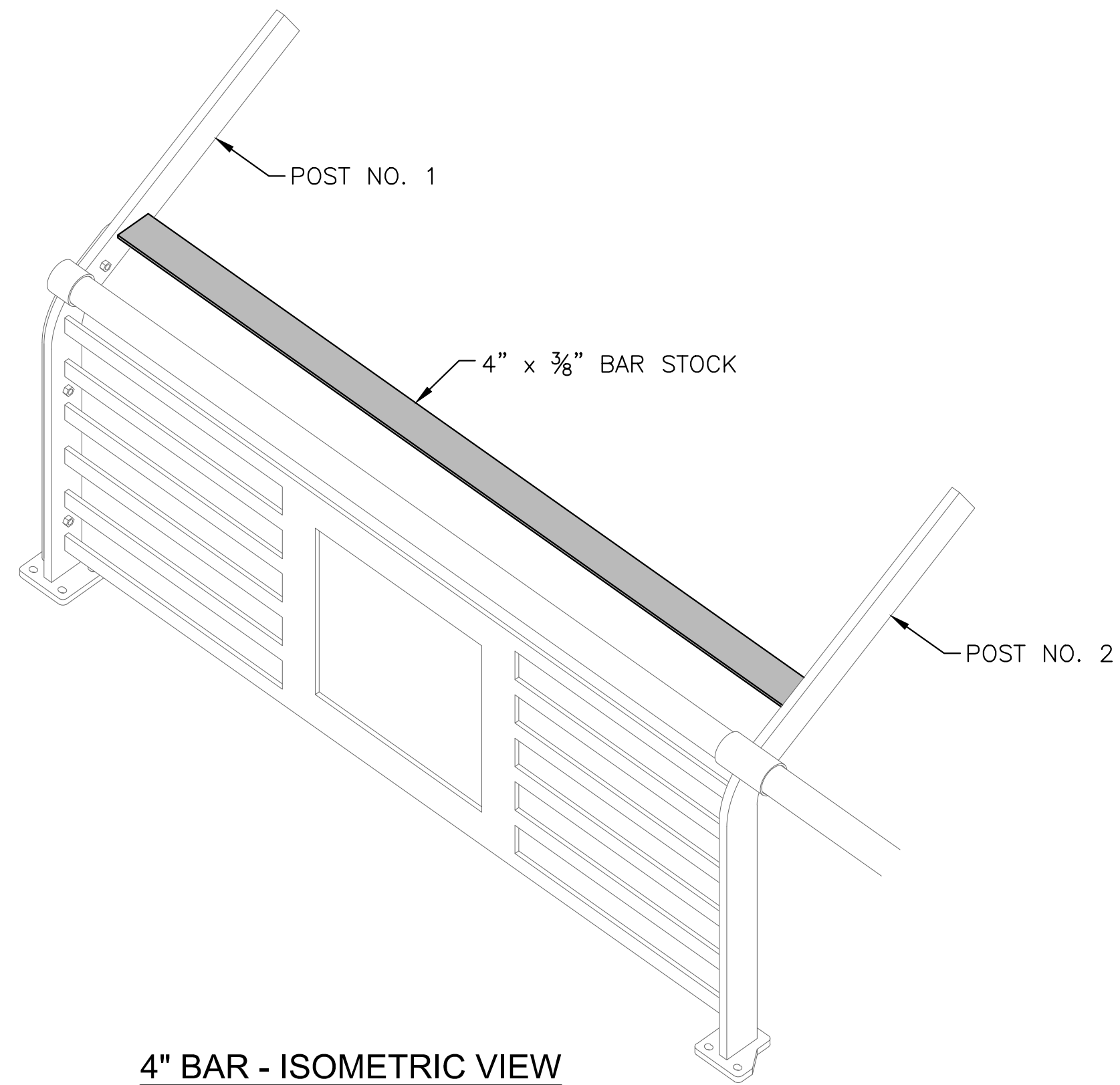
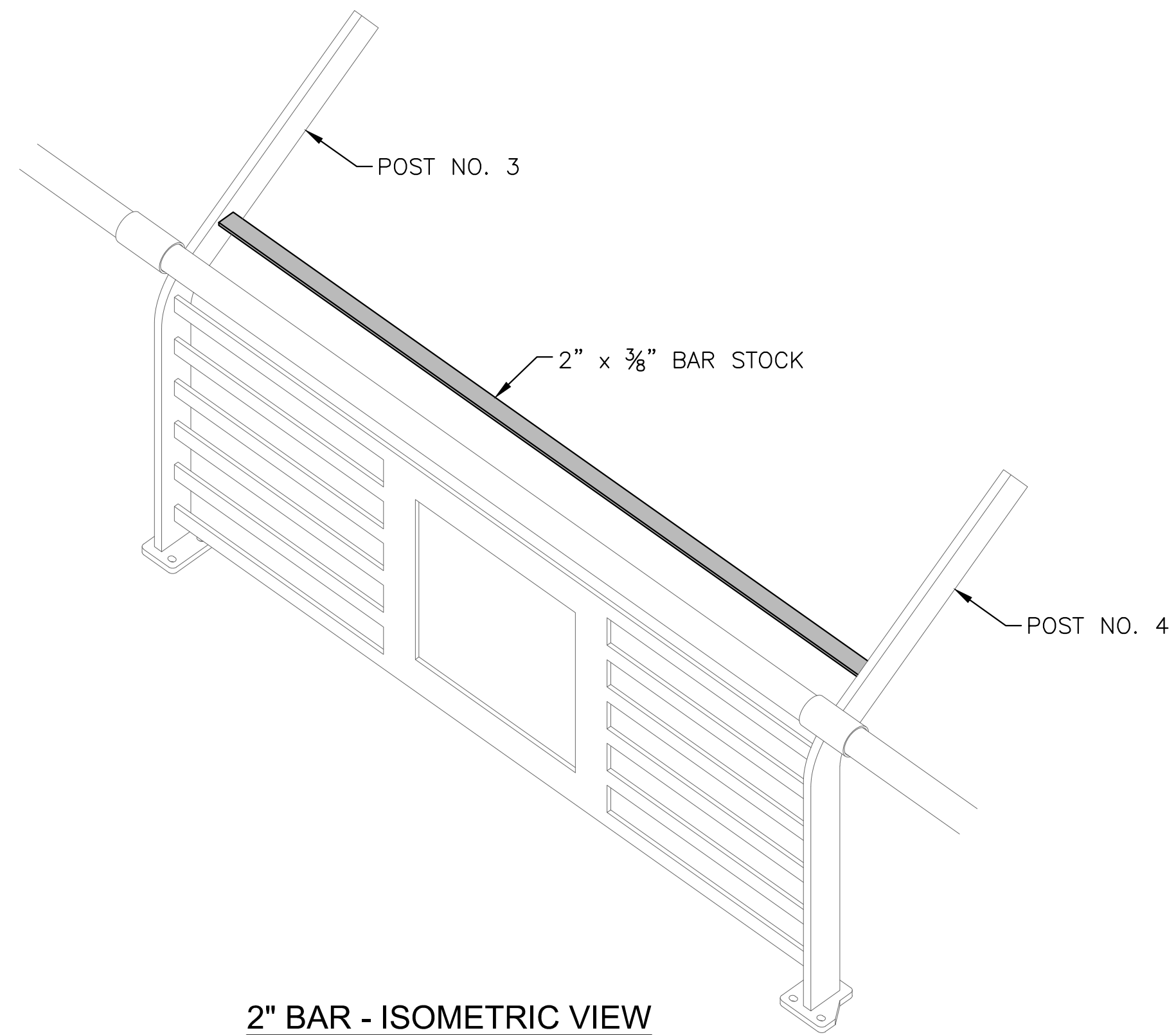


PLOTTED: Friday, August 01, 2025 @ 02:50PM

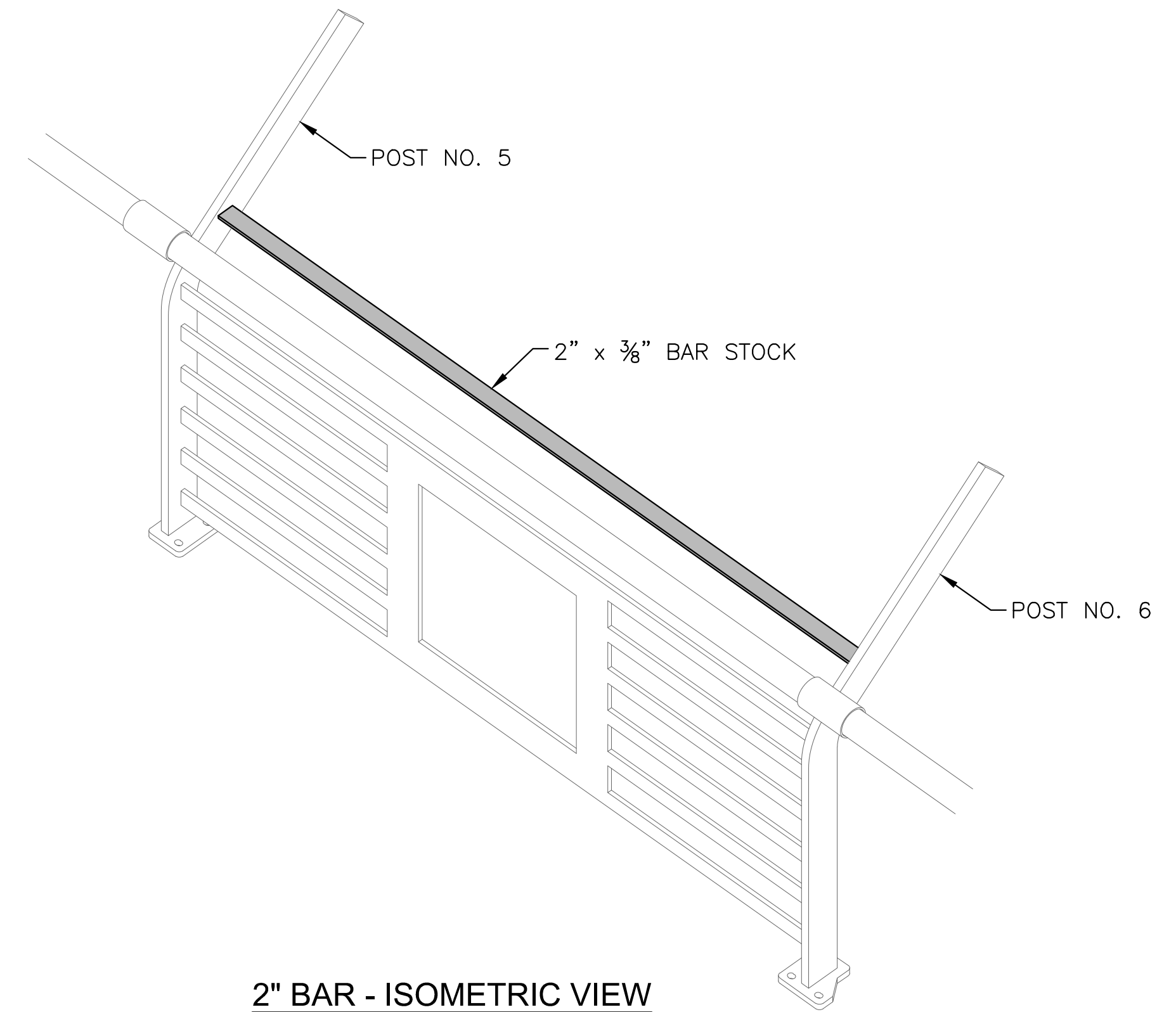
J:\PROJECTS\2023\20230810\10431_COW_WDC_BRIDGE REPLACEMENT AT 15TH STREET\100_230431_CAD\SHOTS\06_CIVIL\BRIDGE\BRIDGE RAIL\20431_MISC BAR STOCK DETAILS.DWG



4" BAR - ISOMETRIC VIEW
(ASSEMBLY A SHOWN. ASSEMBLY P, W, & X SIMILAR)

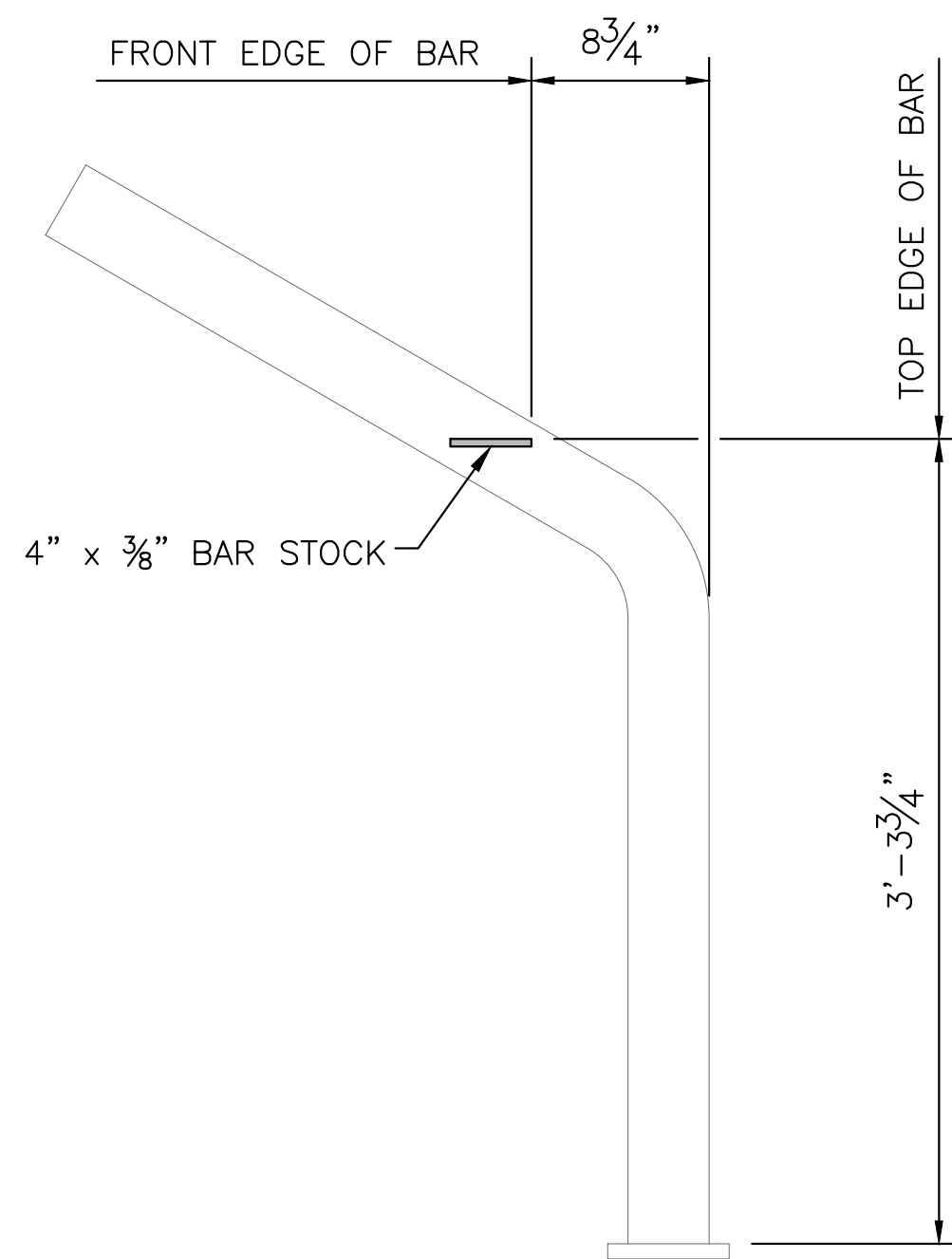


2" BAR - ISOMETRIC VIEW
(ASSEMBLY B SHOWN. ASSEMBLY O SIMILAR)

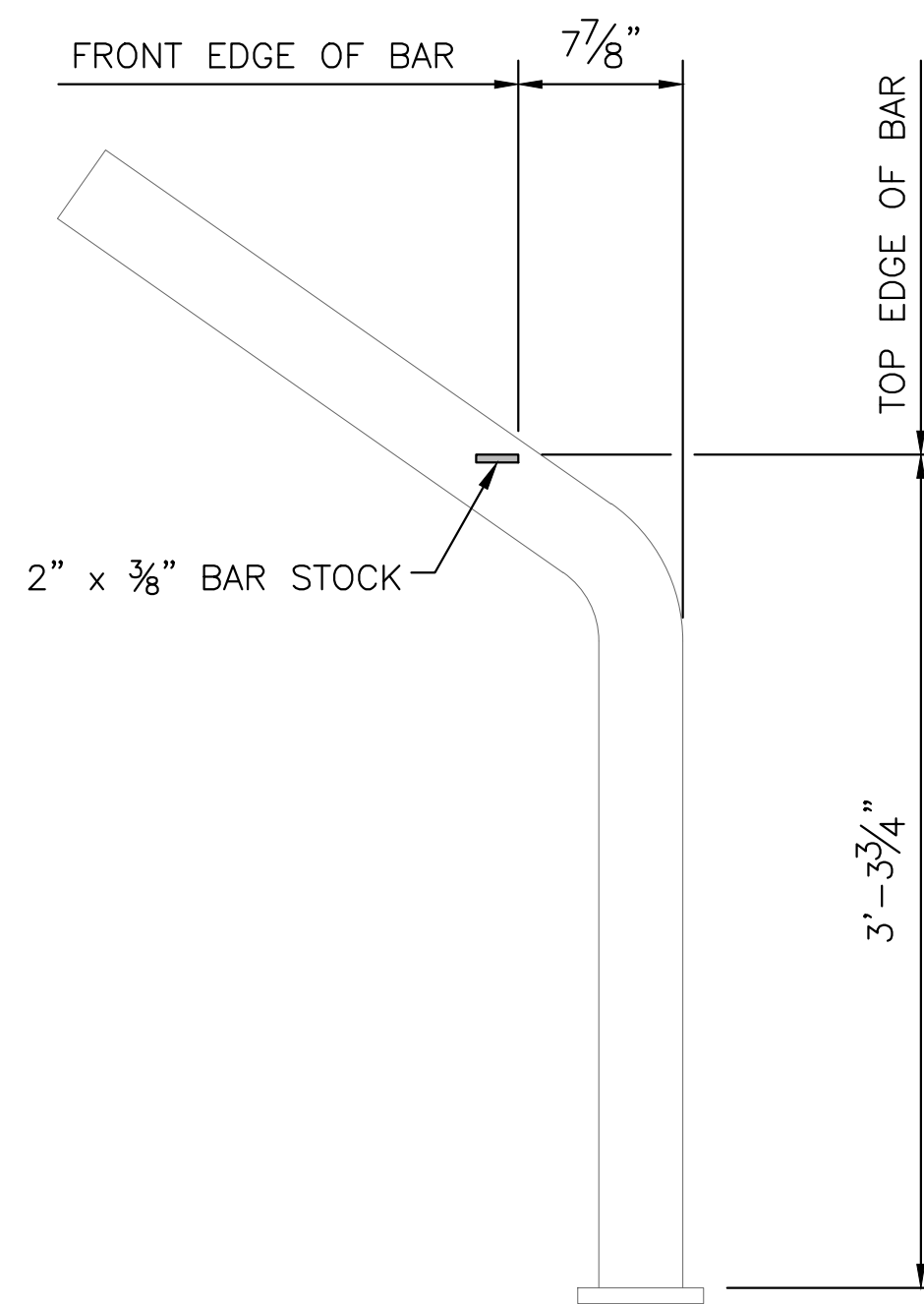


2" BAR - ISOMETRIC VIEW
(ASSEMBLY C SHOWN. ASSEMBLY N SIMILAR)

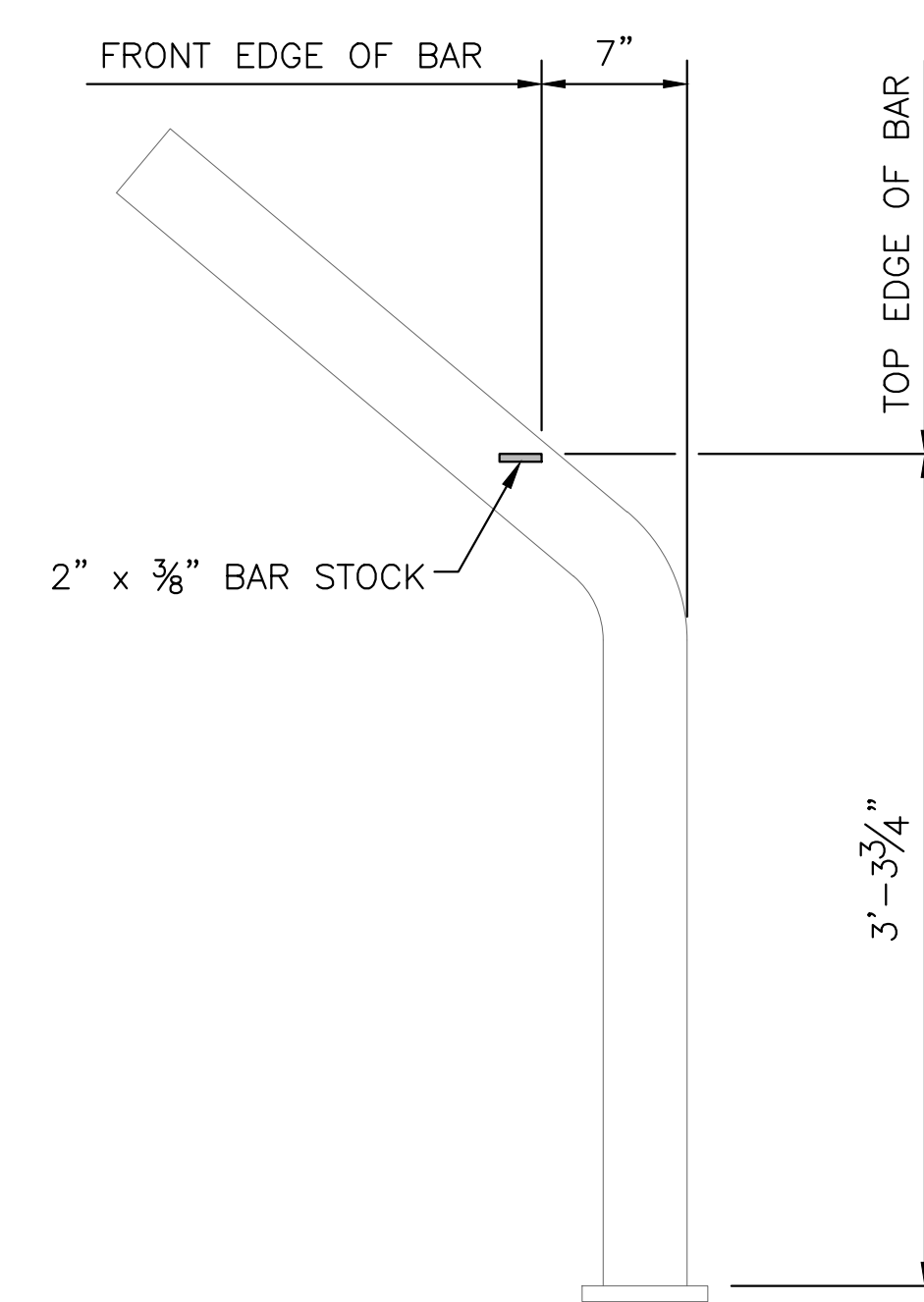
NOTE:
4" & 2" BAR STOCK LENGTHS AND WELDS IDENTICAL TO THOSE SHOWN FOR STANDARD PANELS. SEE SHEET 63.



60A RAIL POST
(APPLIES TO POST NO. 1, 2, 27, 28, 36, & 37)



55B RAIL POST
(APPLIES TO POST NO. 3, 4, 25, & 26)



50C RAIL POST
(APPLIES TO POST NO. 5, 6, 23, & 24)

IMPROVEMENT PLANS FOR
15TH STREET BRIDGE OVER THE WICHITA DRAINAGE CANAL
WICHITA, KS

STANDARD PANEL
BAR DETAILS

PROJECT NO.
472-2023-085864

SCALE
NTS

DRAWN	DESIGNED	CHECKED
RAM	DMU	DMU

0	ISSUED FOR CONSTRUCTION	8-1-2025
NO.	REVISION	DATE

SHEET NO.
64 OF 114

©2025 MKEC ENGINEERING, INC. ALL RIGHTS RESERVED WWW.MKEC.COM THESE DRAWINGS AND THEIR CONTENTS, INCLUDING, BUT NOT LIMITED TO, ALL CONCEPTS, DESIGNS, & DETAILS ARE THE EXCLUSIVE PROPERTY OF MKEC ENGINEERING, INC. (MKEC), AND MAY NOT BE USED OR REPRODUCED IN ANY WAY WITHOUT THE EXPRESS CONSENT OF MKEC.