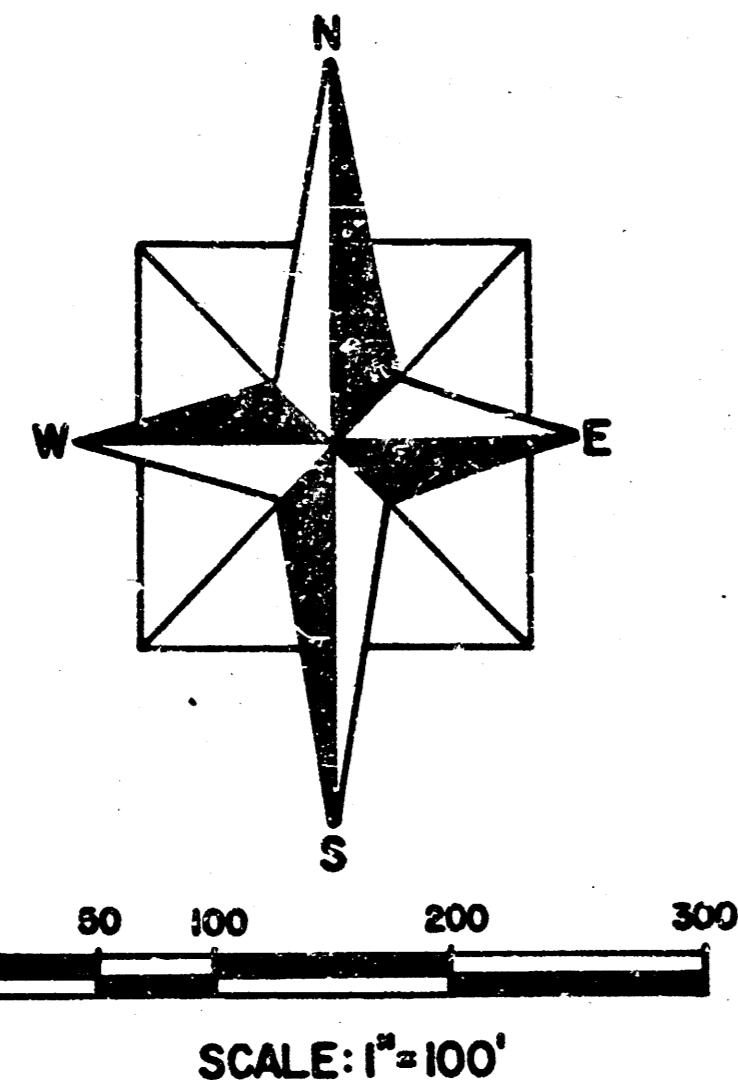


SILVER SPRINGS

LOT 2, BLOCK 1, SILVER SPRINGS
 AN ADDITION TO THE CITY OF WICHITA, KANSAS
INTERIM DECELERATION LANE & MAJOR ENTRANCE ON RIDGE ROAD

PROJECT # 472-76-245-80000-000-000-008



OWNER :
FLOYD R. HARDESTY
 4606 SOUTH GARNETT
 TULSA, OKLAHOMA
 74145
 PHONE: 622-3600

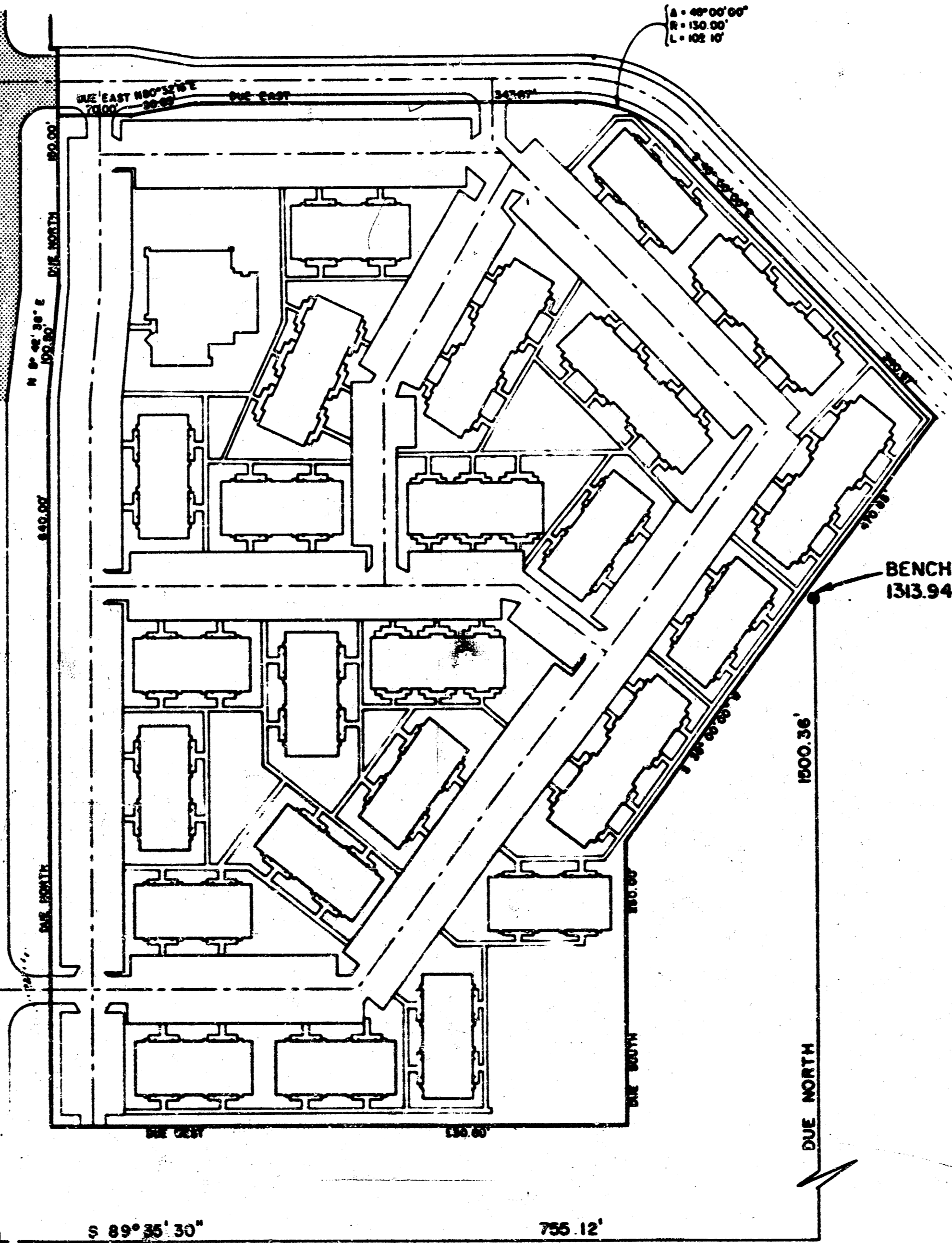
GENERAL NOTES

ALL CONSTRUCTION TO BE IN STRICT ACCORDANCE WITH CITY OF WICHITA SPECIFICATION
 EXISTING UNDERGROUND LINES HAVE BEEN SHOWN TO THE EXTENT KNOWN AND LOCATIONS ARE APPROXIMATE, THE EXACT LOCATIONS AND NOTIFICATION OF THE PROPER AGENCY IS THE RESPONSIBILITY OF THE CONTRACTOR PRIOR TO ANY EXCAVATION.

LEGEND

- PROPOSED STORM SEWER
- PROPOSED MANHOLE
- PROPOSED INLET
- DRAINAGE AREA LIMITS
- SANITARY SEWER EASEMENT
- STORM SEWER EASEMENT
- UTILITY EASEMENT
- DRAINAGE EASEMENT
- EXISTING GROUND CONTOUR
- PROPOSED FINISHED CONTOUR

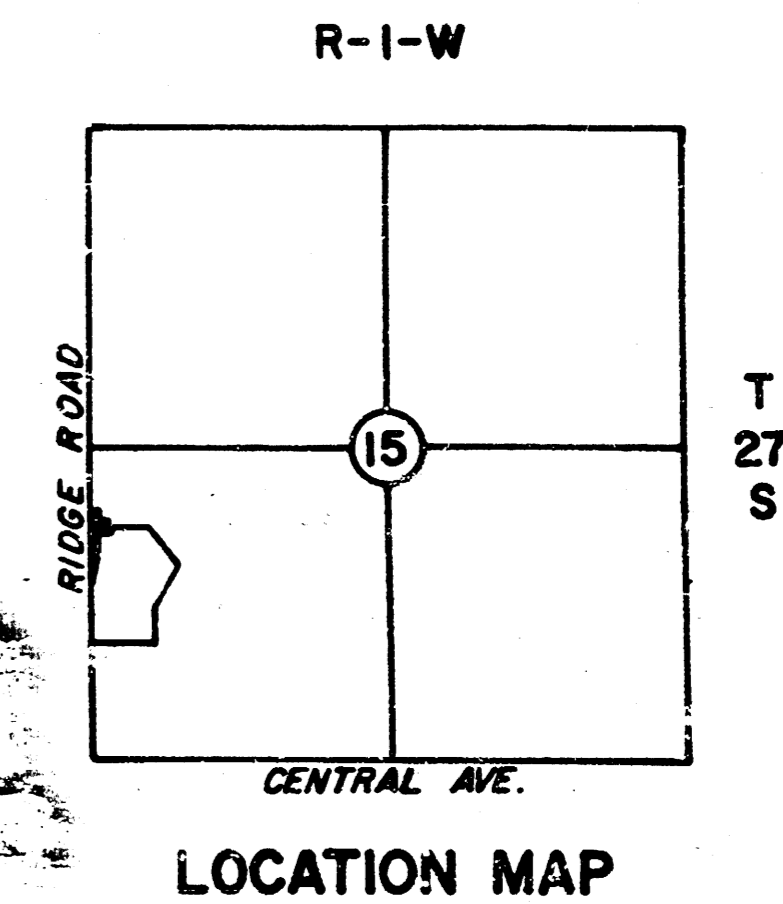
SOUTHWEST CORNER OF SW/4 OF SECTION 15, T-27-S, R-1-W.



BENCHMARK: APPROXIMATELY 755.12 FEET EAST AND 1500.36 FEET NORTH OF THE SOUTHWEST CORNER OF THE SW/4 OF SECTION 15, T-27-S R-1-W.

ALC. YOUNG & ASSOCIATES
 OF TULSA, INC.

CONSULTING ENGINEERING • PLANNING • ENVIRONMENTAL ANALYSIS



LOCATION MAP

3-23-84
 APPROVED AS NOTED
 By CITY ENGINEER OF WICHITA
 Sanitary Sewers
 Storm Sewers
 Driveways/Approaches *[Signature]*

NOTE TO CONTRACTOR

This project will be constructed under the supervision of the CITY ENGINEER and conforming to the SPECIFICATIONS of the CITY OF WICHITA. The CONTRACTOR will prepay the City of Wichita for all costs of inspection.

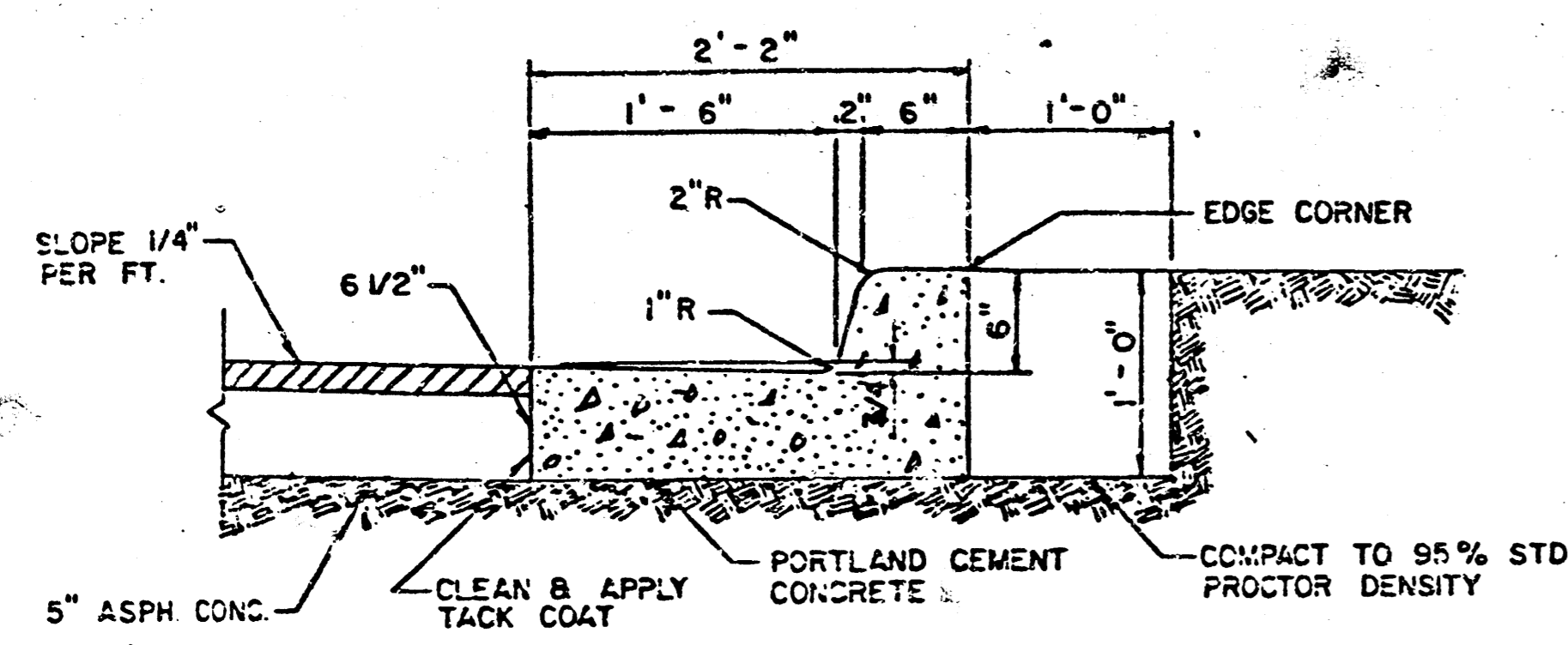
INDEX

SHEET NO.	DESCRIPTION
1	TITLE SHEET
2	DECEL LANE PLAN
3	ENTRY & DECEL LANE PLAN

[Signature]
 ALC. YOUNG & ASSOCIATES

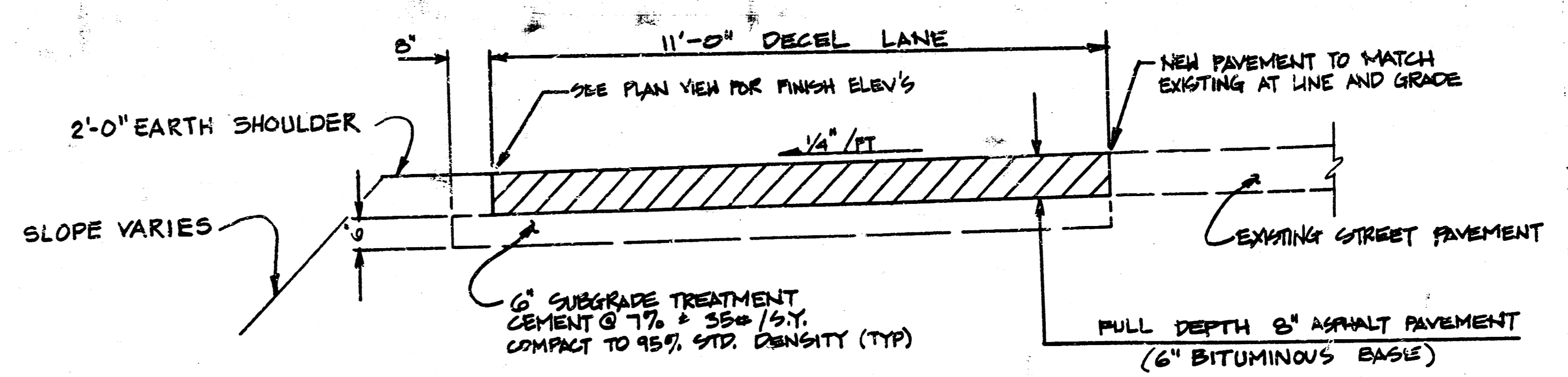
CITY OF WICHITA, KANSAS	
ALC. YOUNG & ASSOCIATES	
200 S. PEORIA • TULSA, OKLA. 74102 • 918/383-4181	
FILE: 4337	DATE: 3
ATLAS PAGE NO:	SHEET 1 OF 3 SHEETS

PLANS SCALE	1"=100'
PROFILE SCALE	1"=10'
VERTICAL	1"=10'
APPROVED FOR CONSTRUCTION	<input type="checkbox"/>
NOT APPROVED FOR CONSTRUCTION	<input type="checkbox"/>

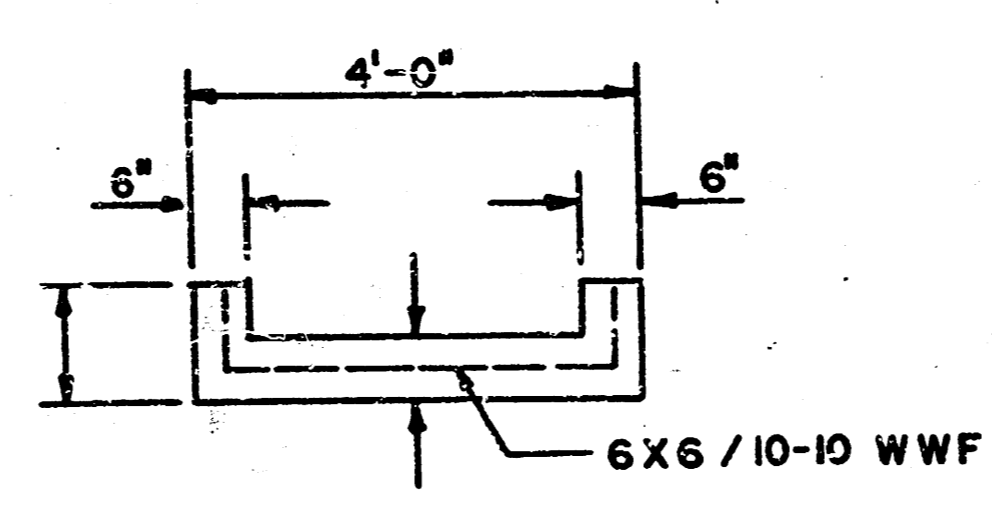
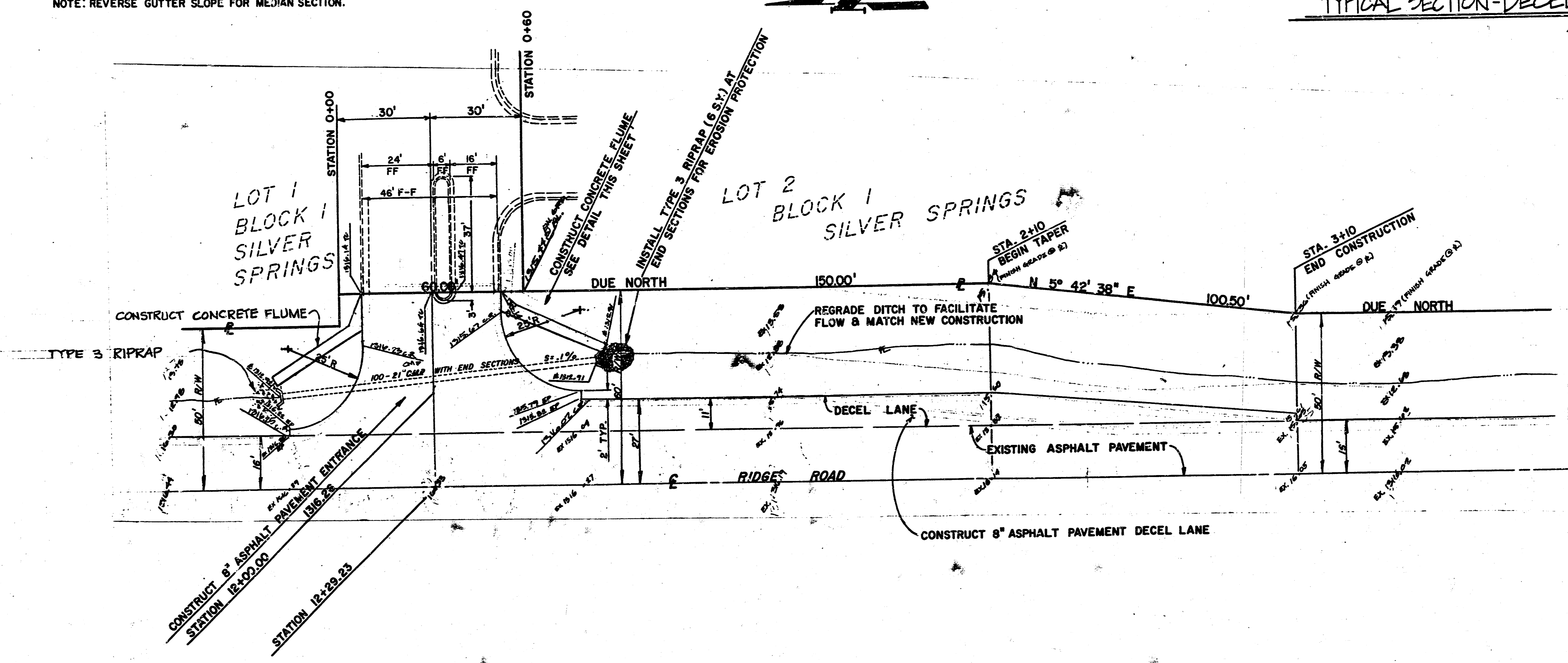


COMBINED CURB AND GUTTER
SCALE: 1"=1'

NOTE: REVERSE GUTTER SLOPE FOR MEDIAN SECTION.

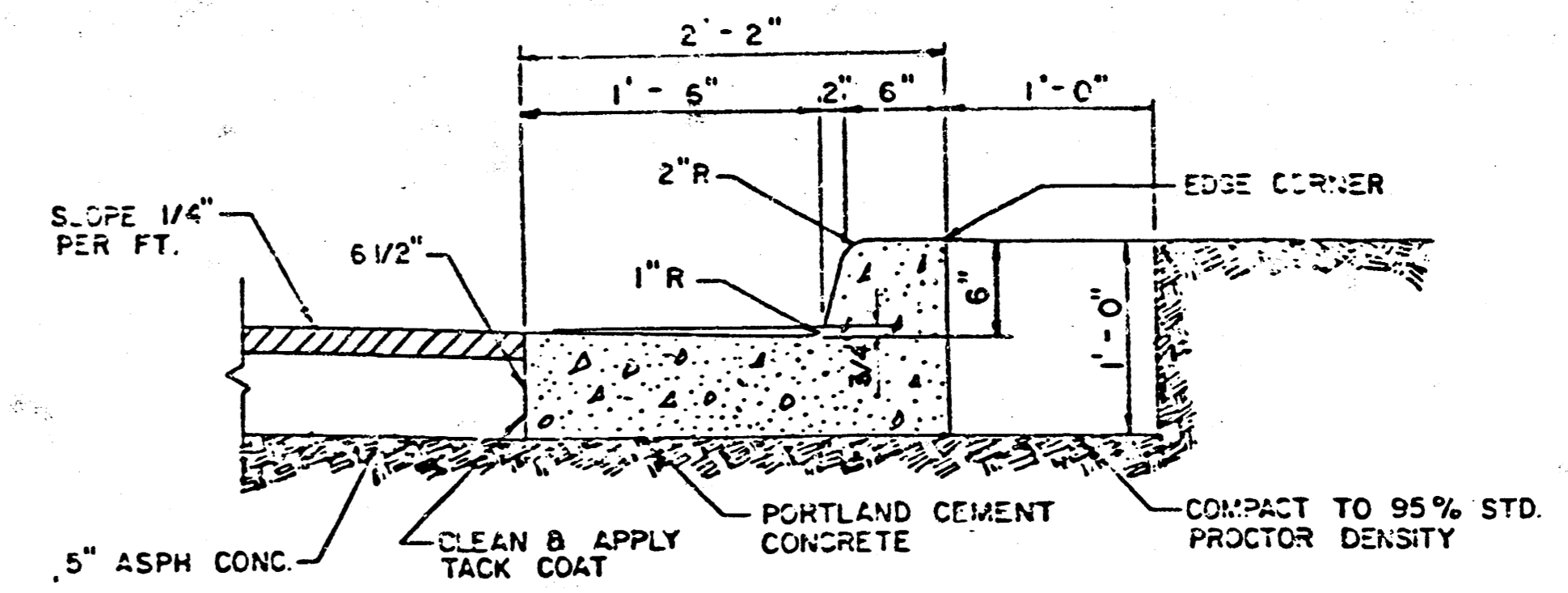


TYPICAL SECTION-DECEL LANE
1/4"=1'-0"



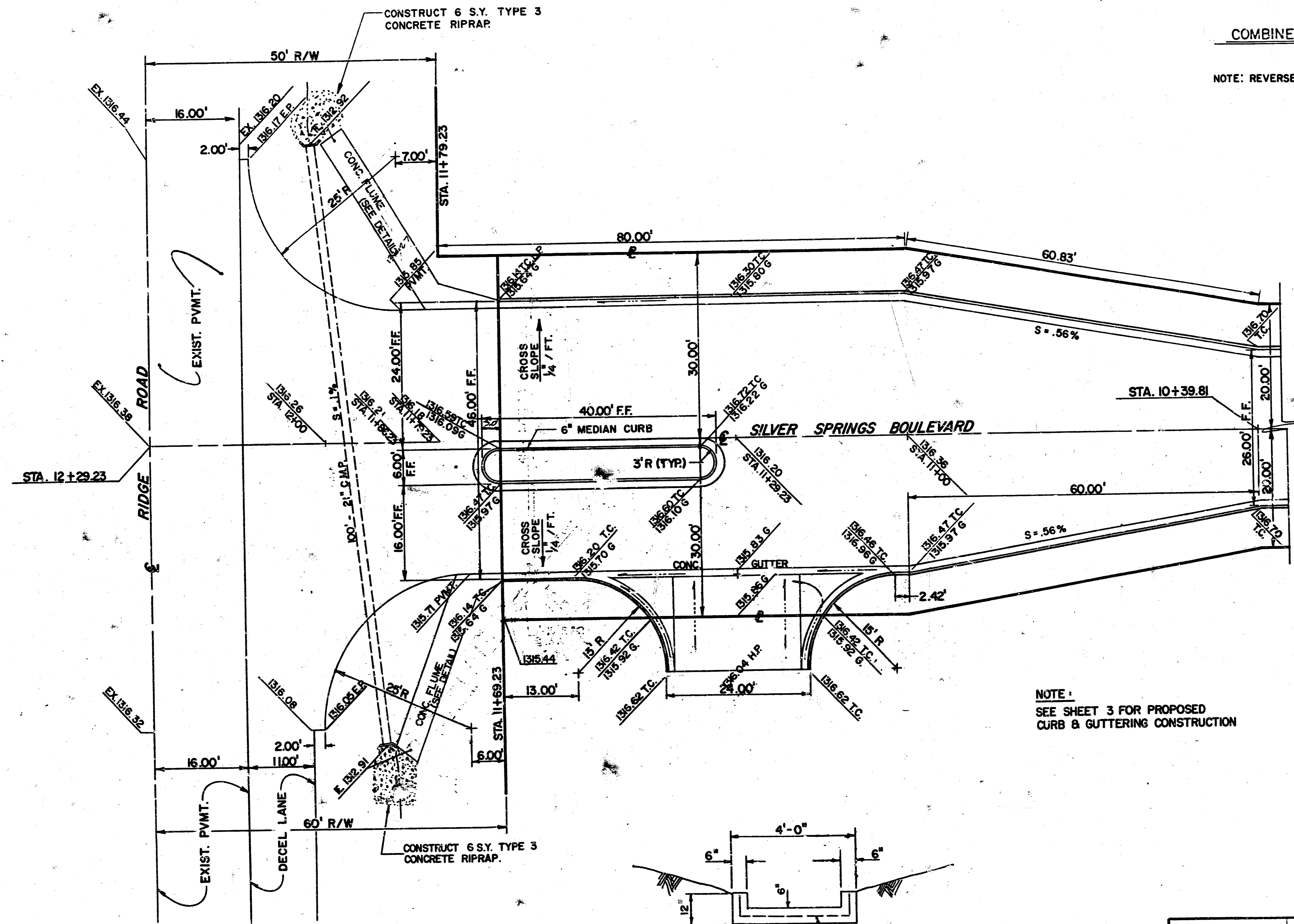
CONCRETE FLUME DETAIL
SCALE: 1"=2'-0"

CITY OF WICHITA, KANSAS H. C. YOUNG & ASSOCIATES <small>INCORPORATED</small> <small>1001 SOUTH MAIN ST. WICHITA, KANSAS 67202</small>		DRAWN: S. DAVIS DESIGNED: T.A.S.	APPROVED:
		PROJECT: DECEL LANE LOCATION: SILVER SPRINGS	SHEET NO. 2 OF 3
REVISION:	BY:	DATE:	FILE: 4337 DRAWING NO.
ATLAS ROADWAY		SHEET 2 OF 3 SHEETS	

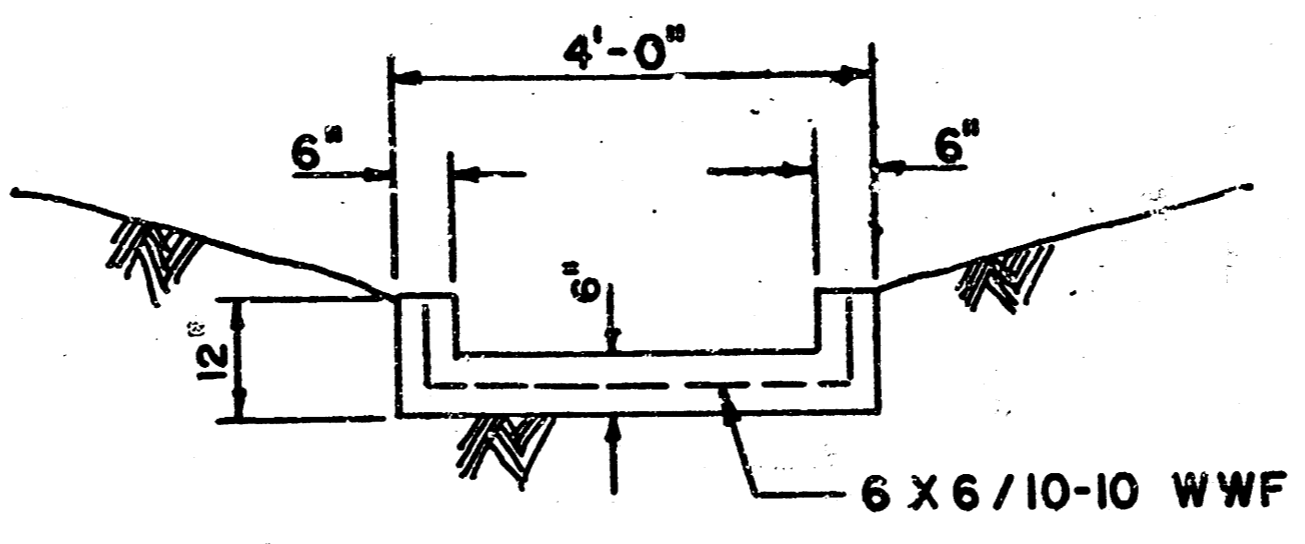


COMBINED CURB AND GUTTER
SCALE: 1"=1'

NOTE: REVERSE GUTTER SLOPE FOR MEDIAN SECTION.



NOTE:
SEE SHEET 3 FOR PROPOSED
CURB & GUTTERING CONSTRUCTION



CONCRETE FLUME DETAIL
SCALE: 1"=2'-0"

CITY OF WICHITA, KANSAS			
R. C. YOUNG & ASSOCIATES			
800 S. PEORIA • TULSA, OKLA. 74120 • 918/583-4181			
DESIGNED	E. A. P.	APPROVED	
DRAWN	C. DAVIS	CHECKED	
PROJECT	SILVER SPRINGS	DATE	3/8/83
DESCRIPTION	DECEL LANE, ENTRY	SCALE	
DATE			
FILE	ATLAS		
DRAWING			
DATE			
ATLAS			