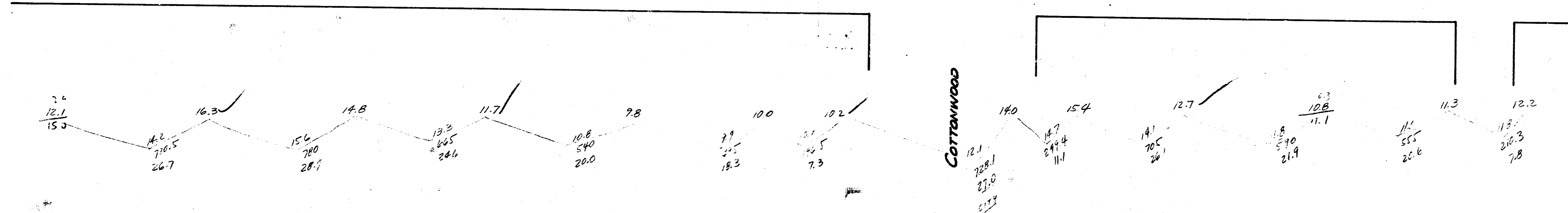
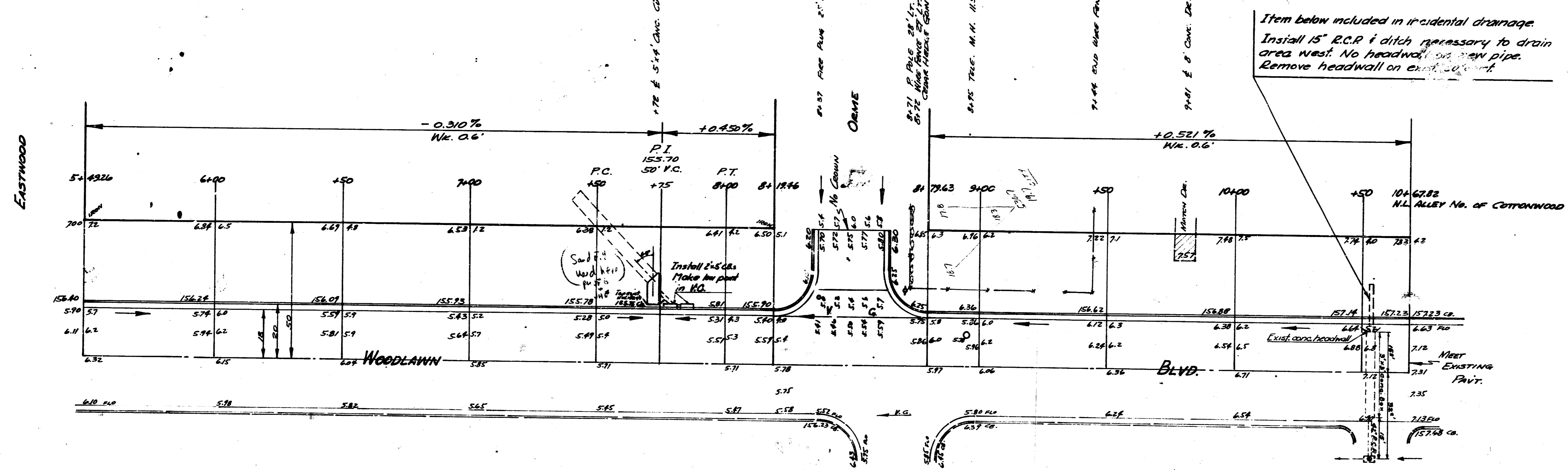
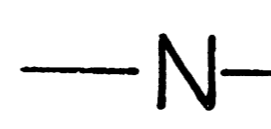
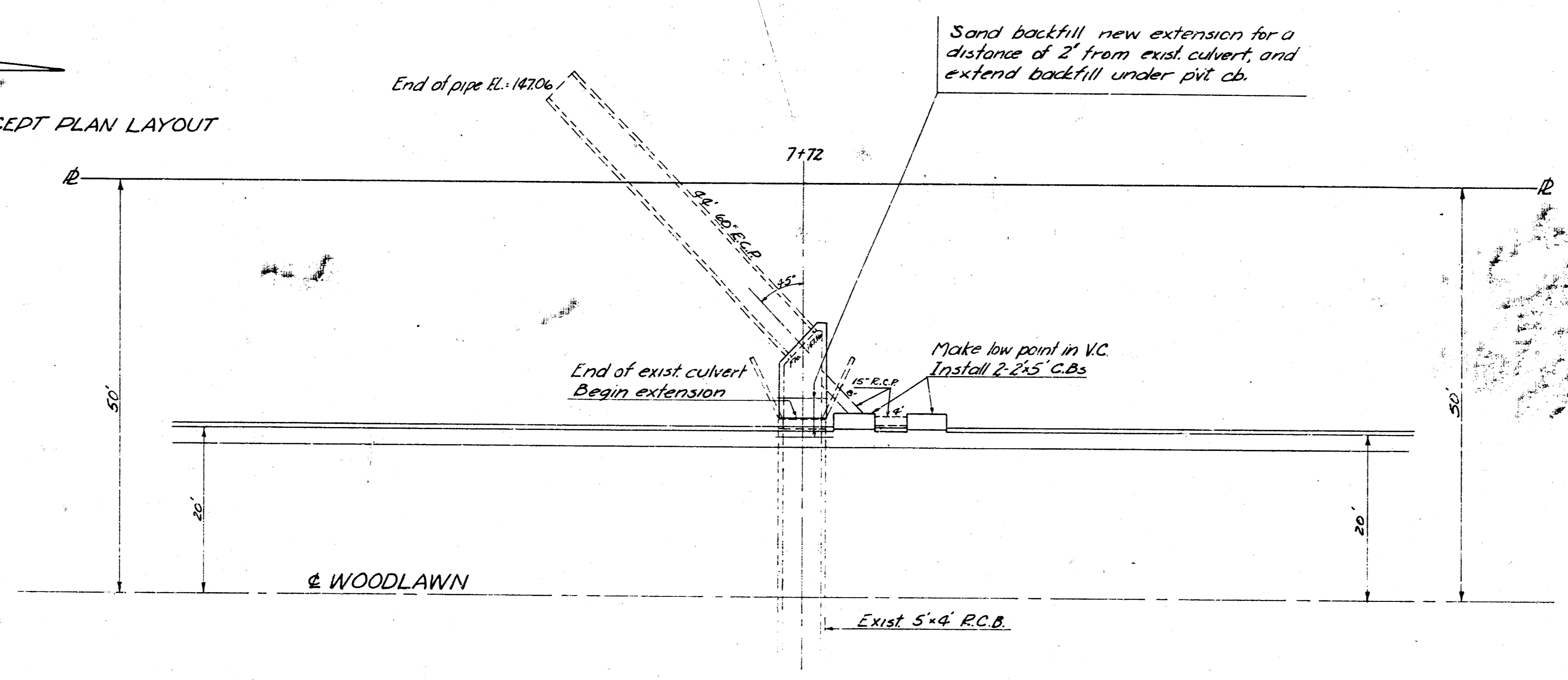


B.M. 159.78 S.W. COR. CONC. PAVCH No. 710 S. WOODLAWN
 B.M. 157.47 "X" IN E. CB. WOODLAWN 26' S. OF N.L. EASTWING ADJ.



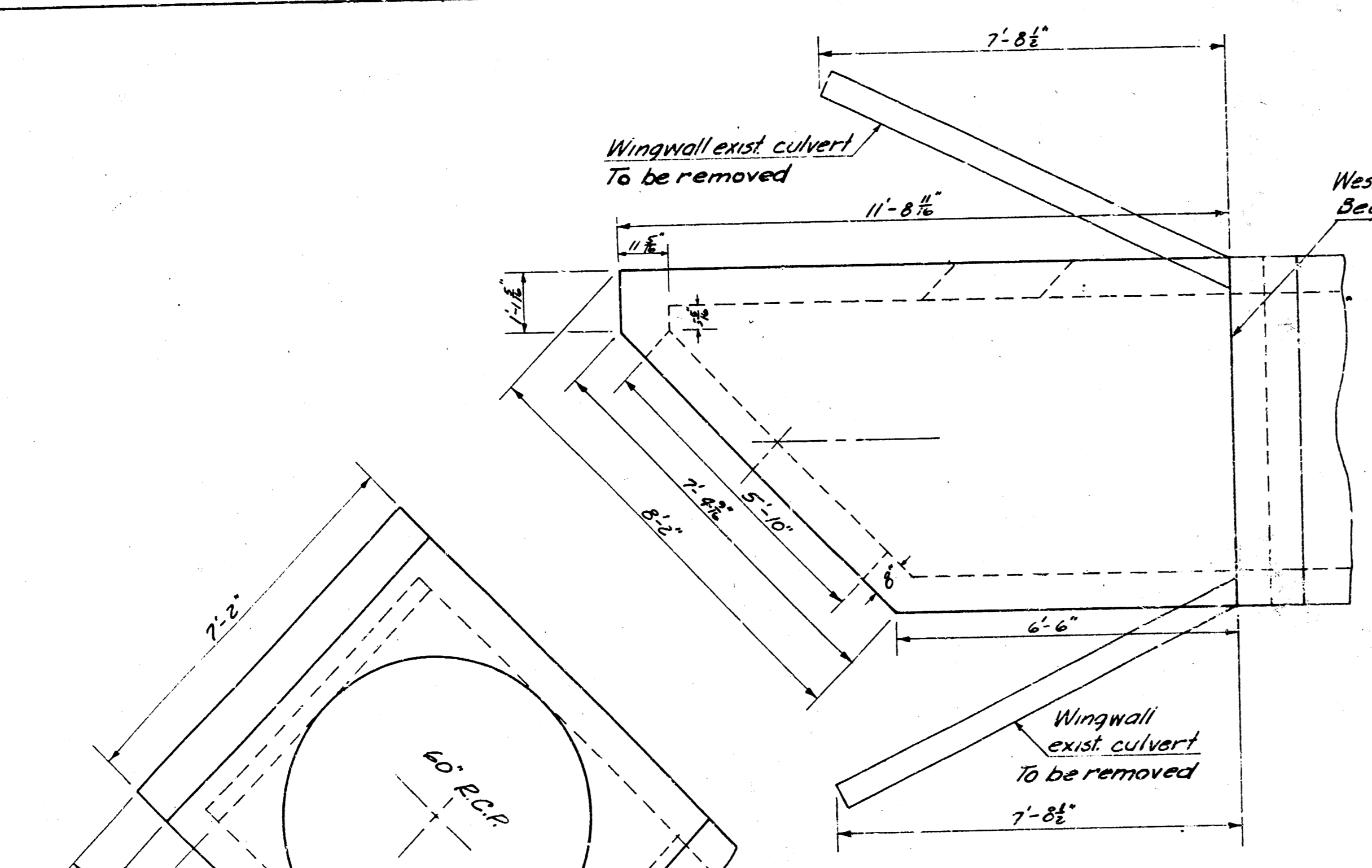
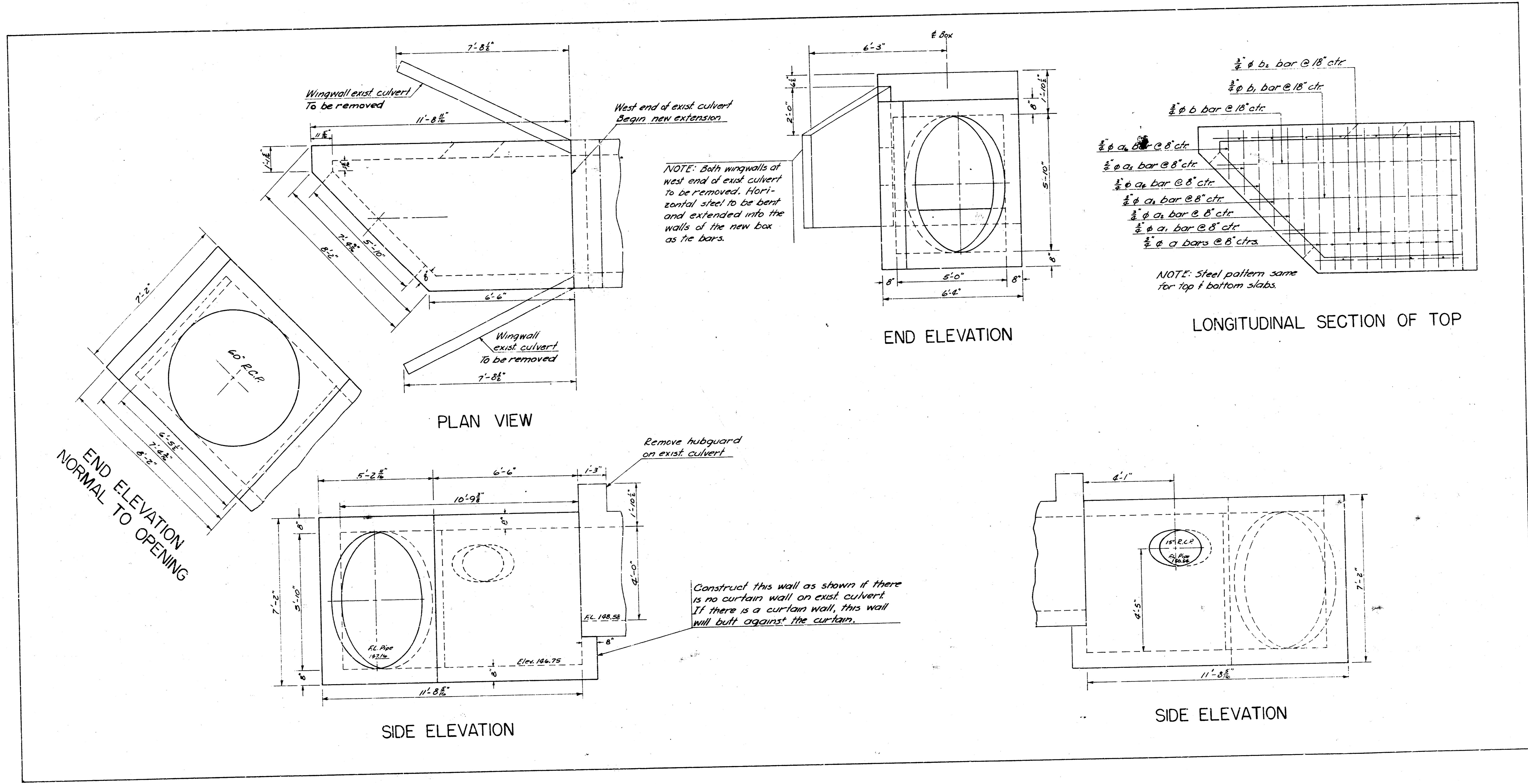
REINFORCED CONCRETE BOX EXTENSION
W.S. WOODLAWN

SCALE: 1" = 2'-0" ALL VIEWS EXCEPT PLAN LAYOUT

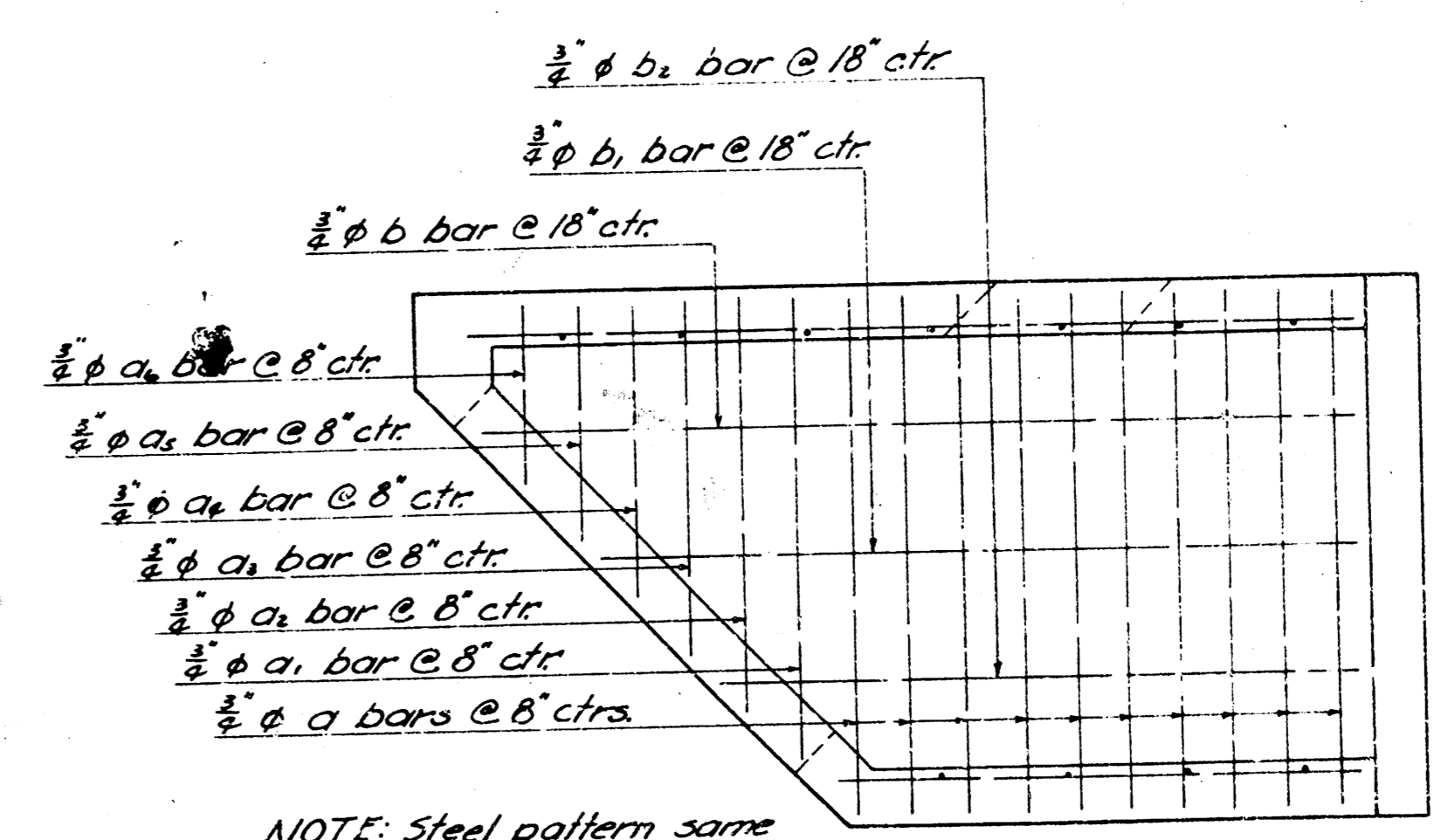
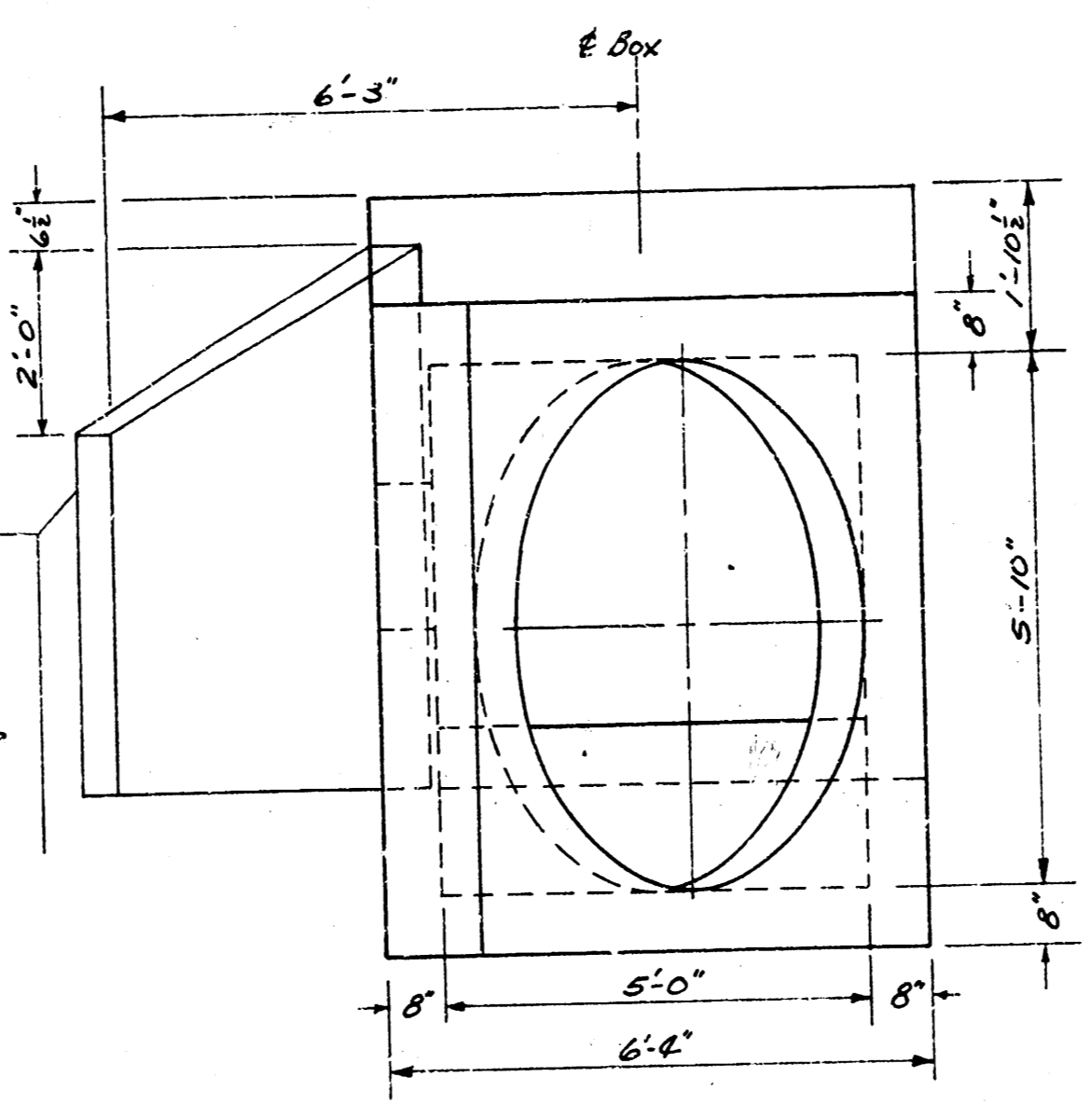


PLAN LAYOUT
SCALE: 1" = 10'

INCIDENTAL DRAINAGE
WOODLAWN BLVD.
PROJ C12-50

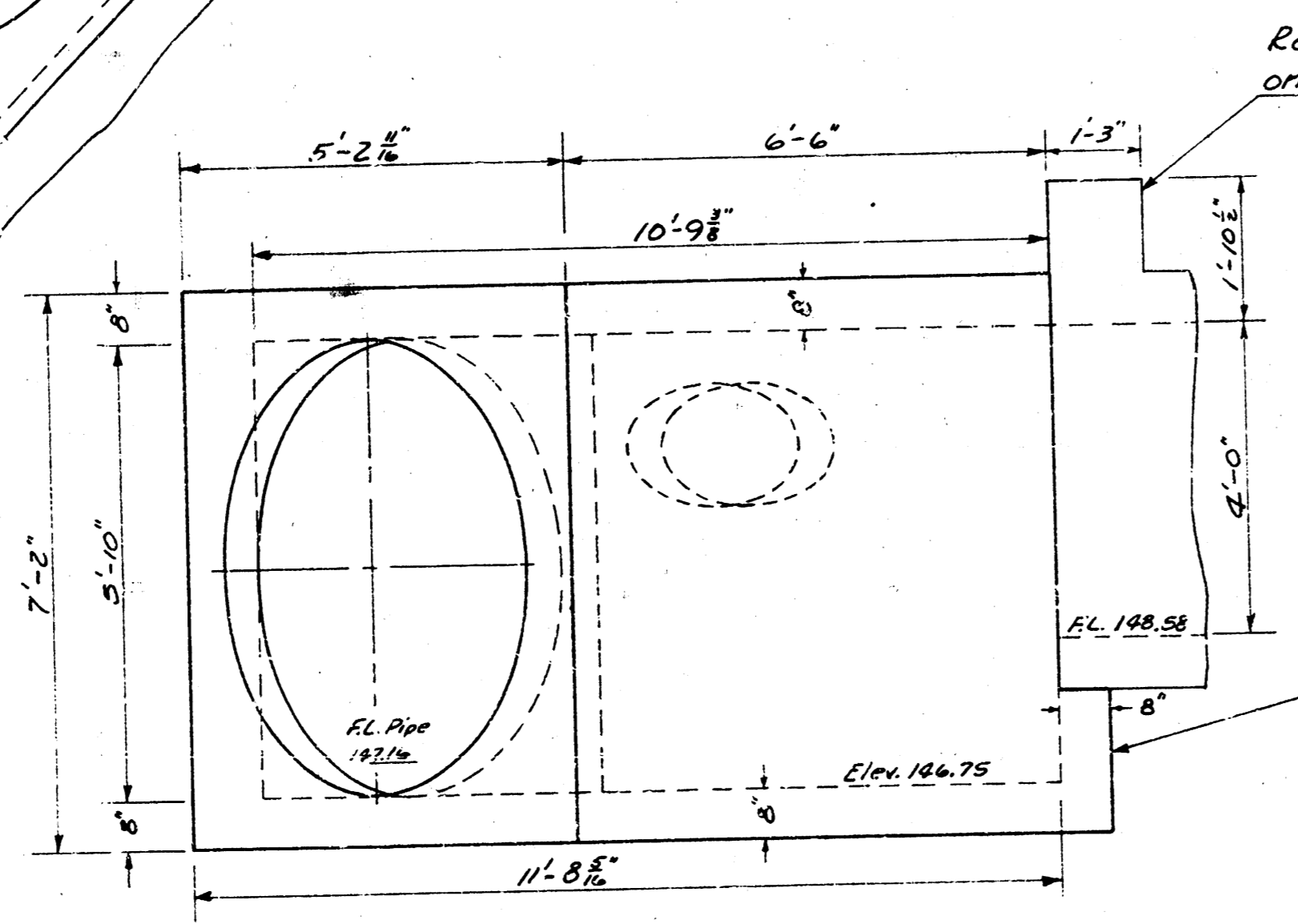


NOTE: Both wingwalls at west end of exist culvert to be removed. Horizontal steel to be bent and extended into the walls of the new box as tie bars.

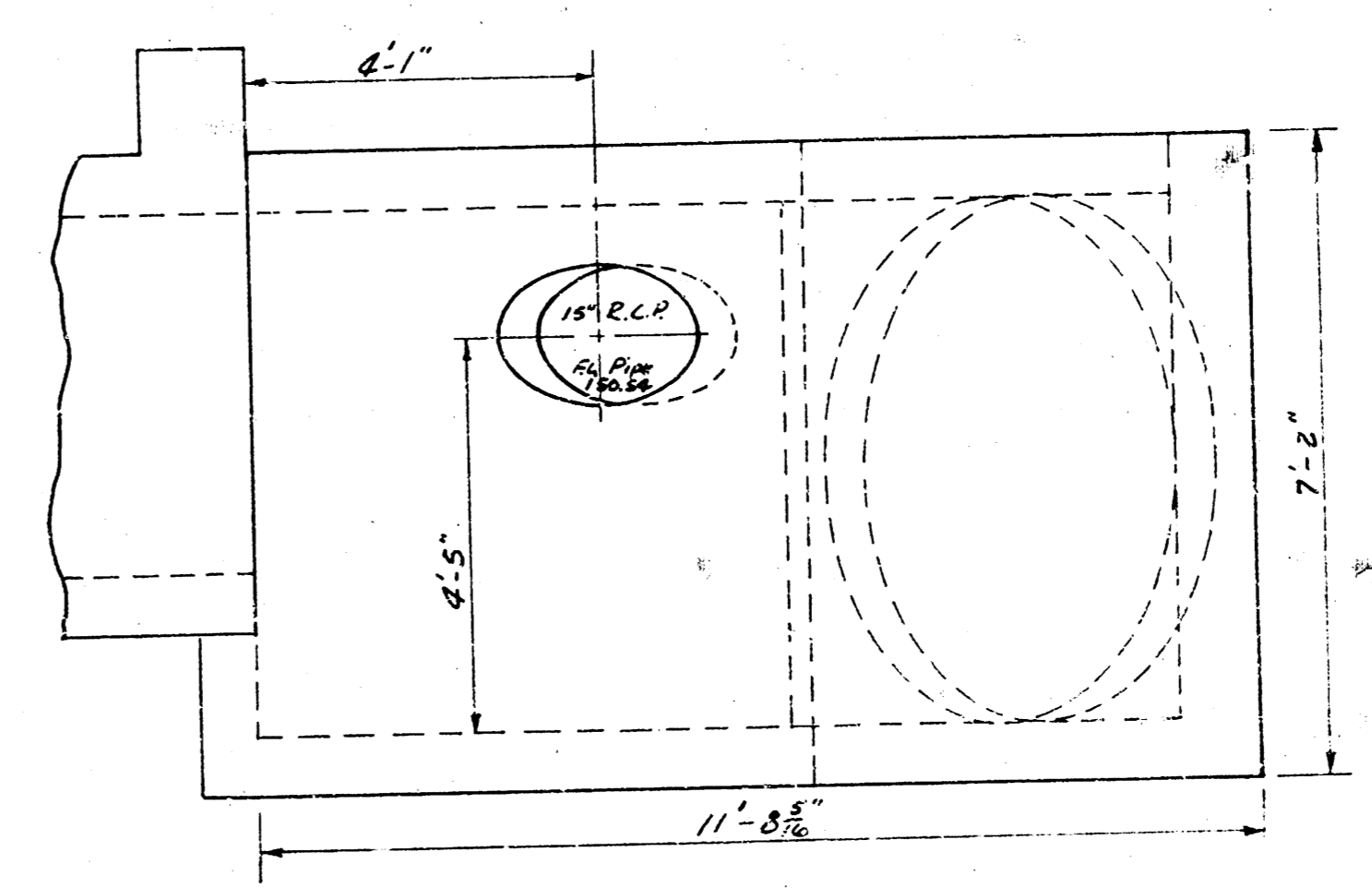


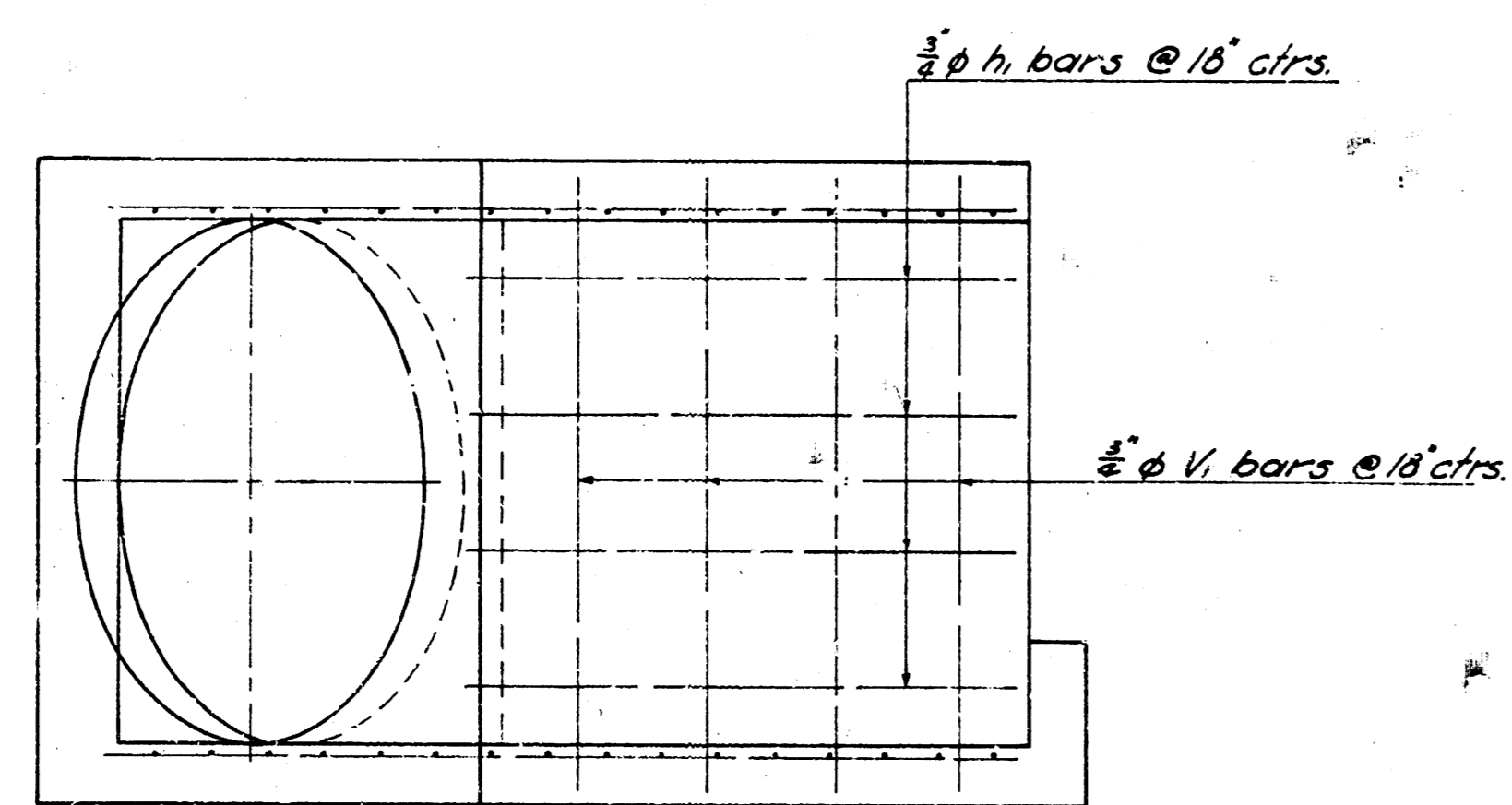
NOTE: Steel pattern same for top & bottom slabs.

END ELEVATION
NORMAL TO OPENING

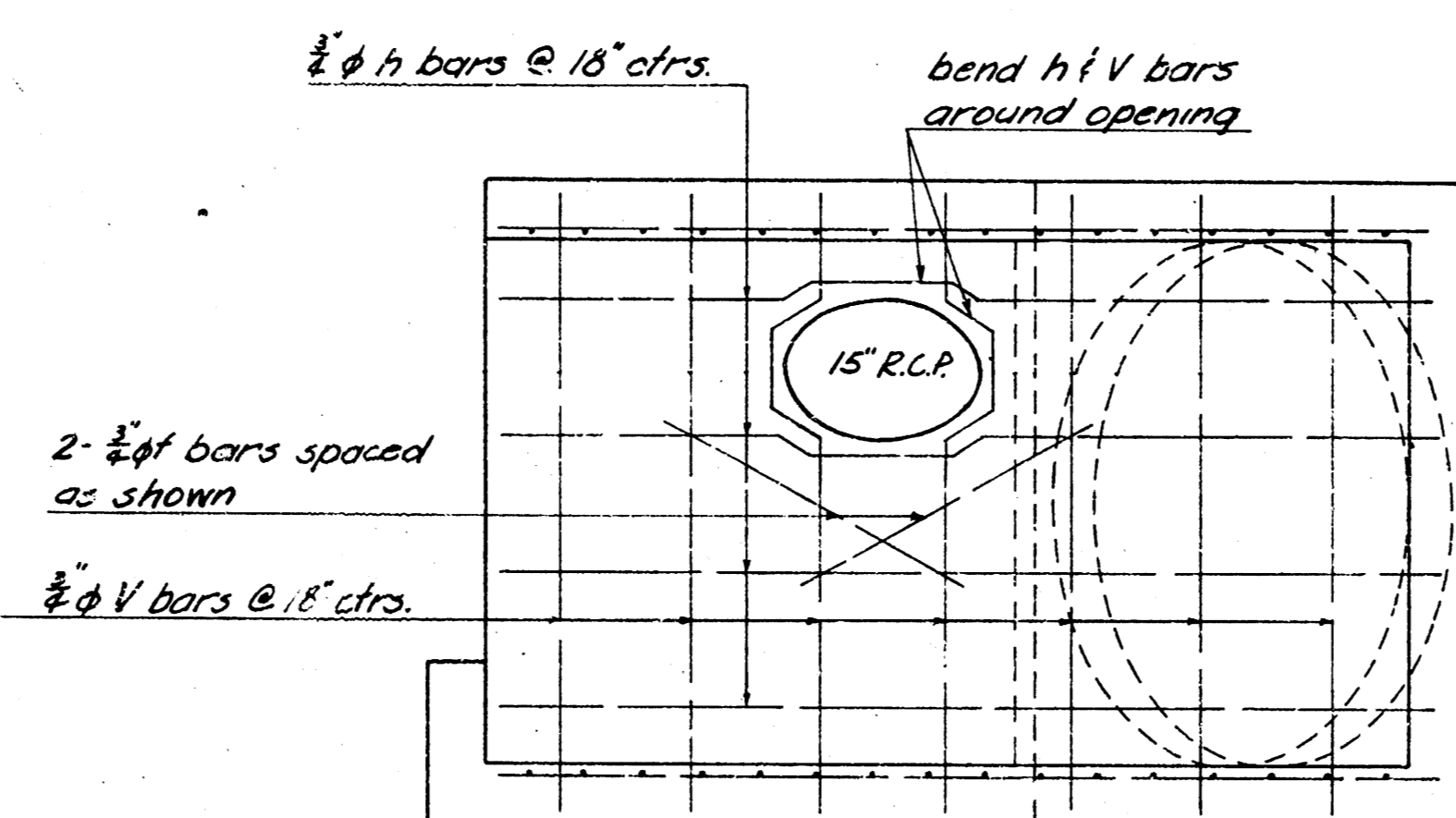


Construct this wall as shown if there is no curtain wall on exist culvert. If there is a curtain wall, this wall will butt against the curtain.

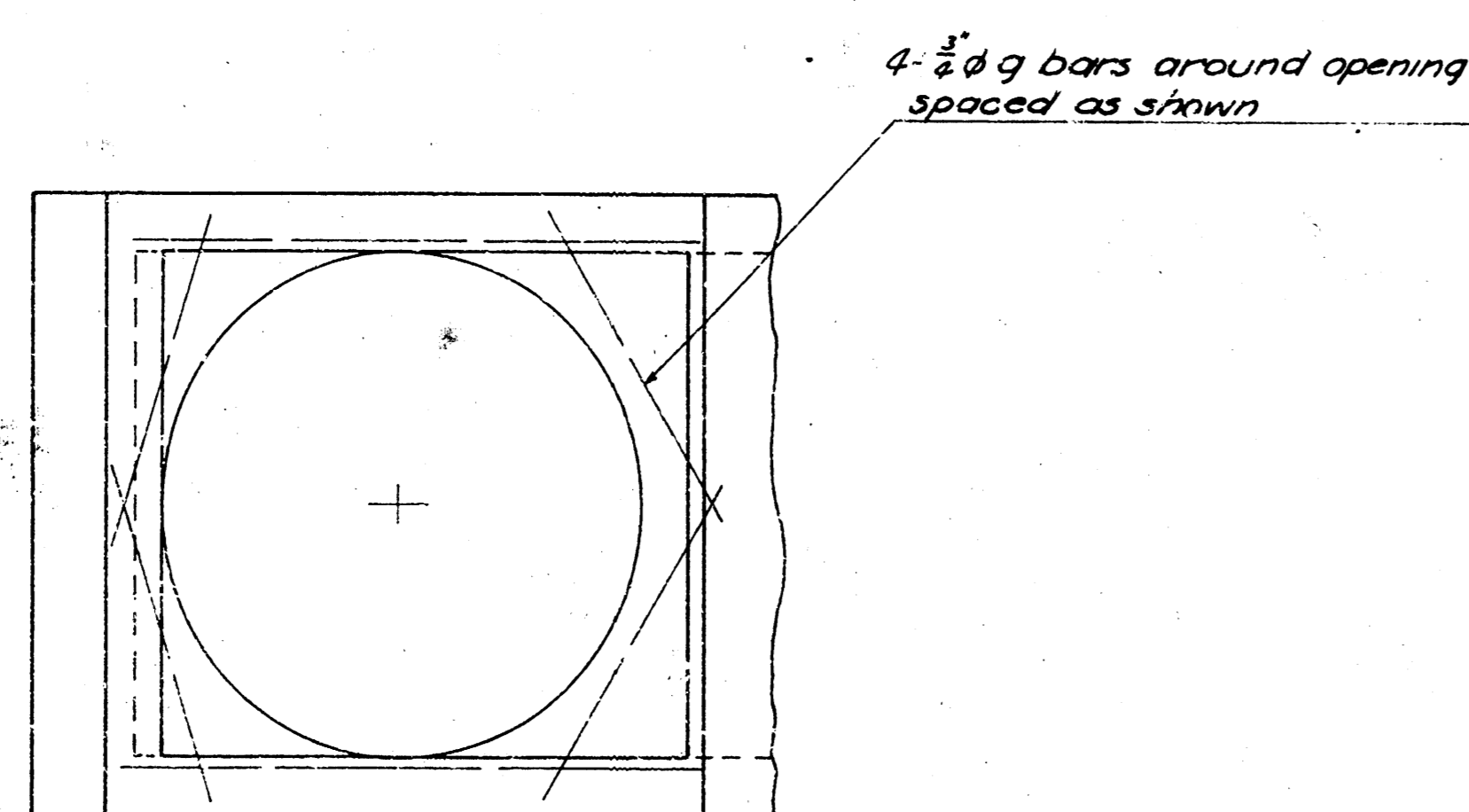




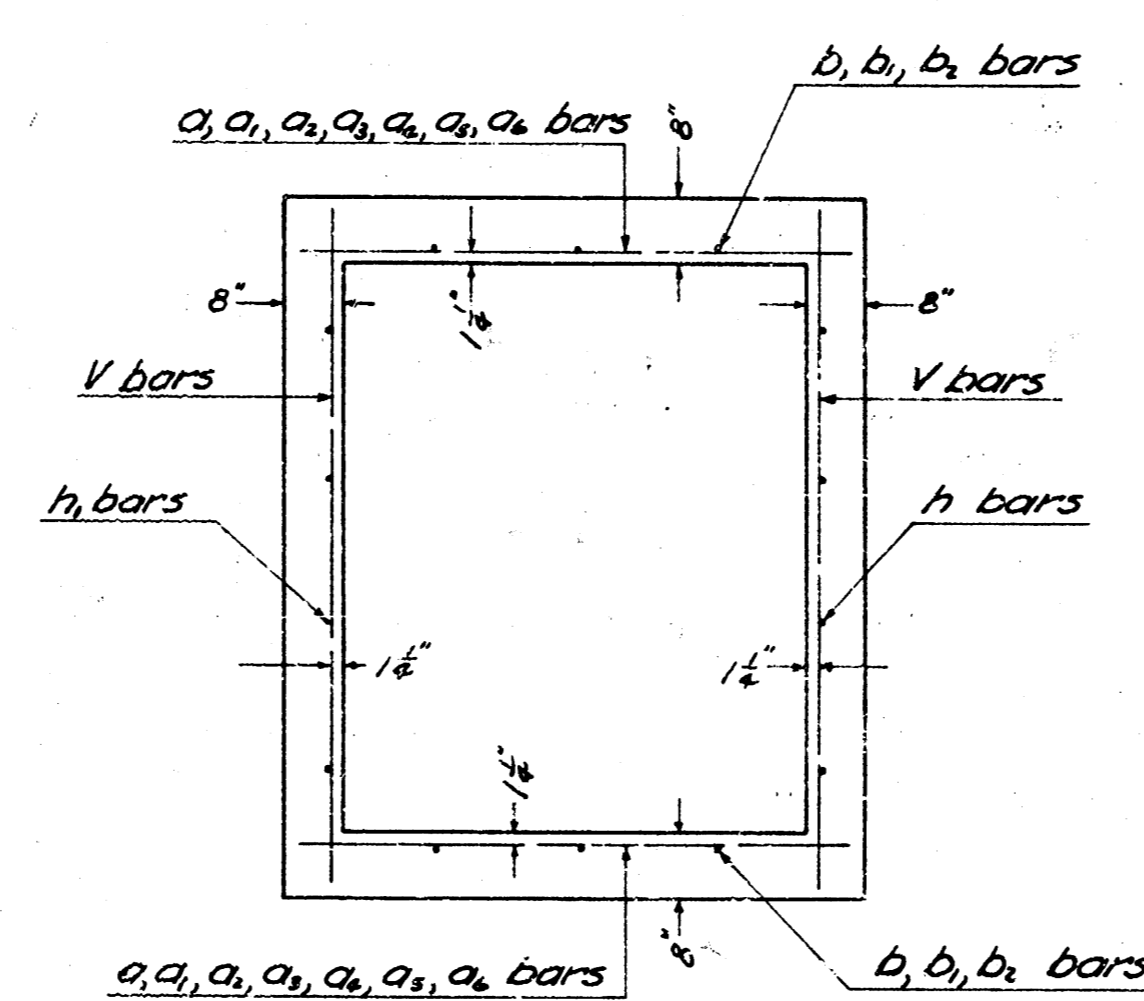
LONGITUDINAL SECTION SHORT SIDE



LONGITUDINAL SECTION LONG SIDE



SECTION NORMAL TO OPENING

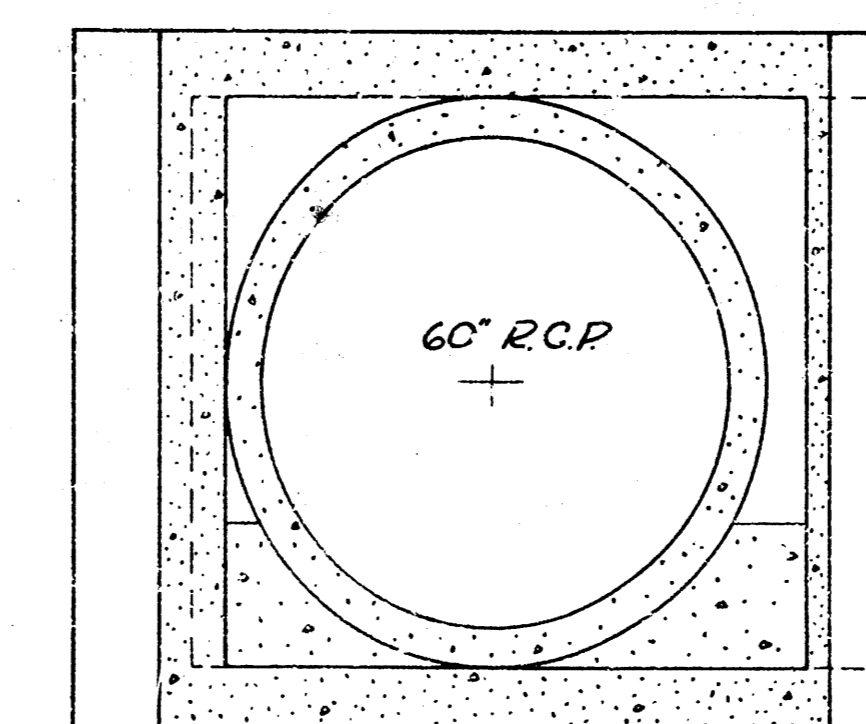


END SECTION OF BOX

| STEEL SCHEDULE | | | | |
|----------------|------|----|---------|-------|
| BAR | SIZE | NO | LENGTH | SHAPE |
| a | 3/4" | 20 | 6'-7" | |
| a | " | 2 | 5'-5" | |
| a ₁ | " | 2 | 4'-0" | |
| a ₂ | " | 2 | 4'-1" | |
| a ₃ | " | 2 | 3'-5" | |
| a ₄ | " | 2 | 2'-9" | |
| a ₅ | " | 2 | 2'-1" | |
| b | " | 2 | 10'-10" | |
| b ₁ | " | 2 | 9'-8" | |
| b ₂ | " | 2 | 7'-10" | |
| f | " | 2 | 4'-0" | |
| g | " | 4 | 4'-2" | |
| h | " | 4 | 11'-0" | |
| h ₁ | " | 4 | 6'-6" | |
| v | 3/4" | 11 | 6'-8" | |

| BILL OF MATERIALS | | |
|-------------------------------|----------|----------|
| ITEM | QUANTITY | UNITS |
| Class A Concrete | 75 | cu. yds. |
| General Excavation | 42.0 | cu. yds. |
| Sand Backfill | 10.0 | Tons |
| Reinforcing Steel | 587.0 | Lbs. |
| Catch Basins | 2 | Complete |
| 15" R.C.P. | 12 | Lin Ft. |
| 60" R.C.P. | 44 | Lin Ft. |
| Removal Hubguard & Wing walls | | |

NOTE: Excavation to extend 4' each side & 3' from end of box extension, and 3' each side for a distance of 3' back of the headwall of exist. box. Payment will be made only for this quantity of dirt removal, or actual amount removed if less than the maximum quantity of removal allowed.



CROSS SECTION AT OPENING

NOTE: Shape floor of box with unreinforced concrete from F.L. of exist. box to shape of pipe at pipe entrance.

No additions in concrete quantities shall be made for shaping floor of the box.

No deductions in concrete quantities shall be made for pipe openings.