

2- 7' x 5.5' R.C.B.C.

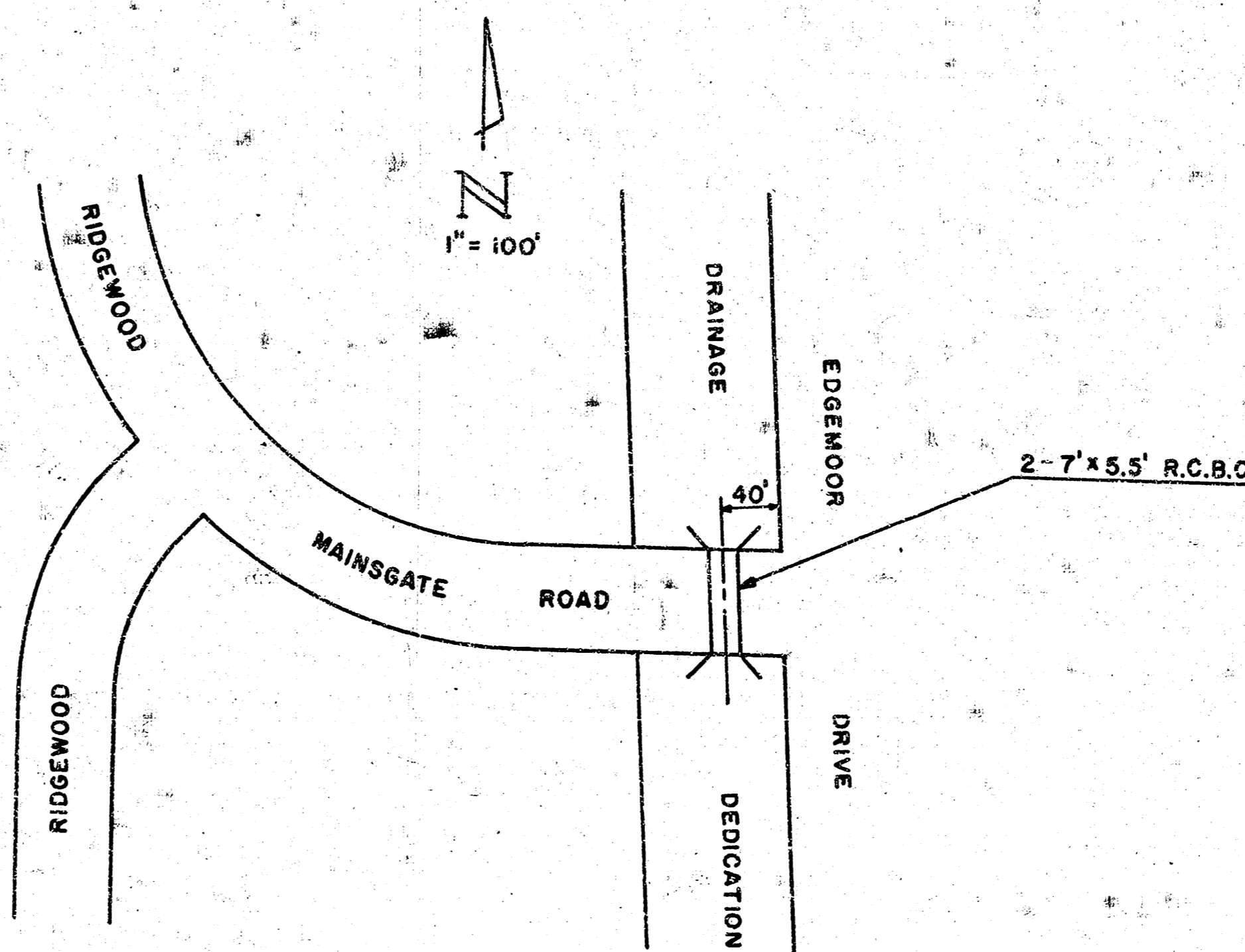
MAINSGATE ROAD
WOODLAWN PLACE 5th ADDn

CITY OF WICHITA, KANSAS

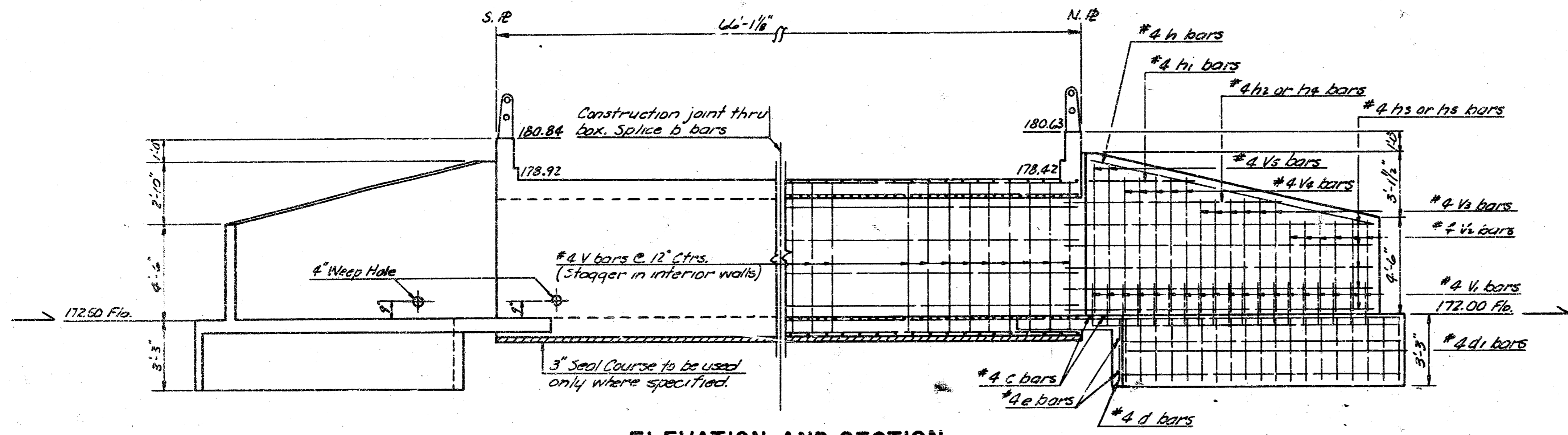
D.S. SELLERS CITY ENGINEER

PROJ. NO. 472 76 245 80874 000 000 004

DATE:

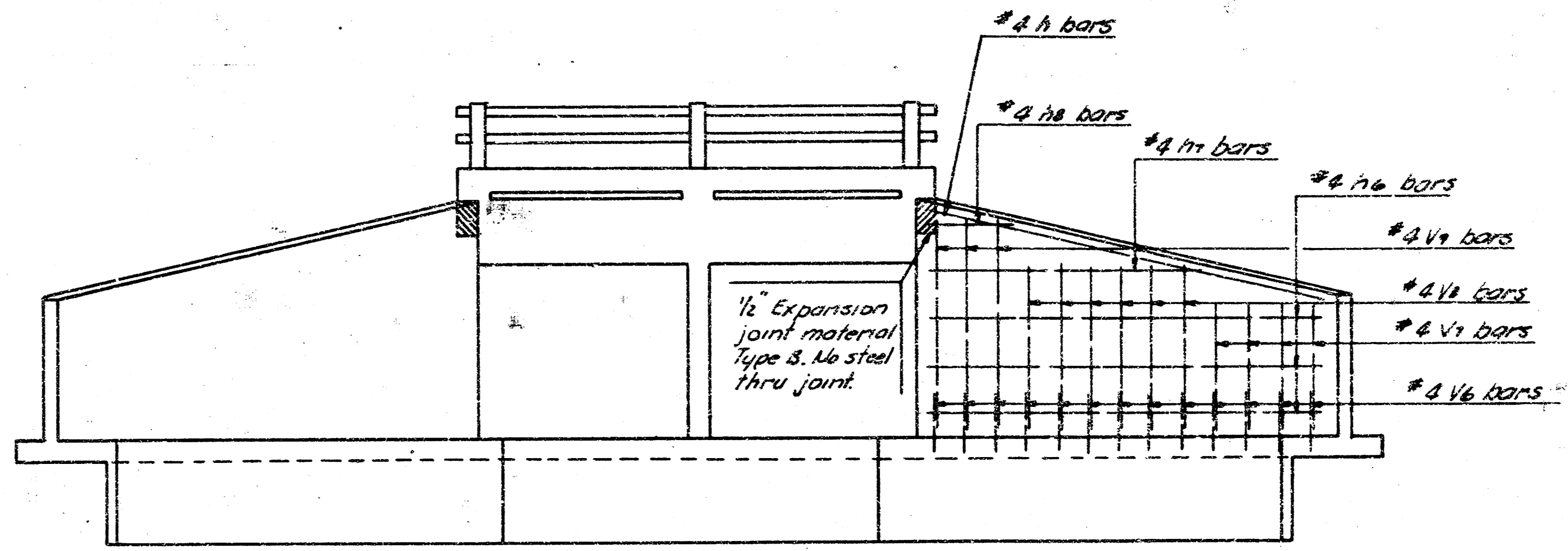


LOCATION MAP



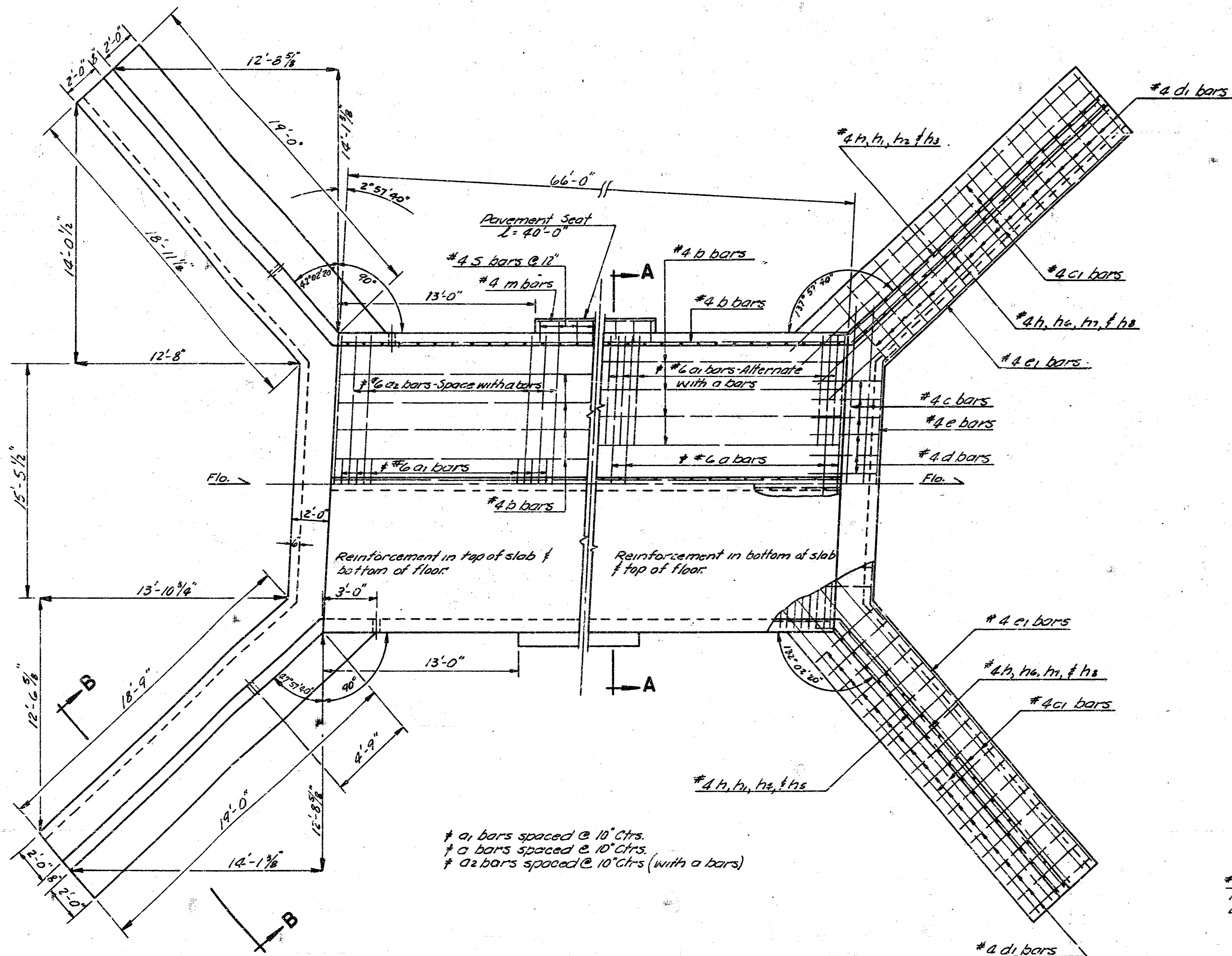
ELEVATION AND SECTION

1/4" = 1' 0"



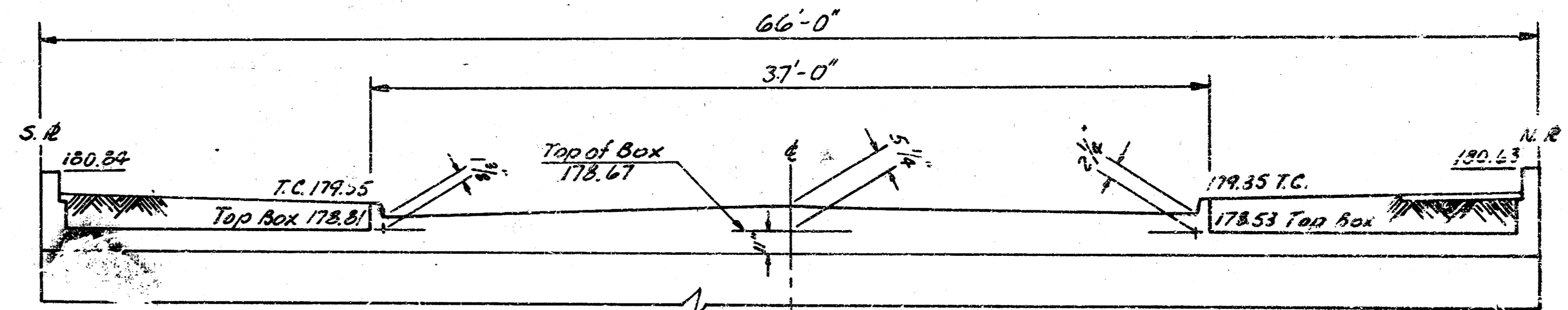
ELEVATION AND SECTION

1/4" = 1' 0"

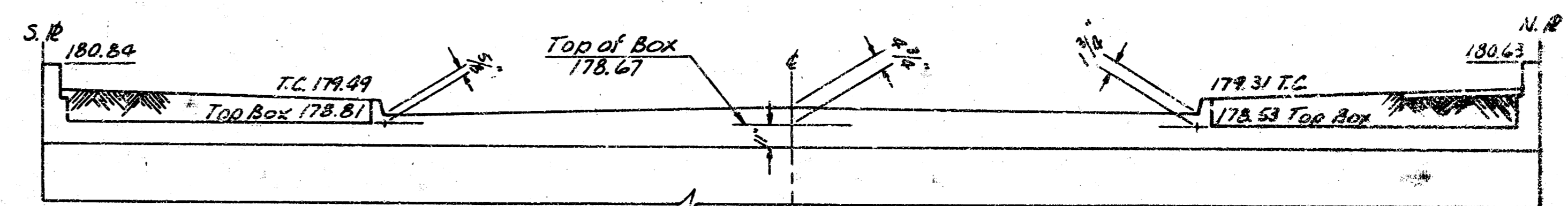


PLAN AND SECTION

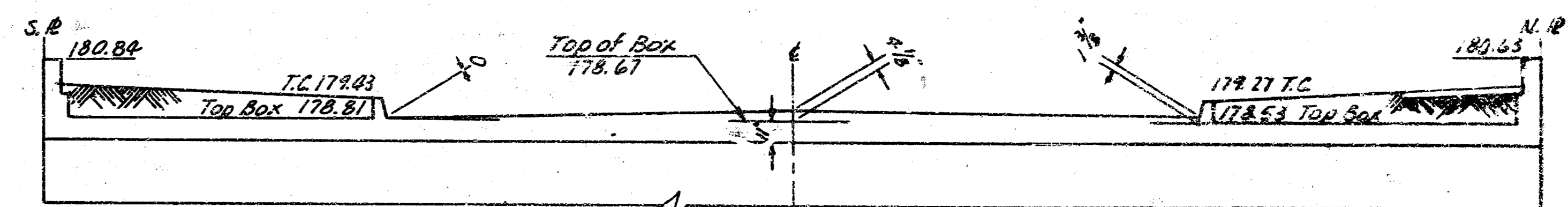
1/4" = 1' 0"



E. EDGE RCBC
PVT STA. 7+63.94

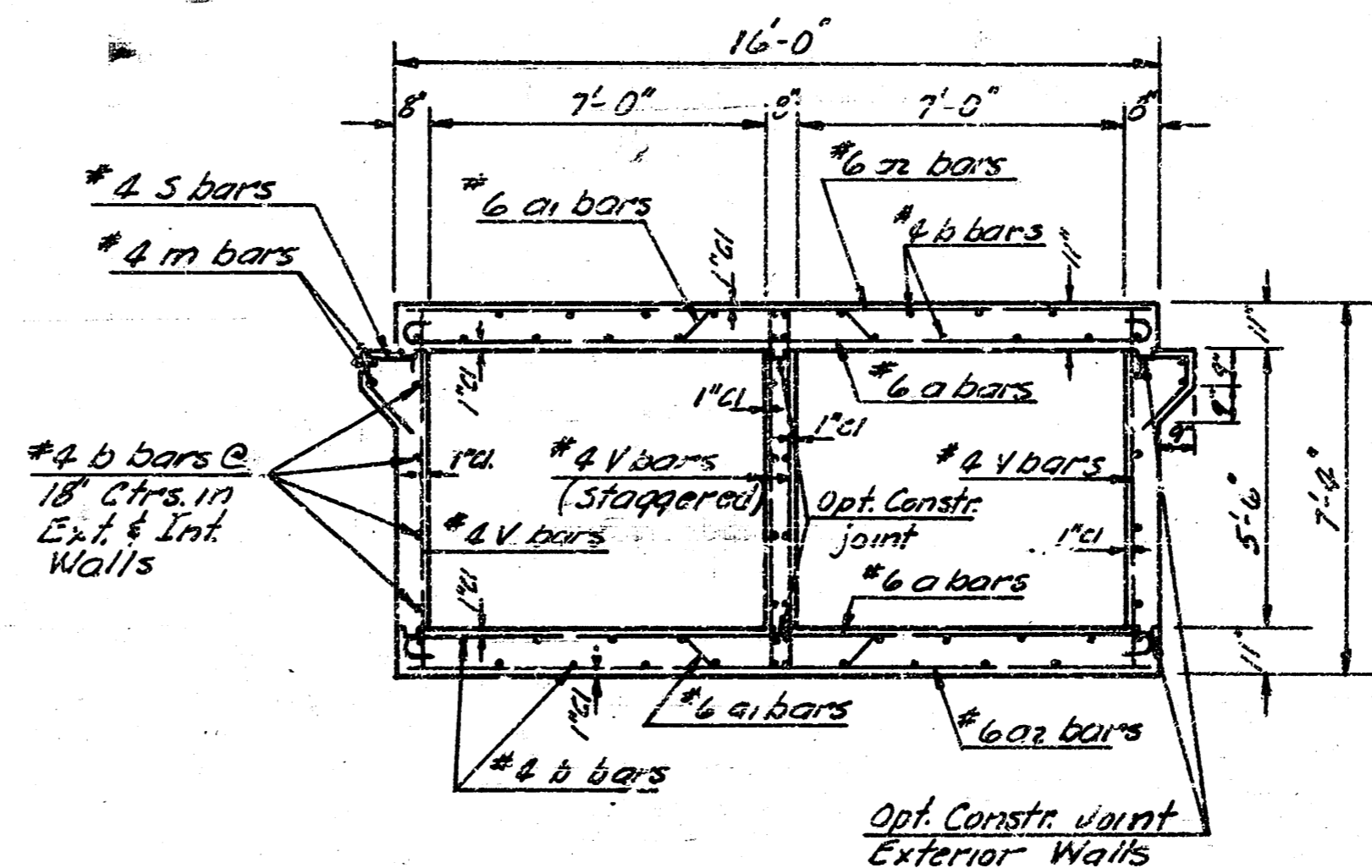


C. RCBC
PVT STA. 7+55.93



W. EDGE RCBC
PVT STA. 7+47.92

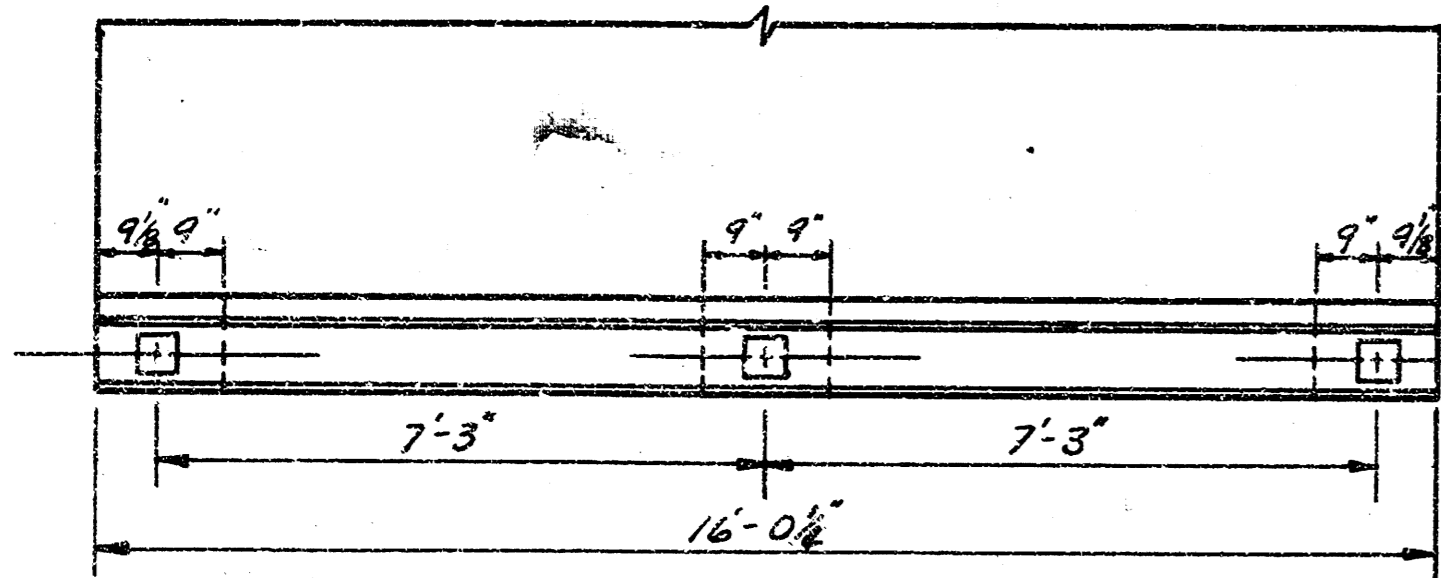
SLAB ELEVATIONS
NO SCALE



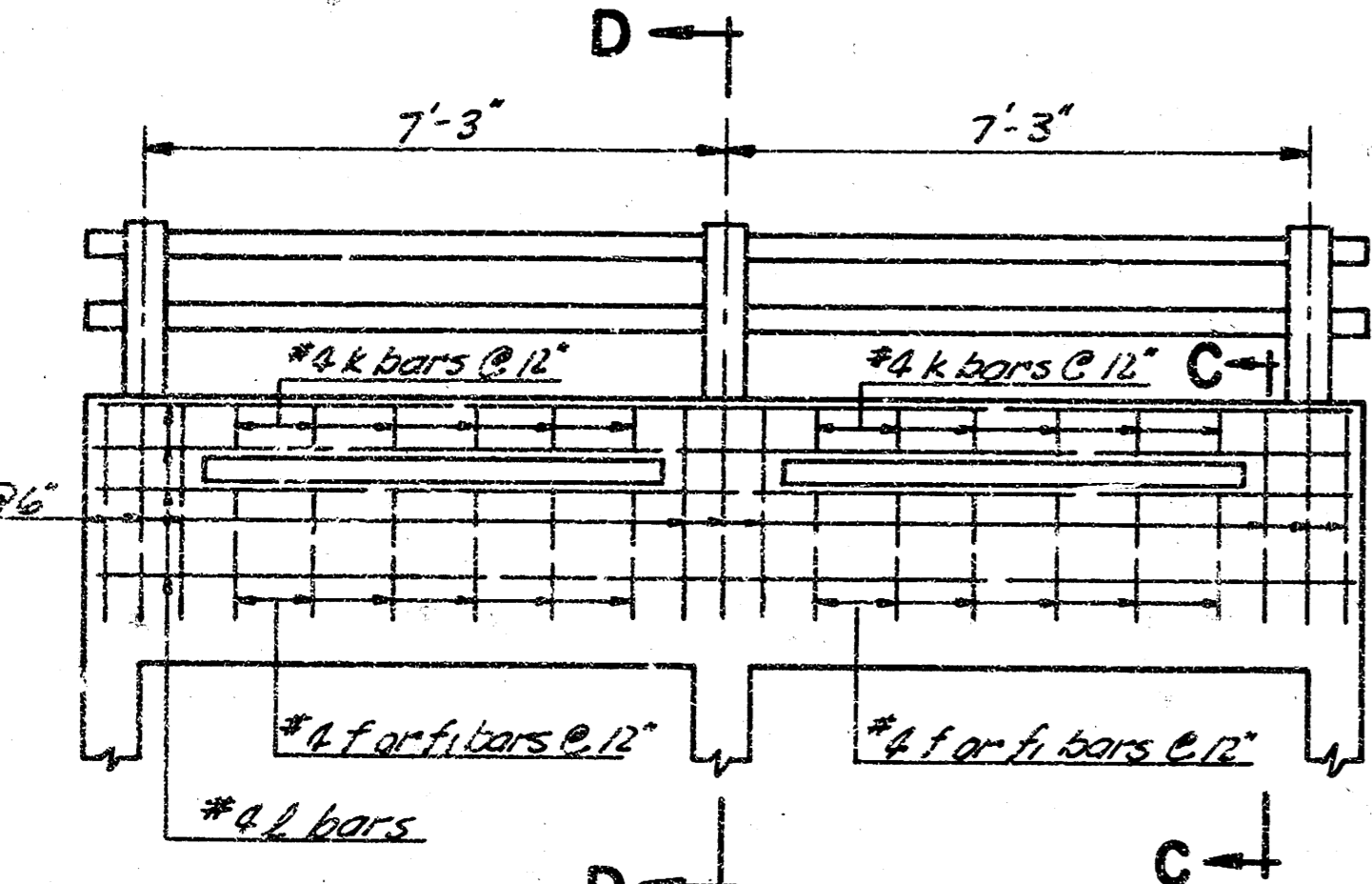
SECTION A-A
1/4" = 1' 0"

3/5

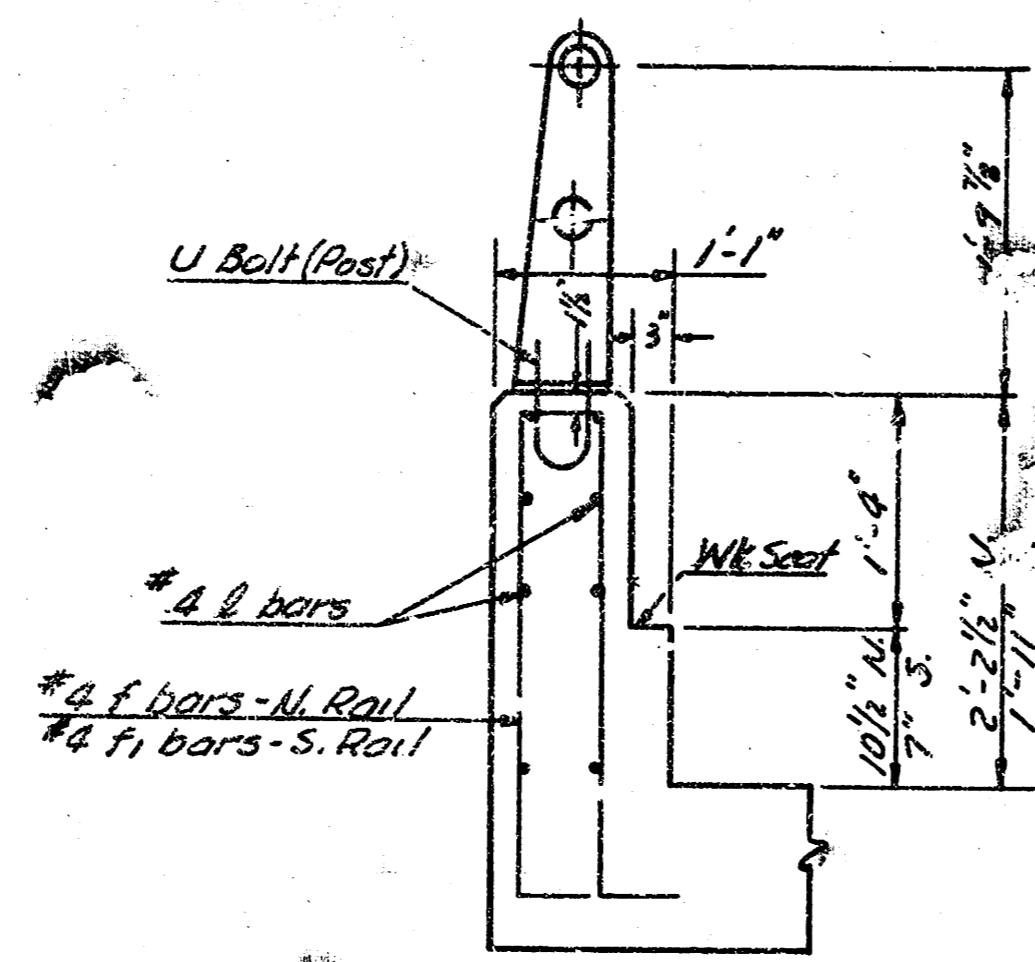
2-7x5.5' R.C.B.C.
 MAINSGATE ROAD
 WOODLAWN PLACE 5th ADDN
 PROJ. NO. 472 76 245 80874 000 000 004



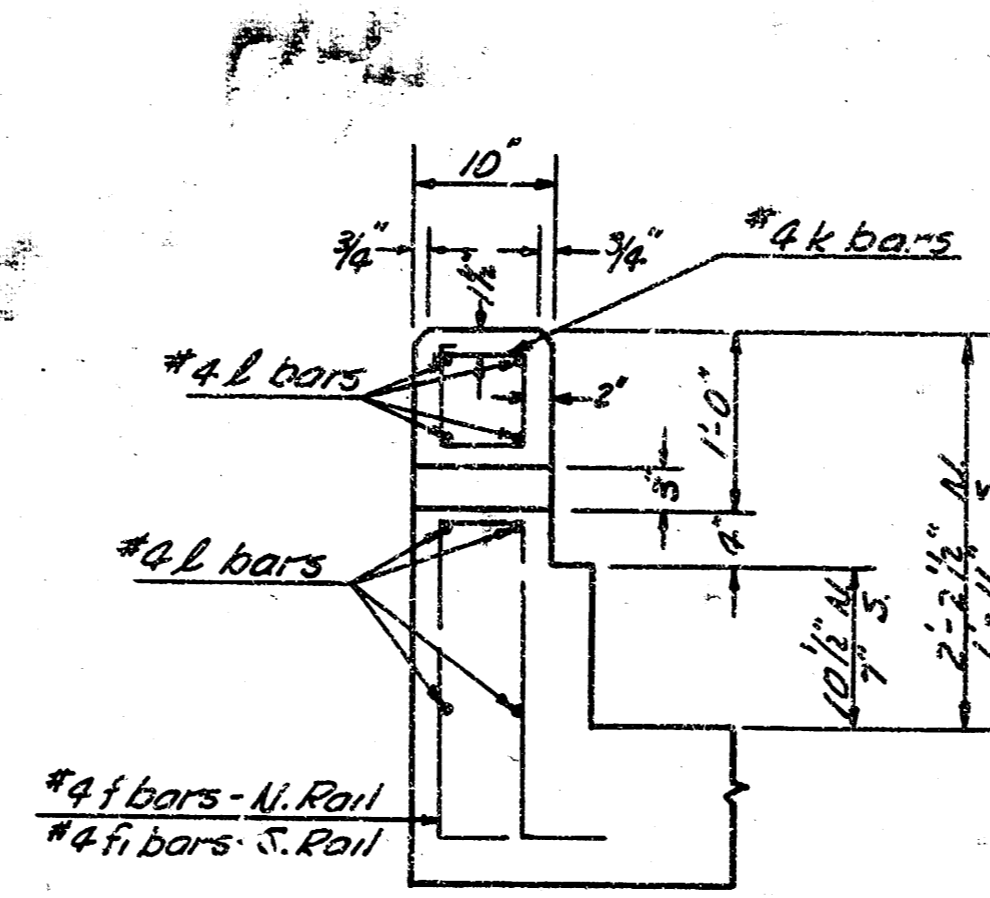
PLAN - RAILING
3/8" = 1' 0"



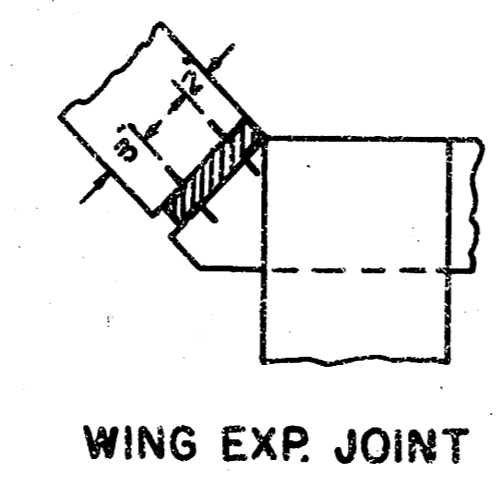
SECTION - RAILING
3/8" = 1' 0"



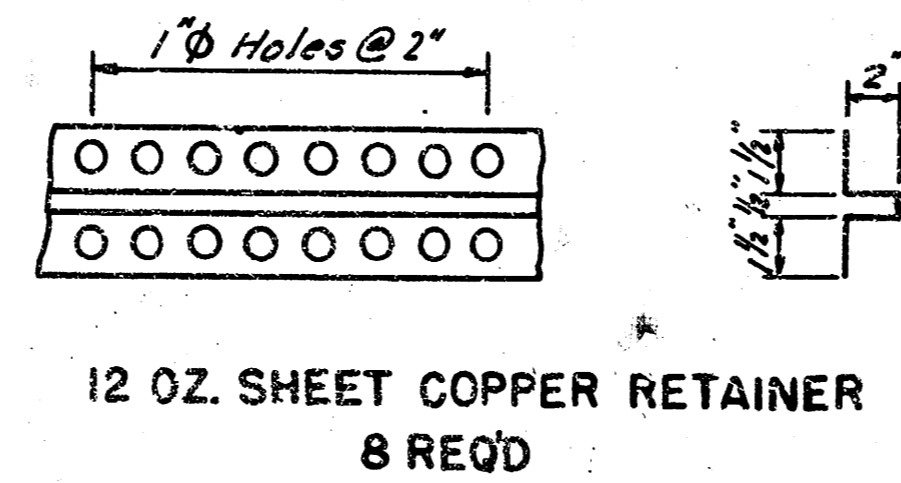
SECTION D-D
NO SCALE



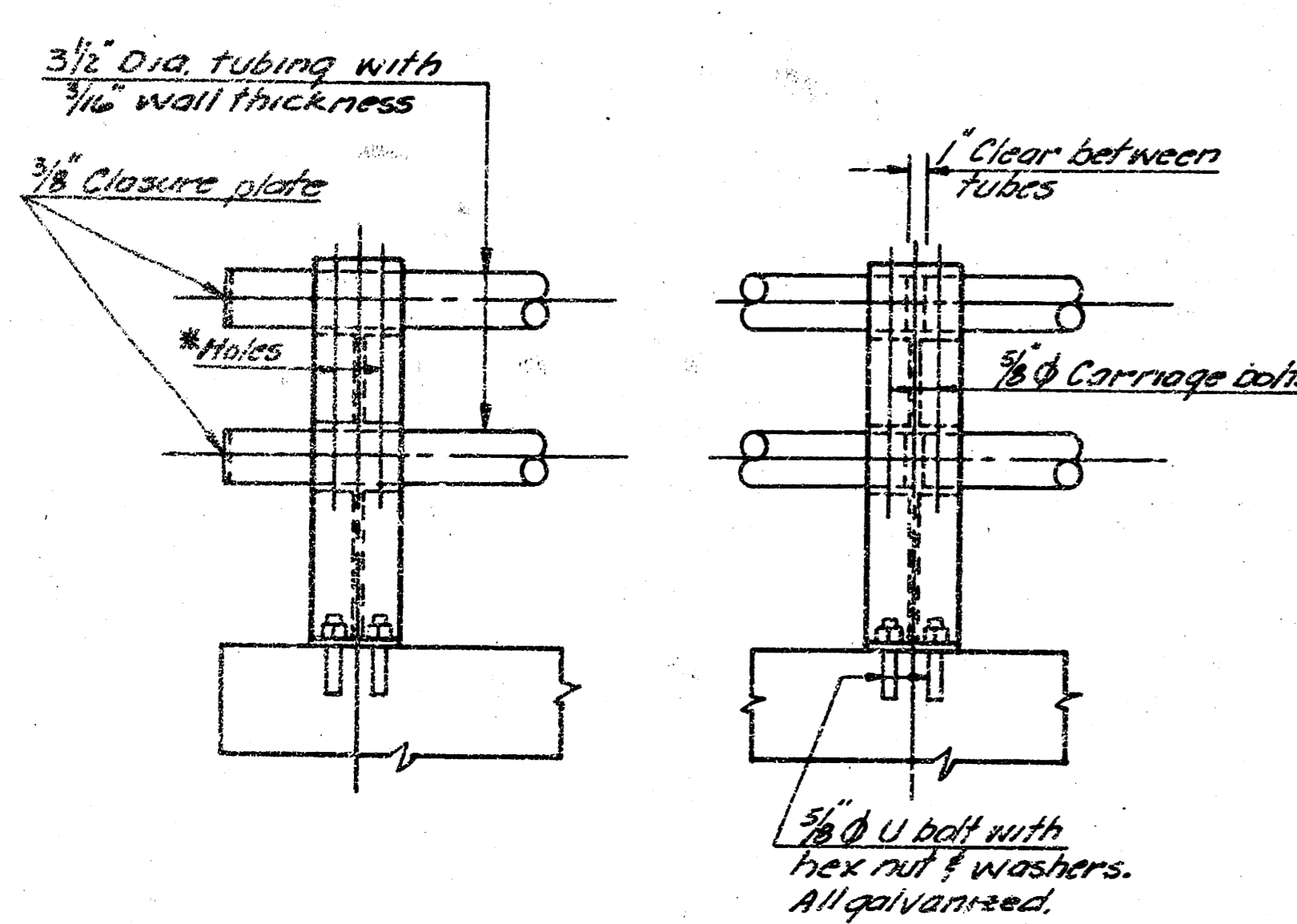
SECTION
NO SCALE



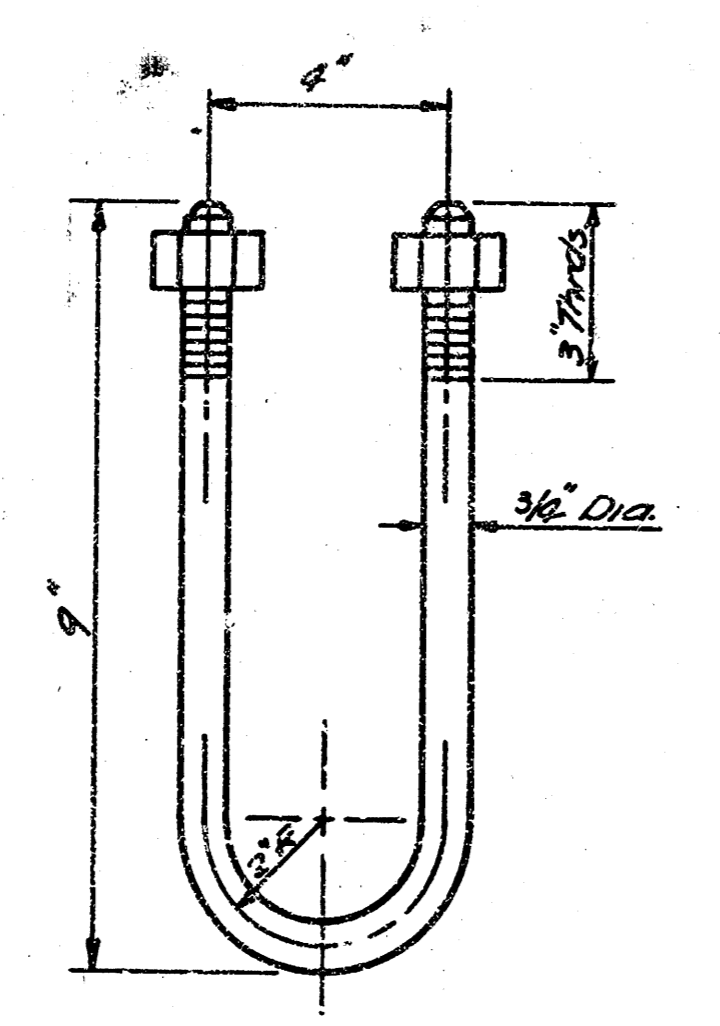
WING EXP. JOINT



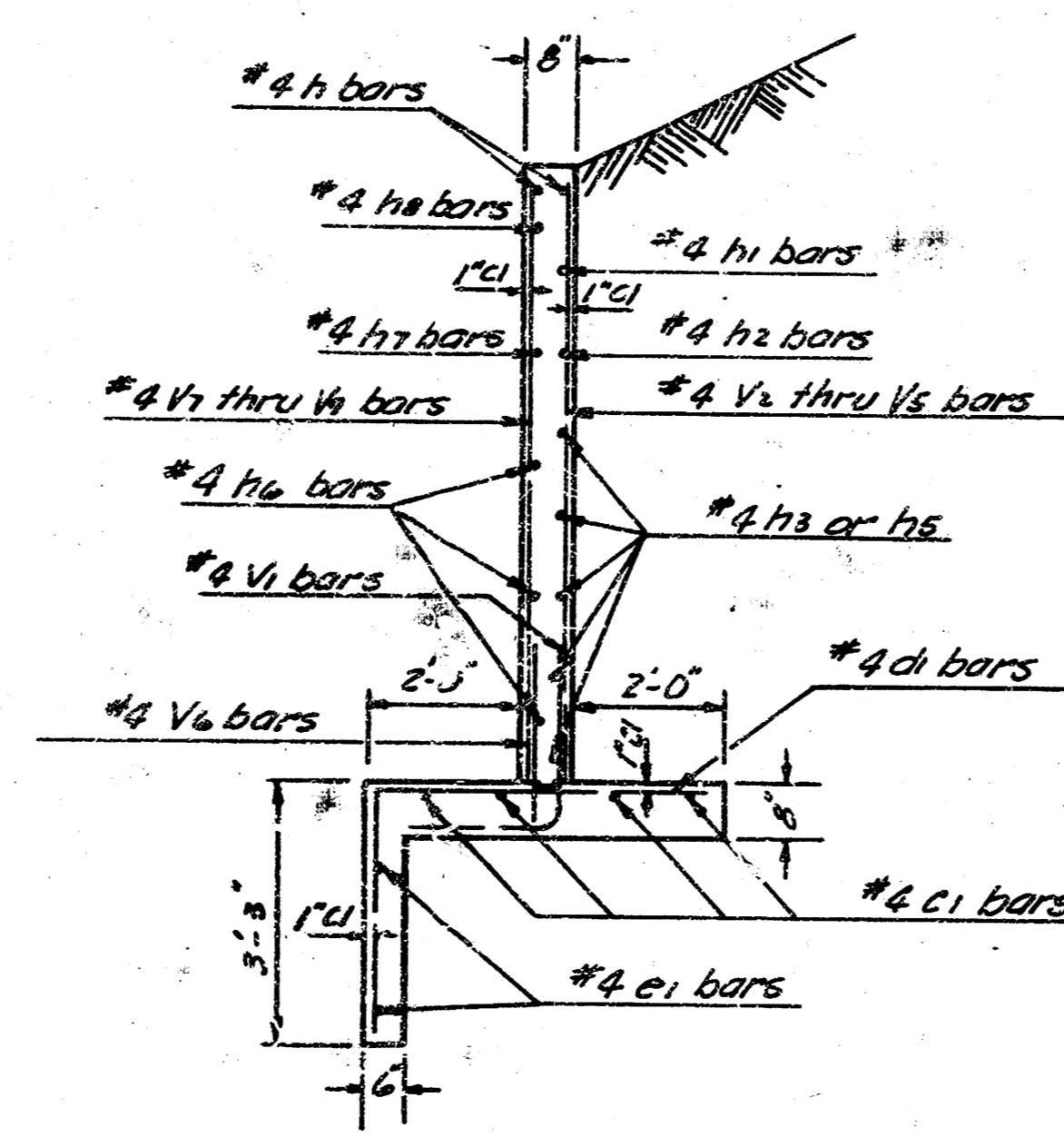
12 OZ. SHEET COPPER RETAINER
8 REQ.



DETAIL - ALUMINUM RAILING
NO SCALE



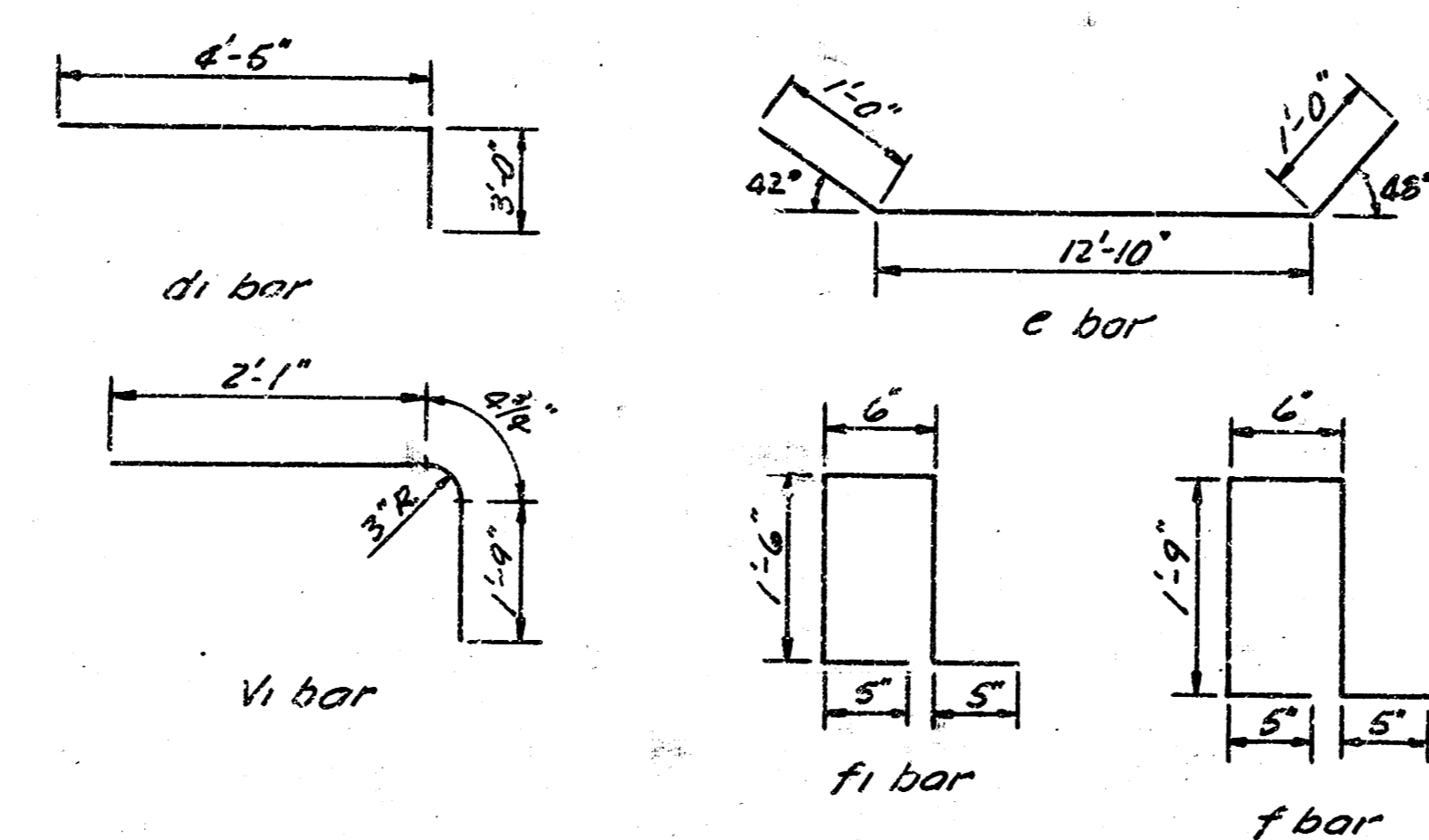
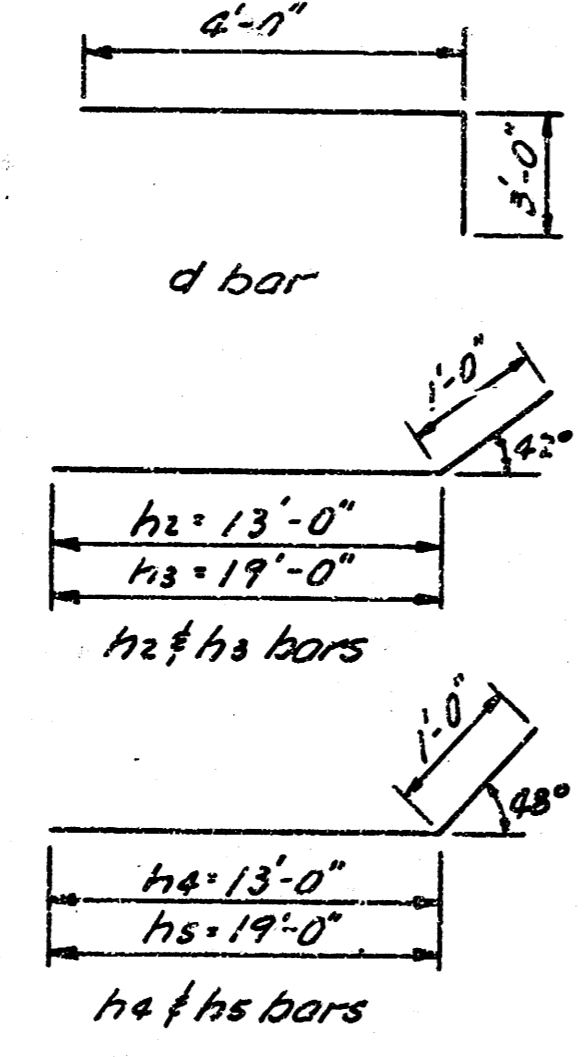
GALVANIZED U BOLT
NO SCALE



SECTION B-B
NO SCALE

* Notes: 1/16" square holes in post under head and 1/16" round holes under nuts for 3/8" x 5 1/2" carriage bolts with hex nuts.

NOTE: Aluminum Handrail
Aluminum posts shall be Reynolds Aluminum Highway Products Bridge Railing System No. 2 R199 or equal. Top & bottom rails shall be 3 1/2" O.D. x 3/16" wall tube of 6063-T6 Aluminum.
Aluminum shims between concrete and post base may be used. The space below posts shall be thoroughly caulked with Alumilastic compound or other approved material.



BENDING DIAGRAMS NO SCALE
ALL DIMENSIONS OUT TO CUT OF BARS

GENERAL NOTES

- CLASS A-AE - CONCRETE SHALL BE USED THROUGHOUT ON THE STRUCTURE. THE REINFORCING STEEL SHALL CONFORM TO A.S.T.M. SPECIFICATIONS.
- EARTHWORK - ALL EARTHWORK SHALL BE CONSIDERED AS "COMMON EXCAVATION" EXCEPT FOR THE TOSWALL. TOSWALL EXCAVATION SHALL BE INCLUDED IN "LUMP SUM BID".
- BACKFILL - ALL BACKFILL EXCAVATION TO EXTEND TO (2') BEYOND SIDES OF BOX AND WING-WALLS.
- BEVEL - ALL EXPOSED EDGES OF CONCRETE WITH 3/4" TRIANGULAR MOUNDING.
- WEEPHOLES - COURSE AGGREGATE SHALL BE DEPOSITED BEHIND EACH WEEPHOLE TO OCCUPY A SPACE EXTENDING (15") IN ALL DIRECTIONS ABOVE WEEPHOLE'S SLOW LINE. THIS WORK SHALL NOT BE PAID FOR DIRECTLY, BUT SHALL BE CONSIDERED A PART OF THE EXCAVATION WORK.
- SEAL COURSE - A SEAL COURSE CONSISTING OF 3" CLASS "A" CONCRETE SHALL BE CONSTRUCTED ONLY WHERE SPECIFIED ON THE PLANS OR BY THE ENGINEER. NO REINFORCING SHALL BE PLACED UNTIL THE SEAL COURSE HAS GAINED SUFFICIENT STRENGTH TO PERMIT WORKING UPON IT WITHOUT DAMAGE.
- BIDDING OF CULVERT - THE CULVERT SHALL BE BID AS A "LUMP SUM BID" WHICH SHALL INCLUDE THE FOLLOWING ITEMS: CLASS A-AE CONCRETE, REINFORCING STEEL, HAND EXCAVATION, AND ALUMINUM HAND RAIL. ALL OTHER ITEMS SHALL BE INCLUDED AS BID ITEMS.
- EXTRA THICKNESS OF CONCRETE ON SLAB TO FORM CROWN AND THE CONSTRUCTION OF INTEGRAL CURB SHALL BE CONSIDERED INCIDENTAL TO COST OF R.C.B.C.
- THE QUANTITIES SHOWN IN THE "BILL OF MATERIALS OR ITEMS" WHICH ARE INCLUDED IN THE "LUMP SUM BID" OF THE CULVERT ARE FOR "INFORMATION PURPOSES ONLY". THE CONTRACTOR MUST SATISFY HIMSELF AS TO THE "QUANTITIES" AND THE ENGINEER ASSUMES NO RESPONSIBILITIES FOR THEIR ACCURACY. THE CONTRACTOR WILL HAVE THE FULL RESPONSIBILITY FOR PROVIDING ALL MATERIALS ON THE DETAILED PLANS NECESSARY TO COMPLETE THE PROJECT.

BAR SCHEDULE				
BAR	SIZE	LENGTH	NO.	WEIGHT
a	#6	16'-9"	160	4025.36
a1	#6	14'-6"	158	3876.37
a2	#6	5'-9"	160	4506.00
b	#4	34'-0"	120	2735.24
c	#4	14'-0"	4	50.77
c1	#4	27'-0"	16	235.14
d	#4	7'-0"	24	112.22
d1	#4	7'-5"	76	376.70
e	#4	18'-10"	4	39.63
e1	#4	18'-9"	8	100.20
f	#4	8'-10"	12	38.72
f1	#4	8'-6"	12	34.71
h	#4	18'-10"	8	100.63
h1	#4	5'-6"	4	14.20
h2	#4	18'-0"	2	18.70
h3	#4	20'-0"	10	133.60
h4	#4	14'-0"	2	18.70
h5	#4	20'-0"	10	133.60
h6	#4	18'-9"	12	150.30
h7	#4	12'-9"	4	34.07
h8	#4	3'-7"	4	9.57
k	#4	2'-8"	24	37.35
l	#4	18'-9"	16	200.40
m	#4	37'-9"	8	272.42
n	#4	6'-10"	9	41.06
n1	#4	4'-4"	9	38.08
s	#4	3'-7"	82	173.64
v	#4	7'-7"	263	1245.86
v1	#4	2'-3/4"	76	214.75
v2	#4	2'-2"	24	67.42
v3	#4	5'-4"	24	85.45
v4	#4	2'-4"	20	86.57
v5	#4	2'-10"	8	36.50
v6	#4	2'-0"	52	69.47
v7	#4	4'-0"	16	42.75
v8	#4	5'-3"	24	84.77
v9	#4	2'-8"	12	33.87
w	#4	3'-0"	4	8.01
w1	#4	4'-0"	2	10.67

BILL OF MATERIALS		
ITEMS	QUANTITY	UNIT
Class A-AE Concrete	132.1	C.Y.
Reinforcing Steel	19,440.1	LBS.
Hand Excavation	14.5	C.Y.
Aluminum Handrail	32.0	L.F.
Class A Concrete - Seal Course	9.8	C.Y.
Excavation	121.9	C.Y.
Compacted Fill	98.4	C.Y.
Riprap - Type 3	376.2	S.Y.

Lump Sum Bid
Bid Items

2-7'x5.5' R.C.B.C.
MAINSGATE ROAD
WOODLAWN PLACE 5th ADDN
PROJ. NO. 472 76 245 80874 000 003 004

4/5