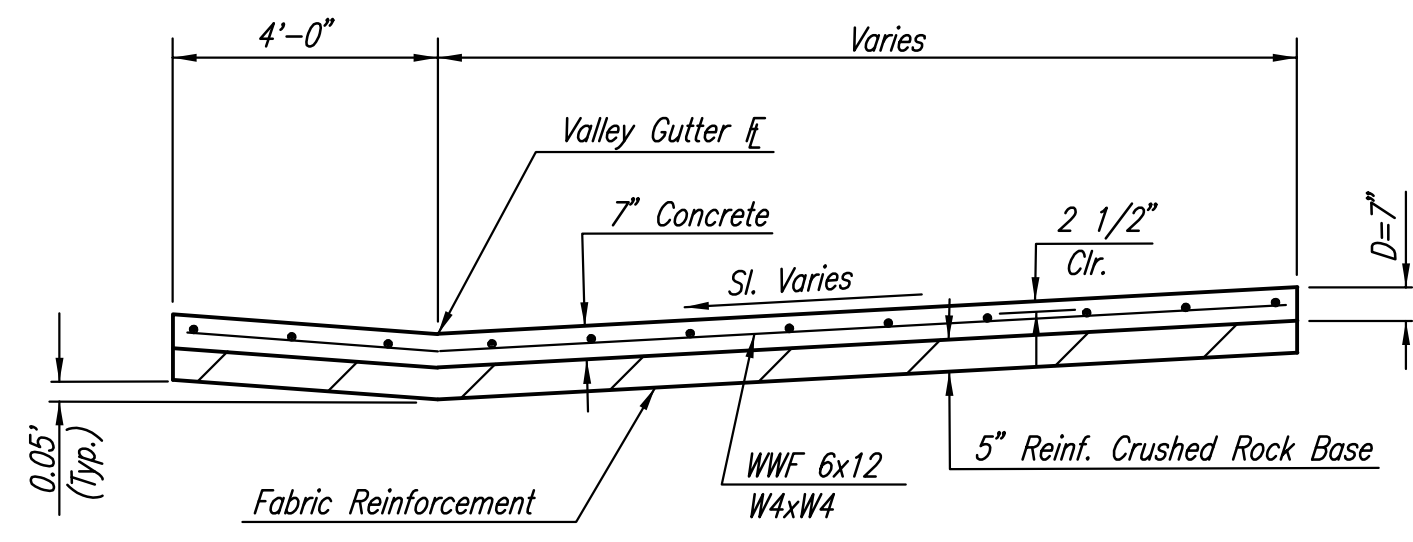
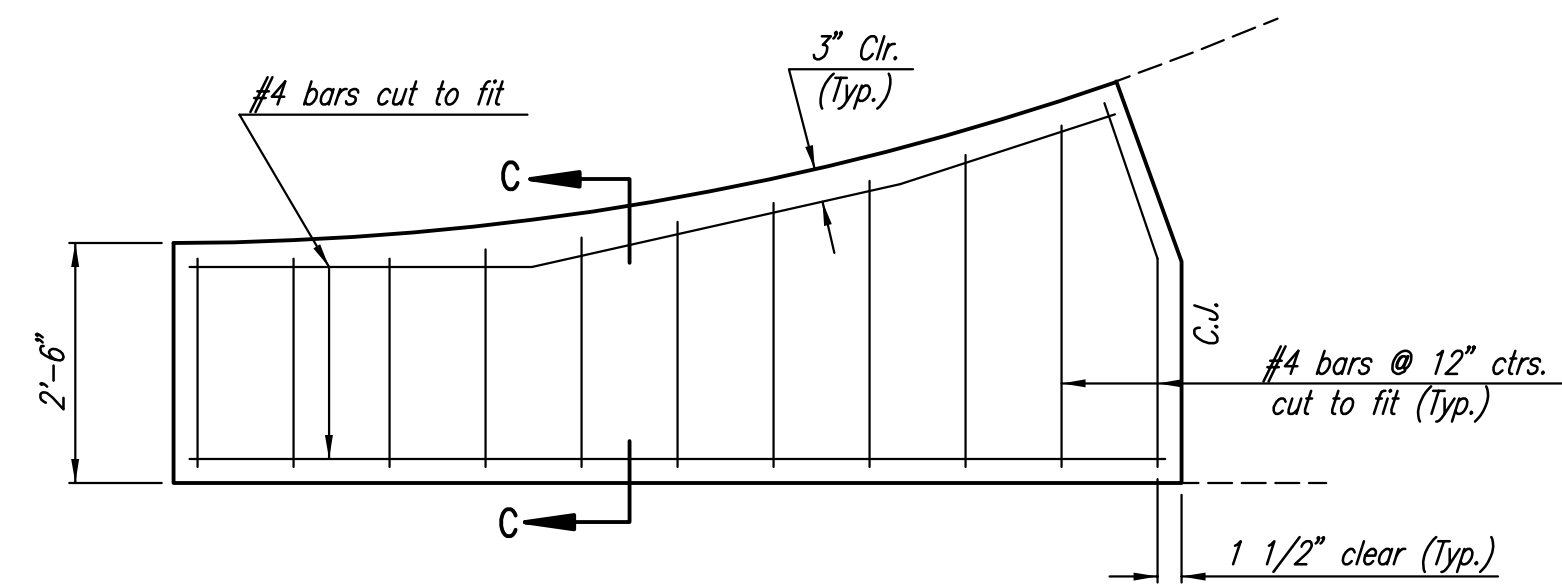


PLAN
REINFORCED VALLEY GUTTER



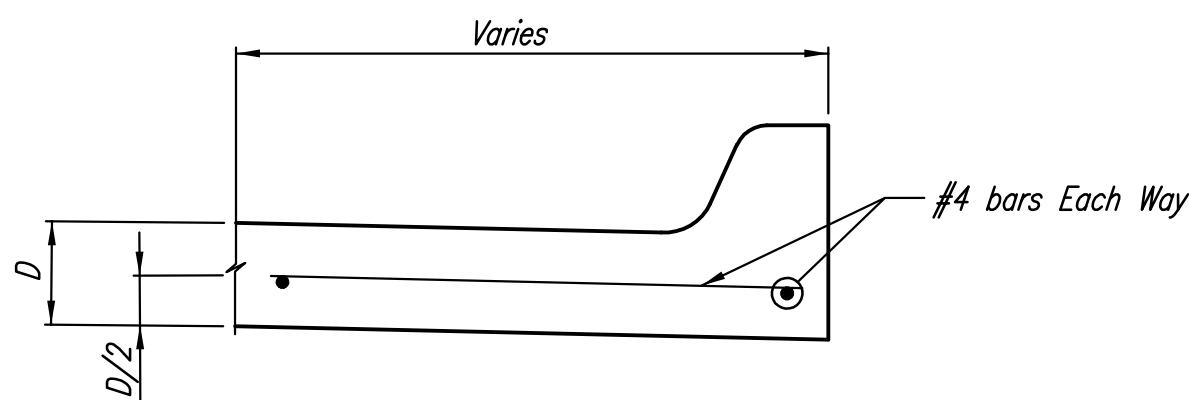
SECTION A-A

NOTE: OMIT REINFORCING MESH AT ALL JOINTS
NOTE: ALL CONCRETE VALLEY GUTTER REINFORCEMENT SHALL BE ADEQUATELY SUPPORTED BY BAR CHAIRS IN THE REQUIRED POSITION UNLESS APPROVED OTHERWISE BY THE ENGINEER.

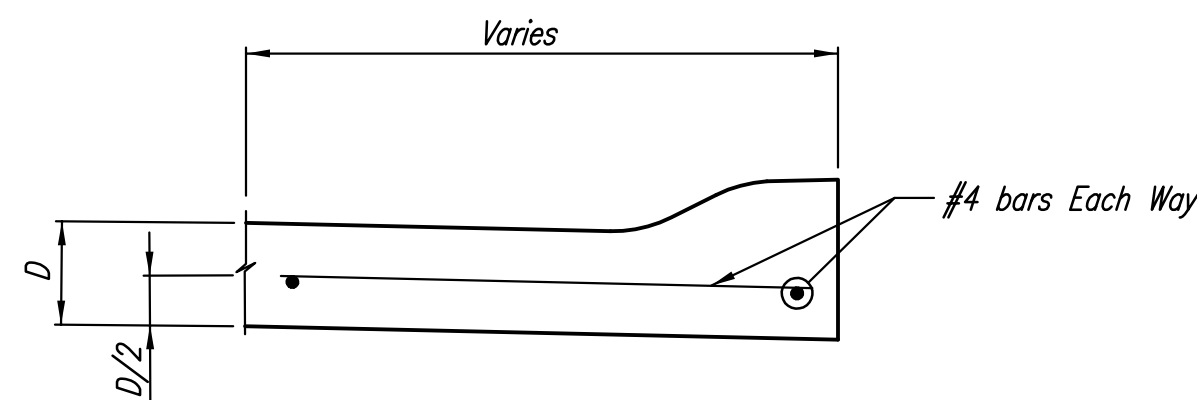


WING REINFORCING DETAIL

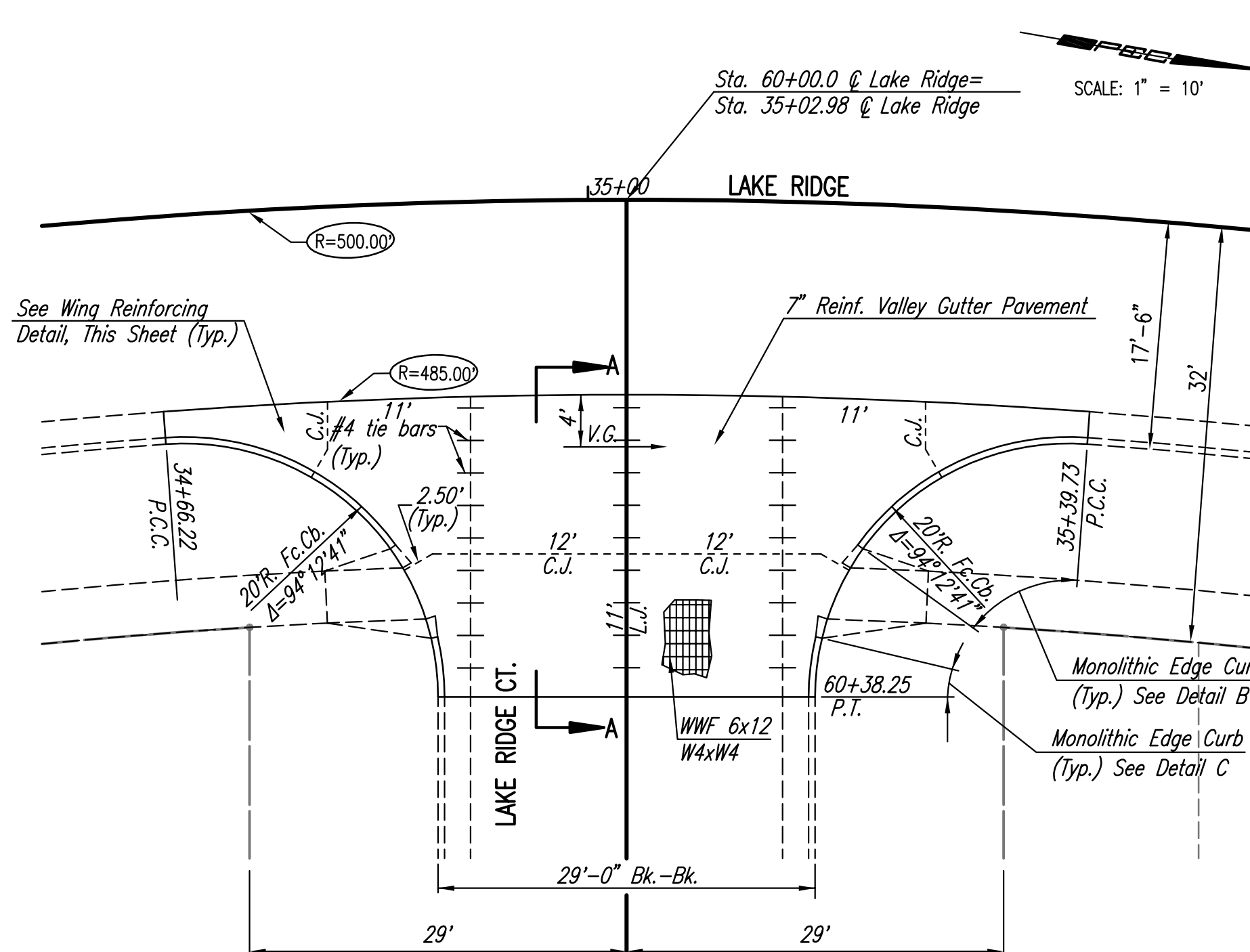
NOTE: OMIT WIRE FABRIC REINFORCING IN THIS SECTION.



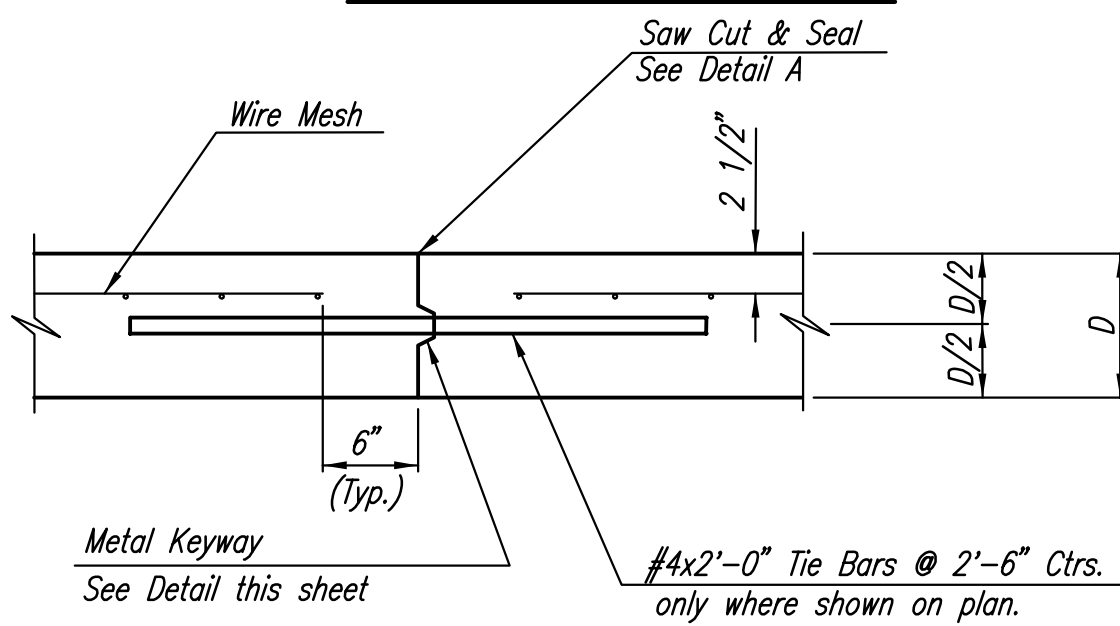
SECTION C-C



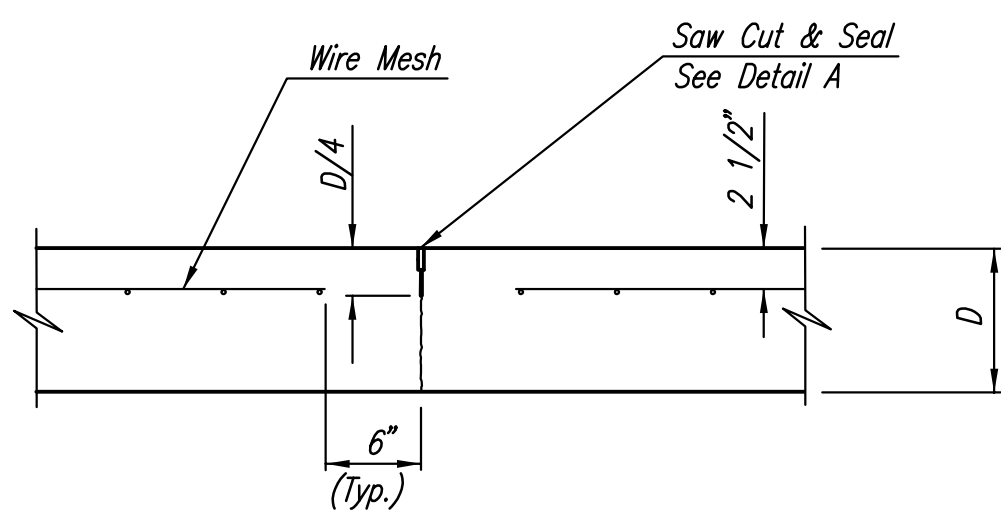
SECTION C-C
(ROLL-TYPE CURB)



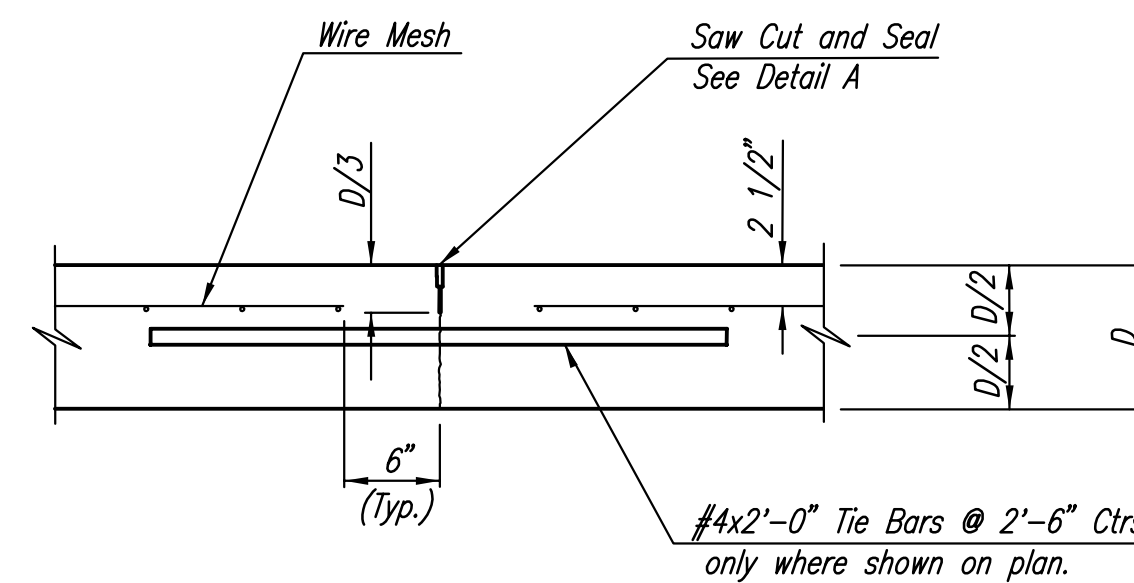
PLAN
REINFORCED VALLEY GUTTER



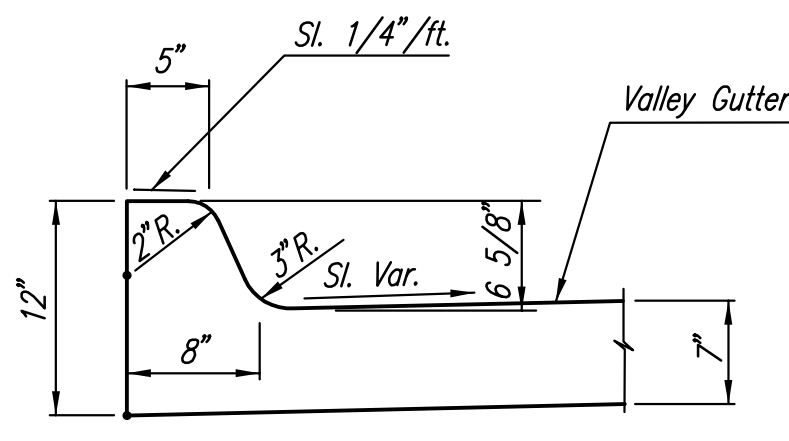
LONGITUDINAL CONSTRUCTION JOINT DETAIL
REINFORCED PAVEMENT
(TRANSVERSE SECTION)
(ALTERNATE L.J.)



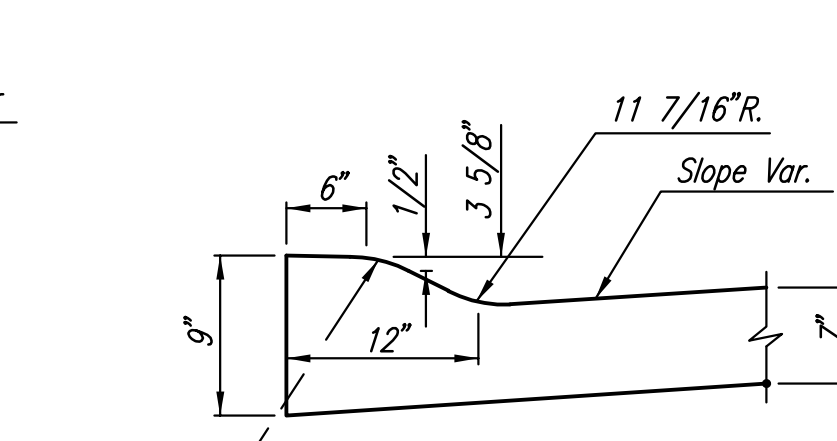
CONTRACTION JOINT DETAIL
REINFORCED PAVEMENT
(C.J.)



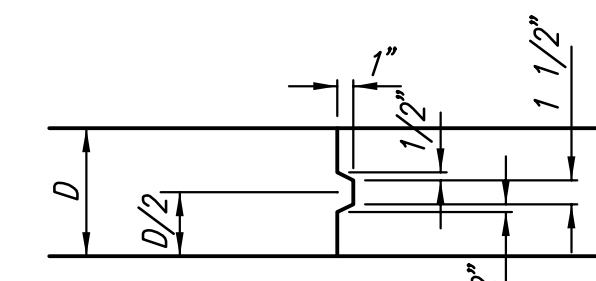
LONGITUDINAL JOINT DETAIL
REINFORCED PAVEMENT
(TRANSVERSE SECTION)
(L.J.)



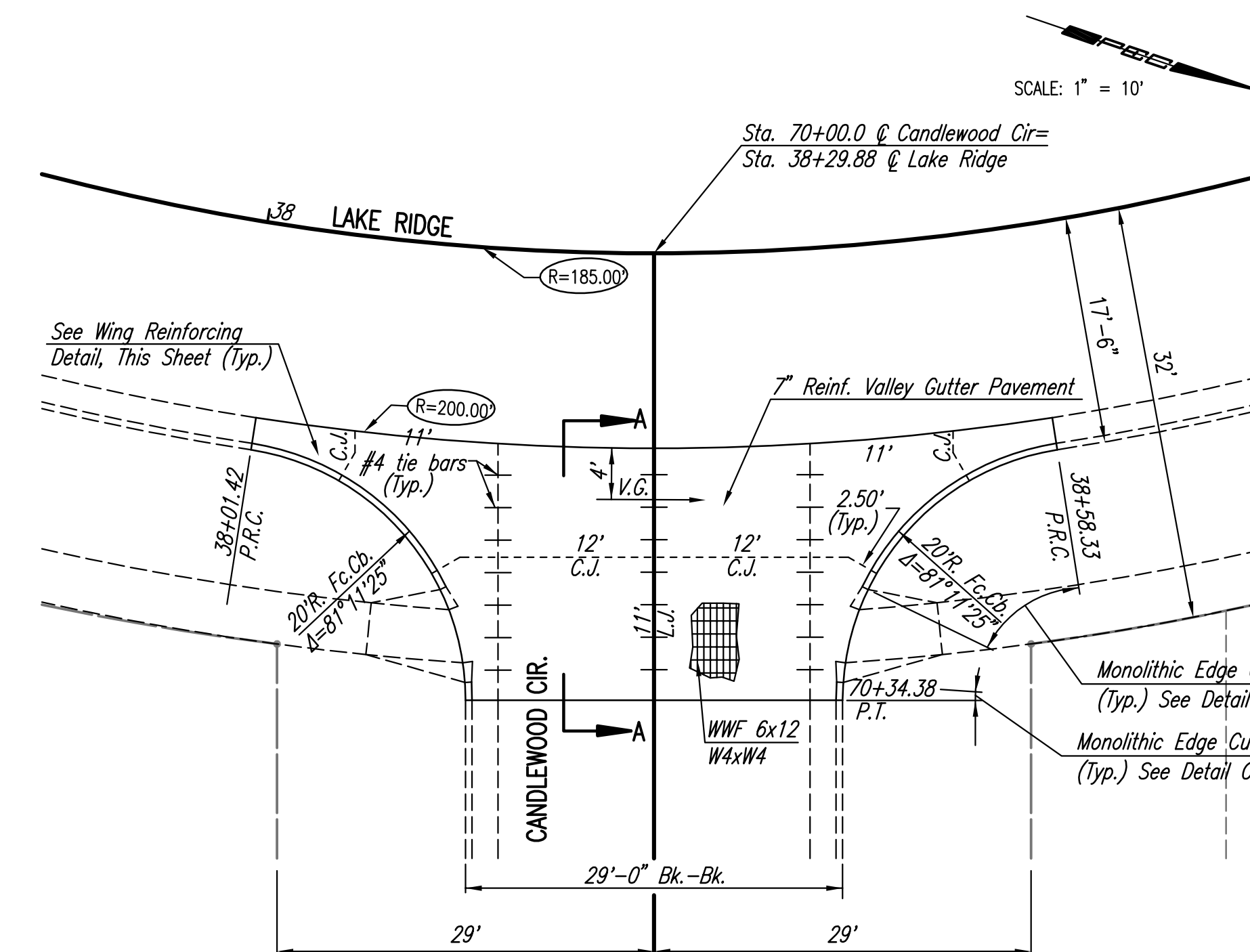
DETAIL B



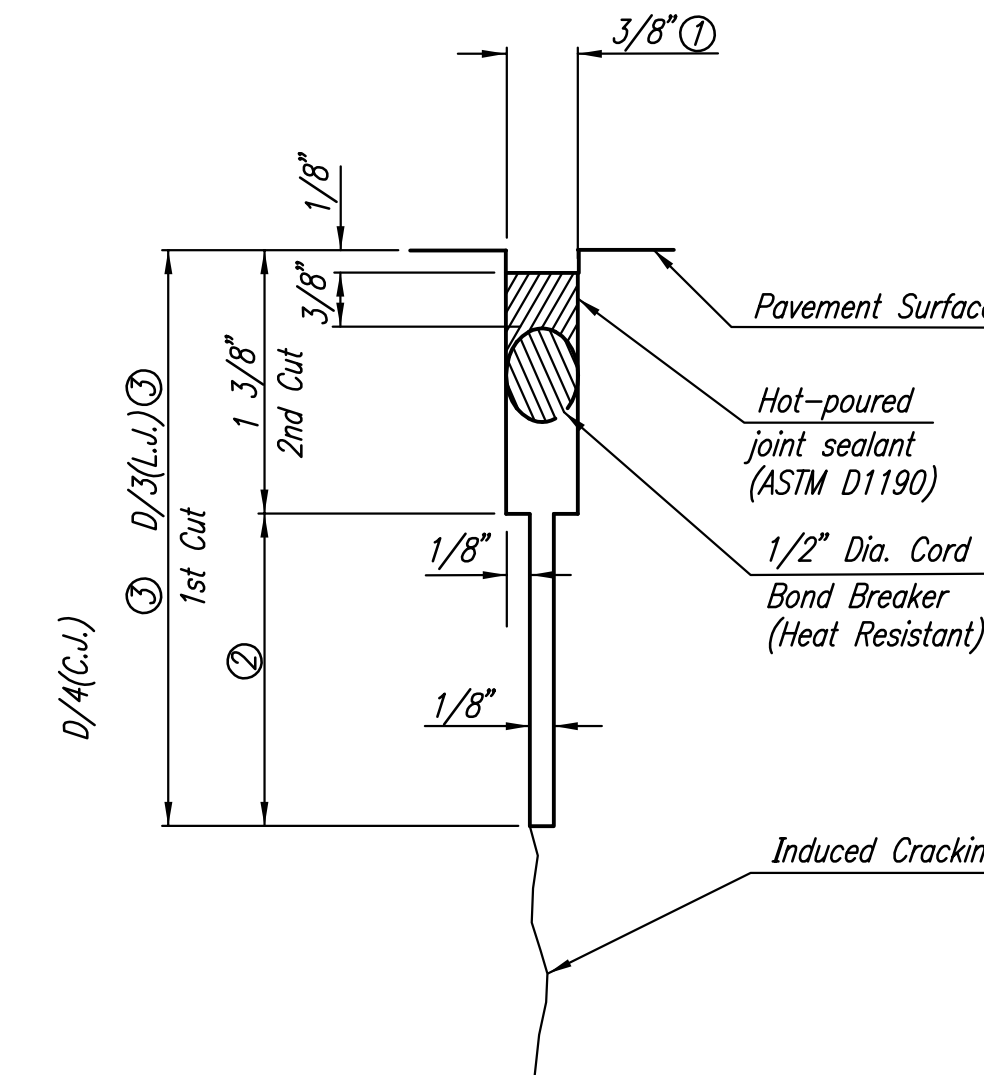
DETAIL C
(ROLL-TYPE CURB)



KEYWAY DETAIL



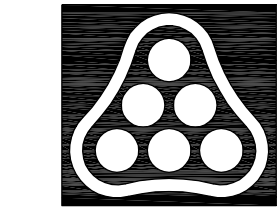
PLAN
REINFORCED VALLEY GUTTER



DETAIL A

- ① To be accomplished in 2 cuts for Longitudinal Joints and Contraction Joints. Initial cut to be 1/8" wide.
- ② Eliminate bottom of cut when metal keyway is used as part of Longitudinal or Transverse Construction Joint and at Doweled Construction Joint Locations.
- ③ 1 1/2" Minimum

Scaled 09-11-2007 11:57:40 AM by BJB
 Plot Scale 1:10 09-12-2007 7:24:26 AM by BJB
 C:\2007\07150\000\07150-000-C-VG\GUTPLAN



No.	Revision	By	Date
AVALON PARK 3RD AND 4TH ADDITION-PHASE 1 VALLEY GUTTER PLAN JAMES L. ARMOUR, P.E. - CITY ENGINEER CITY OF WICHITA PROJECT NO. 472-84441 Professional Engineering Consultants, P.A. 303 S. TOPKA • WICHITA, KANSAS 67202 316-262-2691 • FAX 316-262-3003			
Designed by	BMM	Job No.	35-07150-000
Drawn by	BJS, TAT	Date	April 2007
			Sheet 19 of 68