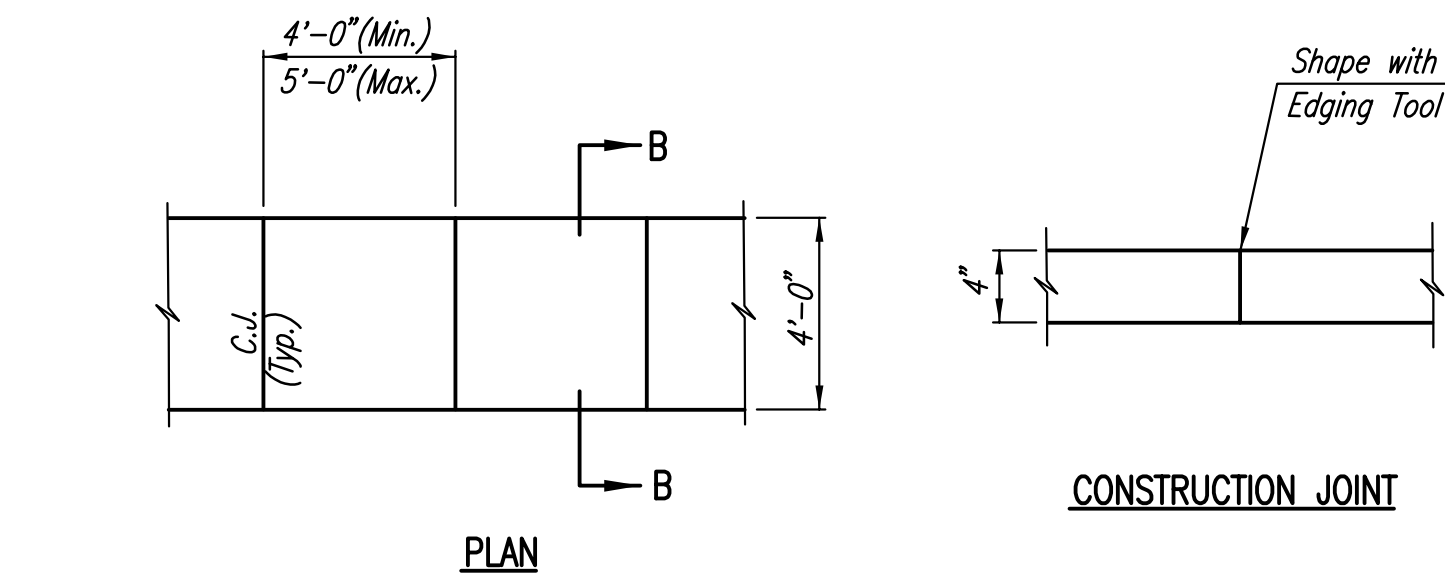
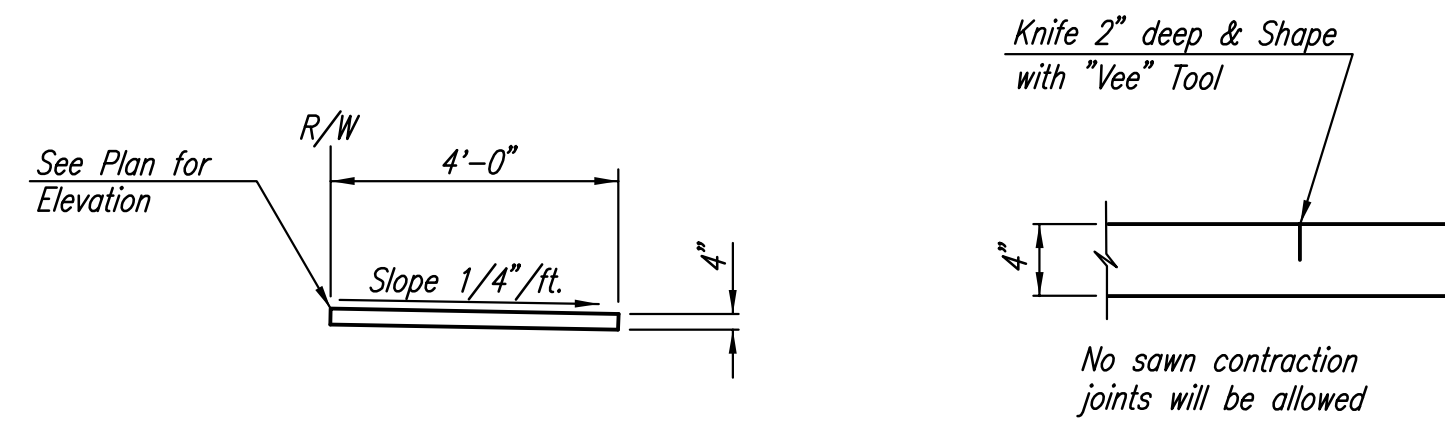


**COMPACTED FILL DETAIL**  
WHERE SIDEWALK IS CONSTRUCTED  
(See Plan Sheets for Locations)

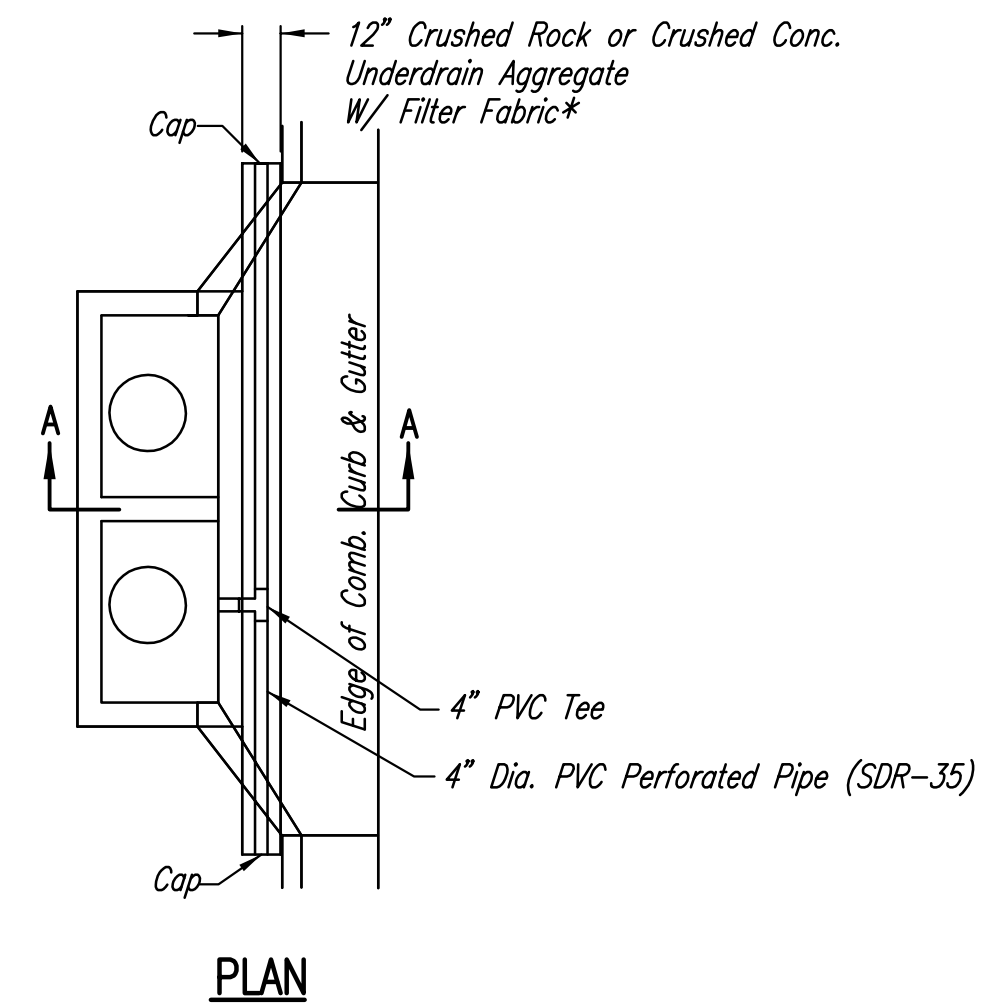


**CONSTRUCTION JOINT**



**CONTRACTION JOINT**

**4" WALK DETAILS**



**PLAN**

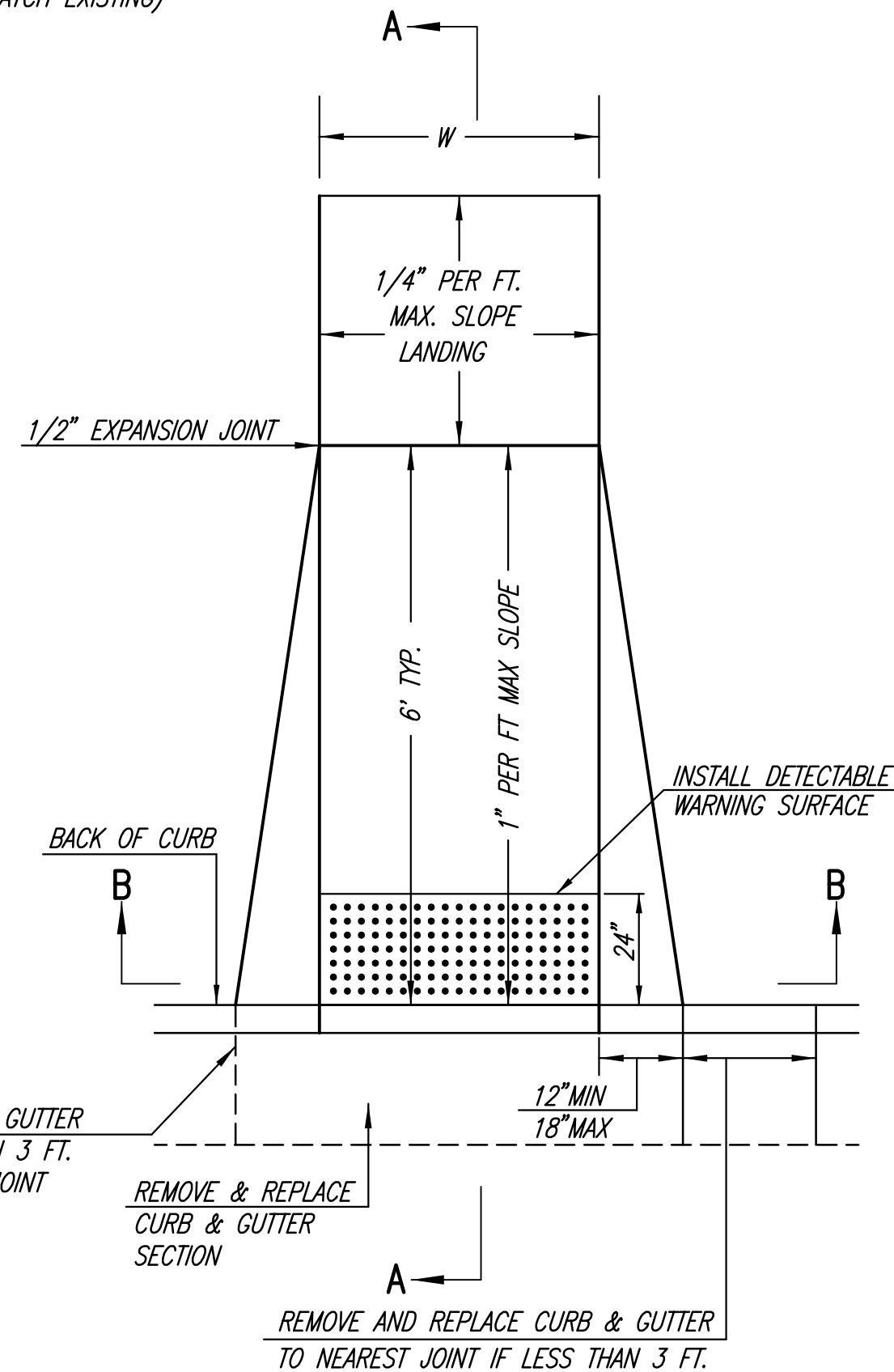
\* UNDERDRAIN AGGREGATE  
PERCENT OF AGGREGATE RETAINED

1"	0
3/4"	0-10
3/8"	45-80
#4	90-100
#8	95-100

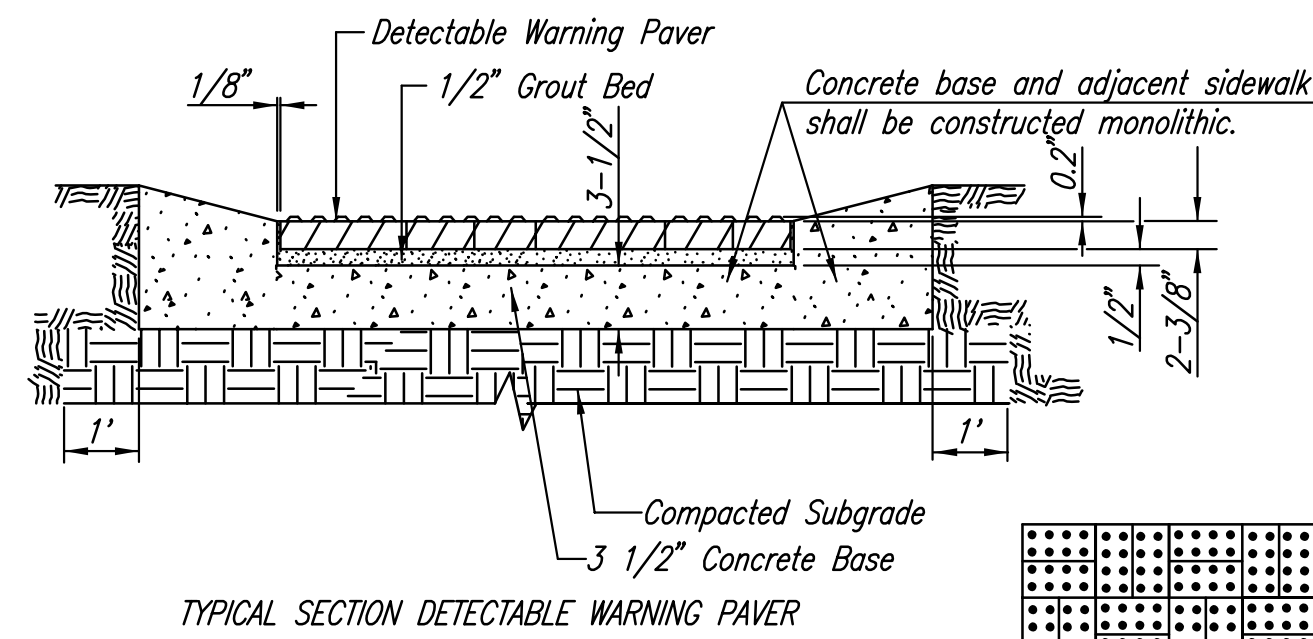
ROCK QUALITY SHALL CONFORM TO THE REQUIREMENTS SPECIFIED BY THE KDOT 1990 EDITION STANDARD SPECIFICATION SUBSECTION 1102 FOR DURABILITY CLASS 1.

PAVEMENT UNDERDRAIN LOCATIONS		
STREET	STATION	SIDE
LAKE RIDGE CT.	50+87.48(Extended)	C
LAKE RIDGE CT.	66+93.71(Extended)	LT.
CANDLEWOOD CIR.	76+68.84(Extended)	LT.

W= 4'-0" FOR STANDARD RAMP  
W= 5'-0" FOR RAMPS AT SCHOOL CROSSWALKS  
(OR TO MATCH EXISTING)



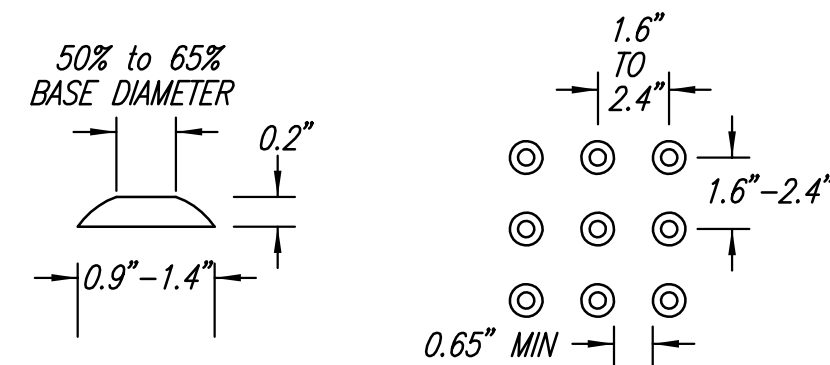
**(TYPE A)**  
STANDARD WHEELCHAIR RAMP  
WITH DETECTABLE WARNING  
CONSTRUCTION DETAIL FOR STREETS  
WITH COMBINED CURB & GUTTER



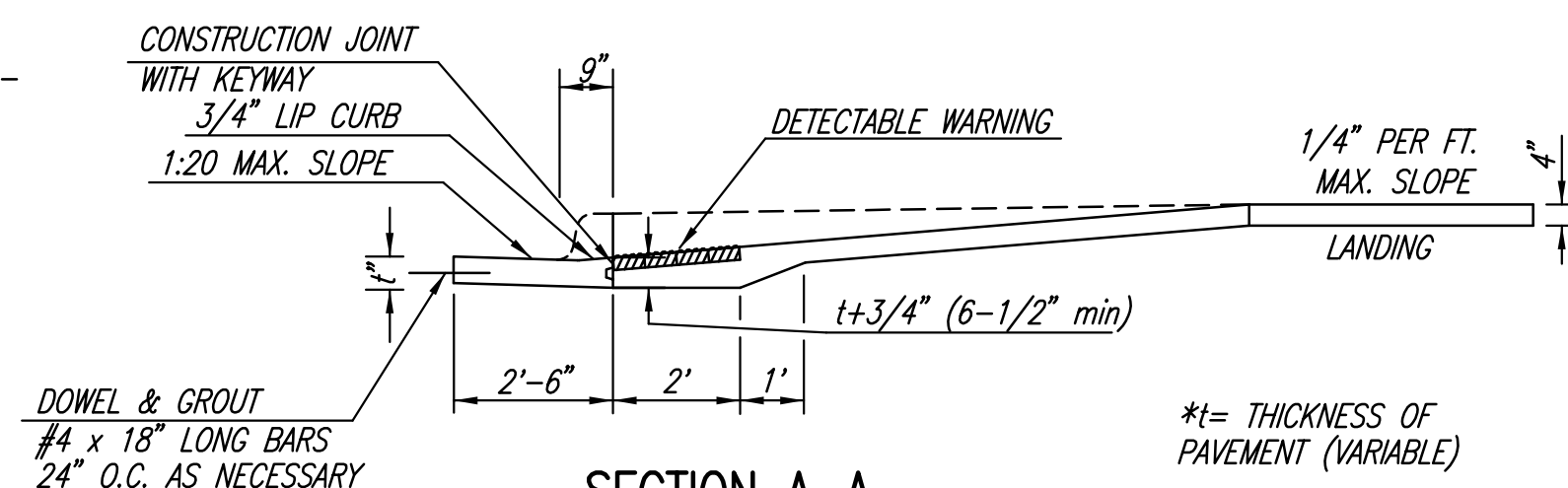
**TYPICAL SECTION DETECTABLE WARNING PAVER**

NOTE: RAMPS TO COMPLY WITH LATEST ADAAG GUIDELINES. PAVESTONE DETECTABLE WARNING PAVERS (OR AN APPROVED EQUAL) SHALL BE USED IN ALL WHEELCHAIR RAMPS. THE RED PAVER SHALL BE INSTALLED USING A BASKET WEAVE/PARQUET PATTERN. OTHER PATTERNS MAY BE USED WITH APPROVAL OF ENGINEER. SAND FILL JOINTS. ALIGN DOMES IN THE DIRECTION OF PEDESTRIAN TRAVEL.

**SECTION B-B**

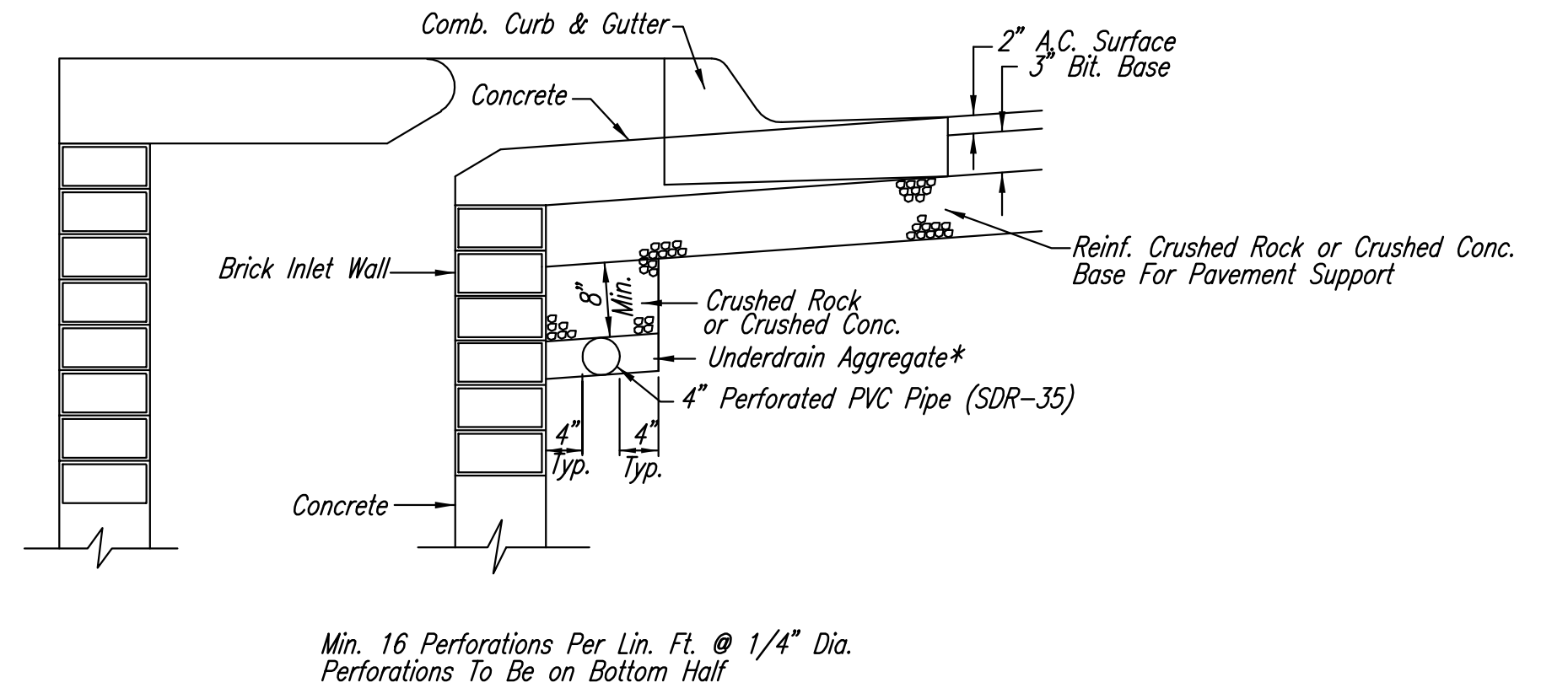


**DOMES DETAIL**



**TYPICAL WHEELCHAIR RAMP DETAILS**

AUGUST 4, 2003



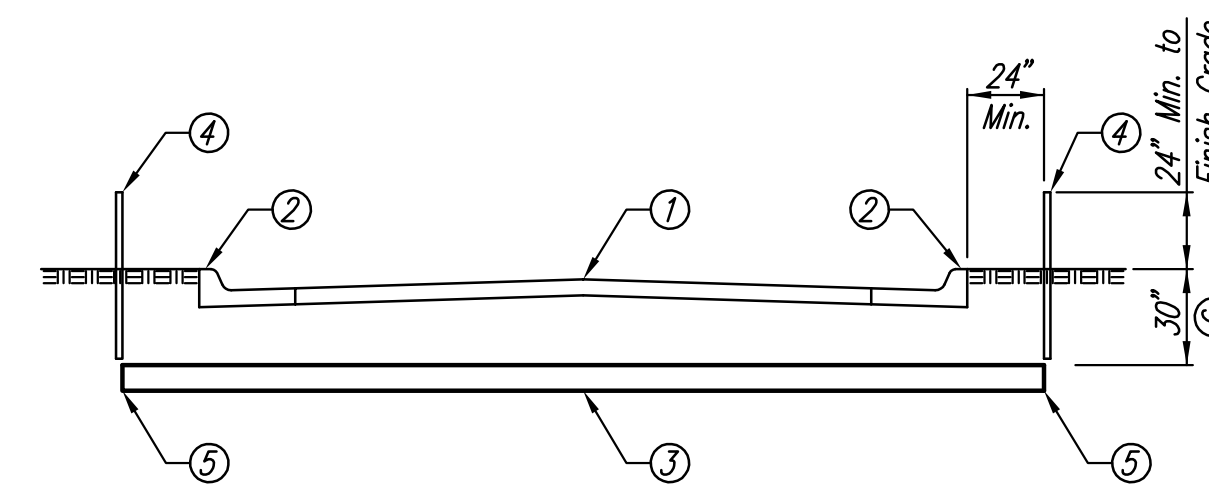
**SECTION A-A**

**PAVEMENT UNDERDRAIN DETAIL**

NOTE: PLACE 4" PVC PERFORATED PIPE AT ALL DRAINAGE SUMP LOCATIONS.

COST OF UNDERDRAIN SYSTEM TO BE INCIDENTAL TO THE REINFORCED CRUSHED ROCK OR REINFORCED CRUSHED CONCRETE BASE.

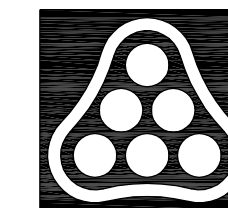
INLET TYPE MAY VARY FROM THAT SHOWN.



**CLASS 200 PVC SLEEVES**

Note: Pipe, Caps, Markers, and Installation Thereof Shall be Subsidiary to Combined Curb & Gutter (6 5/8" & 1 1/2").

- 1 Pavement/Street
- 2 Permanent Mark on Top of Curb, Stamped in Wet Concrete—"s"
- 3 8" Class 200 PVC Sleeve Extended 2' Past Back of Curbs. Sleeves Shall be Bedded and Backfilled in Accordance with City of Wichita Specifications for Flexible Sanitary/Storm Sewer Pipe.
- 4 Temporary T-Post Marker, Until Permanent Mark is Made in Concrete (2 Per Sleeve)
- 5 8" PVC Caps-Not Glued (2 Per Sleeve)
- 6 Adjust Depth Where Necessary to Avoid Other Utilities.



No.	Revision	By	Date
AVALON PARK 3RD AND 4TH ADDITION-PHASE 1			
<b>MISCELLANEOUS PAVING DETAILS</b>			
JAMES L. ARMOUR, P.E.- CITY ENGINEER CITY OF WICHITA PROJECT NO. 472-84441 <b>Professional Engineering Consultants, P.A.</b> 303 S. TOPEKA • WICHITA, KANSAS 67202 316-262-2691 • FAX 316-262-3003			
Designed by	BMM	Job No.	35-07150-000
Drawn by	BJS, TAT	Date	April 2007
			Sheet 20 of 68