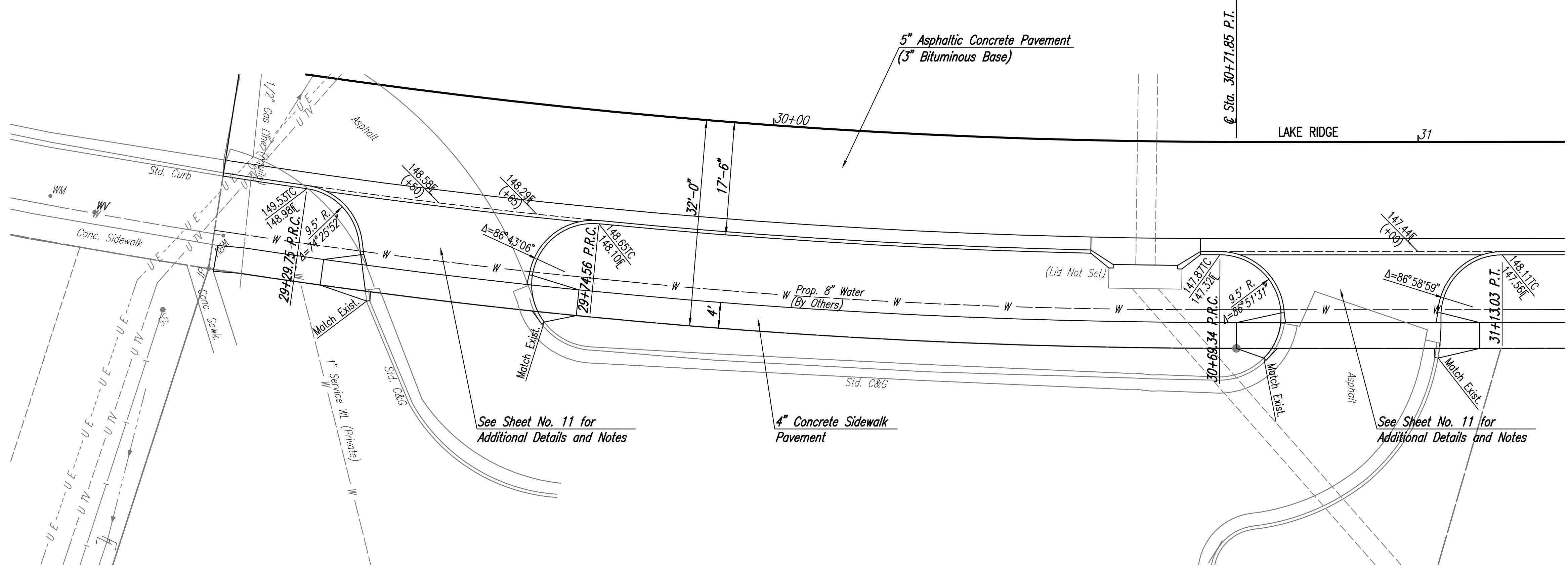
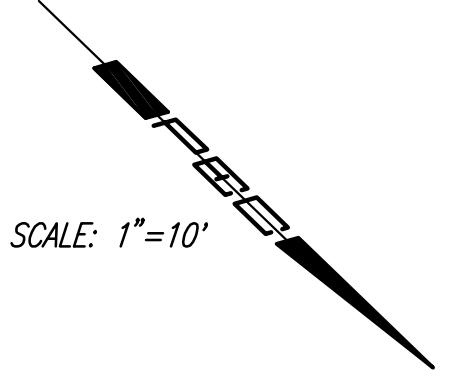


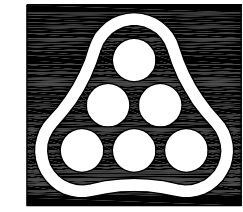
SCALE: 1"=10'



See Sheet No. 11 for Additional Details and Notes

See Sheet No. 11 for Additional Details and Notes

Saved: 09-11-2007 1:53:46 PM by BJB  
 Plot Scale: 1:10 09-12-2007 7:27:02 AM by BJB  
 G:\2007\07150\000\07150-000-C-DRIVE ENTRANCE PLAN



No.	Revision	By	Date
AVALON PARK 3RD AND 4TH ADDITION-PHASE 1			
<b>DRIVE ENTRANCES PLAN</b>			
JAMES L. ARMOUR, P.E. - CITY ENGINEER CITY OF WICHITA PROJECT NO. 472-84441			
<b>Professional Engineering Consultants, P.A.</b> 303 S. TOPEKA • WICHITA, KANSAS 67202 316-262-2691 • FAX 316-262-3003			
Designed by	BMM	Job No.	35-07150-000
Drawn by	BJS, TAT	Date	April 2007
			Sheet 21 of 68