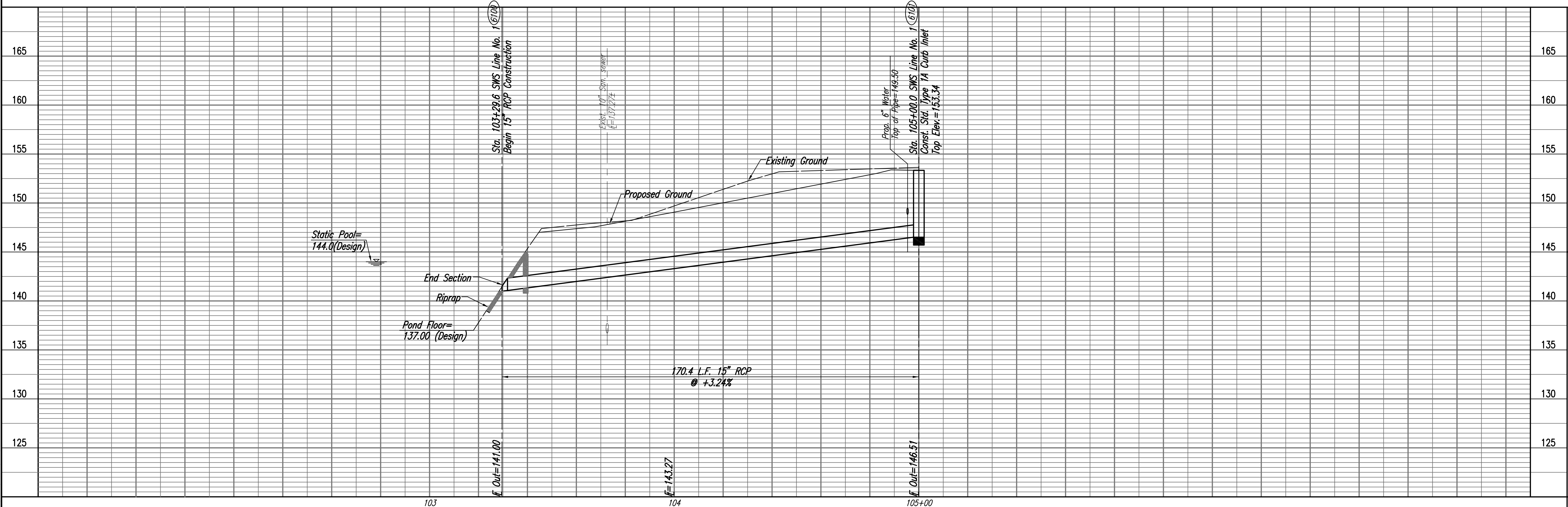
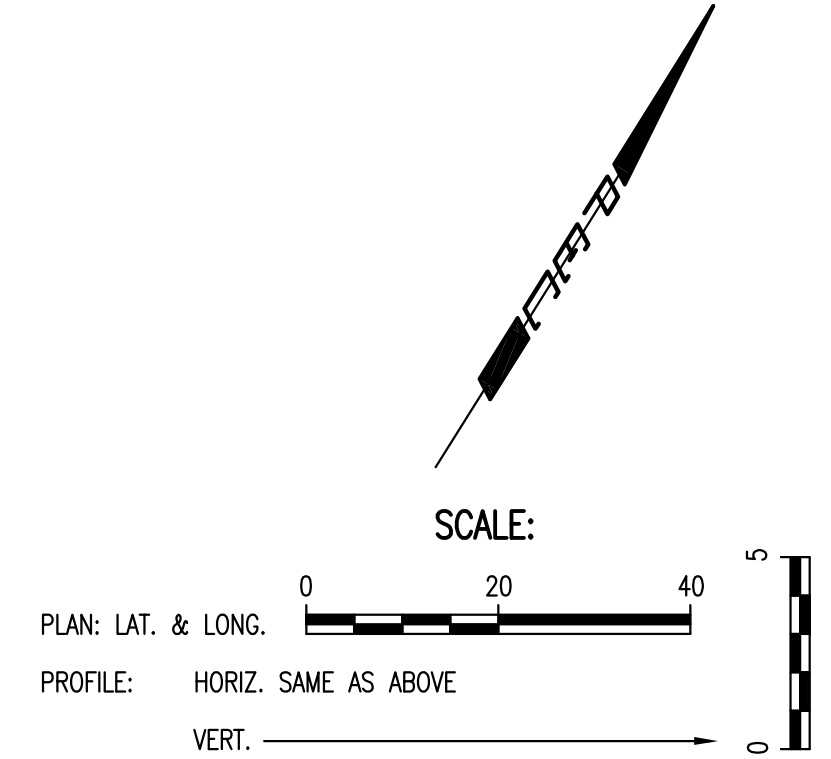
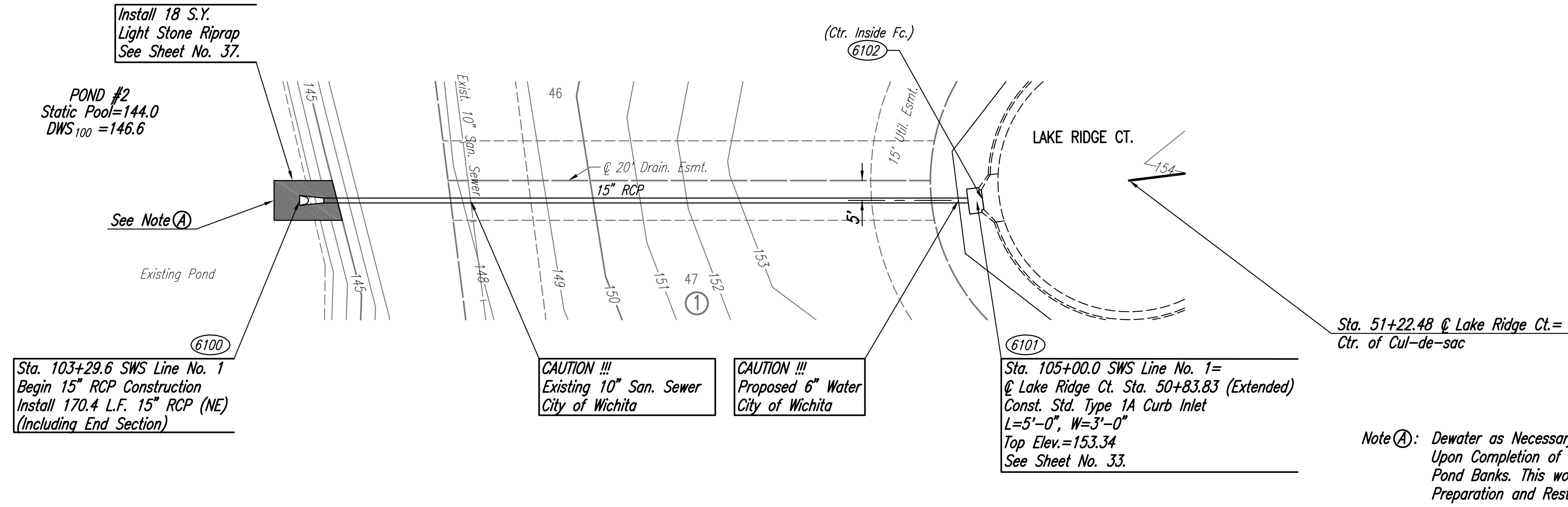


PLAN	CHECKED	CHECKED	BY	DATE

PROFILE	CHECKED	CHECKED	BY	DATE

COORDINATE LIST		
POINT	NORTH	EAST
6100	11,382.2047	10,720.0598
6101	11,472.7394	10,864.4191
6102	11,473.6940	10,865.5762

⑥100 = COORDINATE POINT NO.
SEE SHEET NO. 5 FOR PLAT COORDINATES



Drawn: 09-11-2007 2:05:36 PM by BJB
Plot Scale: 1:20 09-12-2007 7:30:31 AM by BJB
09-2007 07150 000 07150-000-C-SWSLINE1

Professional Engineering Consultants, P.A.
309 S. TORRENS, WICHITA, KANSAS 67202
316-262-2291 • FAX 316-262-3063

Designed By: BMM
Drawn By: BUS, FAT

Job No.: 35-07150-000
Date: April 2007

Sheet 23 of 68

AVALON PARK 3RD AND 4TH ADDITION-PHASE 1
SWS LINE NO. 1
JAMES L. ARMOUR, P.E.-CITY ENGINEER
CITY OF WICHITA PROJECT NO. 472-84441