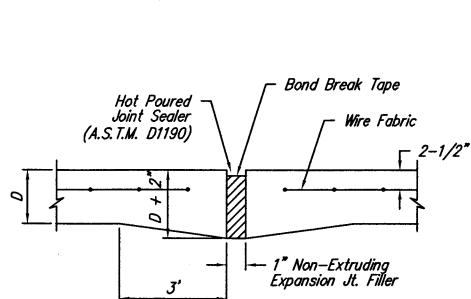
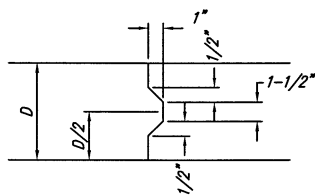


STANDARD WHEELCHAIR RAMP CONSTRUCTION DETAIL FOR CONCRETE STREETS WITH MONOLITHIC CURB (TYPE A)

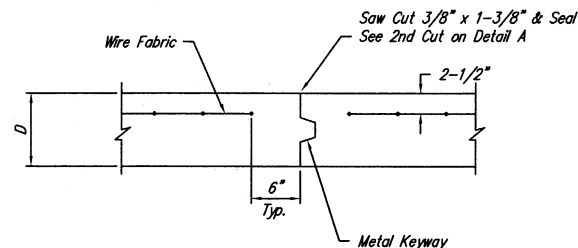


EXPANSION JOINT

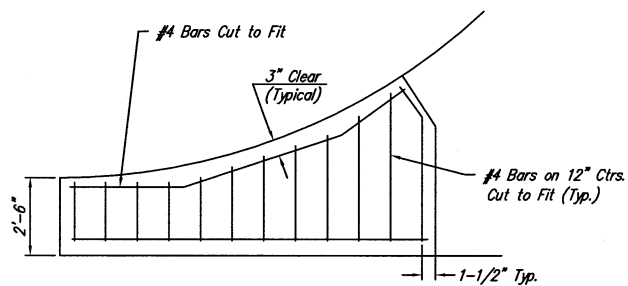
NOTE: Extra Thickness to be Subsidiary to Price of Square Yards Pavement



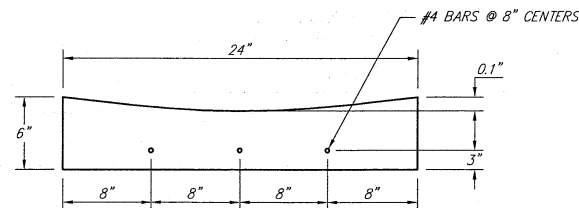
KEYWAY DETAIL



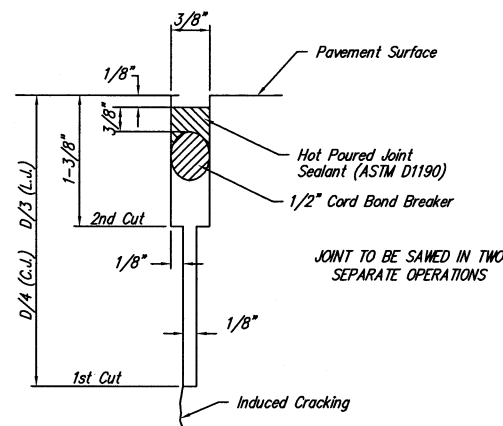
OPTIONAL CONTRACTION JOINT



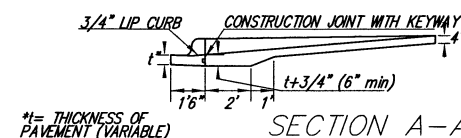
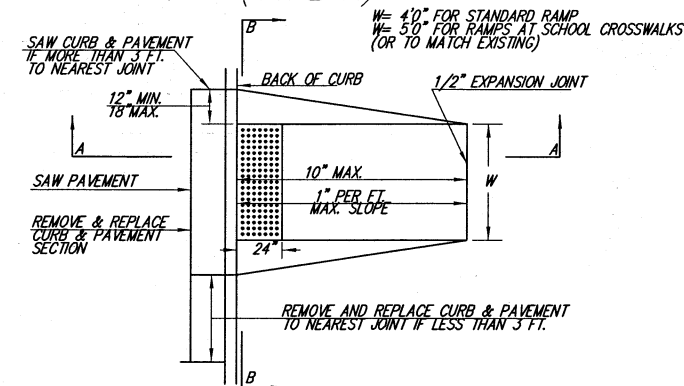
WING REINFORCING DETAIL



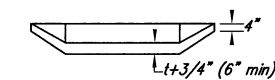
CONCRETE FLUME DETAIL



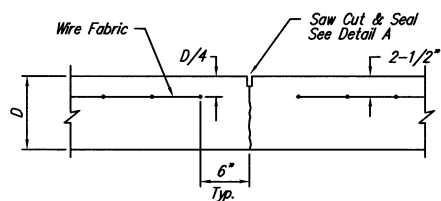
SAW JOINT DETAIL



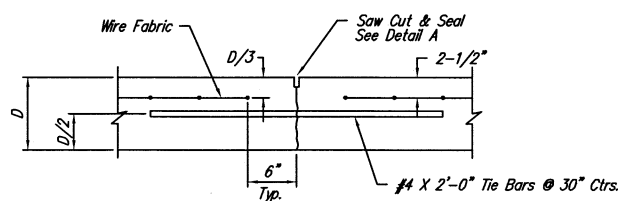
SECTION A-A



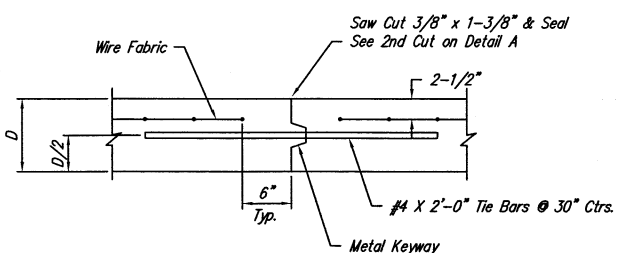
SECTION B-B



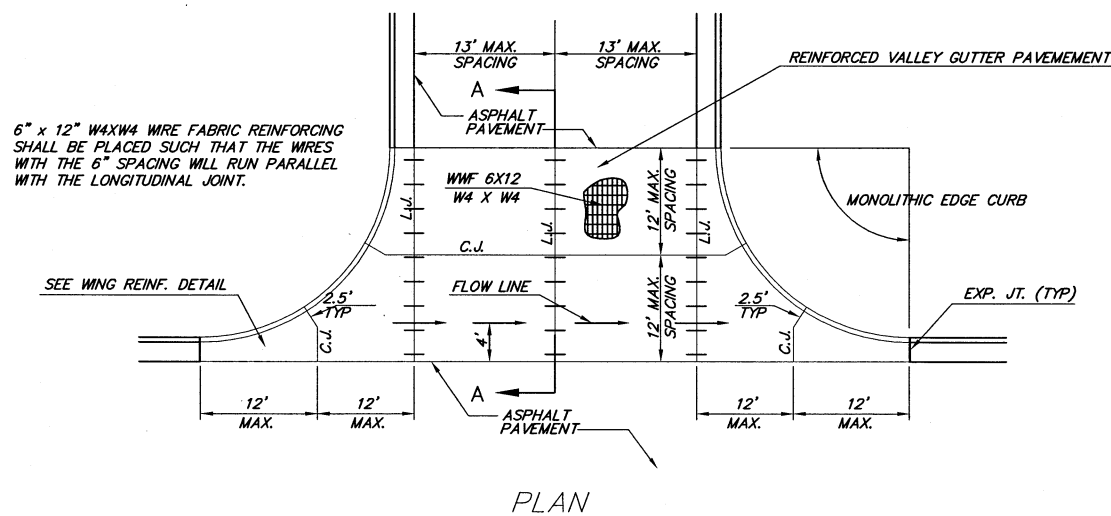
CONTRACTION JOINT DETAIL (C.J.)



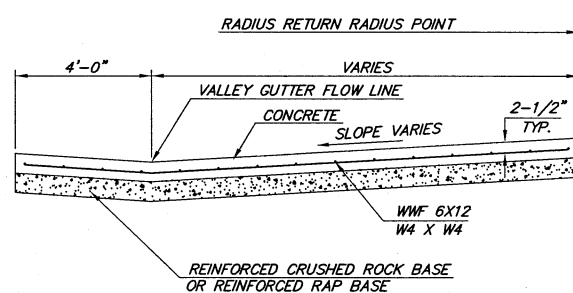
LONGITUDINAL JOINT DETAIL (L.J.)



OPTIONAL LONGITUDINAL JOINT DETAIL (L.J.)



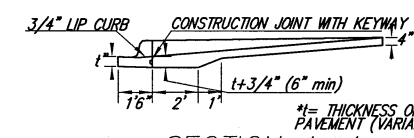
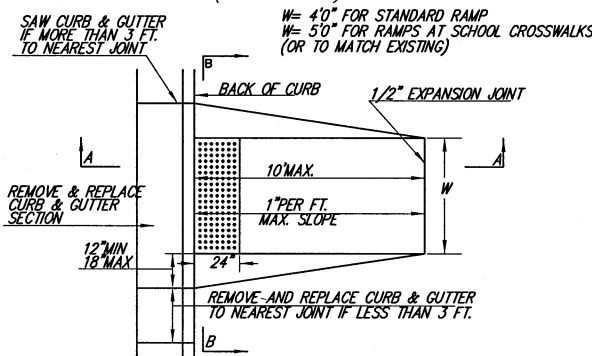
PLAN



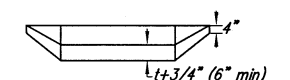
SECTION A-A

REINFORCED VALLEY GUTTER DETAIL

STANDARD WHEELCHAIR RAMP CONSTRUCTION DETAIL FOR STREETS WITH COMBINED CURB & GUTTER (TYPE A)



SECTION A-A



SECTION B-B

8-28-07

THE CITY OF WICHITA
CITY ENGINEER'S OFFICE
455 NORTH MAIN STREET
WICHITA, KANSAS 67202
(316) 268-4500
(316) 268-4114 FAX

VALLEY GUTTER DETAILS

WHEELCHAIR RAMP DETAILS

PROJECT NUMBER	OCA #
472-84544	766139
DATE	SHEET
MAR 96	4 OF 45