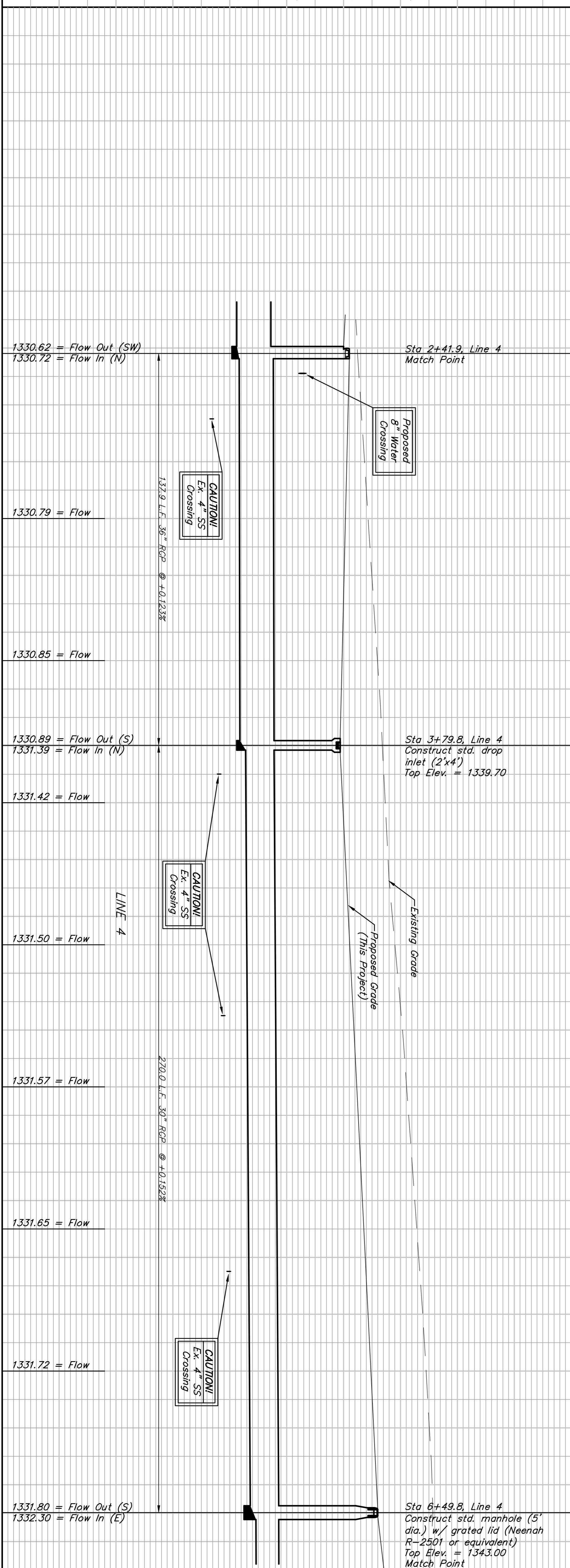
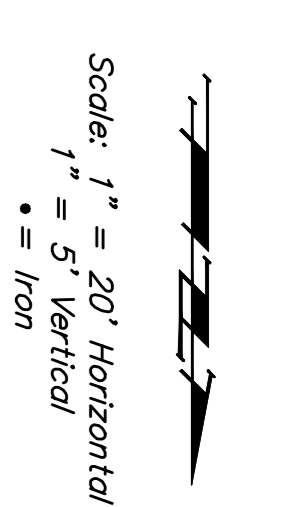
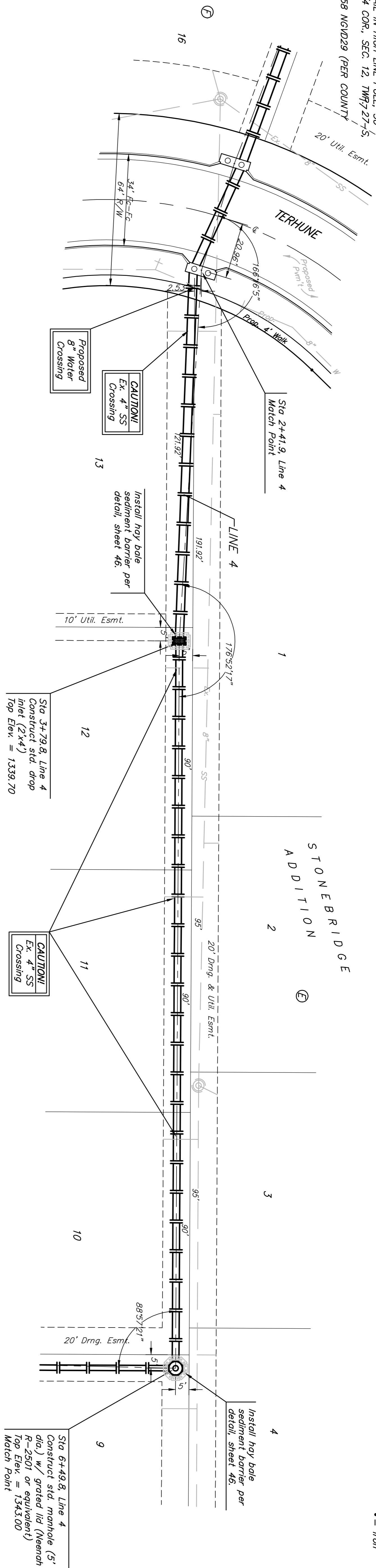


BENCHMARK:
 BM #1: "CUT, TOP OF CURB, S. SIDE OF
 SUNDANCE AS DEDICATED IN SAVANNA AT
 CASTLE ROCK RANCH 7TH ADDITION, 25.4' W
 OF THE WEST LINE OF THE SE1/4 OF SEC.
 12, TWP. 27-S, R-2-E
 ELEV. = 1347.33 NGVD29

BM #2: 604 NAIL IN HIGH LINE POLE, 30'
 SOUTH OF ST/4 COR., SEC. 12, TWP. 27-S,
 R-2-E
 ELEV. = 1348.58 NGVD29 (PER COUNTY
 RECORD)



Baughman		STONEBRIDGE ADDITION	
LINE 4		STORM WATER SEWER IMPROVEMENTS	
Baughman Company, P.A. 310 Main St., Suite 201, P.O. Box 22721, Philadelphia, PA 19126-0271			
ENGINEERING SURVEYING PLANNING LANDSCAPE ARCHITECTURE			
PROJECT NUMBER 468-44395	DESIGN ATD	DRAWN TMS	DATE 09/07
REVISIONS	APPROVED	SCALE None	SHEET 7 OF 51
Stonebridge, SWS6			

1330
1335
1340
1345