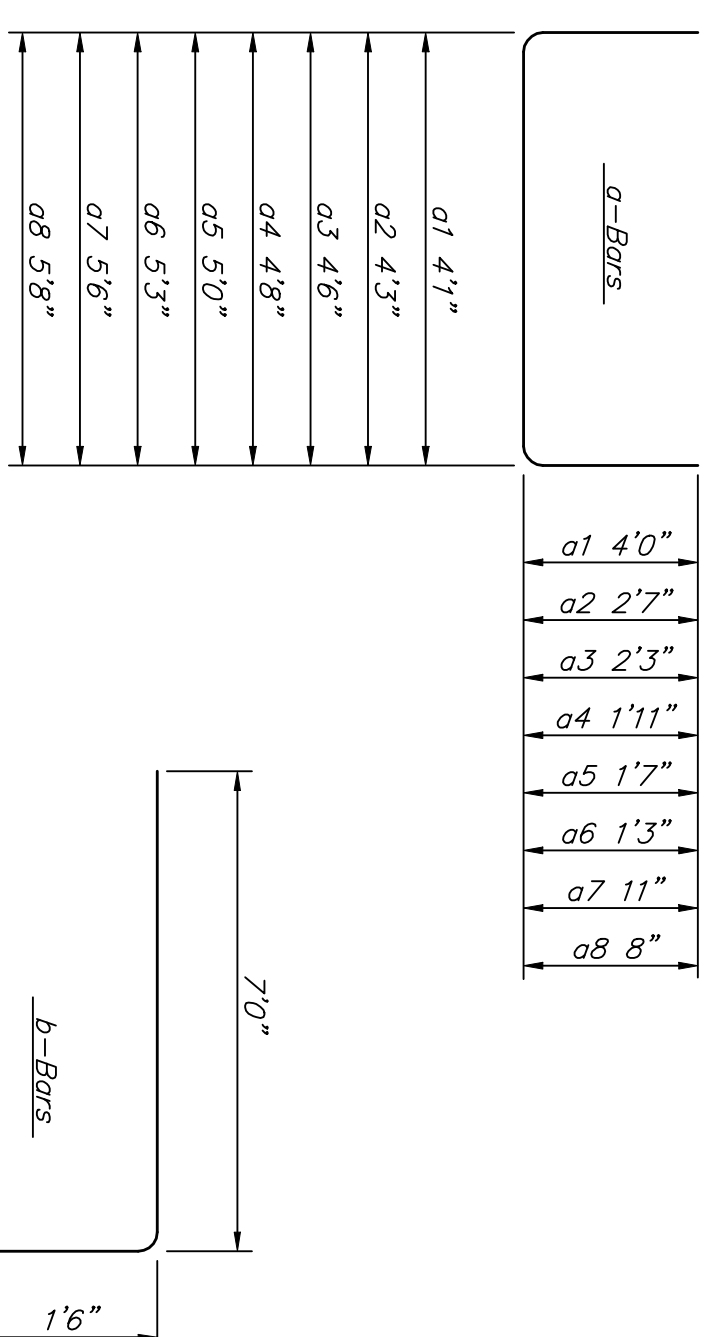
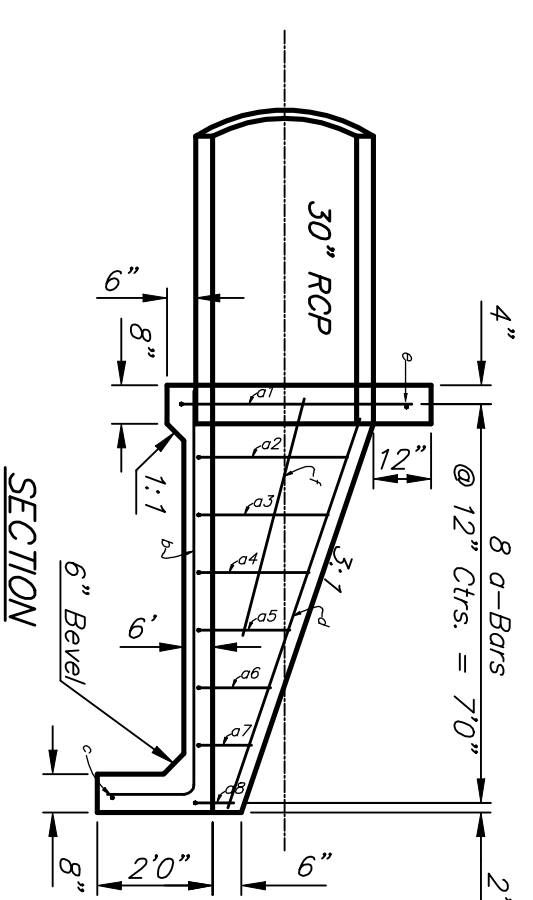
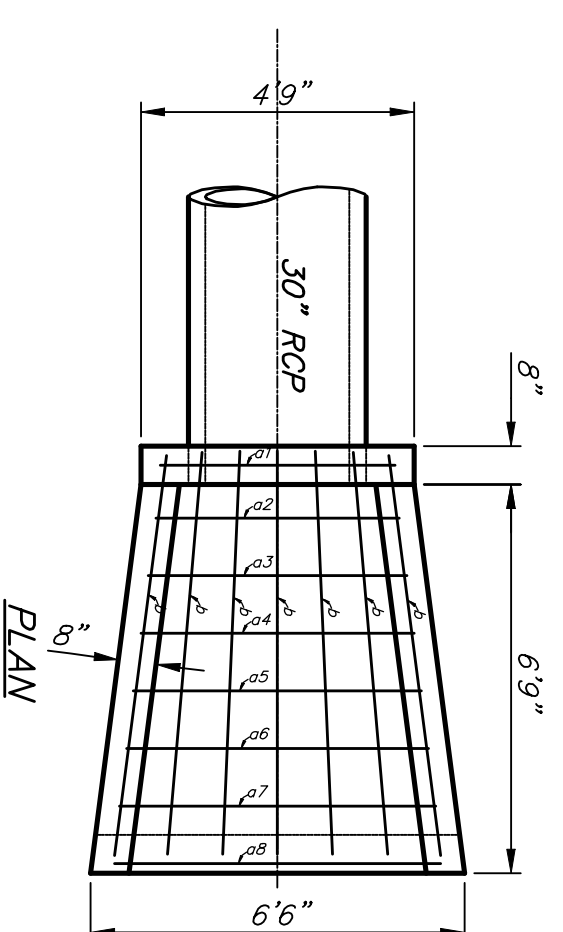


Bar	Shape	No.	Length	Weight
a1	□	1	9'5"	6.29
a2	□	1	7'7"	5.07
a3	□	1	7'2"	4.79
a4	□	1	6'9"	4.51
a5	□	1	6'4"	4.23
a6	□	1	6'1"	4.06
b1	□	2	2'9"	3.67
b2	□	2	5'10"	2.79
c	□	6	6'11"	27.72
d	□	1	5'10"	3.72
e	□	1	3'10"	2.56
Total Rebar				74.03 Lbs.
Concrete				1.40 C.Y.

A Deduction in Concrete Quantities Has Been Made for Pipe Openings Through the Headwall
 * Field Bend or Cut Reinforcing as Required for Clearance.
 All Concrete Reinforcement to be #4 Rebar
 All Rebar to Have Min. of 1 1/2" Conc. Cover

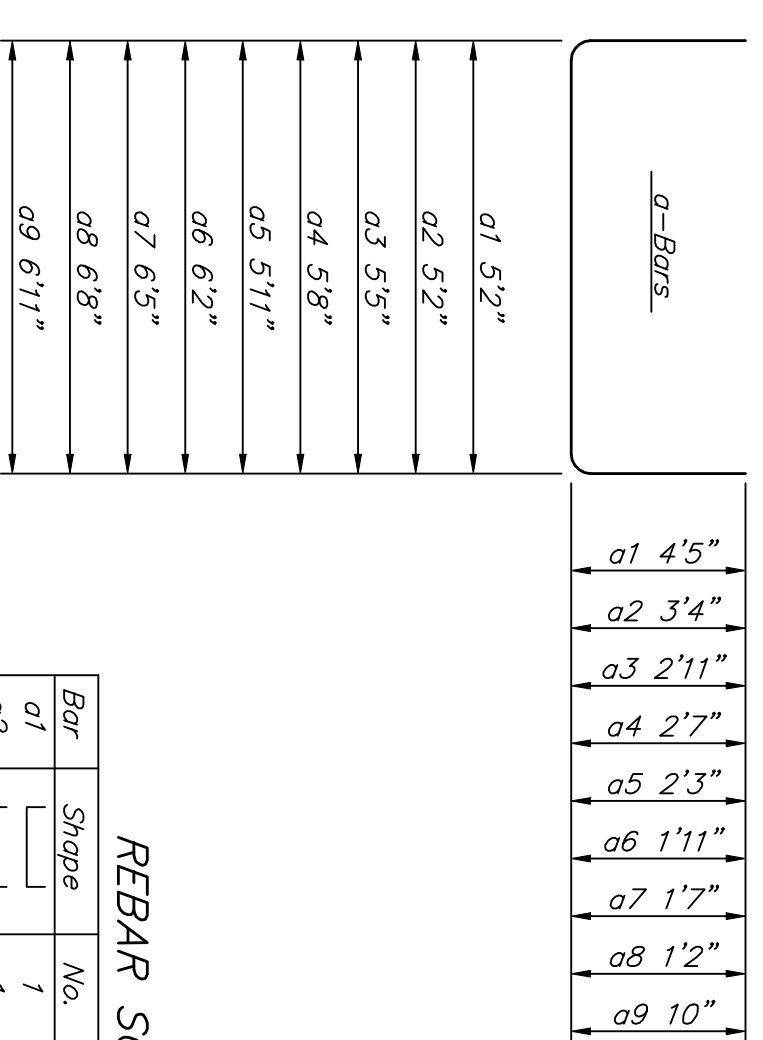
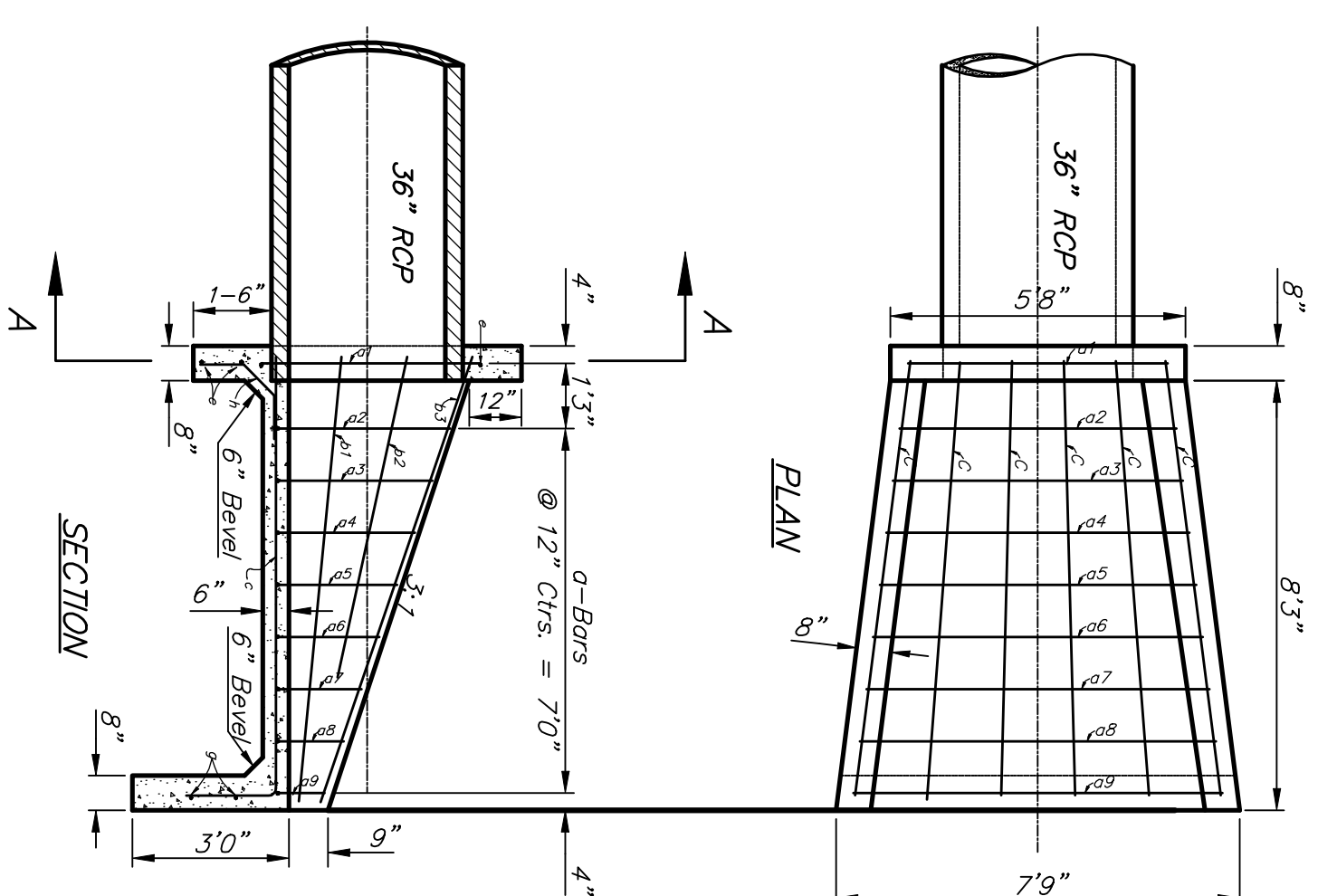
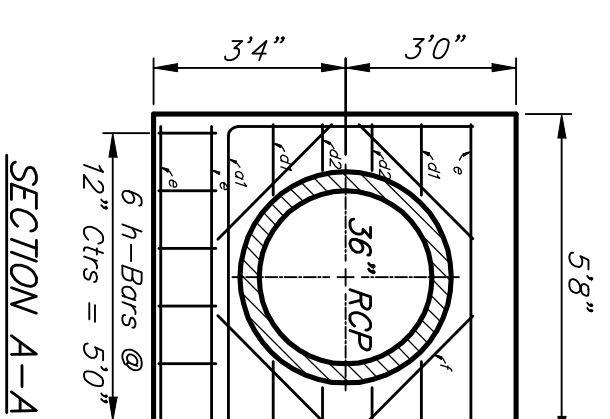
HEADWALL FOR 24" RCP



Bar	Shape	No.	Length	Weight
a1	□	1	12'1"	8.07
a2	□	1	9'5"	6.29
a3	□	1	9'0"	6.01
a4	□	1	8'6"	5.68
a5	□	1	8'2"	5.46
a6	□	1	7'9"	5.18
a7	□	1	7'4"	4.90
a8	□	1	7'0"	4.68
b	□	7	8'6"	35.07
c	□	1	6'0"	4.01
d	□	2	7'6"	10.02
e	□	1	4'5"	2.95
f	□	2	4'3"	5.68
Total Rebar				104.00 Lbs.
Concrete				2.19 C.Y.

A Deduction in Concrete Quantities Has Been Made for Pipe Openings Through the Headwall
 * Field Bend or Cut Reinforcing as Required for Clearance.
 All Concrete Reinforcement to be #4 Rebar
 All Rebar to Have Min. of 1 1/2" Conc. Cover

HEADWALL FOR 30" RCP



Bar	Shape	No.	Length	Weight
a1	□	1	14'0"	9.35
a2	□	1	11'10"	7.90
a3	□	1	11'3"	7.52
a4	□	1	10'10"	7.24
a5	□	1	10'5"	6.96
a6	□	1	10'0"	6.68
a7	□	1	9'7"	6.40
a8	□	1	9'0"	6.01
a9	□	1	8'7"	5.73
b1	□	2	8'5"	11.24
b2	□	2	4'7"	6.12
b3	□	2	9'0"	12.02
c	□	6	10'4"	41.42
d1	□	4	1'6"	4.01
d2	□	4	10"	2.23
e	□	3	5'4"	10.69
f	□	4	3'0"	8.02
g	□	2	7'0"	9.35
h	□	6	2'6"	10.02
Total Rebar				178.91 Lbs.
Concrete				3.20 C.Y.

A Deduction in Concrete Quantities Has Been Made for Pipe Openings Through the Headwall
 * Field Bend or Cut Reinforcing as Required for Clearance.
 All Concrete Reinforcement to be #4 Rebar
 All Rebar to Have Min. of 1 1/2" Conc. Cover

HEADWALL FOR 36" RCP

GENERAL NOTES

- ALL PIPES SHALL BE FLUSH CUT PRIOR TO BEING CAST INTO CONCRETE HEADWALL
- CONCRETE USED IN HEADWALL CONSTRUCTION SHALL BE SAME AS PER CITY STANDARD PAVING MIX EXCEPT THAT IT SHALL HAVE A MINIMUM 28 DAY COMPRESSIVE STRENGTH OF 4000 PSI.
- ALL EXPOSED EDGES SHALL BE BEVELED 1/2"
- REINFORCING STEEL SHALL COMPLY TO A.S.T.M. DESIGNATION A615 GRADE 60. ALL DIMENSIONS RELATIVE TO REINFORCING STEEL ARE TO CENTERLINE OF BAR UNLESS OTHERWISE NOTED.
- THE "REIN. CONC. HEADWALL" SHALL BE PAID FOR AT THE UNIT PRICE BID PER EACH IN PLACE WHICH SHALL INCLUDE ALL LABOR MATERIALS EXCAVATION, CONCRETE, REINFORCING STEEL AND ALL OTHER INCIDENTAL ITEMS NECESSARY TO COMPLETE THE WORK. MATERIAL QUANTITIES SHOWN ARE FOR INFORMATION ONLY.

Baughman
 Baughman Company, P.A. 3155 Blue St. Wichita, KS 67211 P:316.262.2271 F:316.262.0099
 ENGINEERING | SURVEYING | PLANNING | LANDSCAPE ARCHITECTURE
 PROJECT NUMBER: 40844395
 REVISIONS:
 DESIGNER: JAK
 DATE: 09/07
 SCALE: Noted
 SHEET: 27 OF 51