

DATE DRAWN  
 REVISIONS  
 10-17-95  
 Rev. Curb Entry Elevations  
 Rev. Curbs & Storm Sewer Inls

PRINTS ISSUED

JEFFREHBIEL  
 ASSOCIATES  
 ARCHITECTURE  
 1500 E. LEWIS WICHITA, KS 67202  
 313-264-4821 FAX 313-264-4822

DATE

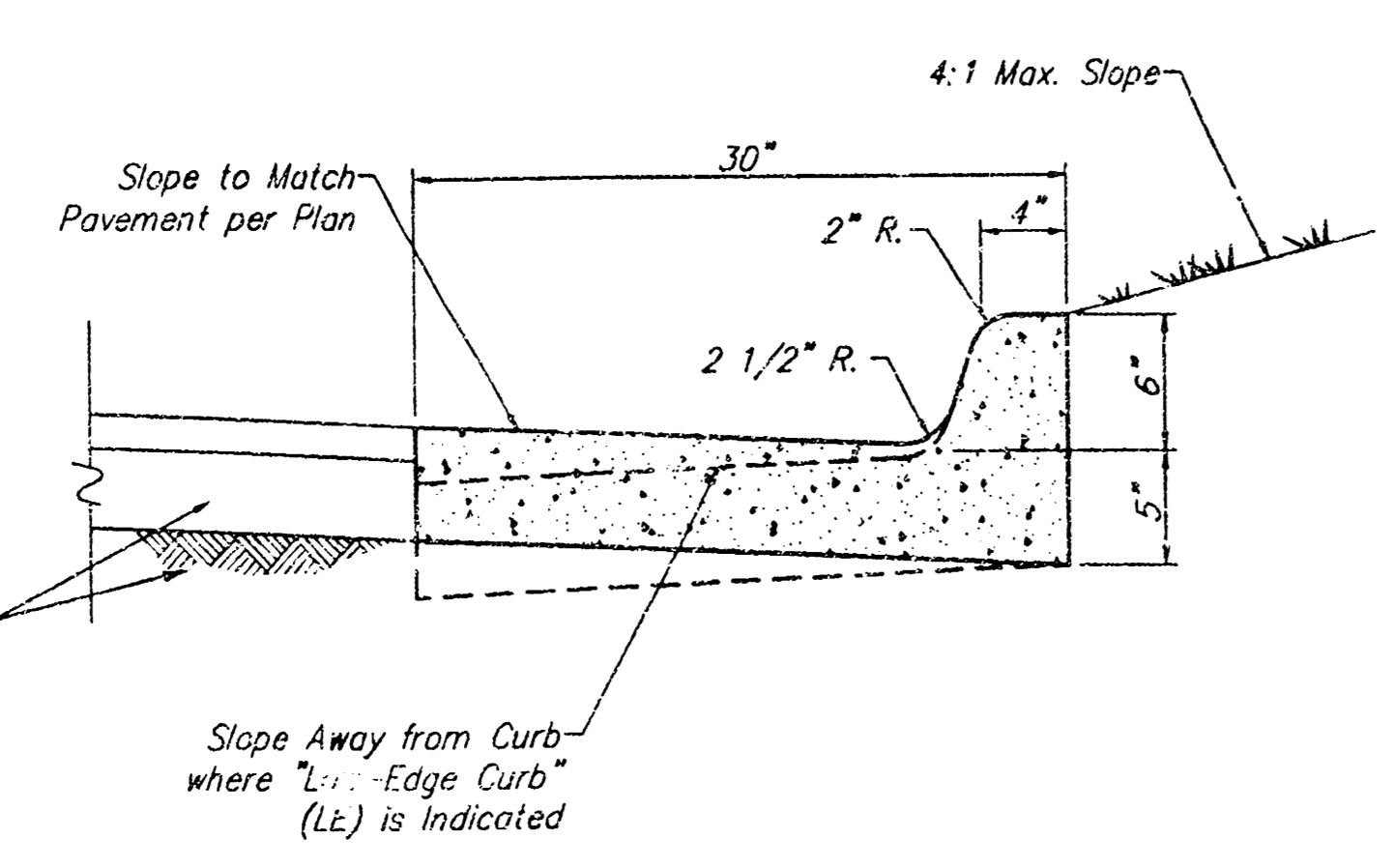
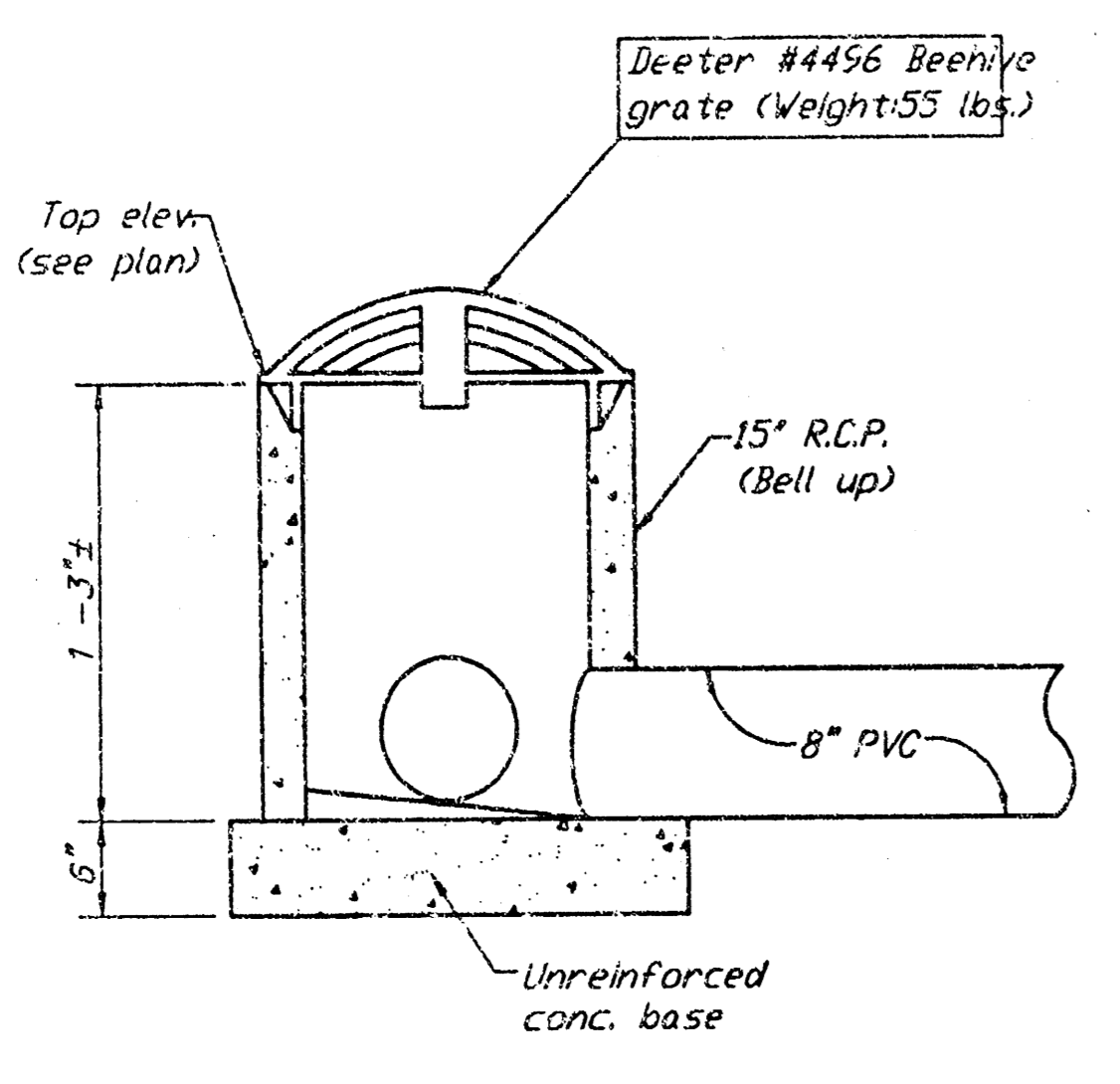
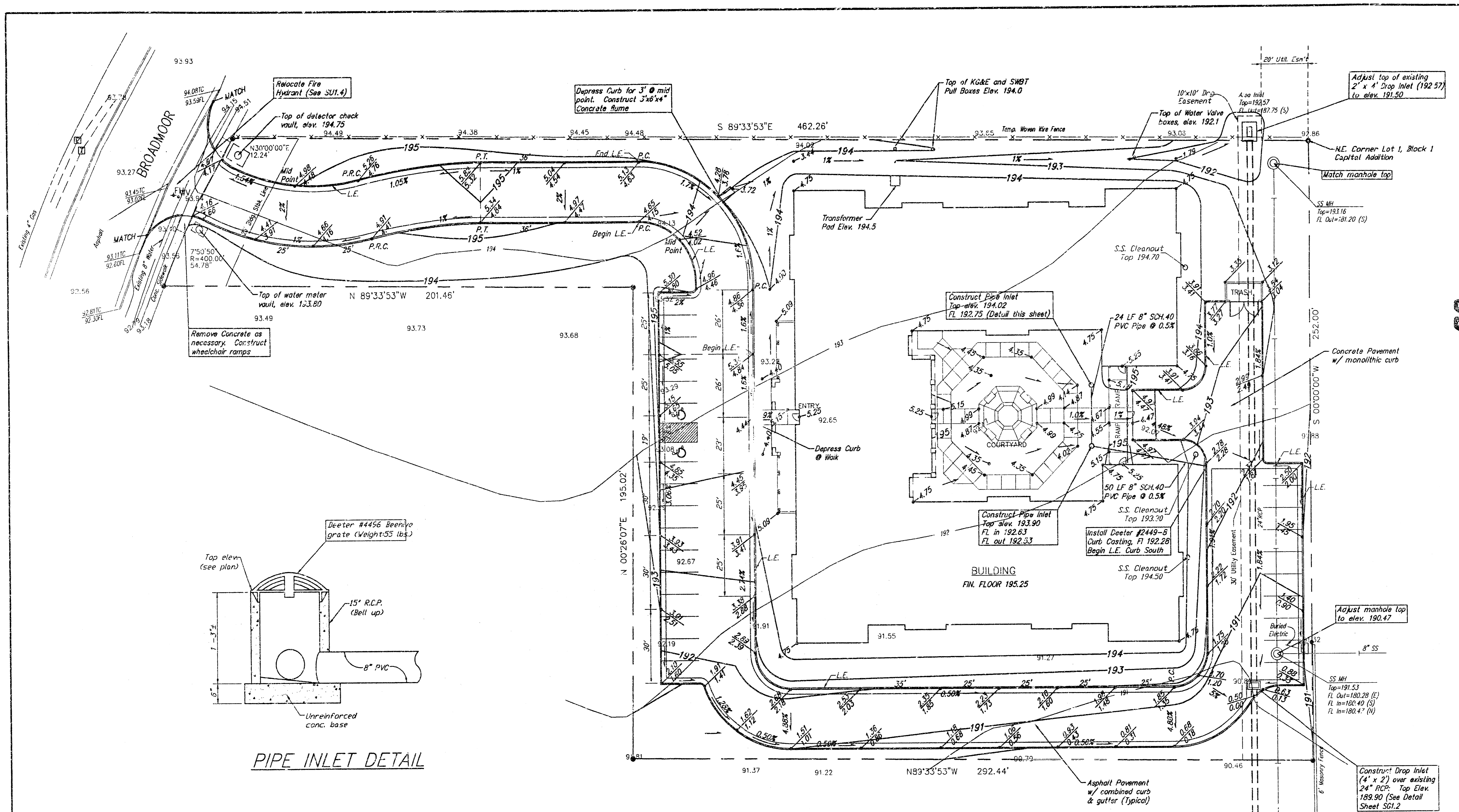
*The Homestead*  
 ASSISTED LIVING RESIDENCE  
 WICHITA, KANSAS

PROJECT NUMBER  
 92-49  
 SHEET TITLE  
 SITE GRADING PLAN

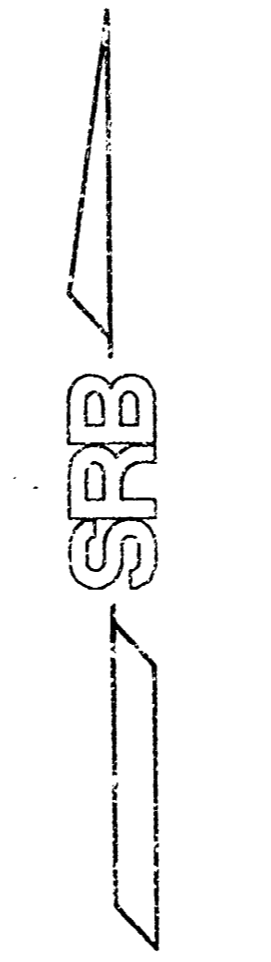
SHEET NUMBER

SG1.1

OF SHEETS



Existing Contours	---	191
Finished Contours	---	191
Existing Elevations	---	91.22
Finished Grade Elev.	---	1.36 / 0.86



**SITE GRADING PLAN**

**BENCH MARK:**  
 Chiselec "C" South end curb return West side of Rock Road at East 1/4 Corner Sec. 19, T27S, R2E Elev. 179.18 City Datum

**LEGAL DESCRIPTION:**  
 Part of Lots 1 and 2, Block 1, Capital Addition to Wichita, Sedgwick County, Kansas.

**NOTE:** All storm sewer construction on this project within public easement shall be constructed and inspected in conformance with "City of Wichita Procedure for Construction of Public Works Improvements by Private Contract."



**SRB** 924 NORTH MAIN 316-264-8008  
 WICHITA, KANSAS 67203 FAX 264-4821  
**SAVOY, RUGGLES & BOHM, P. A.**  
 ENGINEERING & SURVEYING

Project #593 PPS (607861)  
 APPROVED AS NOTED  
 BY CITY ENGINEER OF WICHITA

Sanitary Sewers \_\_\_\_\_  
 Storm Sewers VRH 10/18/95  
 Driveway Approaches \_\_\_\_\_  
 Water Mains \_\_\_\_\_  
 Parking \_\_\_\_\_

**NOTE TO CONTRACTORS**  
 Inspection and testing for this project are to be provided by a Licensed Consulting Engineering Firm under contract with the Owner/Developer. Said inspection to be in accordance with the City of Wichita standard construction engineering practices and certified by a Licensed Professional Engineer. No work shall be performed in dedicated easements or public right-of-way by the Contractor without such inspection, nor shall any work be commenced without written authorization by the City Engineer.

C:\PROJECTS\ACTIVE\312\RE\GRADING 1.dwg Oct 17 11:25:54 1995 TEB

