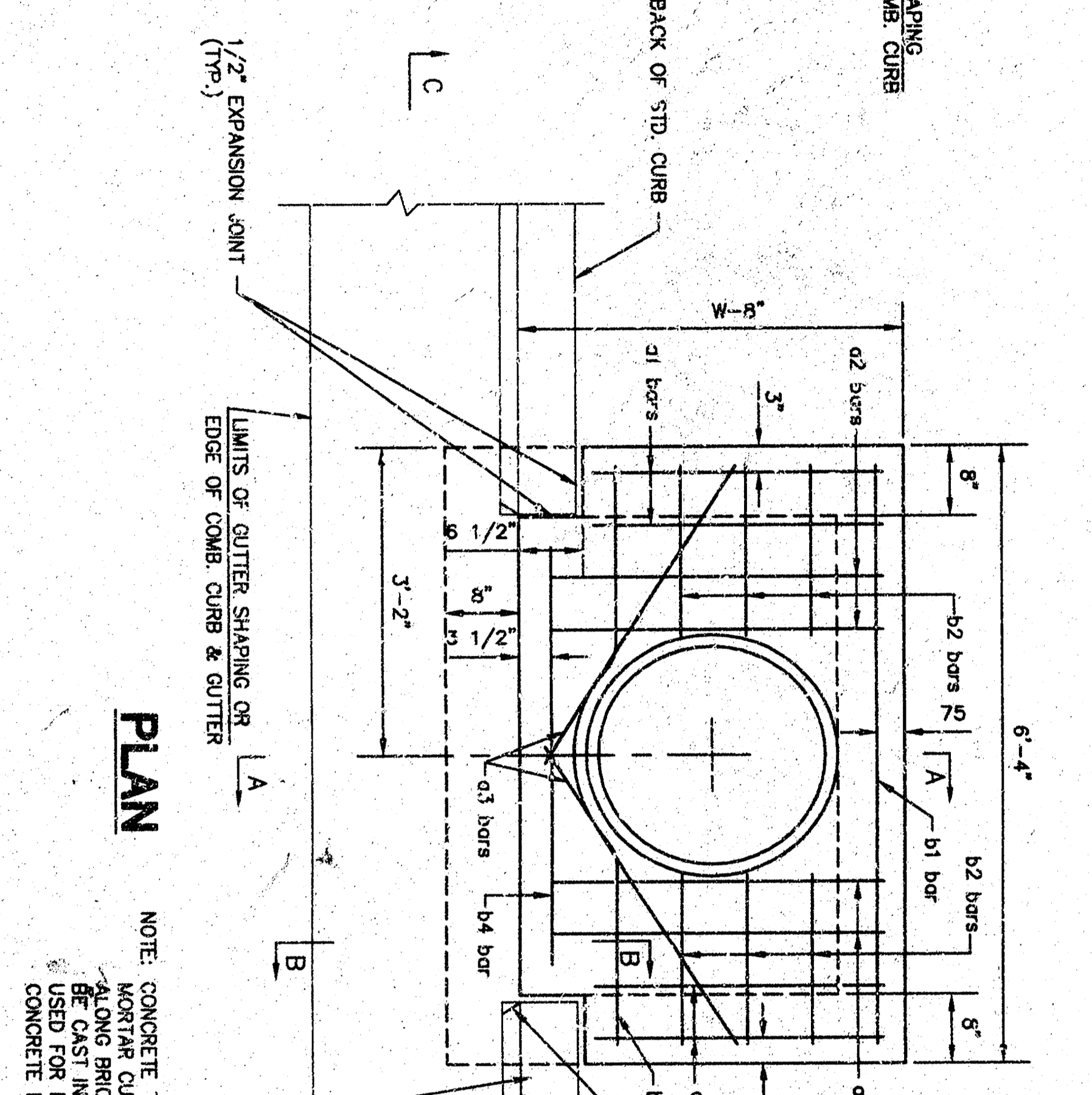
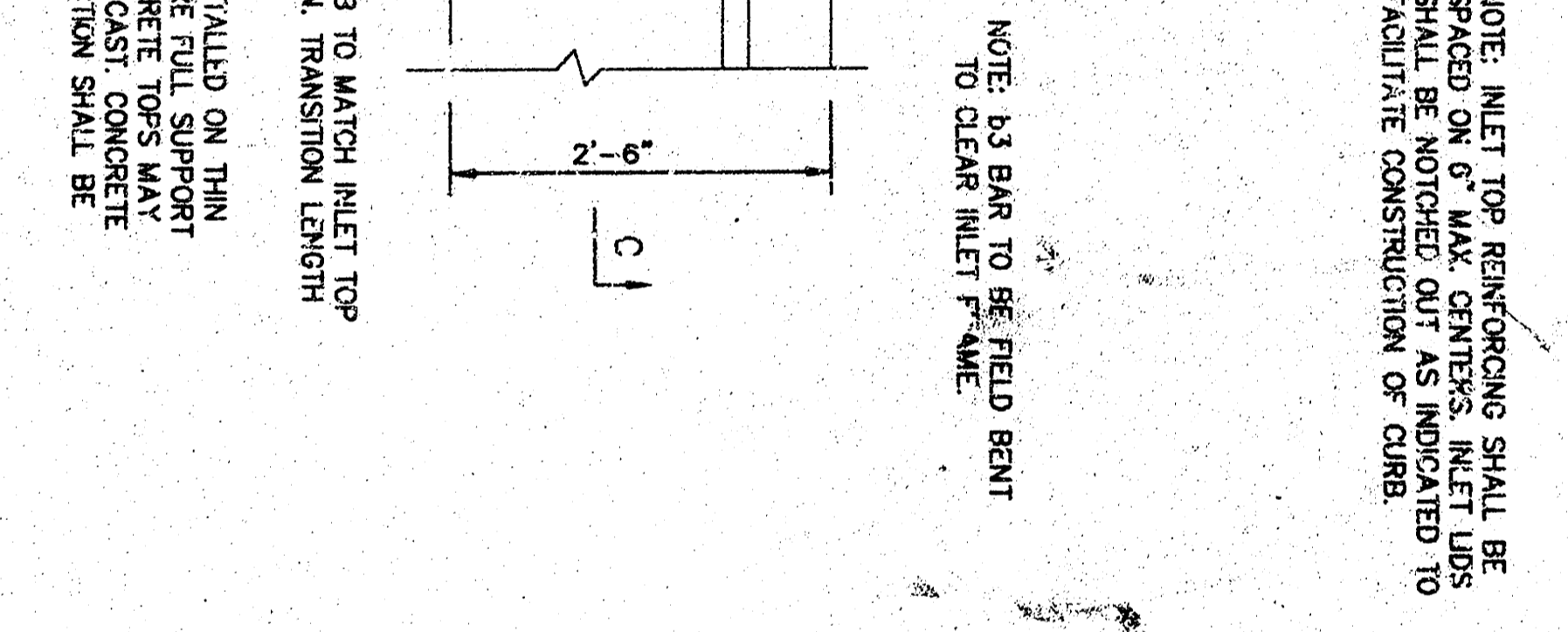


SECTION A-A
* SLOPE OF INLET TOP TO MATCH SIDEWALK (2% MAX.) ON PAVING SLOPE WITHIN THE LIMITS INDICATED



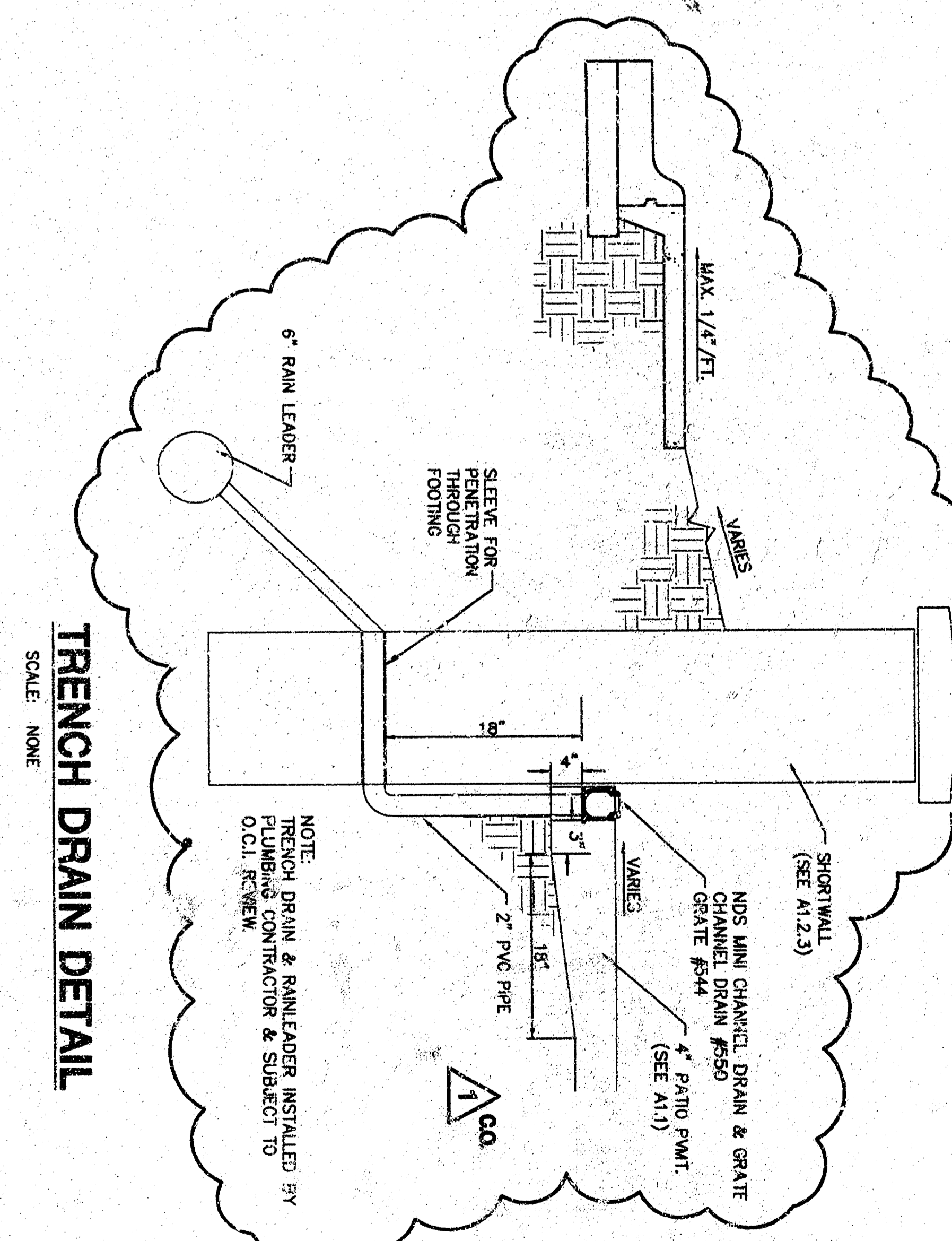
PLAN

NOTE: CONCRETE TOPS TO BE INSTALLED ON THIN MORTAR CUSHION TO INSURE FULL SUPPORT OF CURB AND GUTTER. PRECAST CONCRETE USED FOR INLET CONSTRUCTION SHALL BE CONCRETE PAVEMENT MIX.

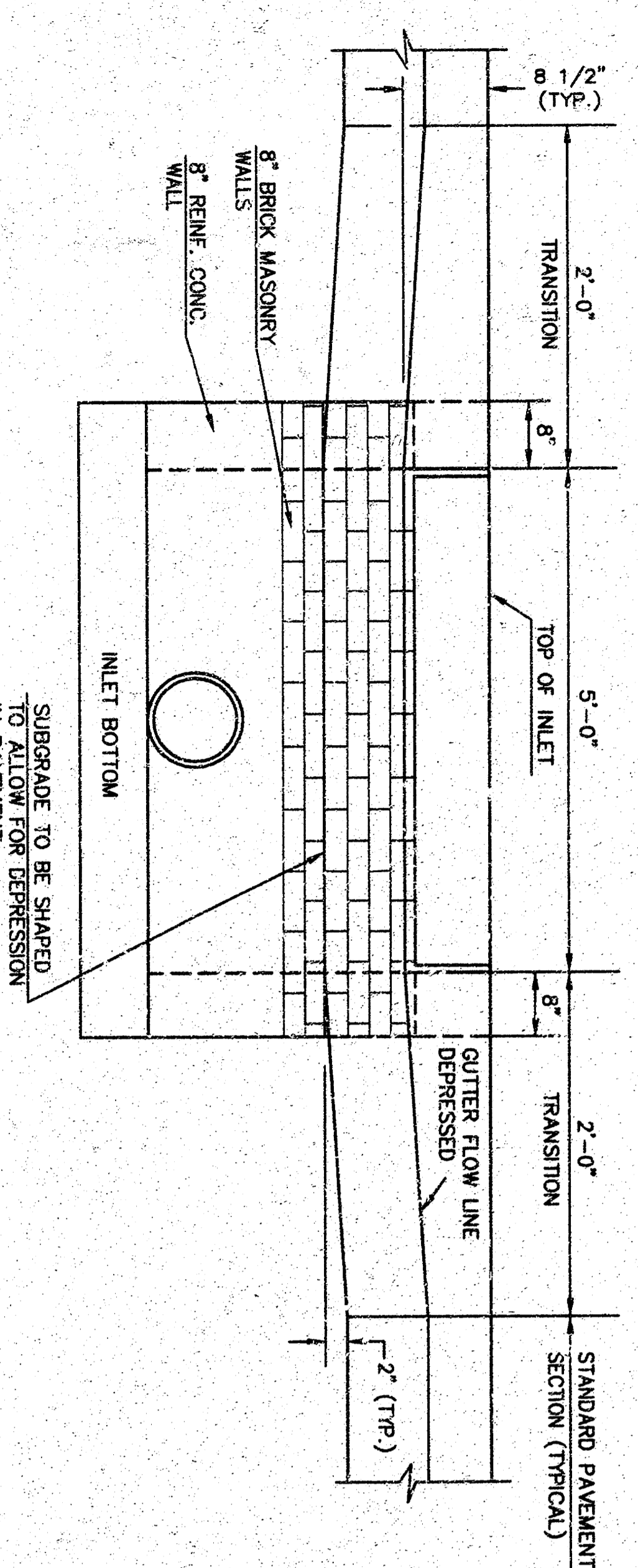


INLET FRAME

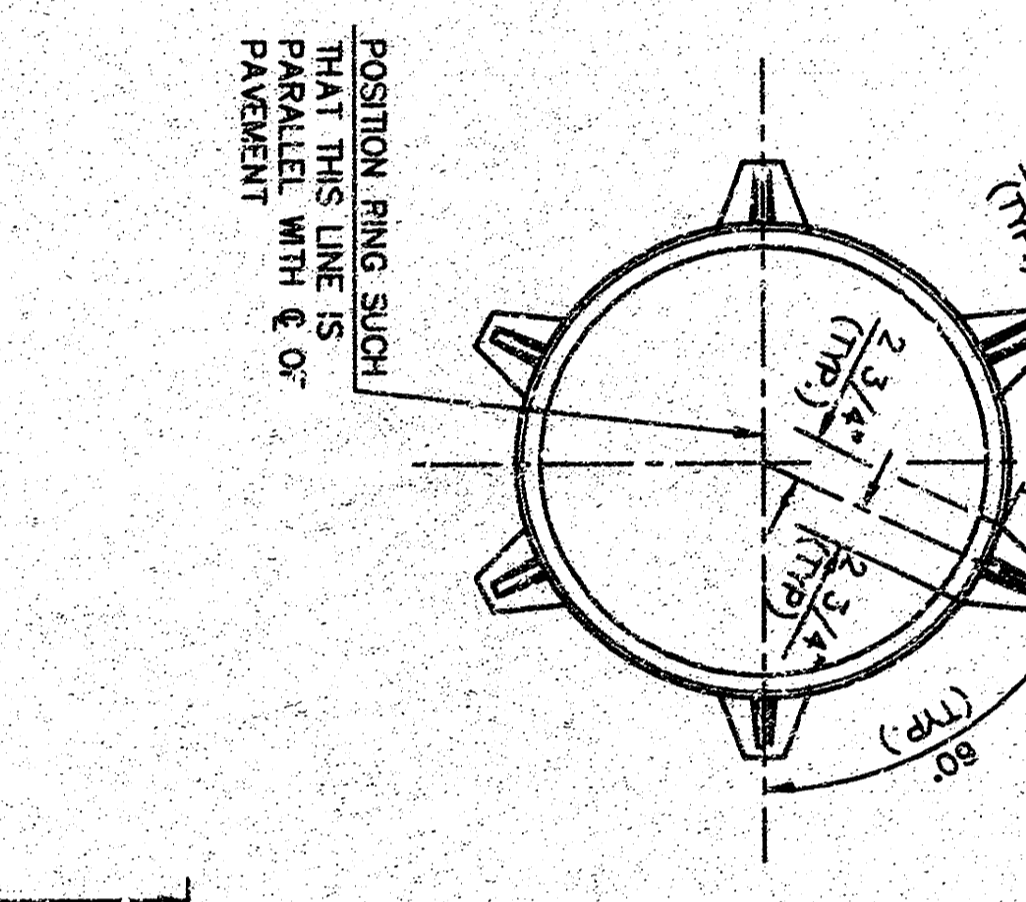
SEE CITY OR VENDOR STANDARD MANHOLE DETAILS TO BE USED WITH INLET FRAME.



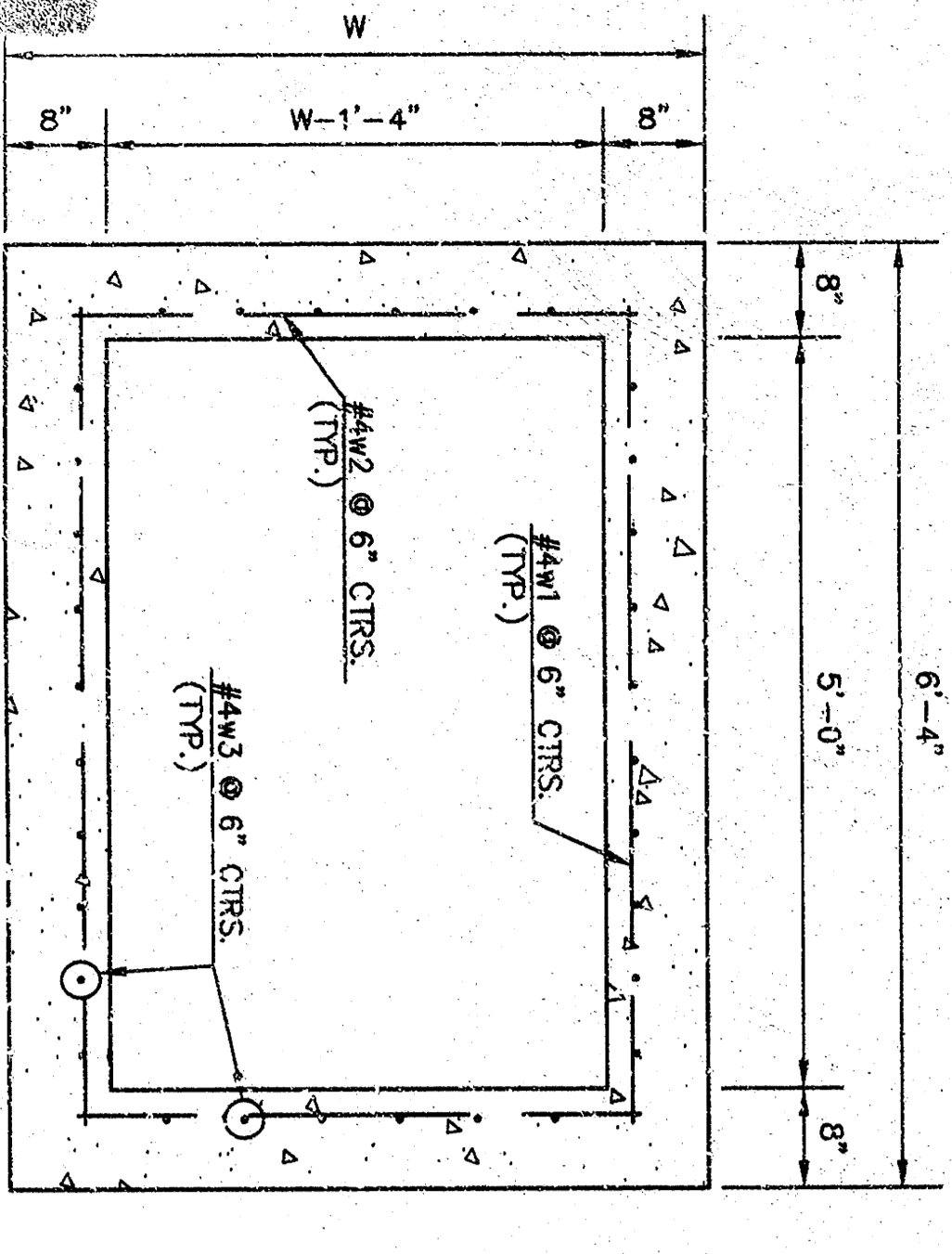
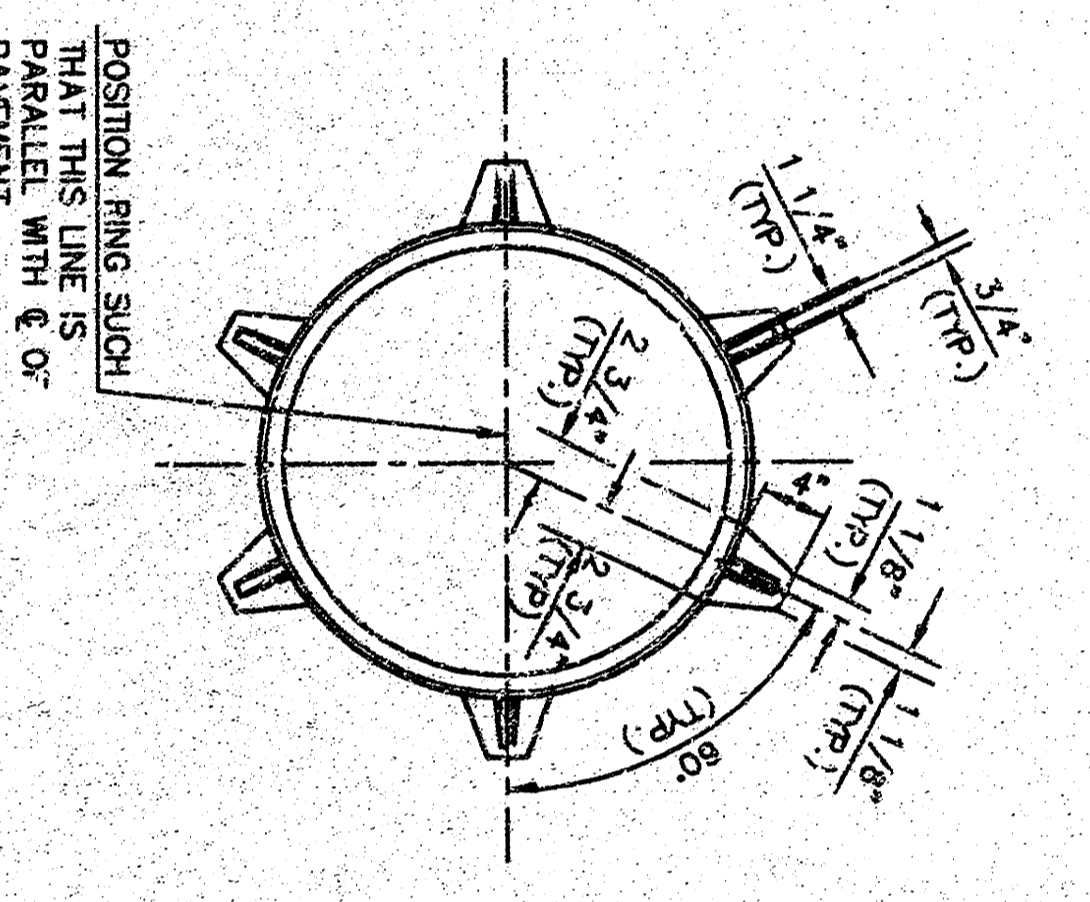
TRENCH DRAIN DETAIL
SCALE: NONE



SECTION C-C



BENDING DIAGRAM



SECTION D-D

STEEL SCHEDULE				STEEL SCHEDULE				STEEL SCHEDULE				STEEL SCHEDULE			
MARK	SIZE	NO.	LENGTH	MARK	SIZE	NO.	LENGTH	MARK	SIZE	NO.	LENGTH	MARK	SIZE	NO.	LENGTH
W-4	4	4	6'-7"	W-5	4	4	2 3/10	W-6	4	4	3 2/5	W-7	4	4	4 1/4
W-5	4	4	6'-7"	W-6	4	4	2 6/15	W-7	4	4	3 8/5	W-8	4	4	4 4/5
W-6	4	4	6'-7"	W-7	4	4	1 5/25	W-8	4	4	2 1/5	W-9	4	4	2 4/5
W-7	4	4	6'-7"	W-8	4	4	1 8/25	W-9	4	4	1 8/5	W-10	4	4	1 8/5
W-8	4	4	6'-7"	W-9	4	4	1 1/2	W-10	4	4	1 1/2	W-11	4	4	1 1/2
W-9	4	4	6'-7"	W-10	4	4	1 1/2	W-11	4	4	1 1/2	W-12	4	4	1 1/2
W-10	4	4	6'-7"	W-11	4	4	1 1/2	W-12	4	4	1 1/2	W-13	4	4	1 1/2
W-11	4	4	6'-7"	W-12	4	4	1 1/2	W-13	4	4	1 1/2	W-14	4	4	1 1/2
W-12	4	4	6'-7"	W-13	4	4	1 1/2	W-14	4	4	1 1/2	W-15	4	4	1 1/2
W-13	4	4	6'-7"	W-14	4	4	1 1/2	W-15	4	4	1 1/2	W-16	4	4	1 1/2
W-14	4	4	6'-7"	W-15	4	4	1 1/2	W-16	4	4	1 1/2	W-17	4	4	1 1/2
W-15	4	4	6'-7"	W-16	4	4	1 1/2	W-17	4	4	1 1/2	W-18	4	4	1 1/2
W-16	4	4	6'-7"	W-17	4	4	1 1/2	W-18	4	4	1 1/2	W-19	4	4	1 1/2
W-17	4	4	6'-7"	W-18	4	4	1 1/2	W-19	4	4	1 1/2	W-20	4	4	1 1/2
W-18	4	4	6'-7"	W-19	4	4	1 1/2	W-20	4	4	1 1/2	W-21	4	4	1 1/2
W-19	4	4	6'-7"	W-20	4	4	1 1/2	W-21	4	4	1 1/2	W-22	4	4	1 1/2
W-20	4	4	6'-7"	W-21	4	4	1 1/2	W-22	4	4	1 1/2	W-23	4	4	1 1/2
W-21	4	4	6'-7"	W-22	4	4	1 1/2	W-23	4	4	1 1/2	W-24	4	4	1 1/2
W-22	4	4	6'-7"	W-23	4	4	1 1/2	W-24	4	4	1 1/2	W-25	4	4	1 1/2
W-23	4	4	6'-7"	W-24	4	4	1 1/2	W-25	4	4	1 1/2	W-26	4	4	1 1/2
W-24	4	4	6'-7"	W-25	4	4	1 1/2	W-26	4	4	1 1/2	W-27	4	4	1 1/2
W-25	4	4	6'-7"	W-26	4	4	1 1/2	W-27	4	4	1 1/2	W-28	4	4	1 1/2
W-26	4	4	6'-7"	W-27	4	4	1 1/2	W-28	4	4	1 1/2	W-29	4	4	1 1/2
W-27	4	4	6'-7"	W-28	4	4	1 1/2	W-29	4	4	1 1/2	W-30	4	4	1 1/2
W-28	4	4	6'-7"	W-29	4	4	1 1/2	W-30	4	4	1 1/2	W-31	4	4	1 1/2
W-29	4	4	6'-7"	W-30	4	4	1 1/2	W-31	4	4	1 1/2	W-32	4	4	1 1/2
W-30	4	4	6'-7"	W-31	4	4	1 1/2	W-32	4	4	1 1/2	W-33	4	4	1 1/2
W-31	4	4	6'-7"	W-32	4	4	1 1/2	W-33	4	4	1 1/2	W-34	4	4	1 1/2
W-32	4	4	6'-7"	W-33	4	4	1 1/2	W-34	4	4	1 1/2	W-35	4	4	1 1/2
W-33	4	4	6'-7"	W-34	4	4	1 1/2	W-35	4	4	1 1/2	W-36	4	4	1 1/2
W-34	4	4	6'-7"	W-35	4	4	1 1/2	W-36	4	4	1 1/2	W-37	4	4	1 1/2
W-35	4	4	6'-7"	W-36	4	4	1 1/2	W-37	4	4	1 1/2	W-38	4	4	1 1/2
W-36	4	4	6'-7"	W-37	4	4	1 1/2	W-38	4	4	1 1/2	W-39	4	4	1 1/2
W-37	4	4	6'-7"	W-38	4	4	1 1/2	W-39	4	4	1 1/2	W-40	4	4	1 1/2
W-38	4	4	6'-7"	W-39	4	4	1 1/2	W-40	4	4	1 1/2	W-41	4	4	1 1/2
W-39	4	4	6'-7"	W-40	4	4	1 1/2	W-41	4	4	1 1/2	W-42	4	4	1 1/2
W-40	4	4	6'-7"	W-41	4	4	1 1/2	W-42	4	4	1 1/2	W-43	4	4	1 1/2
W-41	4	4	6'-7"	W-42	4	4	1 1/2	W-43	4	4	1 1/2	W-44	4	4	1 1/2
W-42	4	4	6'-7"	W-43	4	4	1 1/2	W-44	4	4	1 1/2	W-45	4	4	1 1/2
W-43	4	4	6'-7"	W-44	4	4	1 1/2	W-45	4	4	1 1/2	W-46	4	4	1 1/2
W-44	4	4	6'-7"	W-45	4	4	1 1/2	W-46	4	4	1 1/2	W-47	4	4	1 1/2
W-45	4	4	6'-7"	W-46	4	4	1 1/2	W-47	4	4	1 1/2	W-48	4	4	1 1/2
W-46	4	4	6'-7"	W-47	4	4	1 1/2	W-48	4	4	1 1/2	W-49	4	4	1 1/2
W-47	4	4	6'-7"	W-48	4	4	1 1/2	W-49	4	4	1 1/2	W-50	4	4	1 1/2
W-48	4	4	6'-7"	W-49	4	4	1 1/2	W-50	4	4	1 1/2	W-51	4	4	1 1/2
W-49	4	4	6'-7"	W-50	4	4	1 1/2	W-51	4	4	1 1/2	W-52	4	4	1 1/2
W-50	4	4	6'-7"	W-51	4	4	1 1/2	W-52	4	4	1 1/2	W-53	4	4	1 1/2
W-51	4	4	6'-7"	W-52	4	4	1 1/2	W-53	4	4	1 1/2	W-54	4	4	1 1/2
W-52	4	4	6'-7"	W-53	4	4	1 1/2	W-54	4	4	1 1/2	W-55	4	4	1 1/2
W-53	4	4	6'-7"	W-54	4	4	1 1/2	W-55	4	4	1 1/2	W-56	4	4	1 1/2
W-54	4	4	6'-7"	W-55	4	4	1 1/2	W-56	4	4	1 1/2	W-57	4	4	1 1/2
W-55	4	4	6'-7"	W-56	4	4	1 1/2	W-57	4	4	1 1/2	W-58	4	4	1 1/2
W-56	4	4	6'-7"	W-57	4	4	1 1/2	W-58	4	4	1 1/2	W-59	4	4	1 1/2
W-57	4	4	6'-7"	W-58	4	4	1 1/2	W-59	4	4	1 1/2	W-60	4	4	1 1/2
W-58	4	4	6'-7"	W-59	4	4	1 1/2	W-60	4	4	1 1/2	W-61	4	4	1 1/2
W-59	4	4	6'-7"	W-60	4	4	1 1/2	W-61	4	4	1 1/2	W-62	4	4	1 1/2
W-60	4	4	6'-7"	W-61	4	4	1 1/2	W-62	4	4	1 1/2	W-63	4	4	1 1/2
W-61	4	4	6'-7"	W-62	4	4	1 1/2	W-63	4	4	1 1/2	W-64	4	4	1 1/2
W-62	4	4	6'-7"	W-63	4	4	1 1/2	W-64	4	4	1 1/2	W-65	4	4	1 1/2
W-63	4	4	6'-7"	W-64	4	4	1 1/2	W-65	4	4	1 1/2	W-66	4	4	1 1/2
W-64	4	4	6'-7"	W-65	4	4	1 1/2	W-66	4	4	1 1/2	W-67	4	4	1 1/2
W-65	4	4	6'-7"	W-66	4	4	1 1/2	W-67	4	4	1 1/2	W-68	4	4	1 1/2
W-66	4	4	6'-7"	W-67	4	4	1 1/2	W-68	4	4	1 1/2	W-69	4	4	1 1/2
W-67	4	4	6'-7"	W-68	4	4	1 1/2	W-69	4	4	1 1/2	W-70	4	4	1 1/2
W-68	4	4	6'-7"	W-69	4	4	1 1/2	W-70	4	4	1 1/2	W-71	4	4	1 1/2
W-69	4	4	6'-7"	W-70	4	4	1 1/2	W-71	4	4	1 1/2	W-72	4	4	1 1/2
W-70	4	4	6'-7"	W-71	4	4	1 1/2	W-72	4	4	1 1/2	W-73	4	4	1 1/2
W-71	4	4	6'-7"	W-72	4	4	1 1/2	W-73	4	4	1 1/2	W-74	4	4	1 1/2
W-72	4	4	6'-7"	W-73	4	4	1 1/2	W-74	4	4	1 1/2	W-75	4	4	1 1/2
W-73	4	4	6'-7"	W-74	4	4	1 1/2	W-75	4	4	1 1/2	W-76	4	4	1 1/2
W-74	4	4	6'-7"	W-75	4	4	1 1/2	W-76	4	4	1 1/2	W-77	4	4	1 1/2
W-75	4	4	6'-7"	W-76	4	4	1 1/2	W-77	4	4	1 1/2	W-78	4	4	1 1/2
W-76	4	4	6'-7"	W-77	4	4	1 1/2	W-78	4	4	1 1/2	W-79	4	4	1 1/2
W-77	4	4	6'-7"	W-78	4	4	1 1/2	W-79	4	4	1 1/2	W-80	4	4	1 1/2
W-78	4	4	6'-7"												