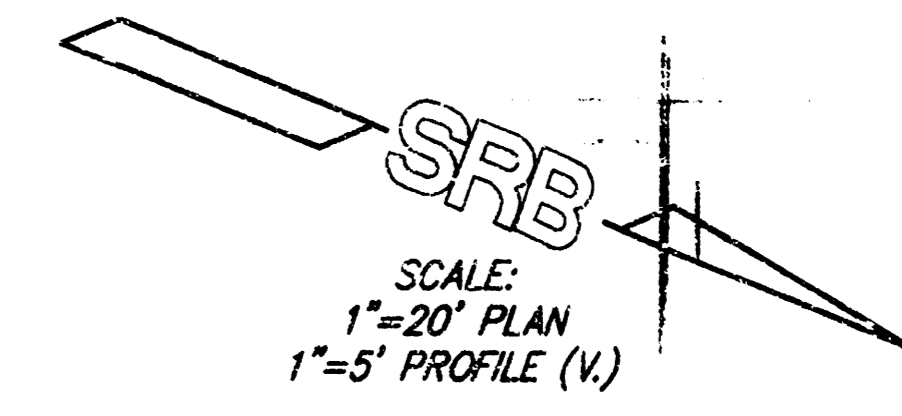
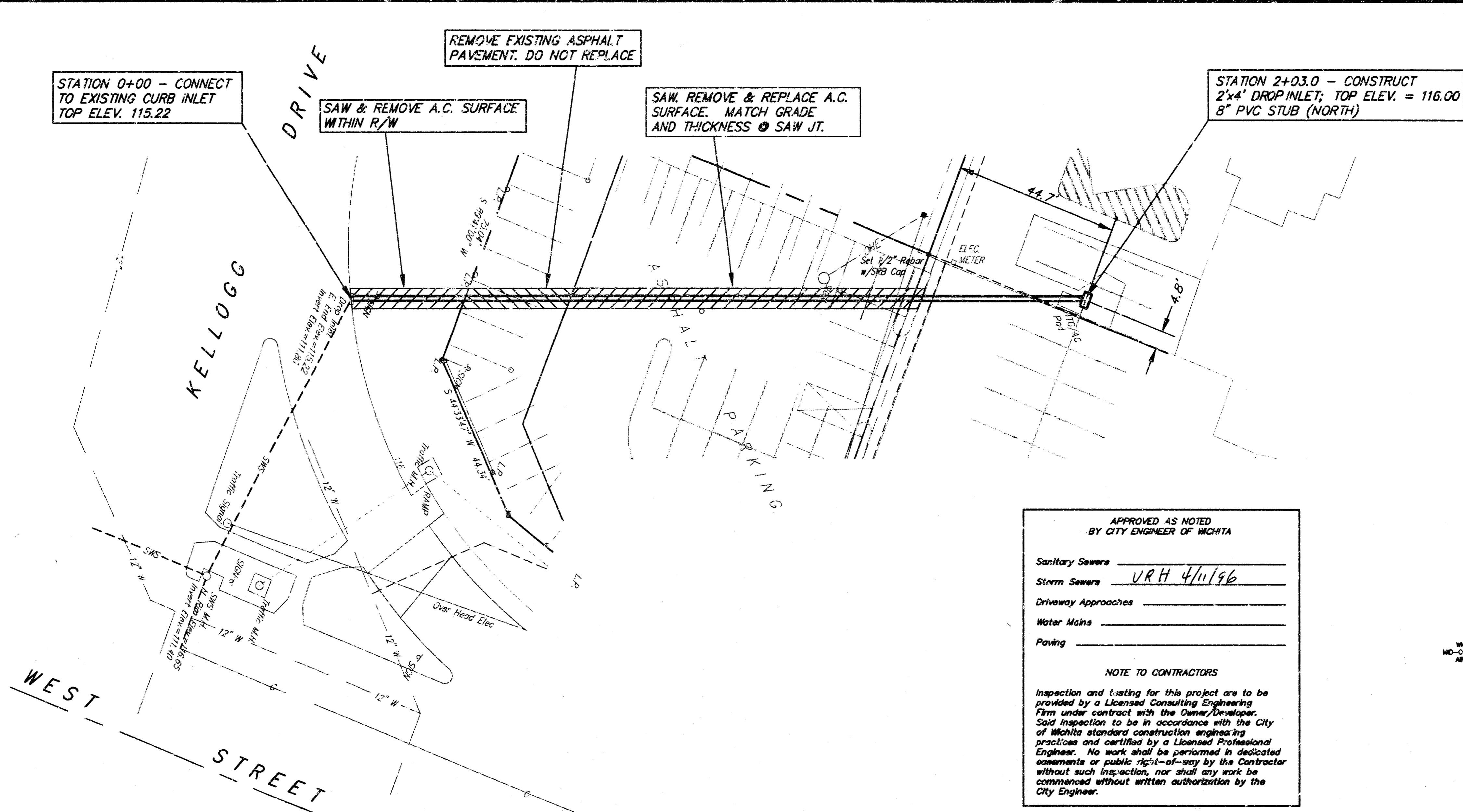


**GENERAL NOTES**

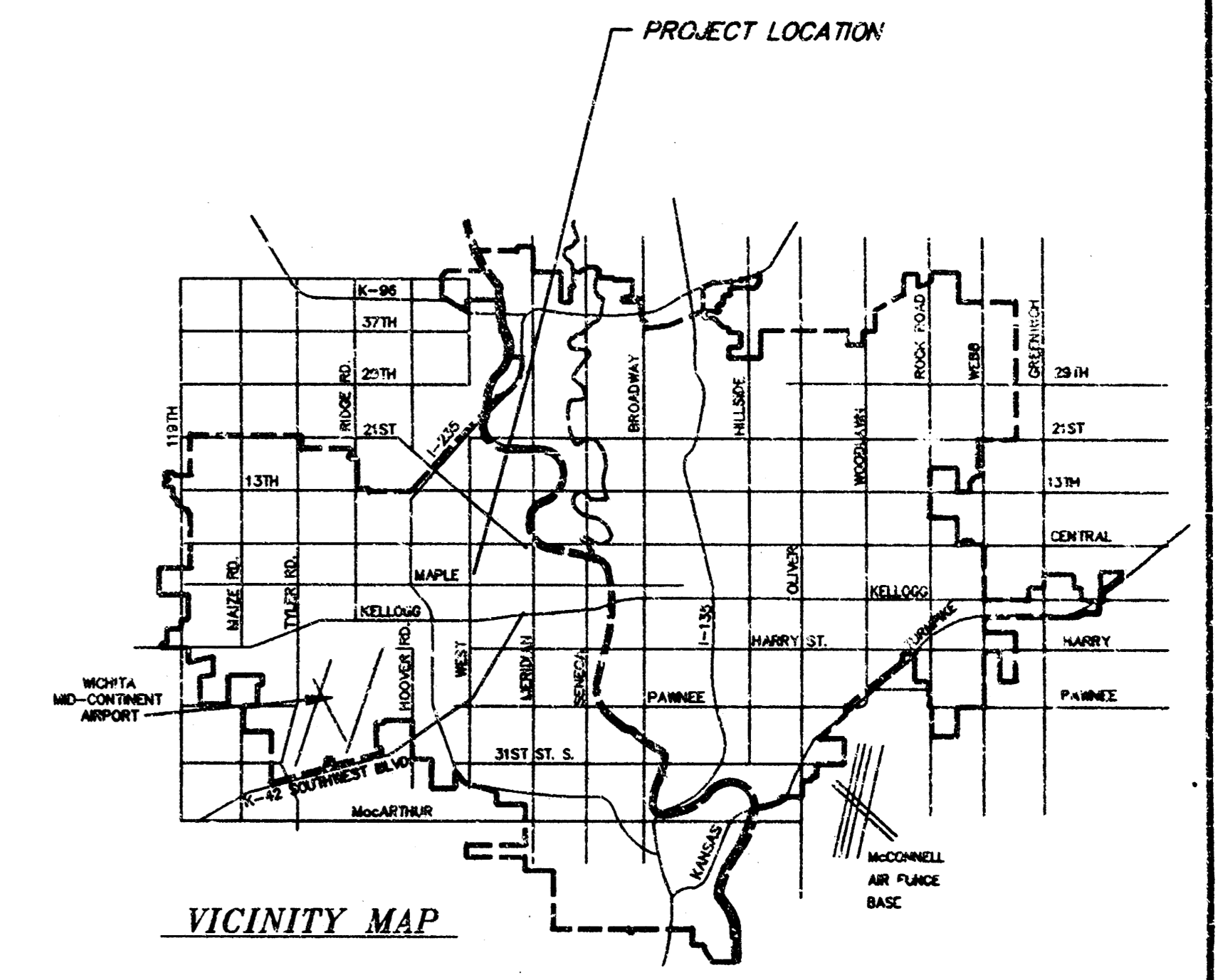
1. All work of this project shall conform to the Standard Specifications for Storm Sewer Construction of the City of Wichita.
2. Locating dimensions are to center of in new inlet.
3. All areas within public right-of-way which may be disturbed by Contractor's operations shall be restored in accordance with City of Wichita Administrative Regulation AR-78.
4. The Contractor shall notify Kansas One-Call (687-2470) a minimum of 24 hours prior to any excavation.
5. Traffic on right-turn lane from West St. to Kellogg to be maintained at all times.

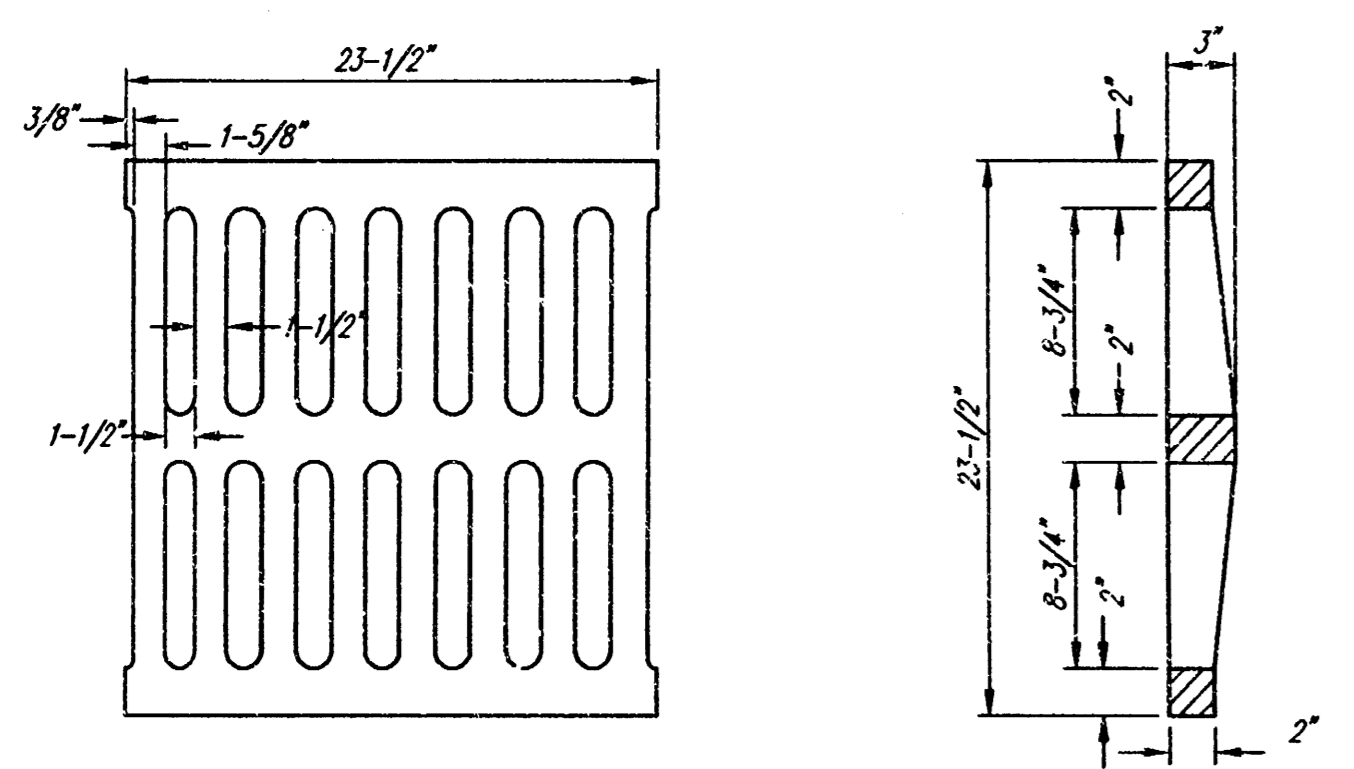
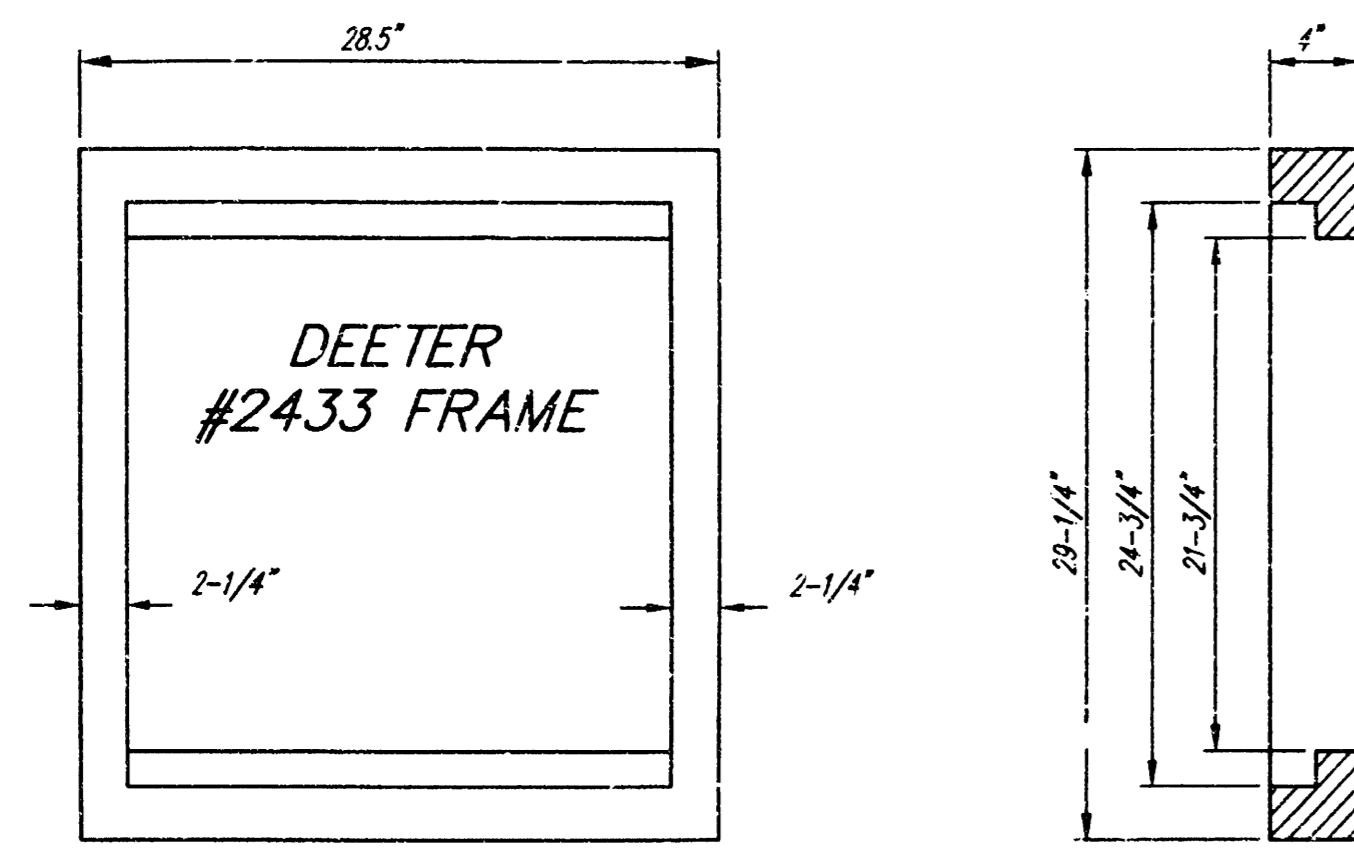
**RUNOFF CALCULATIONS**

By Rational Formula:  $Q=CIA$   
 Impervious Area = 44551 S.F.  
 Permeous Area = 4663 S.F.  
 D.A. (to Storm Sewer) = 1.07 ac.  
 $C_{impervious} = 0.95$   
 $C_{permeous} = 0.65$   
 $C_{weighted} = 0.92$   
 Assume time of concentration = 10 min.  
 $I_2 = 5.34 \text{ in./hr.}$      $I_{100} = 8.54 \text{ in./hr.}$   
 $Q_2 = 5.3 \text{ cfs}$          $Q_{100} = 8.4 \text{ cfs}$



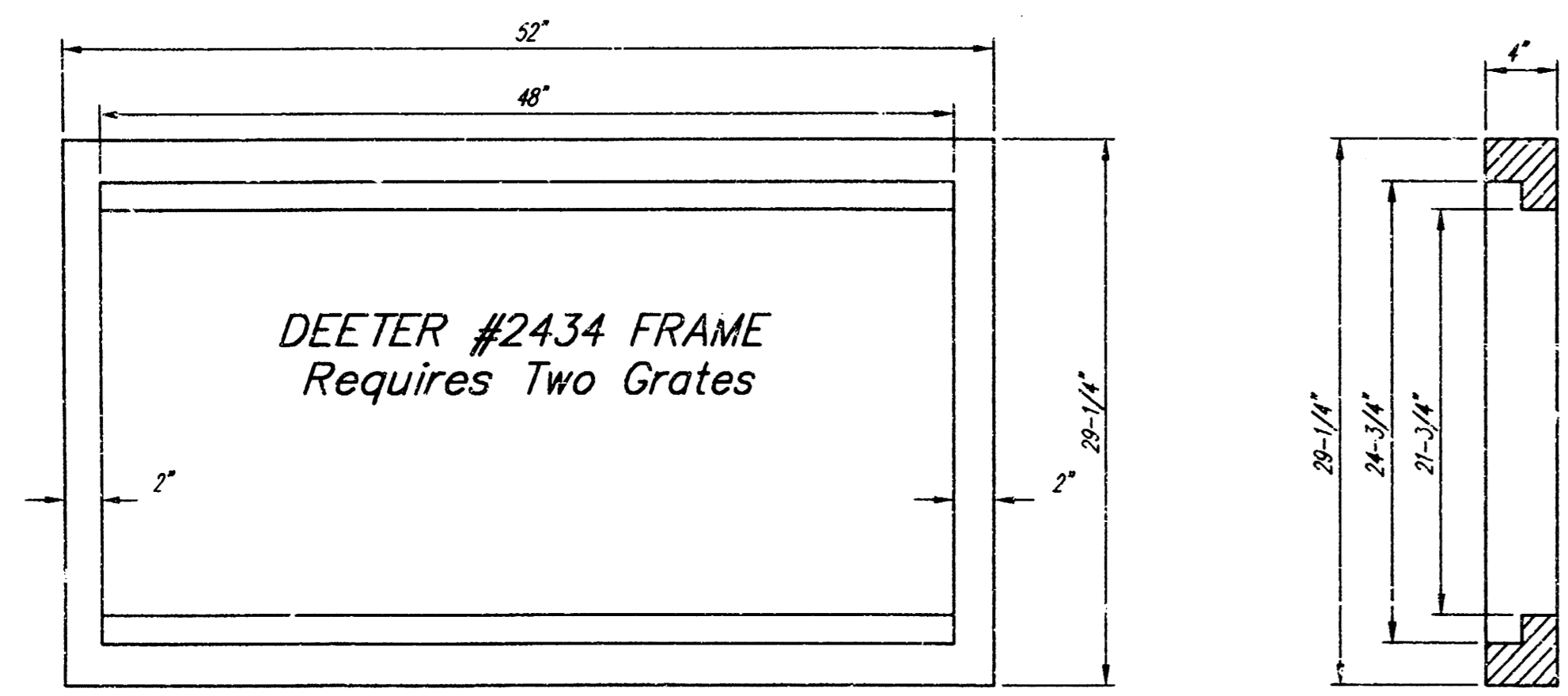
BENCH MARK  
 CITY OF WICHITA B.M.  
 E. SIDE OF R.R. CROSSING SIGNAL BASE  
 46.8' W. & 111.9' S. OF INTERSECTION  
 OF CENTERLINES OF WEST STREET & KELLOGG  
 ELEV. = 119.12 (CITY OF WICHITA, DATUM)  
 ELEV. = 1306.52 (N.G.V.D.)





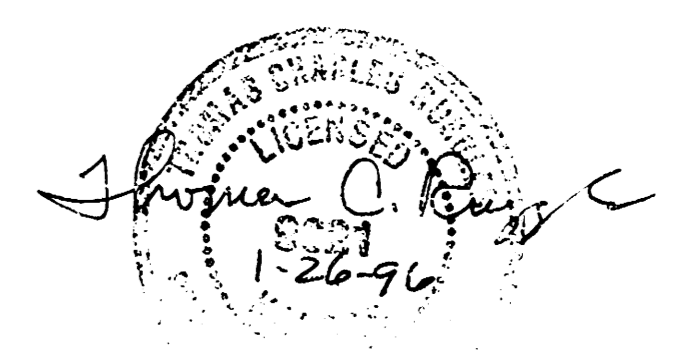
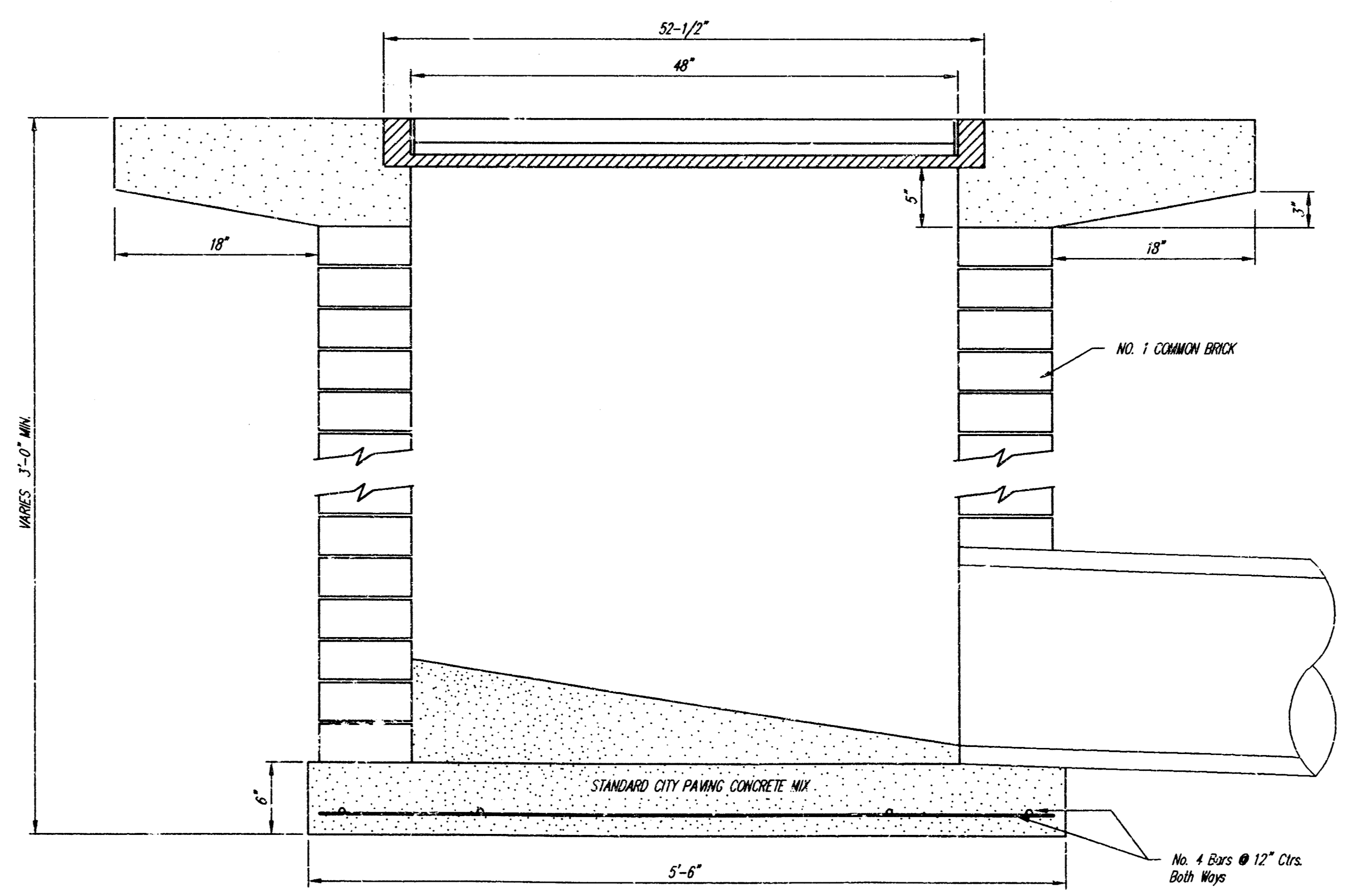
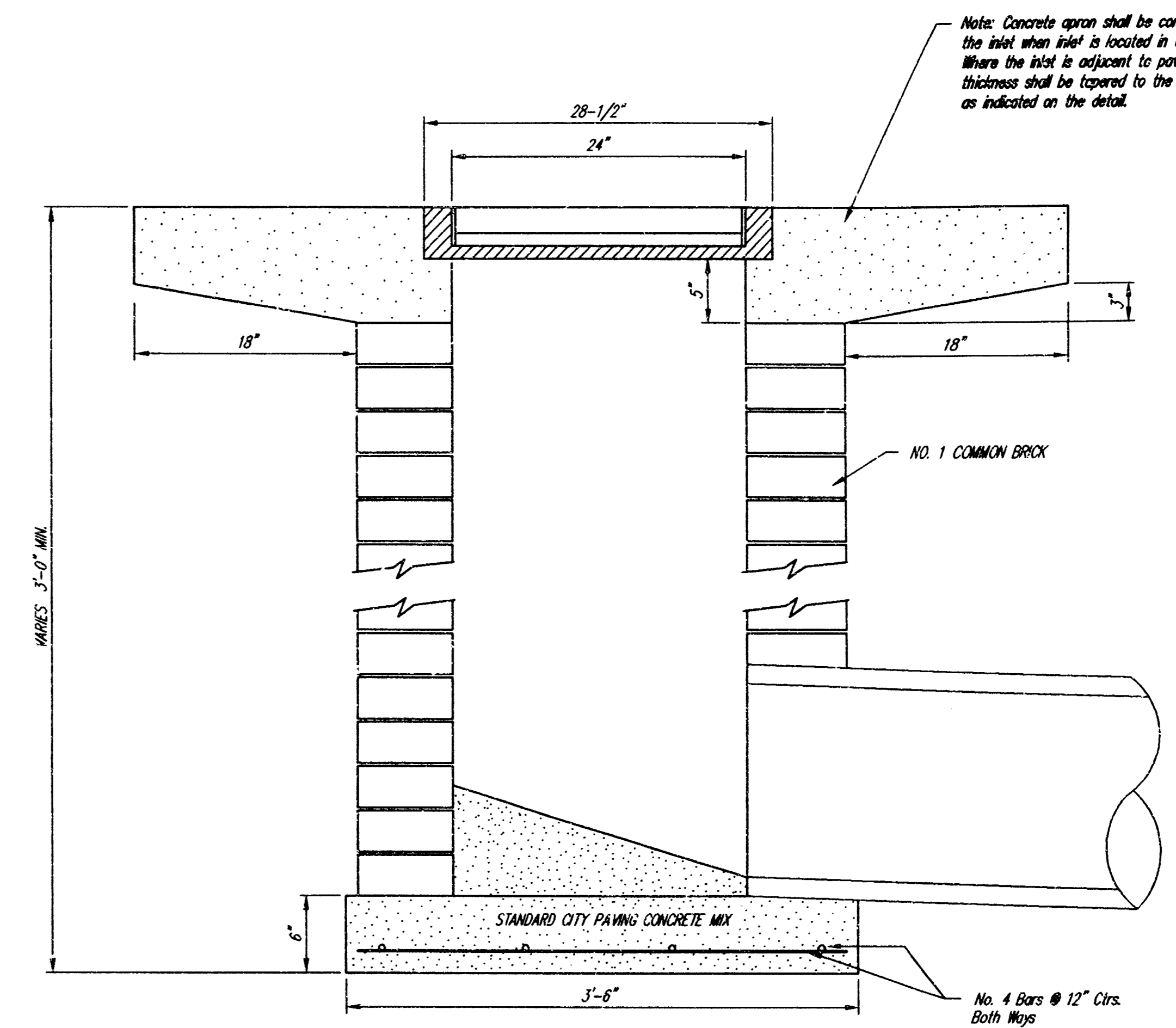
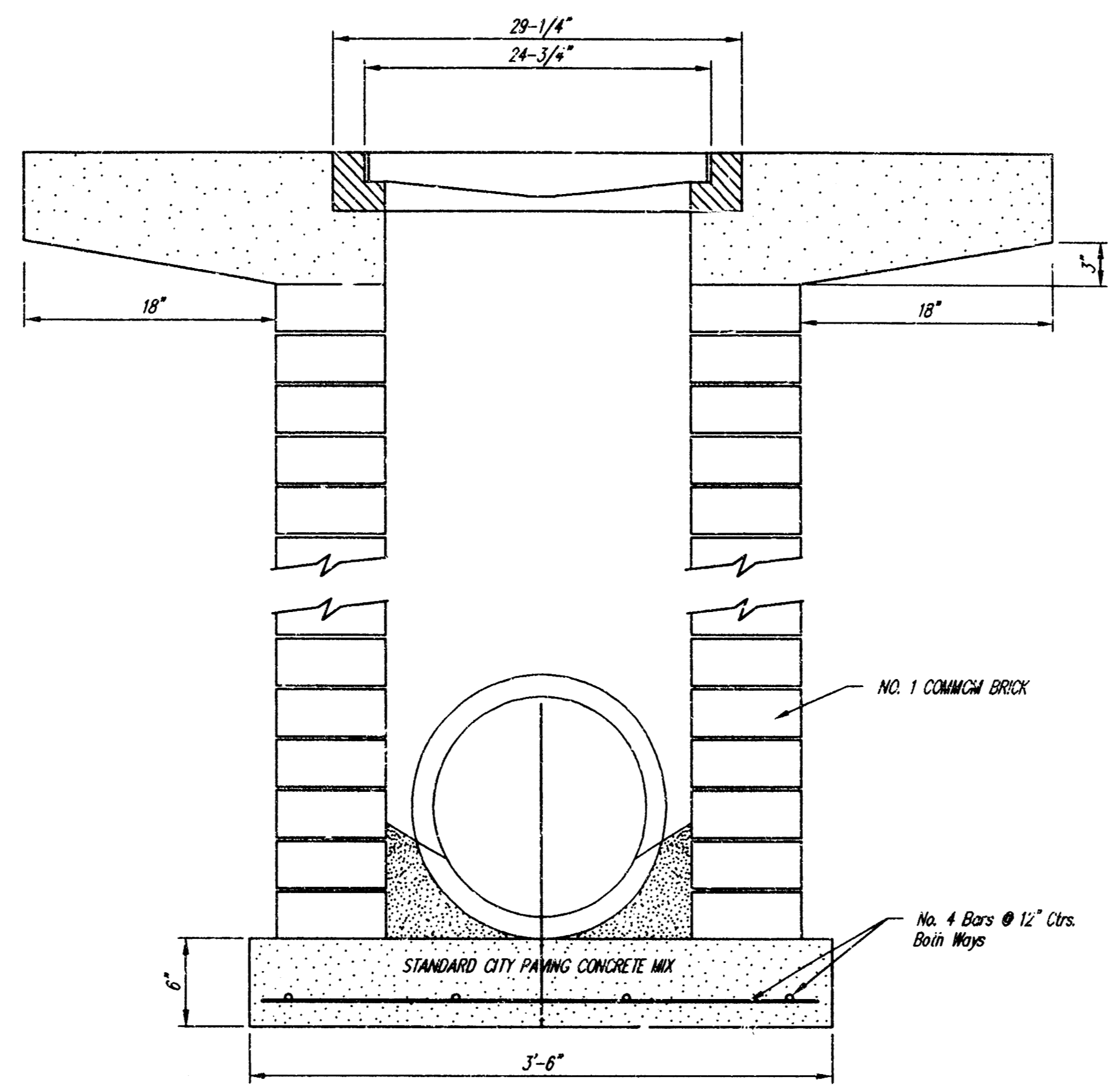
DEETER #2433 GRATE

24" x 24" Frame and Grate Detail



DEETER #2434 FRAME  
Requires Two Grates

Double 24" x 24" Frame Detail



DROP INLET DETAILS	2
Project no. 611 PPS (607861)	2