

SANITARY & STORMWATER SEWER IMPROVEMENTS

TO SERVE

Circuit City Addition

Private Project No. 619 PPS (607861)

Michael E. Lindeback, P.E. City Engineer

Benchmark:

1" Cut in Top of Curb at Southeast Corner of Orme and Eastern.
Elevation = 143.21 City Datum

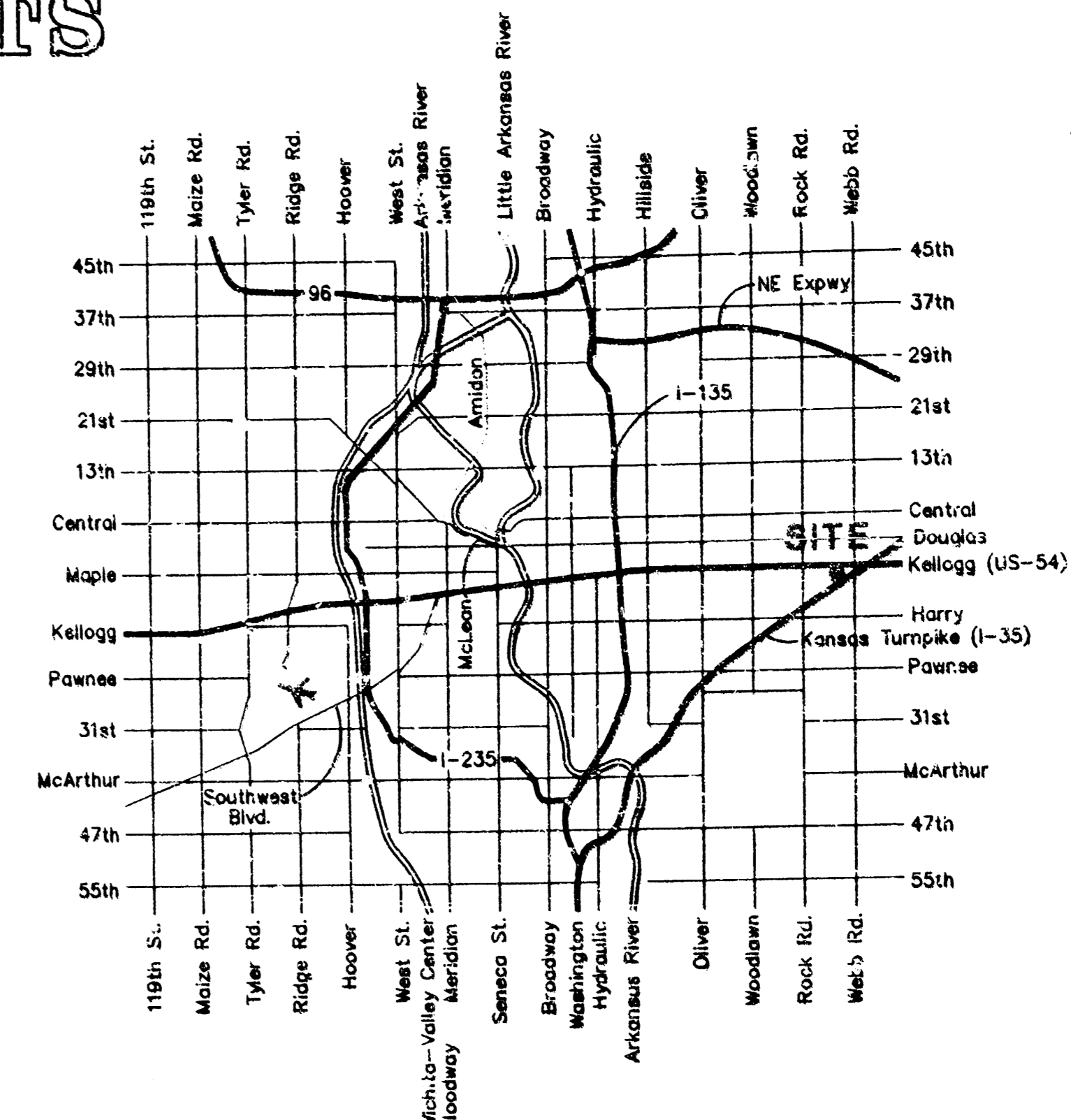
General Notes

1. Underground utility service lines and overhead utility pole lines are to be adjusted as necessary by others prior to construction unless the plans specifically call for their adjustment by the Contractor or unless the plans specifically identify a utility to be adjusted by its owner during construction. Existing utilities and their location, as shown on the plans, represent the best information obtainable for design. The Contractor will be required to work around existing utilities within the right-of-way which do not conflict with proposed construction.
2. The Contractor shall give all property owners and/or tenants of developed property abutting the construction of this project a minimum of five (5) days advance notice prior to start of construction.
3. The Contractor shall be responsible for preserving property irons. The Contractor will be required to re-establish any property irons which are damaged or destroyed by his construction operations. Such irons shall be re-established by a licensed land surveyor in accordance with state laws.
4. Contractor will be required to provide notice to utility companies a minimum of twenty-four (24) hours prior to any excavation, as follows:

Kansas One-Call	687-2470
-----------------	----------

The Contractor must notify the following in case of an emergency:

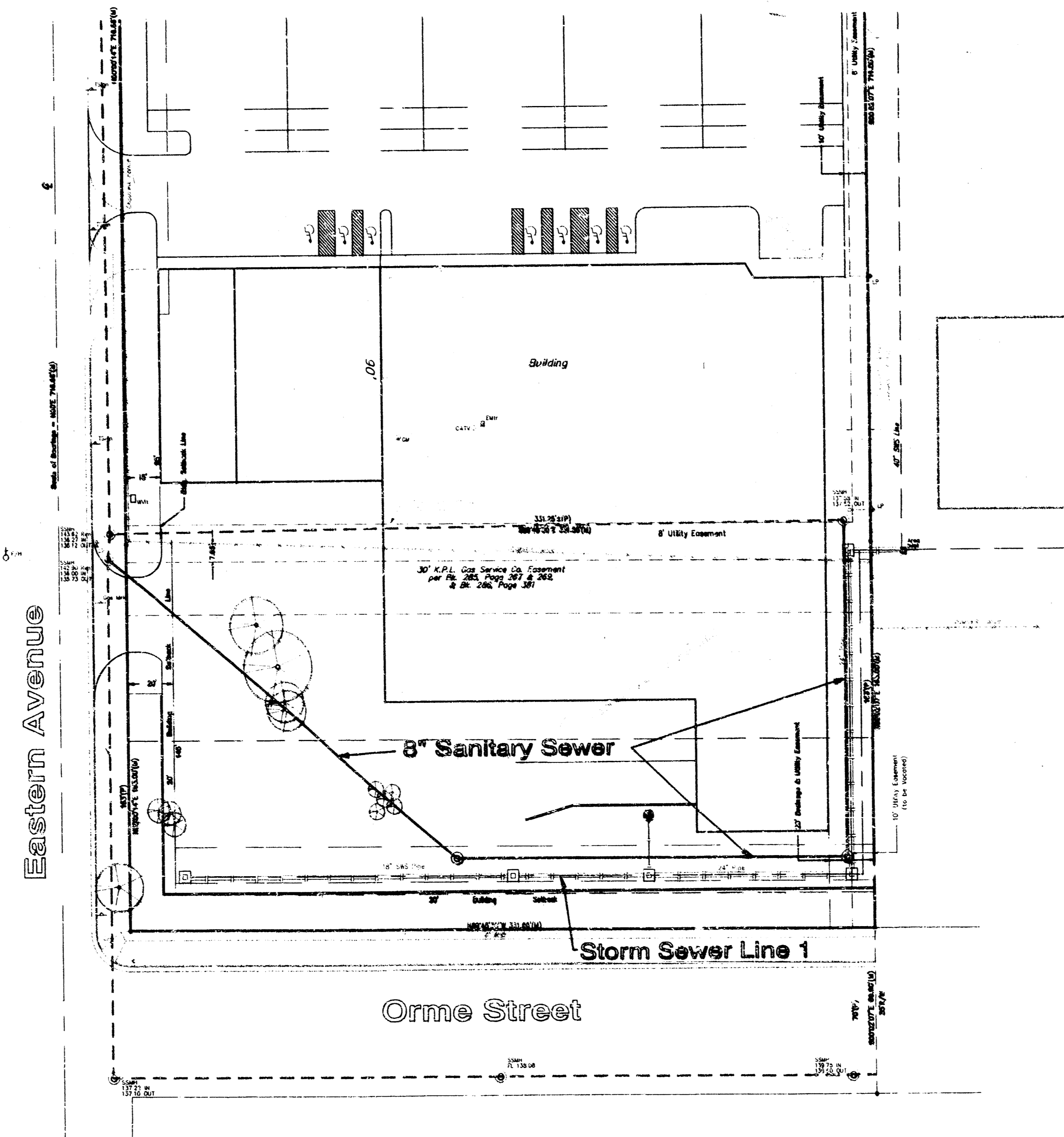
K.P.L. Gas Service Company	333-8650
Kansas Gas & Electric Company	383-8600
Cablevision	262-4270
or	283-2281
Southwestern Bell Telephone Company	1-571-2611
City of Wichita Water Dept.	268-4908
City of Wichita Sewer Maintenance	268-4071
5. Existing utilities and their locations, as shown on the plans, represent the best information obtainable for design. Location information has been obtained from the various utility companies and is either from company record drawings or company-provided field locations. The Contractor will be required to work around existing utilities which do not conflict with proposed construction. The Contractor shall verify all utility locations prior to construction of this project.
6. Contractor shall verify depth & location of existing utilities prior to construction.
7. The Contractor shall be responsible for maintaining continuous flow of sewage through construction. Contractor's proposed method for maintaining sewage flow shall be approved by the Engineer. Cost of maintaining flow of sewage through construction will not be paid for directly and this cost shall be considered subsidiary to the other pay items of work.
8. Storm sewer pipe shall be Contech Ultra Flow and installed in accordance with the manufacturer's specifications.



Location Map

Index of Sheets:

Title Sheet	1
Plan/Profile - SS Line 1	2
Standard Manhole Detail	3
Plan/Profile - SWS Line 1	4-5
Plan/Profile - SWS Line 2	6
Drop Inlet Detail	7
Copy of Plat	8



San. Sew.
booked
RDL
1/31/97
K-244

STORM SW.
BOOKED
2/10/97
MIG
D-326

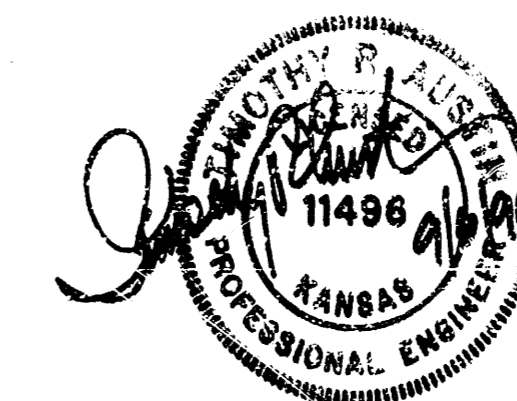
APPROVED AS NOTED
BY CITY ENGINEER OF WICHITA

Sanitary Sewers VRH 9/6/96

Storm Sewers VRH 9/6/96

NOTE TO CONTRACTORS

Inspection and testing for this project is to be provided by a Licensed Consulting Engineering Firm under contract with the Owner/Developer. Said inspection is to be in accordance with the City of Wichita standard construction engineering practices and certified by a Licensed Professional Engineer. No work shall be performed in dedicated easements or public right-of-way by the Contractor without such inspection nor shall any work be commenced without written authorization by the City Engineer. All construction and materials shall comply with the City of Wichita Specifications and Standards (as the and available in the City Engineer's Office).

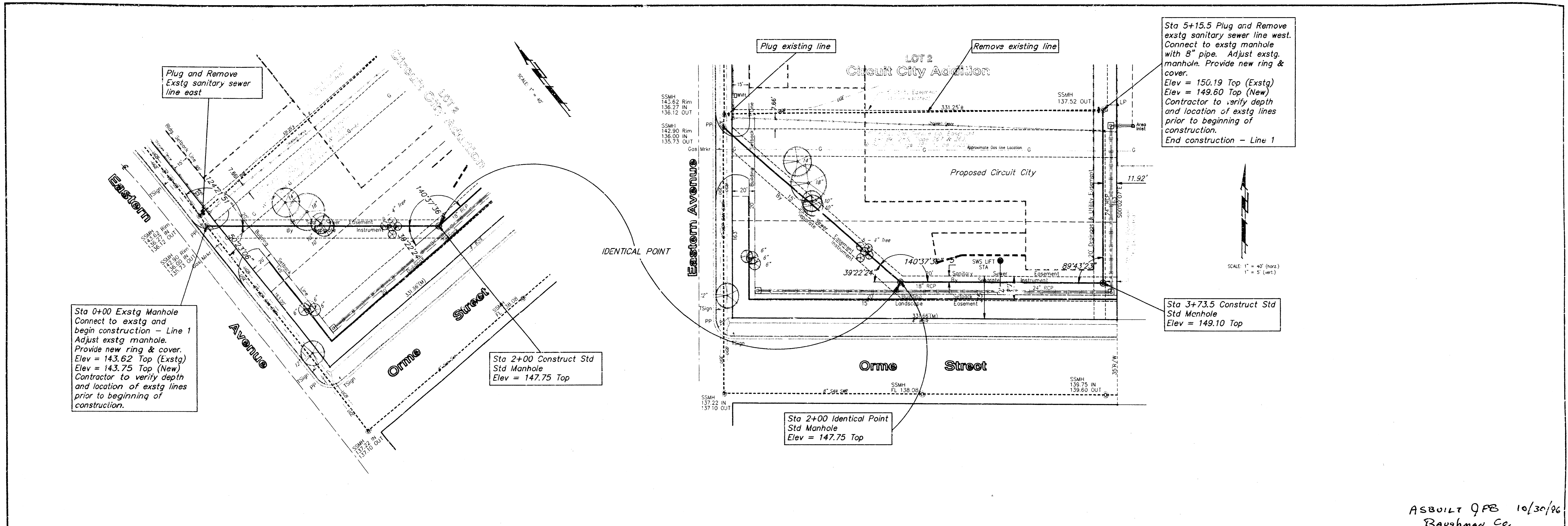


ASBUILT 10/30/96

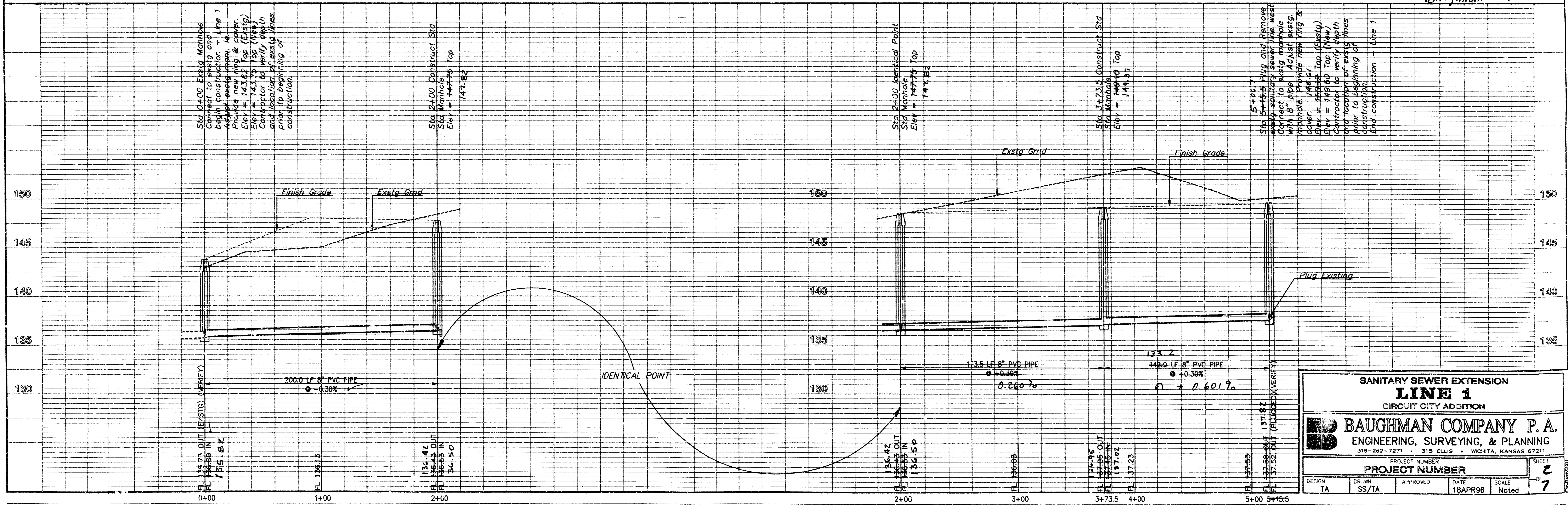
JFB Baughman Co.

BAUGHMAN COMPANY P. A.
ENGINEERING, SURVEYING, & PLANNING

316-262-7271 • 315 ELLIS • WICHITA, KANSAS 67211



ASBUILT QFB 10/30/06
Baughman Co.



SANITARY SEWER EXTENSION
LINE 1
CIRCUIT CITY ADDITION

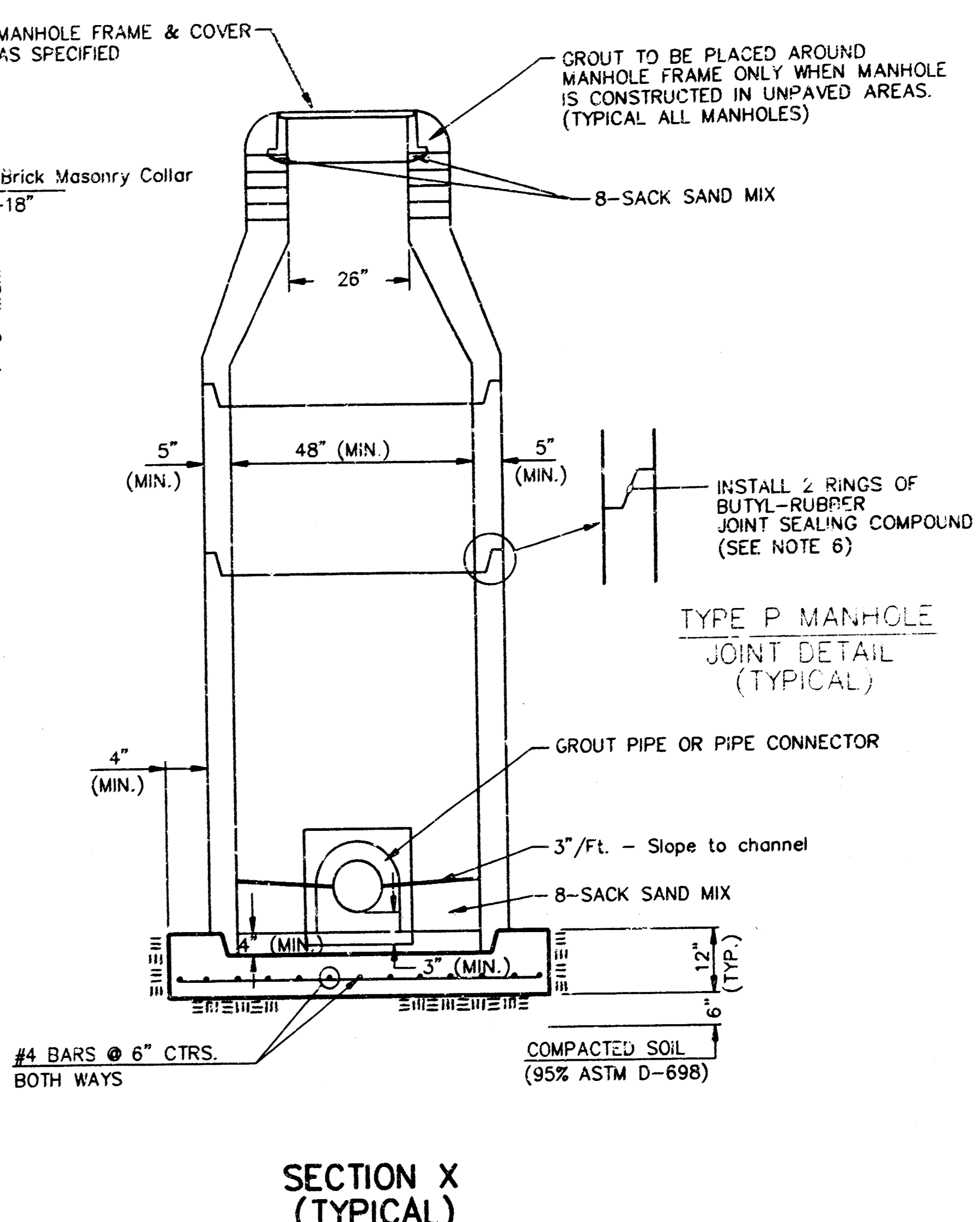
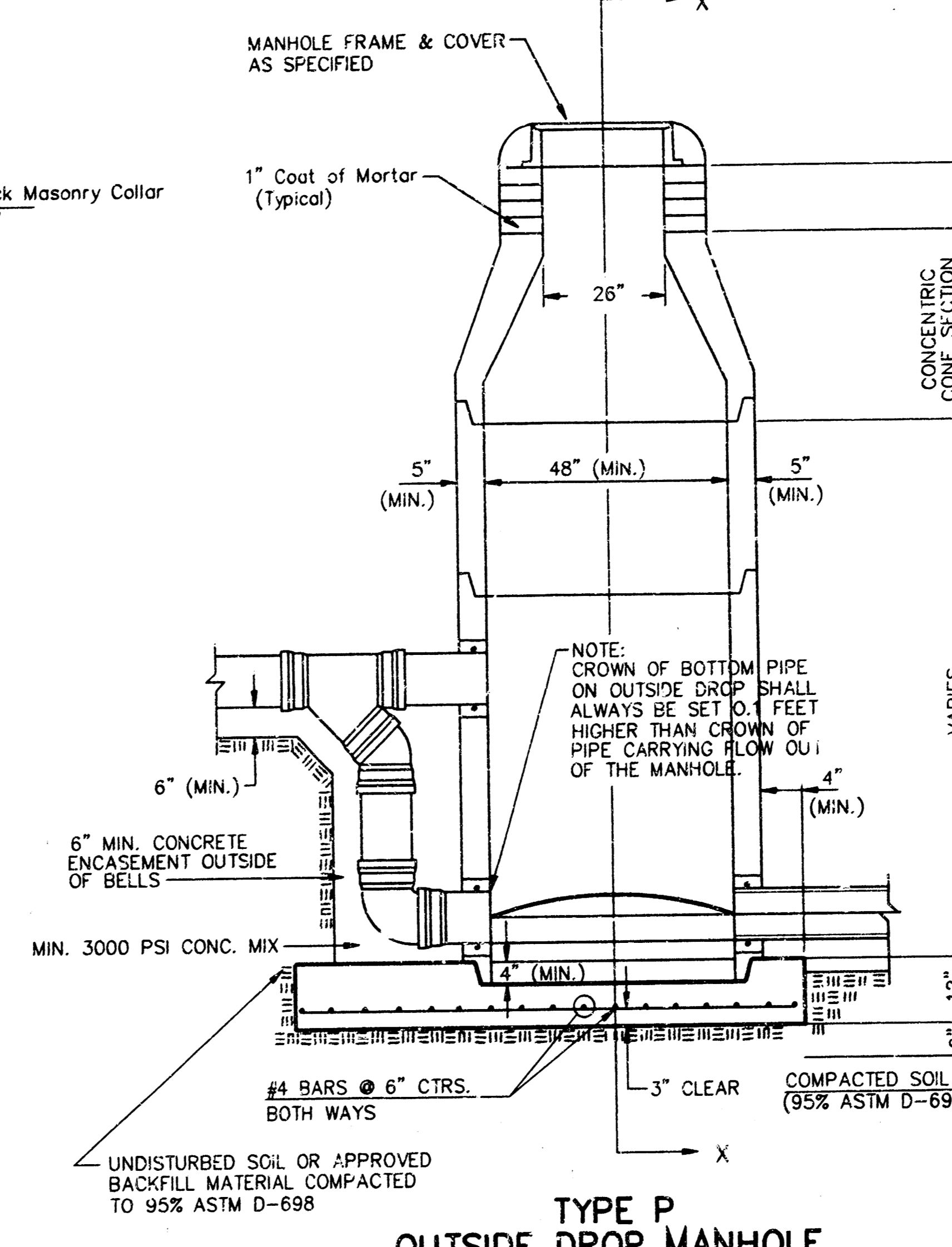
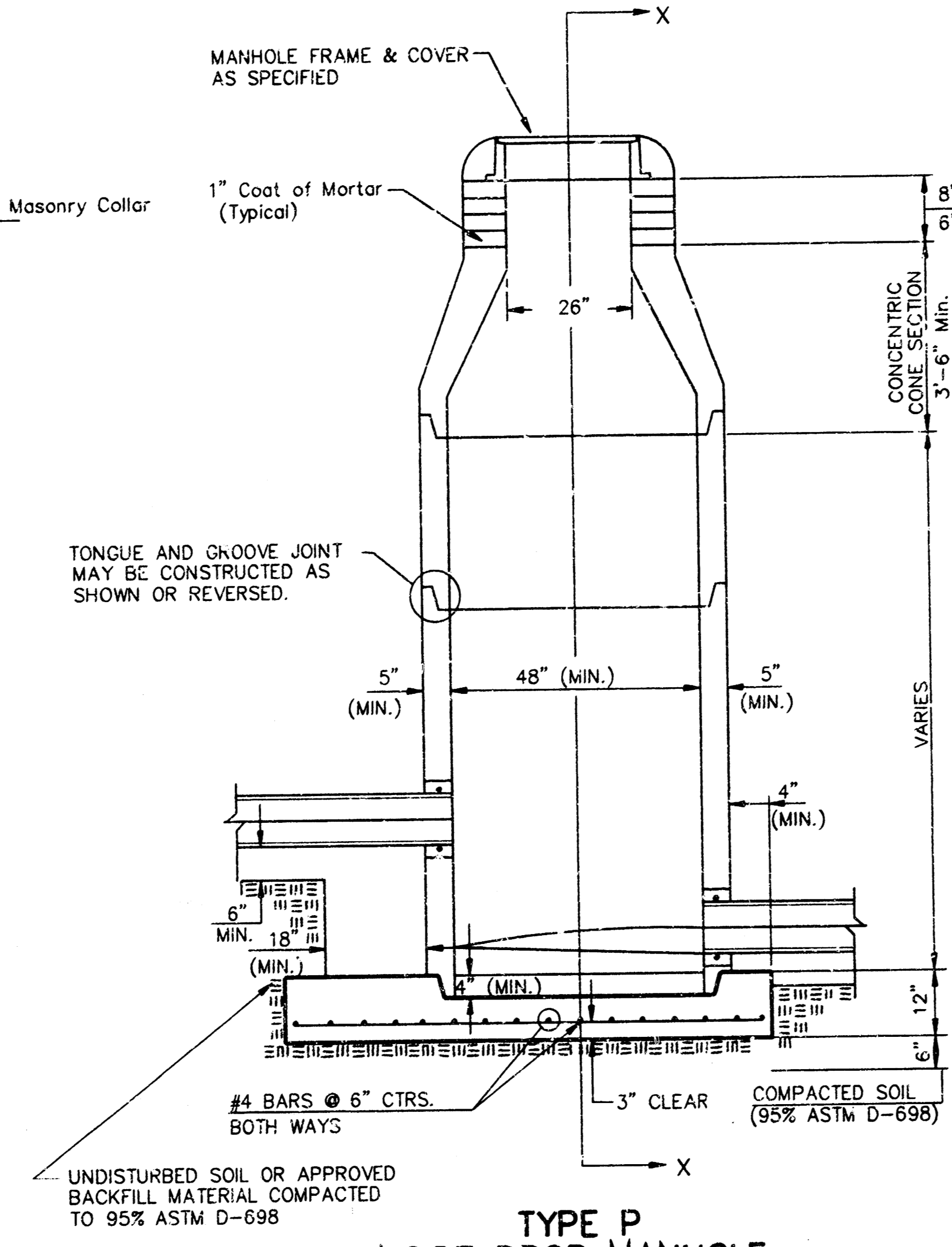
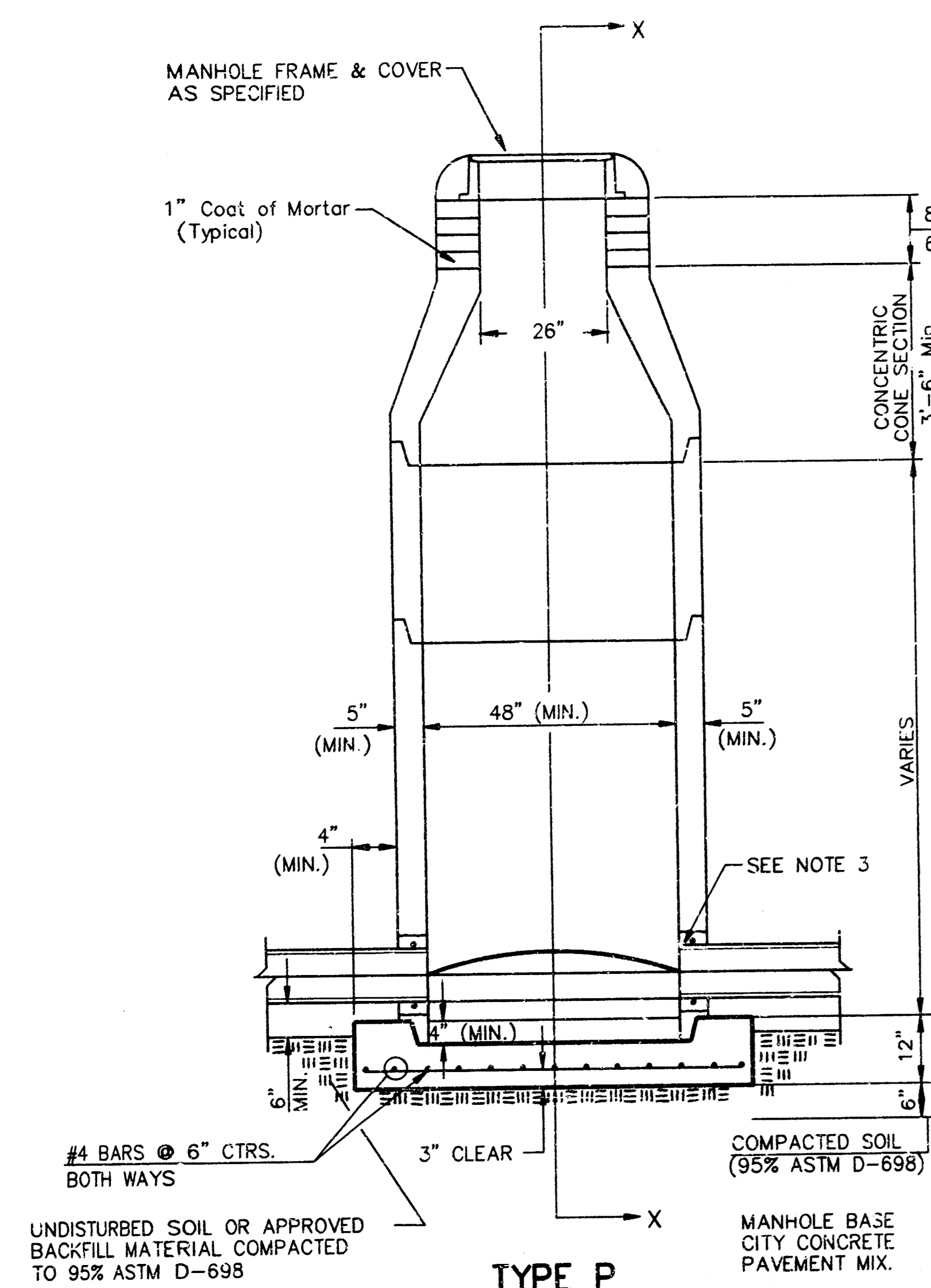
BAUGHMAN COMPANY P. A.
ENGINEERING, SURVEYING, & PLANNING
316-262-1721 • 316 ELLIS • WICHITA, KANSAS 67211

PROJECT NUMBER: _____
DATE: 18APR06
SCALE: Noted

DESIGN: TA
DATE: 18APR06
SCALE: Noted

SHEET: 2
7

SEWER APPURTENANCES DETAILS

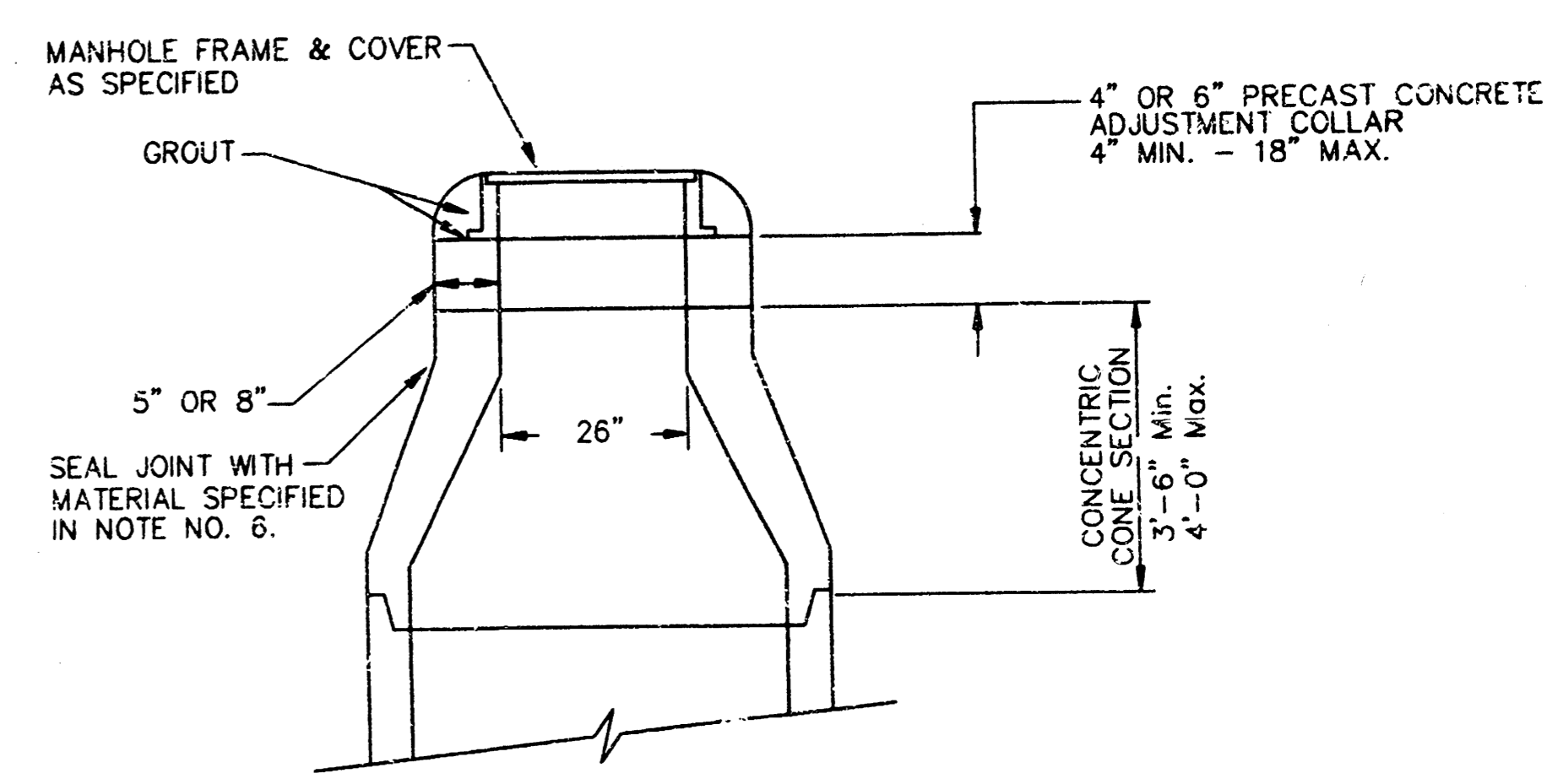


GENERAL NOTES

- PRECAST MANHOLE NOTES**
- ALL PRECAST CONCRETE MANHOLE SECTIONS SHALL CONFORM TO THE LATEST REVISIONS OF A.S.T.M. C478 AS MODIFIED BY THE SPECIFICATIONS.
 - NON-SHRINK GROUT SHALL BE NON-METALLIC TYPE.
 - APPROVED FLEXIBLE WATERSTOP GASKETS SHALL BE INSTALLED TO JOIN THE SEWER TO THE MANHOLE WALL WHEN A.B.S. COMPOSITE PIPE OR P.V.C. PIPE IS USED. FOR OTHER TYPES OF PIPE THE SEWER PIPE SHALL BE GROUDED IN PLACE WITH NON-SHRINK GROUT. THE SEWER PIPE SHALL BE SUPPORTED WITH CONCRETE ENCASEMENT A MINIMUM OF 3 FEET FROM THE MANHOLE WALL AND TO THE FIRST JOINT FOR V.C.P. SUCH THAT THE JOINT REMAINS FLEXIBLE.
 - ALL INSIDE SURFACES OF THE CONCRETE MANHOLE WHICH WOULD BE EXPOSED TO SEWER GAS SHALL BE COATED WITH 2 COATS TNEEC SERIES 66 HI-BUILD EPOXOLINE, DRY THICKNESS OF 8 MILS (MIN.)
 - EXTERIOR MANHOLE WALLS SHALL BE COATED WITH 1 COAT MOBILARMA 633 BITUMINOUS COATING.
 - JOINT SEALING COMPOUND SHALL BE KENT SEAL NO. 2 OR APPROVED EQUAL.
 - PRECAST MANHOLES SHALL BE SET AT LEAST 4 INCHES INTO THE MANHOLE BASE.
 - TOP OF MANHOLE FLOOR SLAB SHALL BE AT LEAST 3 INCHES BELOW THE FLOW LINE OF THE OUTLET PIPE TO INSURE SUFFICIENT MINIMUM THICKNESS OF SHAPED INVERT.
 - LIFTING HOLES SHALL BE FILLED WITH NON-SHRINK GROUT AND THE INTERIOR SURFACE COATED AS SPECIFIED.
 - MORTAR USED IN MASONRY CONSTRUCTION SHALL CONTAIN 8 SACKS OF CEMENT PER CUBIC YARD. CONCRETE USED IN MANHOLE BASES SHALL CONFORM TO THE REQUIREMENTS OF CONCRETE FOR CONCRETE PAVEMENT CONSTRUCTION AS SPECIFIED IN THE CITY STANDARD PAVING SPECIFICATIONS USING CITY CONCRETE PAVEMENT MIX WITHOUT AIR ENTRAINING ADMIXTURE. MORTAR SHALL BE PLACED AROUND THE MANHOLE RING AS SHOWN ON THE DRAWINGS WHEN MANHOLES ARE CONSTRUCTED IN UNPAVED AREAS. MANHOLES CONSTRUCTED WHERE PIPE SIZES ARE SMALLER THAN 24" SHALL HAVE AN INSIDE DIAMETER OF 4". MANHOLES CONSTRUCTED WHERE PIPE SIZES ARE 24" OR LARGER SHALL HAVE AN INSIDE DIAMETER OF 5". COMPLETED MANHOLE SHALL BE WITHOUT LEAKS AND WATER TIGHT.

- REINFORCING STEEL SHALL BE INSTALLED IN THE MANHOLE BASES AND SHALL CONSIST OF NO. 4 BARS PLACED ON CENTERS IN BOTH DIRECTIONS. THE MANHOLE BASE REINFORCEMENT SHALL BE PLACED AT LEAST 3" ABOVE THE BOTTOM OF THE MANHOLE BASE. ALL COSTS FOR FURNISHING AND INSTALLING REINFORCING STEEL SHALL BE INCLUDED IN THE UNIT PRICE BID FOR THE MANHOLE.
- OPENINGS SHALL BE CUT INTO THE MANHOLE WALL WHEN OUTSIDE DROPS ARE CONSTRUCTED ON EXISTING MANHOLES. SUCH OPENINGS CUT INTO EXISTING MANHOLES SHALL BE AS SMALL AS PRACTICAL TO FACILITATE INSTALLING AND GROUDED THE NEW PIPE IN PLACE. WATERSTOP GASKETS SHALL BE USED WITH P.V.C. AND A.B.S. COMPOSITE PIPE. THE NEW PIPE SHALL BE GROUDED INTO THE OPENING USING AN APPROVED NONSHRINK GROUT FOR THE FULL MANHOLE WALL THICKNESS. THE EXTERIOR OF THE COMPLETED CONNECTION SHALL BE SEALED WITH AN APPROVED BITUMINOUS COATING SUCH THAT THE CONNECTION WILL BE WATER TIGHT. FLOOR OF MANHOLE SHALL BE MODIFIED TO FORM NEW FLOW CHANNEL FOR THE NEW CONNECTION AS INDICATED BY THE DRAWING. THIS WORK, INCLUDING MODIFICATION OF MANHOLE FLOOR, SHALL BE PAID FOR AT THE UNIT PRICE BID FOR OUTSIDE DROP STACK CONSTRUCTED ON EXISTING MANHOLE.
- THE FLOORS OF ALL MANHOLES SHALL BE SHAPED WITH FLOW CHANNELS SUCH THAT THE MANHOLES WILL BE SELF-CLEANING AND FREE OF AREAS WHERE SOLIDS COULD BE DEPOSITED AS SEWAGE FLOWS THROUGH THE MANHOLE FROM ALL INLET PIPES TO THE OUTLET PIPE. FLOW CHANNELS SHALL BE FORMED TO MATCH THE BOTTOM HALVES OF THE INFLOWING PIPES AND THE OUTFLOWING PIPE AS SHOWN BY THE DRAWINGS EXCEPT FOR INSIDE DROP MANHOLES. FLOW CHANNELS FOR INSIDE DROP MANHOLES SHALL BE CONSTRUCTED AS INDICATED BY THE DRAWING. MANHOLE FLOORS SHALL HAVE SLOPES OF 3 INCHES PER FOOT IN THE AREAS OUTSIDE OF THE FLOW CHANNELS SLOPED TOWARD THE FLOW CHANNELS. PIPES LAID THROUGH MANHOLES SHALL HAVE THE TOP HALF REMOVED TO NEAR LINES FOR THE FULL INSIDE DIAMETER OF THE MANHOLE. MANHOLE FLOORS SHALL THEN BE SHAPED AROUND THE BOTTOM HALF OF THE PIPE WHICH FORMS THE FLOW CHANNEL.
- PIPES INSTALLED WITHIN THE EXCAVATION MADE FOR THE MANHOLE SHALL BE CRADLED WITH CONCRETE TO THE LIMITS OF THE MANHOLE EXCAVATION. WHEN CLAY PIPE IS USED, THE CRADLE SHALL EXTEND TO THE FIRST JOINT OUTSIDE THE MANHOLE. THE CRADLE SHALL BE TERMINATED AT THE CLAY PIPE JOINT IN A MANNER WHICH WILL MAINTAIN THE FLEXIBILITY OF THE JOINT. COST OF CRADLE WITHIN MANHOLE EXCAVATION OR TO CLAY PIPE JOINTS ADJACENT TO MANHOLE SHALL BE INCLUDED IN THE UNIT PRICE BID FOR THE MANHOLE.

- MANHOLE COVER CASTINGS AND MANHOLE FRAME CASTINGS SHALL CONFORM TO THE REQUIREMENTS AS INDICATED IN THE STANDARD SPECIFICATIONS AND AS SHOWN IN THE STANDARD DETAIL DRAWING.
- THE VERTICAL DROP IN INSIDE DROP MANHOLES SHALL NOT EXCEED 2' FOR INFLOWING PIPES SIZED 12" OR SMALLER AND 2' FOR INFLOWING PIPES LARGER THAN 12". THE CROWNS OF INFLOWING PIPES SHALL NEVER BE SET LOWER THAN THE CROWN OF THE OUTFLOWING PIPE.
- STANDARD MANHOLES AND STANDARD INSIDE DROP MANHOLES SHALL BE BID AS STANDARD MANHOLES FOR THE TYPE AND DIAMETER INDICATED. OUTSIDE DROP MANHOLES SHALL BE BID AS STANDARD OUTSIDE DROP MANHOLES FOR THE TYPE AND DIAMETER INDICATED. ALL MANHOLE DIAMETERS WILL BE 4" UNLESS INDICATED OTHERWISE.
- A BRICK MASONRY COLLAR SHALL BE INSTALLED BETWEEN THE CAST IRON FRAME AND THE CONCENTRIC CONE. THE COLLAR WILL HAVE 8" WALLS AND A VERTICAL HEIGHT OF 6" MINIMUM AND 16" MAXIMUM. A 1" COAT OF MORTAR WILL BE PLASTERED ON THE OUTSIDE OF THE COLLAR. THE USE OF PRE-CAST CONCRETE SPACERS FOR MANHOLE TOP ADJUSTMENT IS ALSO ALLOWED.



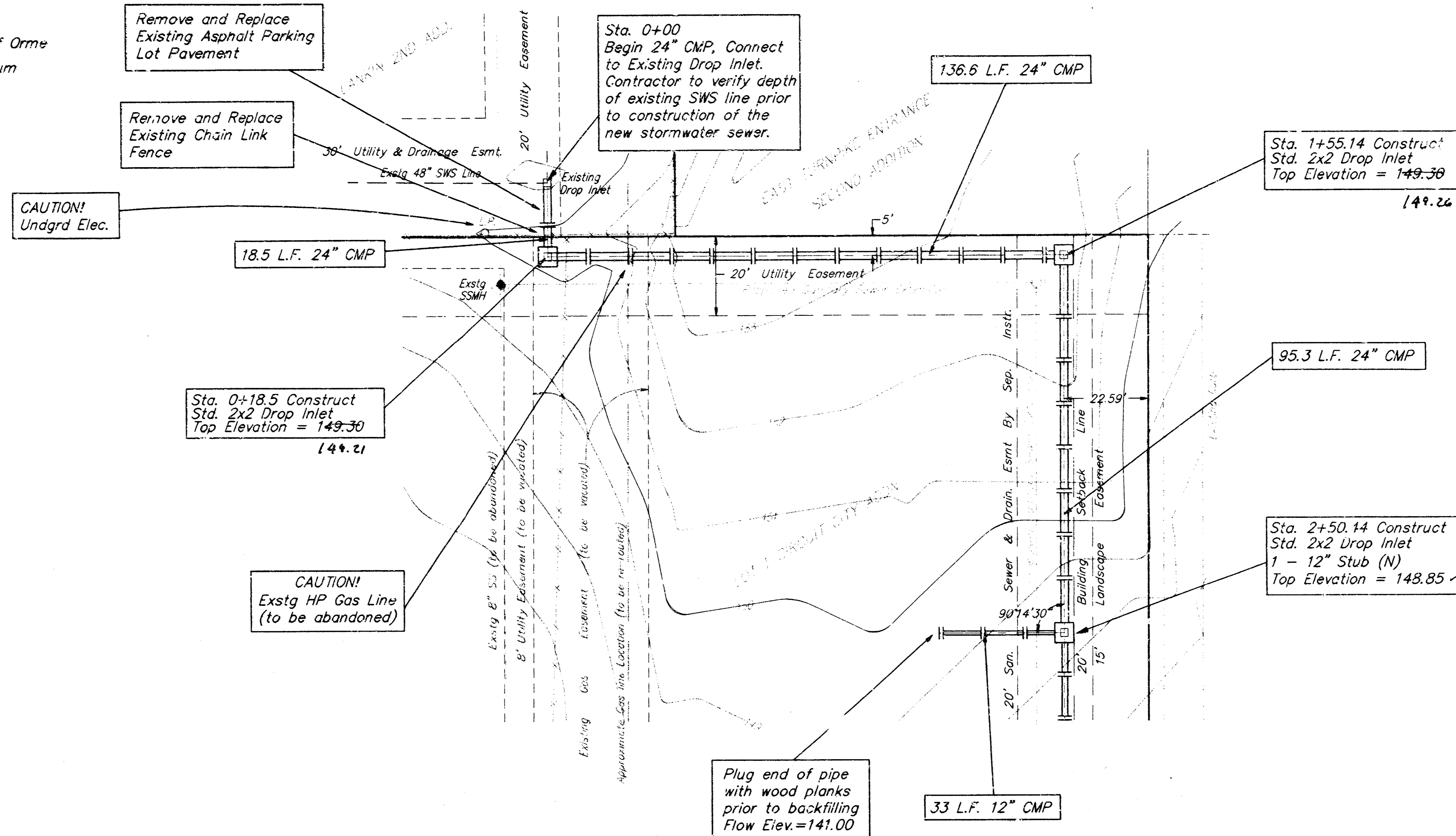
CITY OF WICHITA
STD. MANHOLE DETAILS
 & SEWER APPURTENANCES DETAILS

BAUGHMAN COMPANY P.A.
 ENGINEERING, SURVEYING, & PLANNING
 315-262-7271 • 315 ELLIS • WICHITA, KANSAS 67211

PROJECT NUMBER: _____
 SHEET: **3** OF **7**

DESIGN	DRAWN	APPROVED	DATE	SCALE
	NOV.93			

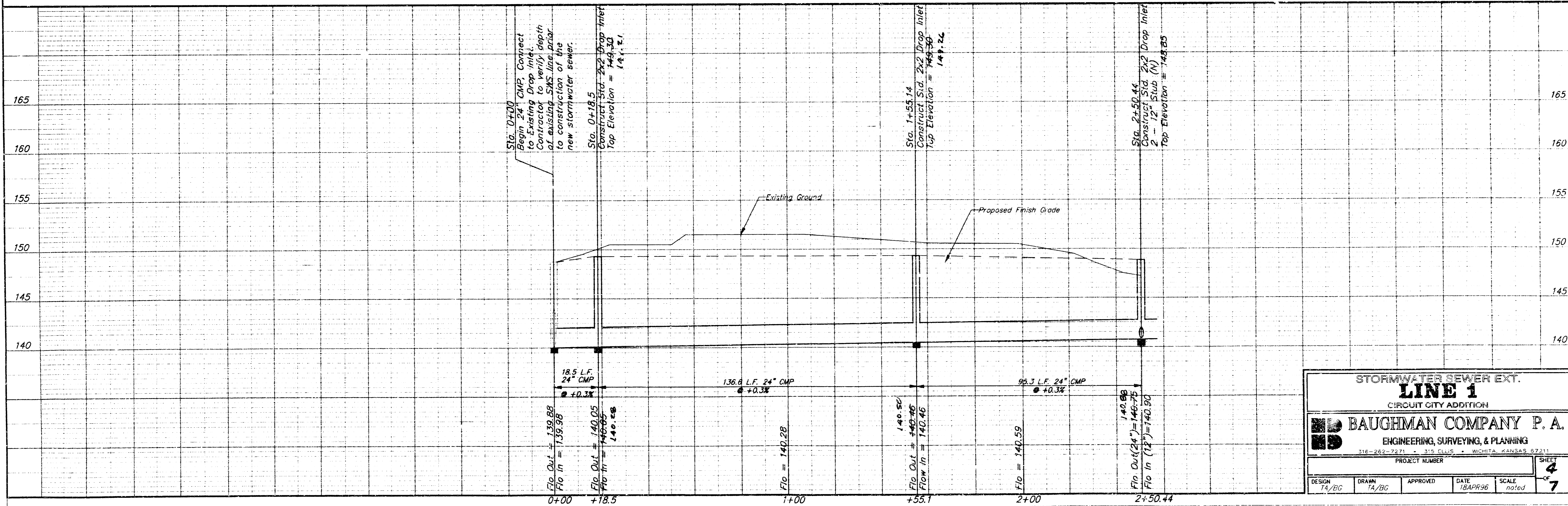
Benchmark:
 "□" cut top of curb, Southeast corner of Orme
 and Eastern Elevation = 143.21 City Datum



SCALE:
 1" = 20' Horizontal
 1" = 5' Vertical

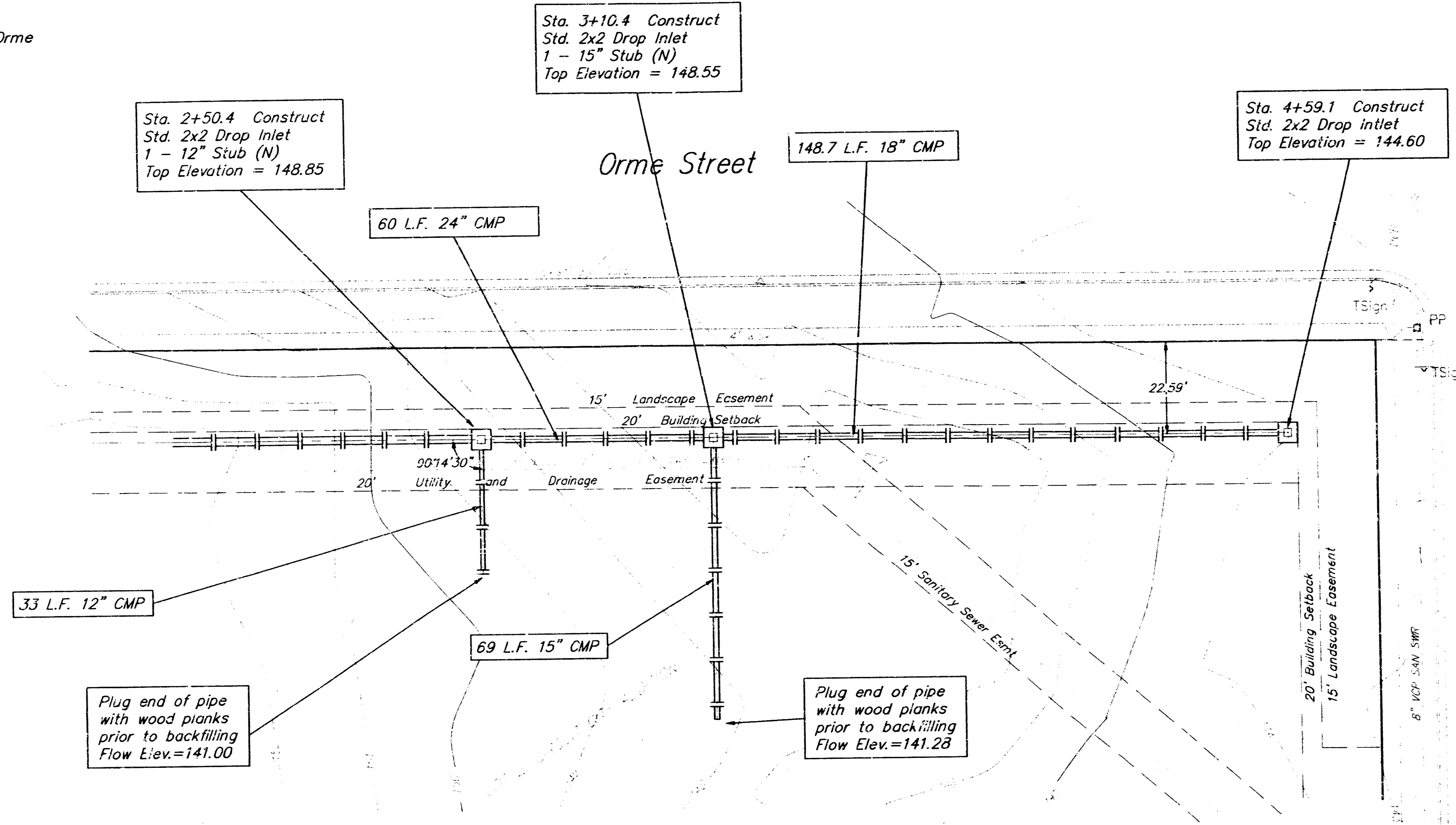
General Notes:
 1. Corrugated Metal Pipe Shall Be Contech Ultra Flow and Installed in Accordance With Manufactures specifications

JFB Baughman Co.
 ASBUILT 10/30/96



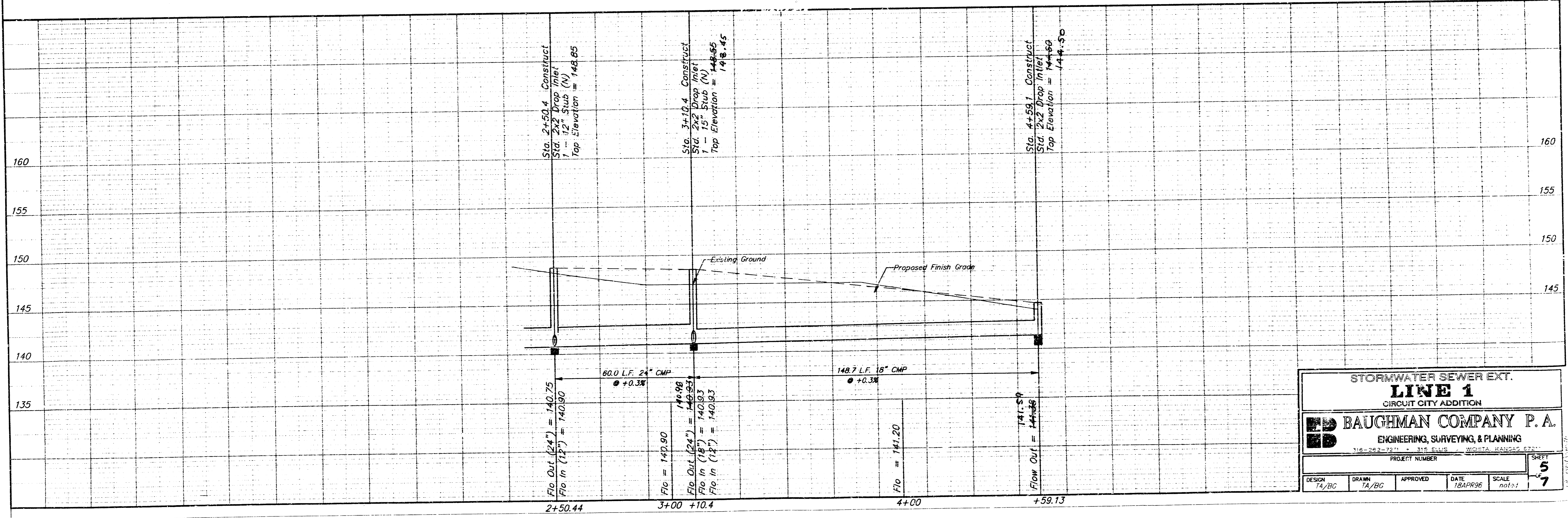
STORMWATER SEWER EXT.				
LINE 1				
CIRCUIT CITY ADDITION				
BAUGHMAN COMPANY P. A.				
ENGINEERING, SURVEYING, & PLANNING				
316-262-7271 • 315 ELLIS • WICHITA, KANSAS 67211				
PROJECT NUMBER				SHEET
DESIGN T4/BG				4
DRAWN T4/BG				OF
APPROVED				7
DATE 18APR96				
SCALE noted				

BENCHMARK:
 "□" cut top of curb, Southeast corner of Orme
 and Eastern Elevation = 143.21 City Datum



SCALE:
 1" = 20' Horizontal
 1" = 5' Vertical

JFB Baughman Co.
 ASBUILT 10/30/96



STORMWATER SEWER EXT.
LINE 1
 CIRCUIT CITY ADDITION

JFB BAUGHMAN COMPANY P. A.
 ENGINEERING, SURVEYING, & PLANNING

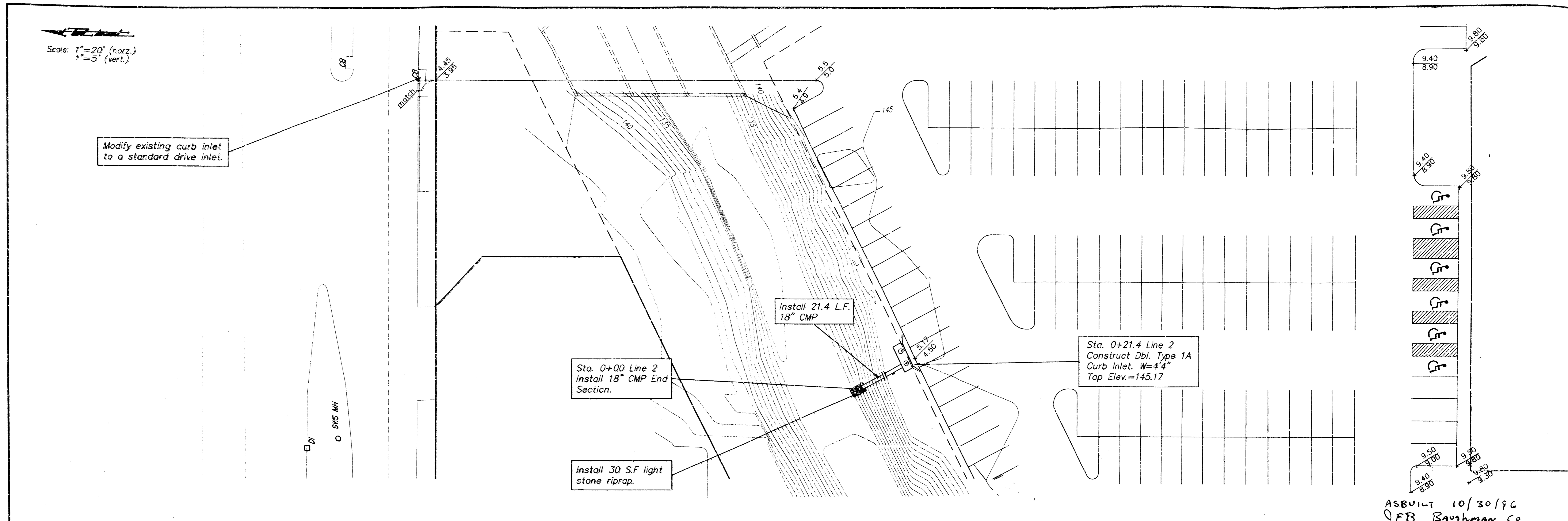
116-282-7271 • 315 ELLIS WOODS, MANASSAS, VA 20108

PROJECT NUMBER: _____

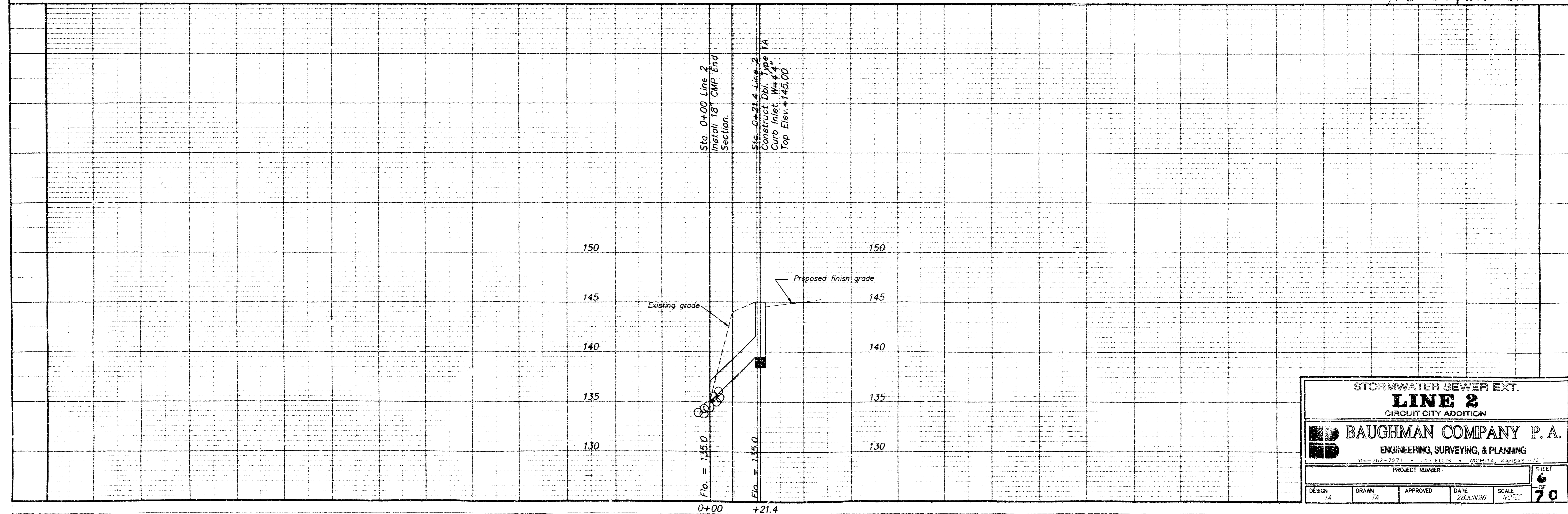
DESIGN TA/BC	DRAWN TA/BC	APPROVED	DATE 12/28/96	SCALE AS SHOWN
-----------------	----------------	----------	------------------	-------------------

SHEET 57

Scale: 1"=20' (horz.)
1"=5' (vert.)



ASBUILT 10/30/96
JFB Baughman Co.



STORMWATER SEWER EXT.			
LINE 2			
CIRCUIT CITY ADDITION			
BAUGHMAN COMPANY P. A. ENGINEERING, SURVEYING, & PLANNING <small>316-262-7271 • 315 ELLIS • WICHITA, KANSAS 67201</small>			
PROJECT NUMBER			
DESIGN	DRAWN	APPROVED	DATE
TA	TA		28.11.96
SCALE		SHEET	
NOTES		7C	

