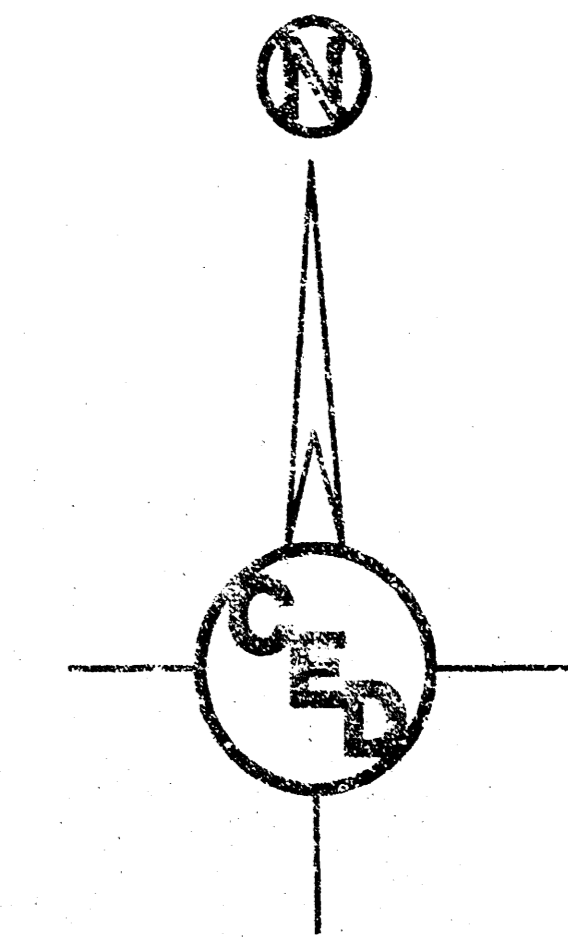
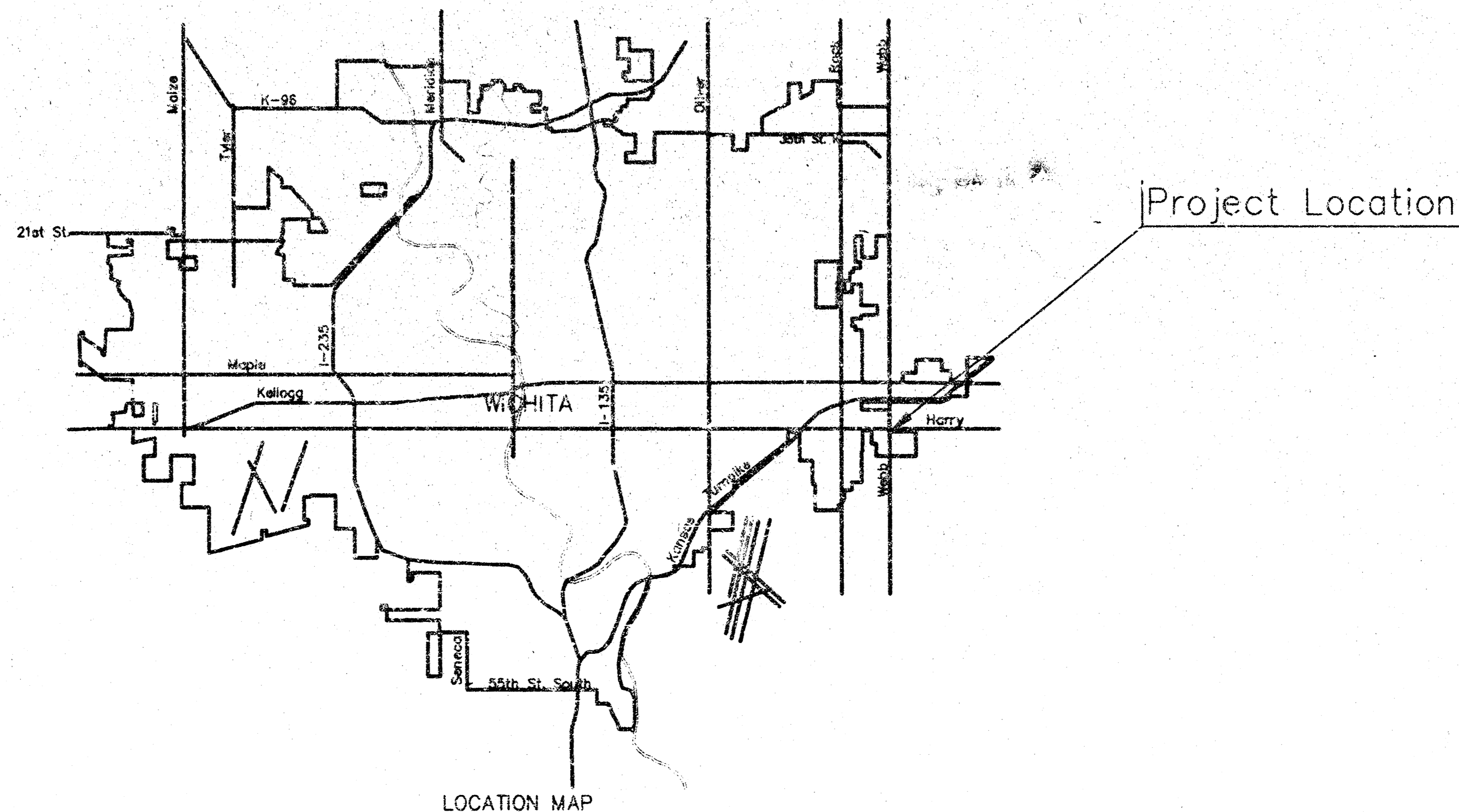


STORM SEWER IMPROVEMENTS
FOR A
PROPOSED TACO SHOP
LOCATED IN
LOT 2, EXCEPT THE NORTH 50 FEET, BLOCK 1,
WEBB ROAD ADDITION
WICHITA, SEDGWICK COUNTY, KANSAS
CITY OF WICHITA PRIVATE PROJECT NO. 623 PPS(607861)
MIKE LINDEBAK, P.E., CITY ENGINEER



No Scale



LOCATION MAP

APPROVED AS NOTED
 By CITY ENGINEER OF WICHITA

Sanitary Sewers _____
 Storm Sewers VRH 7/19/96
 Driveway Approaches _____
 Water Mains _____
 Paving _____

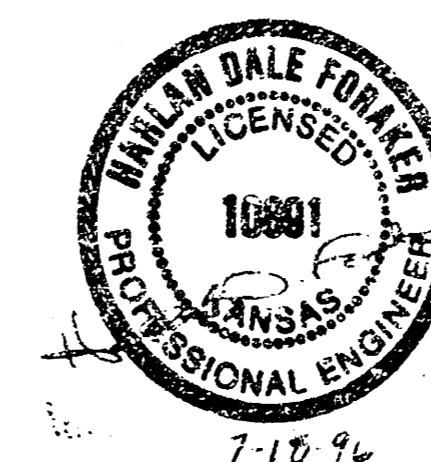
NOTE TO CONTRACTOR

INSPECTION AND TESTING FOR THIS PROJECT IS TO BE PROVIDED BY A LICENSED CONSULTING ENGINEERING FIRM UNDER CONTRACT WITH THE OWNER/DEVELOPER. SAID INSPECTION TO BE IN ACCORDANCE WITH THE CITY OF WICHITA STANDARD CONSTRUCTION ENGINEERING PRACTICES AND CERTIFIED BY A LICENSED PROFESSIONAL ENGINEER. NO WORK SHALL BE PERFORMED IN DEDICATED EASEMENTS OR THE PUBLIC RIGHT-OF-WAY BY THE CONTRACTOR WITHOUT SUCH INSPECTION NOR SHALL ANY WORK BE COMMENCED IN DEDICATED EASEMENTS OR PUBLIC RIGHT-OF-WAY WITHOUT WRITTEN AUTHORIZATION BY THE CITY ENGINEER.

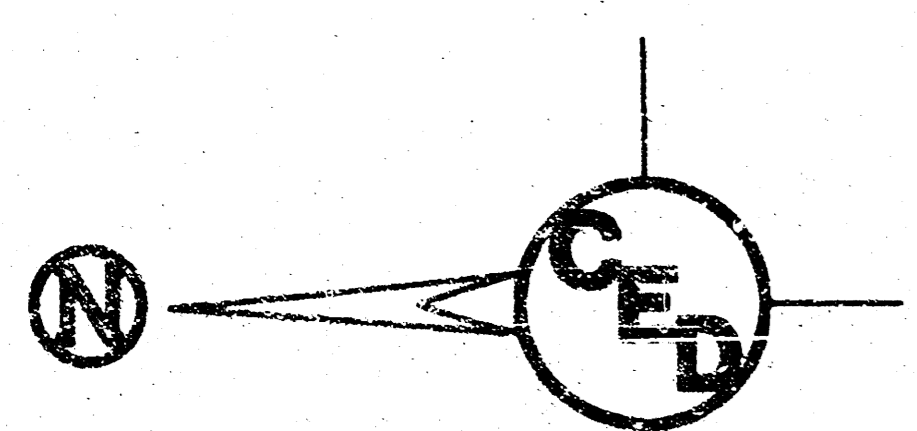
INDEX OF SHEETS

1. Title Sheet
2. Plan--Profile Sheet
3. Curb Inlet Detail

PROJECT LOCATED IN
LOT 2, EXCEPT THE NORTH 50 FEET, BLOCK 1
WEBB ROAD ADDITION, SEDGWICK COUNTY, KANSAS



| | | |
|-------------------------------------|---|------------|
| COW PRIV. PROJ. NO. 623 PPS(607861) | | |
| CERTIFIED ENGINEERING DESIGN | | |
| CED | 235 NORTH OHIO WICHITA, KANSAS 67214 (916) 262-8808 | SHEET 1 |
| | | TOTAL 3 |



1" = 20'

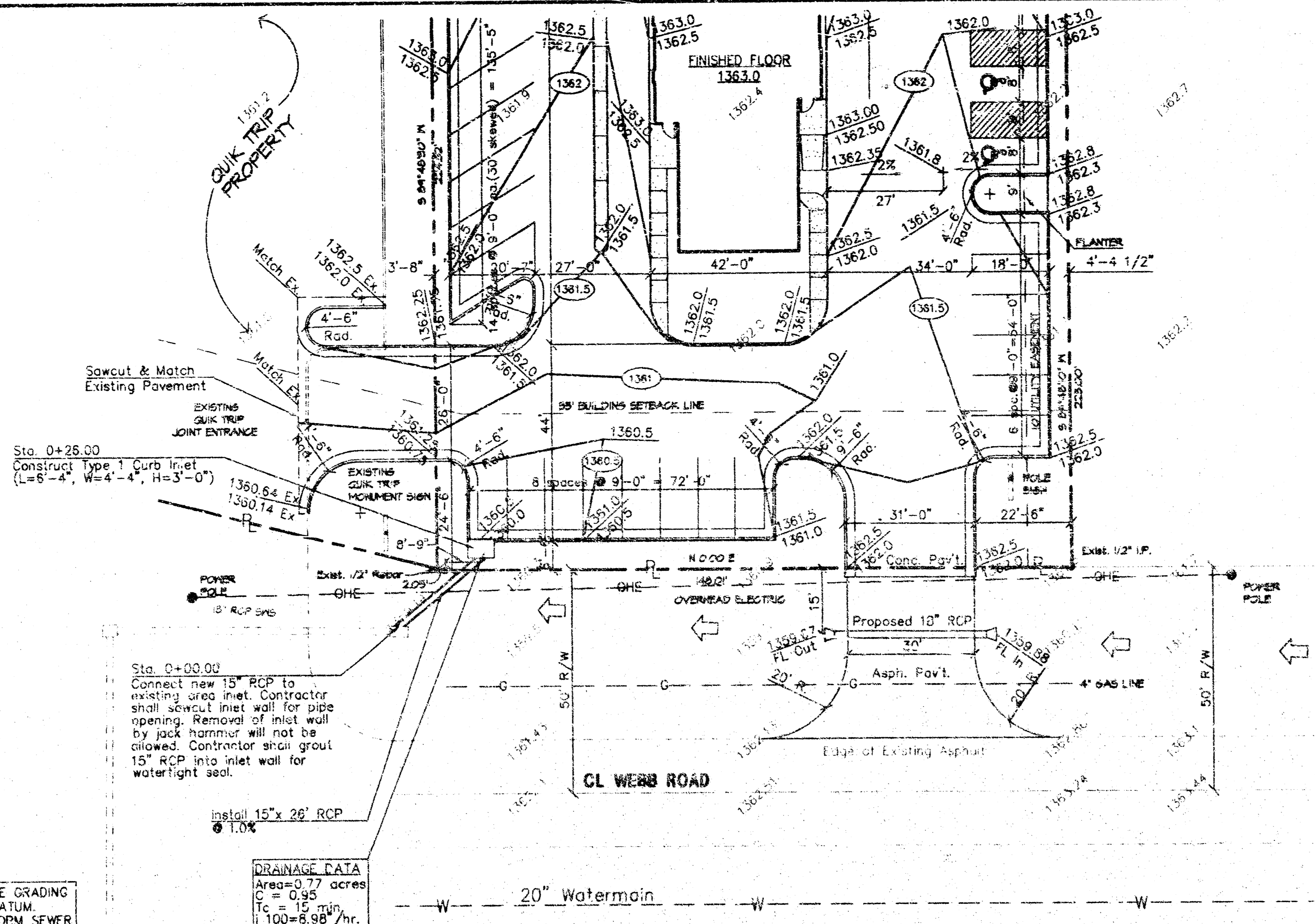
BENCHMARK #1
 COW BENCHMARK @ N.W. COR. INTERSECTION
 OF WEBB ROAD AND HARRY
 S.E. COR. SIGNAL LIGHT POLE BASE
 ELEV.=171.64 City Datum
 ELFV.=1359.04 MSL

LEGEND

- EXISTING TREE AND DIAMETER
- EXISTING SPOT ELEVATION
- PROPOSED TOP OF CURB/
FLUMLINE ELEVATION
- DRAINAGE FLOW DIRECTION
- CONTOUR LINE
- BENCHMARK
- SANITARY SEWER LINE
- OVERHEAD ELECTRIC LINE
- GAS LINE
- WATER LINE

NOTE: SPOT ELEVATIONS SHOWN FOR SITE GRADING
 PLAN ARE ON MEAN SEA LEVEL DATUM.
 ELEVATIONS FOR COW PRIVATE STORM SEWER
 PROJECT ARE ON CITY DATUM.

DRAINAGE DATA
 Area=0.77 acres
 C = 0.95
 I = 1.0%
 Q 100=8.98 cfs
 Q 100=8.8 cfs



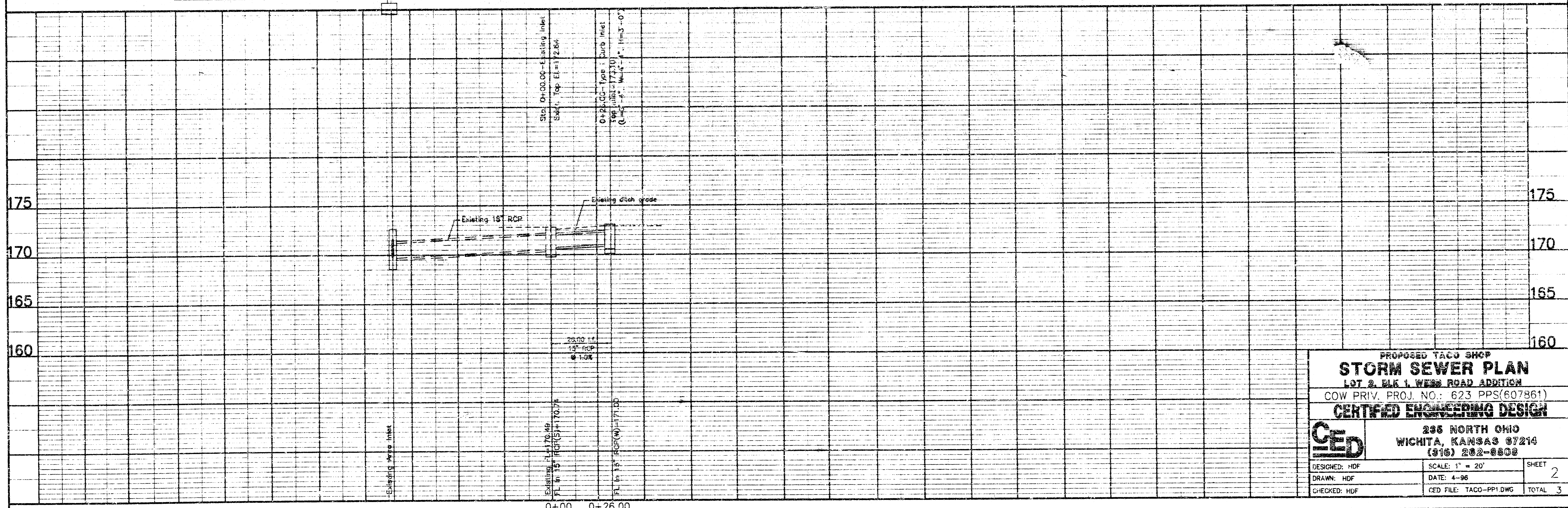
UTILITIES SHOWN REPRESENT THE BEST
 INFORMATION AVAILABLE FOR DESIGN. ADDITIONAL
 UTILITIES MAY BE PRESENT ON THIS PROJECT.
 THE CONTRACTOR SHALL BE RESPONSIBLE FOR
 DETERMINING THE EXACT LOCATION, DEPTH
 AND SIZE OF ALL UNDERGROUND UTILITIES
 PRIOR TO CONSTRUCTION. THE CONTRACTOR
 SHALL BE LIABLE FOR ANY DAMAGE CAUSED
 BY THE FAILURE TO DO SO.

GENERAL NOTES

1. The Contractor shall provide a minimum advance notice of 48 hours to utility companies prior to starting construction as follows:
 KANSAS ONE CALL 1-800-344-7233 or 687-2470(LOCAL WICHITA)
 The Contractor must notify the following in the event of an emergency:
 Southwestern Bell Telephone 1-571-2115
 Kansas Gas Service Company 262-0661
 Kansas Gas & Electric 263-7511
 Arkia Gas Company 264-1141
 Multimedia Cablevision 262-0661
 City of Wichita Water & Sewer 268-4908
2. Pavement grades shown are to the top of pavement.
3. Existing elevations were provided by others.
 Contractor shall verify existing grades and notify Engineer of any discrepancies.
4. Contractor shall be responsible for establishing and protecting Benchmark throughout construction.
5. Contractor shall strip site of topsoil(6" min.) and stockpile this material to be used in grassed areas.
6. Compaction of fill material and subgrade stabilization shall comply with Geotechnical Engineering Report.
7. The Contractor shall restore City right-of-way to conditions which existed prior to the commencement of work shown on this plan.

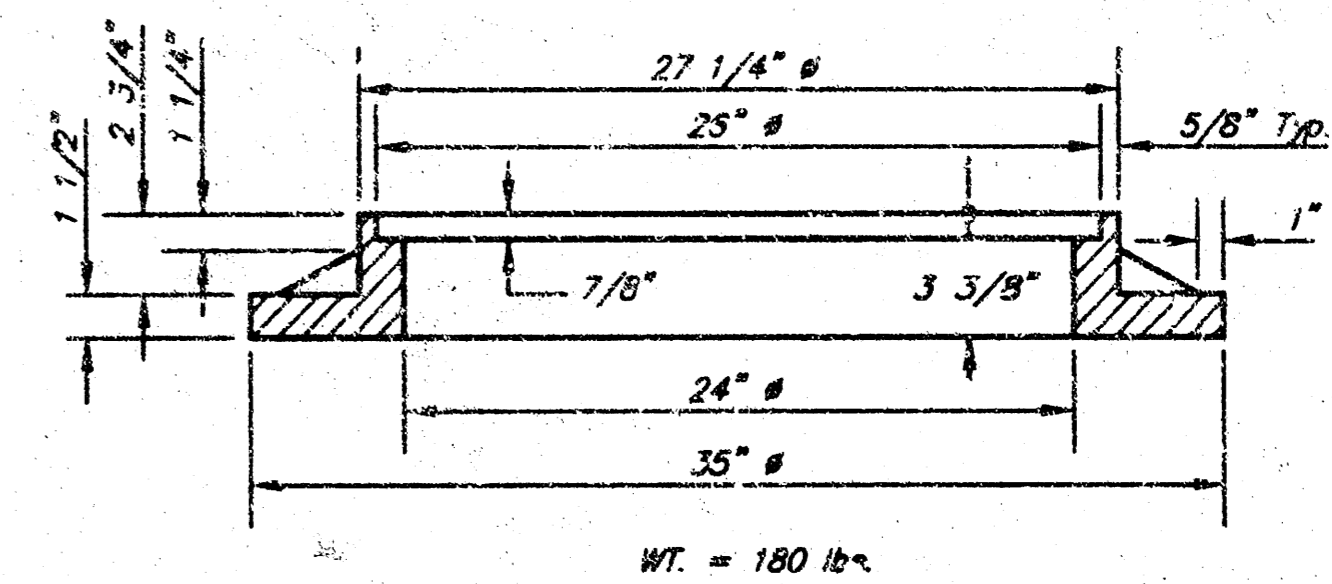
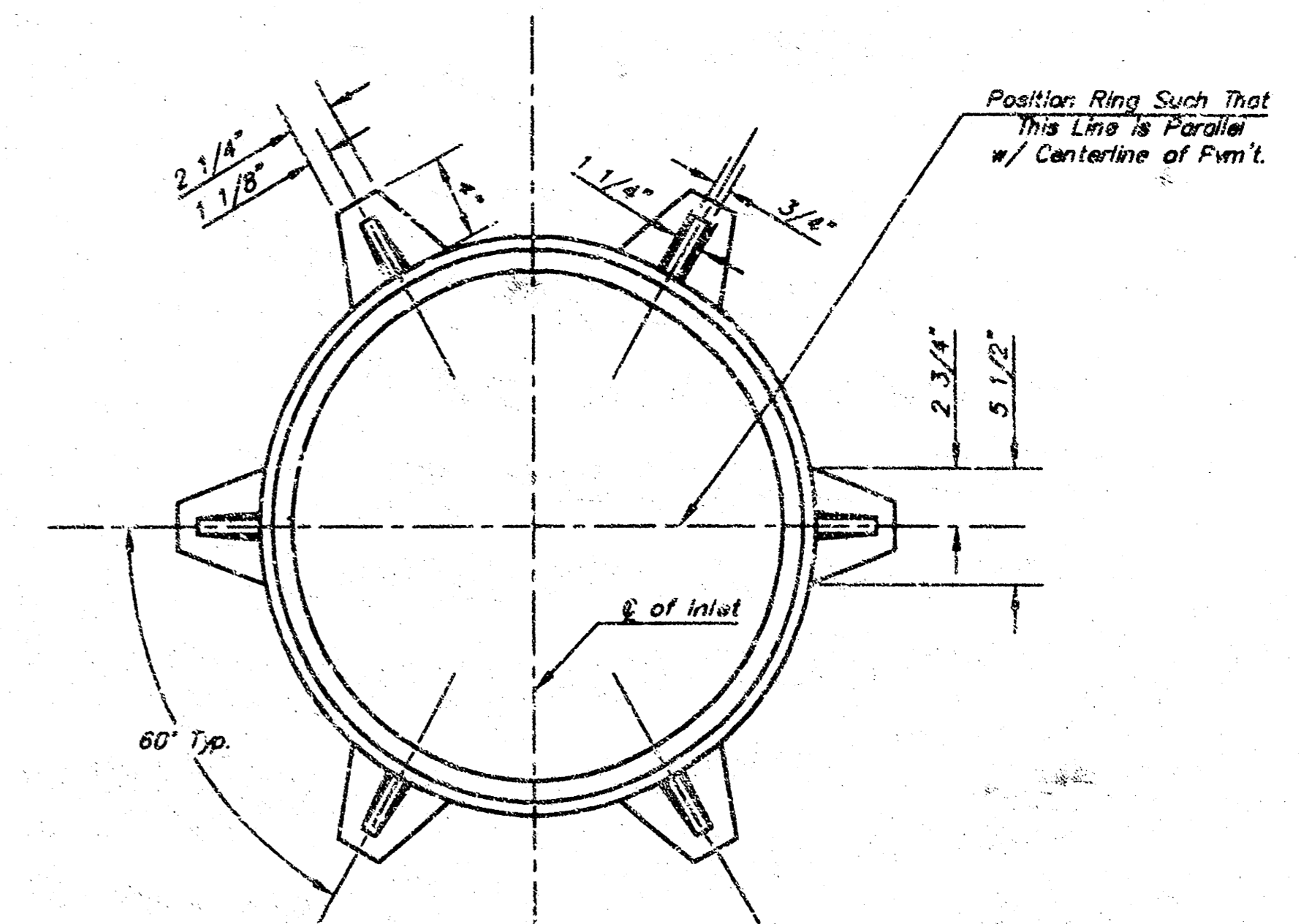
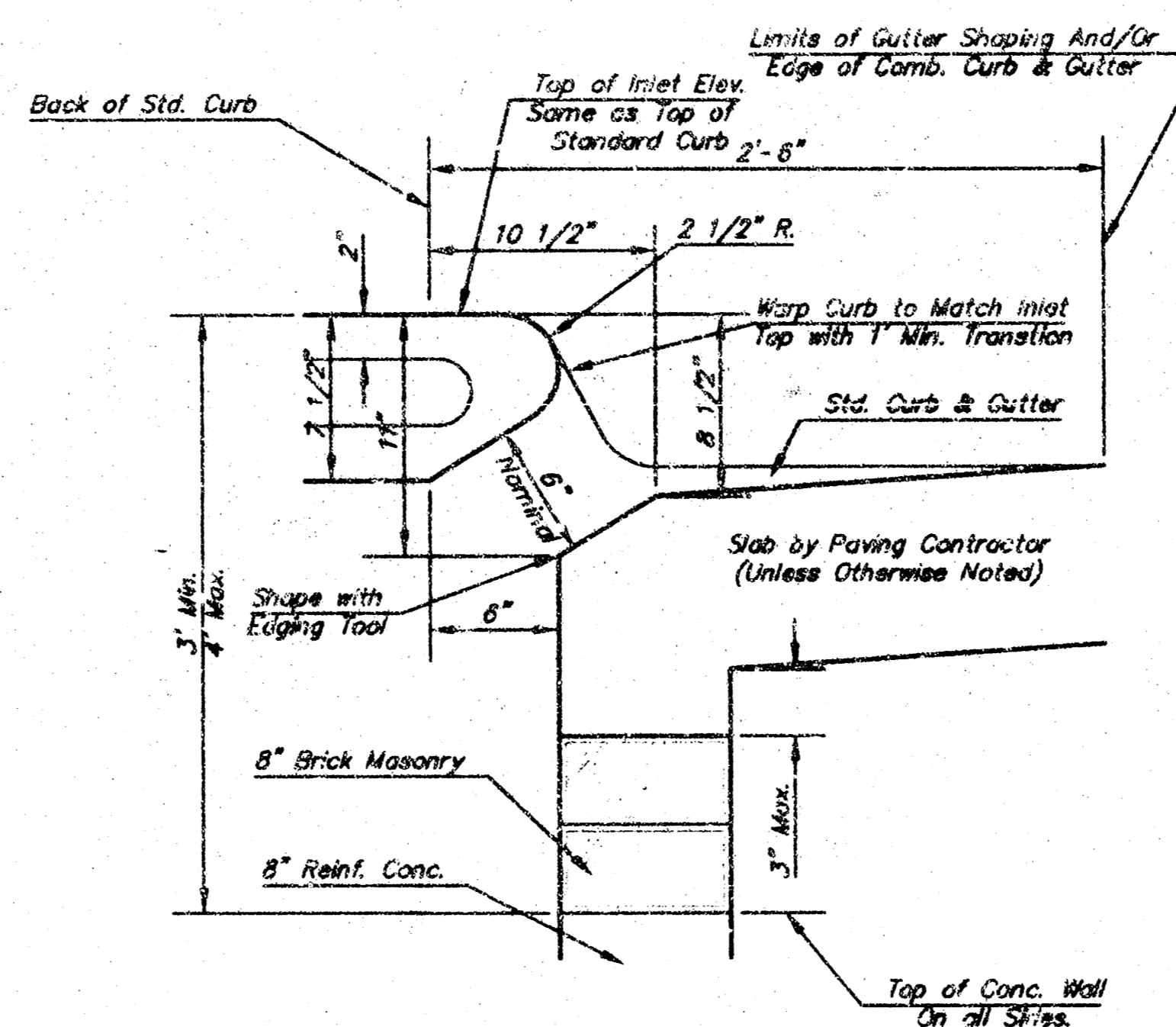
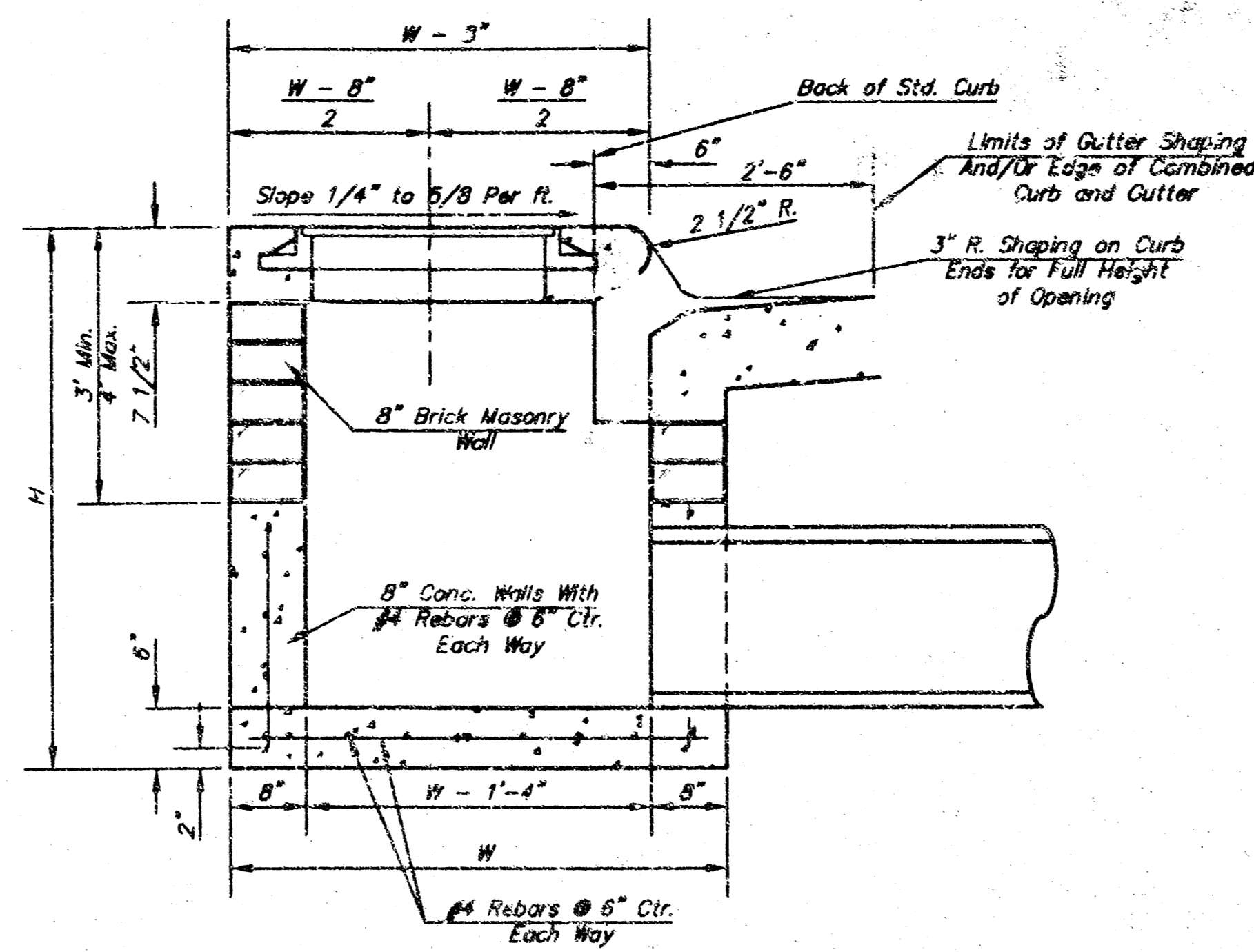
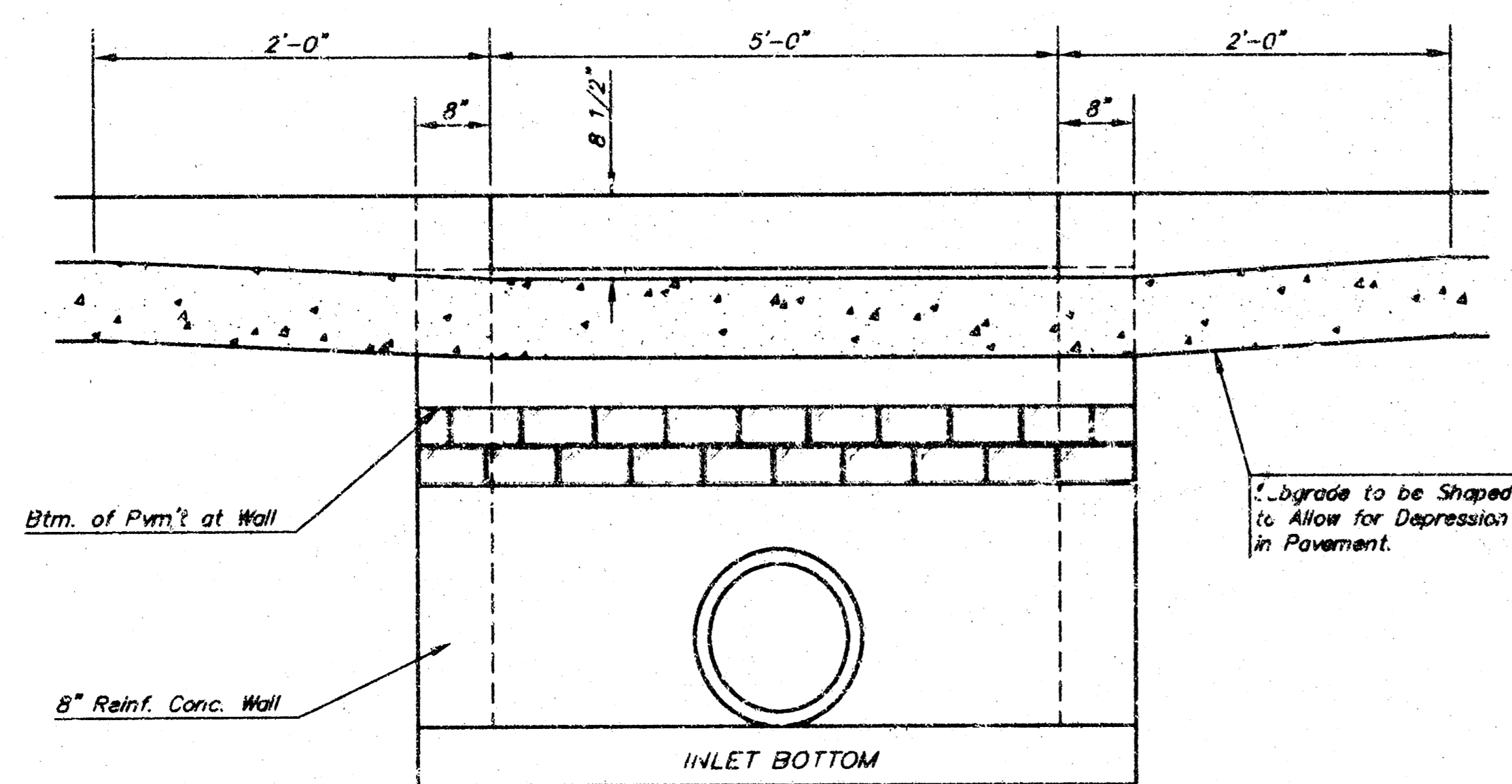
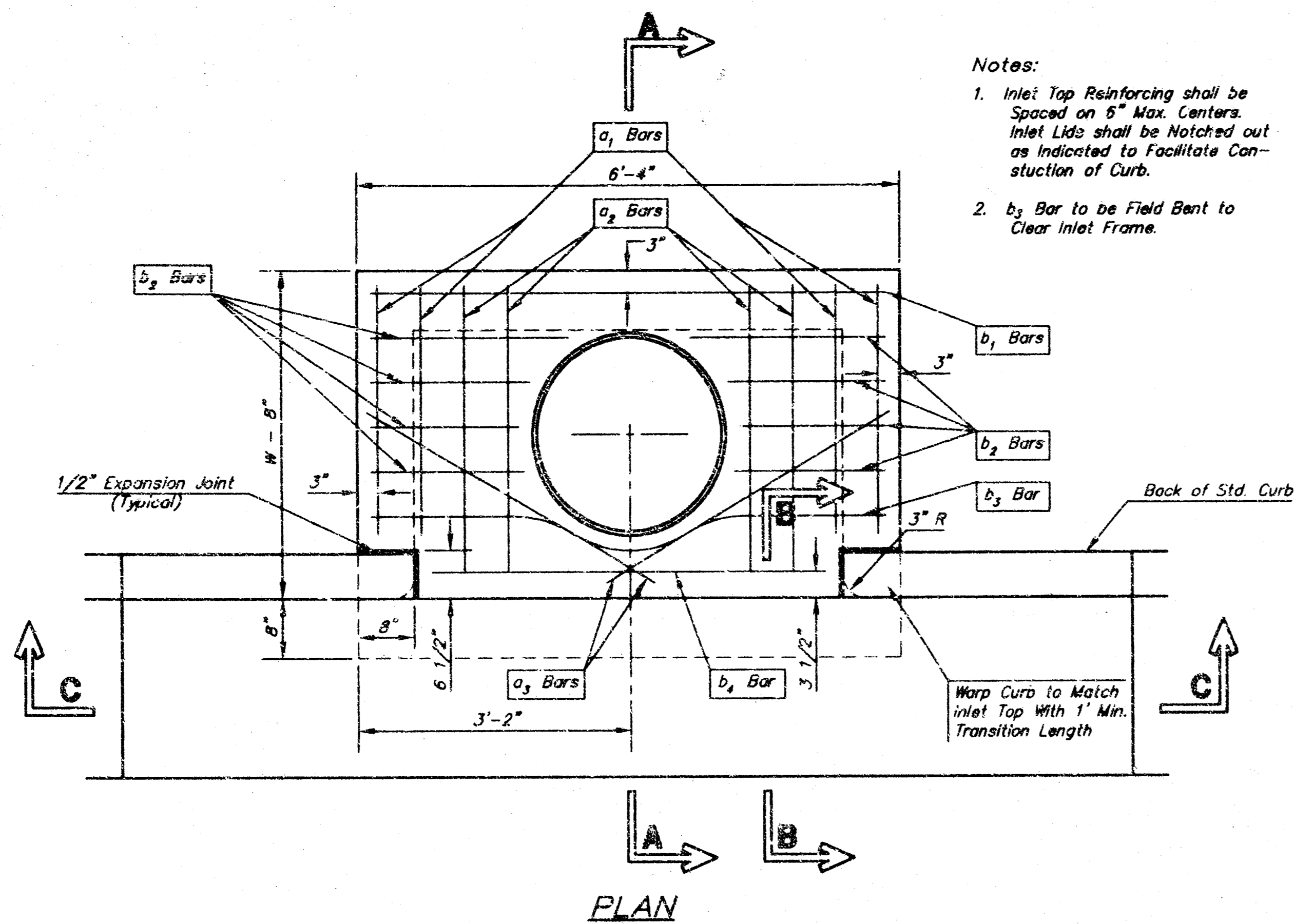
LEGAL DESCRIPTION

Lot 2, except the north 50 feet thereof (as measured at right angles to the north line), Block 1, Webb Road Addition Sedgwick County, Kansas



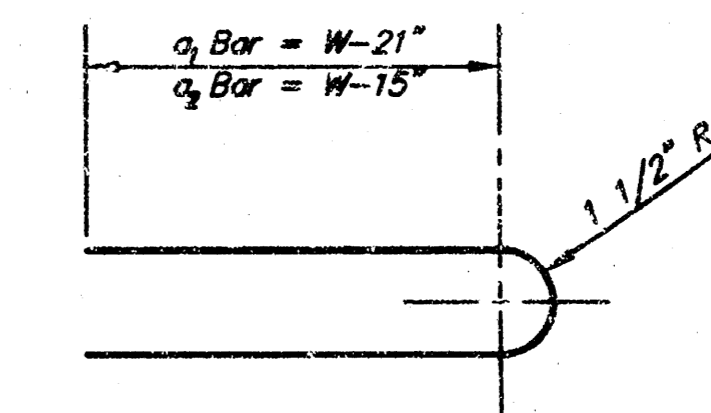
PROPOSED TACO SHOP
STORM SEWER PLAN
 LOT 2, BLK 1, WEBB ROAD ADDITION
 COW PRIV. PROJ. NO.: 623 PPS(607861)
CERTIFIED ENGINEERING DESIGN
 CED
 235 NORTH OHIO
 WICHITA, KANSAS 67214
 (913) 262-8808

| | | |
|---------------|------------------------|---------|
| DESIGNED: HDF | SCALE: 1" = 20' | SHEET |
| DRAWN: HDF | DATE: 4-96 | 2 |
| CHECKED: HDF | CED FILE: TACO-PP1.DWG | TOTAL 3 |



*See City of Wichita Standard Manhole Ring and Cover Detail Sheet for Cover Details to Be Used With Inlet Frame.

BENDING DIAGRAM



STEEL SCHEDULE

| BAR NUMBER | a ₁ | a ₂ | a ₃ | b ₁ | | | | | b ₂ | b ₃ | b ₄ | Wt. Lbs. |
|------------|----------------|----------------|----------------|----------------|------|------|------|------|----------------|----------------|----------------|----------|
| | | | | W-4" | W-5" | W-6" | W-7" | W-8" | | | | |
| 1 | 4" | 4" | 2" | 1" | 3" | 5" | 7" | 9" | 6" | 1" | 1" | 60± |
| 2 | 4" | 4" | 2" | 1" | 3" | 5" | 7" | 9" | 6" | 1" | 1" | 81± |
| 3 | 4" | 4" | 2" | 1" | 3" | 5" | 7" | 9" | 6" | 1" | 1" | 101± |
| 4 | 4" | 4" | 2" | 1" | 3" | 5" | 7" | 9" | 6" | 1" | 1" | 121± |
| 5 | 4" | 4" | 2" | 1" | 3" | 5" | 7" | 9" | 6" | 1" | 1" | 141± |

Note: a₃ Bars to be Placed Approx. 2" Below Top of Inlet Cover.

STANDARD CURB INLET PRECAST TOPS

| W | PRE-CAST TOP SIZE | PIPE SIZE | CU. YD. CONC. |
|-------|--------------------|---------------|---------------|
| 4'-4" | 3'-8" 6'-4" 7 1/2" | 21" & SMALLER | 0.38± |
| 5'-4" | 4'-8" 6'-4" 7 1/2" | 24" & 30" | 0.51± |
| 6'-4" | 5'-8" 6'-4" 7 1/2" | 36" & 42" | 0.64± |
| 7'-4" | 6'-8" 6'-4" 7 1/2" | 48" & 54" | 0.77± |
| 8'-4" | 7'-8" 6'-4" 7 1/2" | 60" & 66" | 0.90± |

GENERAL NOTES

- Concrete tops to be installed on this mortar cushion to insure full support along brick walls. Concrete tops may be cast in place or precast. Concrete used for inlet construction shall be concrete pavement mix.
- Contractor shall have the option of constructing 8" brick masonry walls between the concrete inlet base and top on this inlet when W=6'-4" and H=7'-0" or less.
- Inlet invert shall be shaped with 8 sack sand mix concrete to create flow channels and to increase hydraulic efficiency such that the inlet will be self cleaning between all inlet and/or outlet pipes.
- The ends of all pipes installed in inlets shall be cut off flush with the inside face of the inlet wall.

CITY OF WICHITA STANDARD TYPE I CURB INLET DETAILS
 INLET OPENING = 6" x 8'-0"
 COW PROJ. NO.: 623 PPS(607861)
CERTIFIED ENGINEERING DESIGN
 CED 295 NORTH OHIO
 WICHITA, KANSAS 67214
 (316) 262-8808
 DESIGNED: HDF SCALE: NONE SHEET 3
 DRAWN: HDF DATE: 4-96
 CHECKED: HDF CED FILE: TYPE1-S.DWG TOTAL 3