

PROPOSED RCBC EXTENSION & CHANNEL IMPROVEMENTS

~~(TO BE CONSTRUCTED IN TWO PHASES)~~

TO SERVE

Circuit City Addition

Private Project No. 636 PPS (607861)

Michael E. Lindeback, P.E., City Engineer

Benchmark:

☐ Cut in Top of Curb at Southeast Corner of Orme and Eastern.
Elevation = 143.21 City Datum

General Notes

- Underground utility service lines and overhead utility pole lines are to be adjusted as necessary by others prior to construction unless the plans specifically call for their adjustment by the Contractor or unless the plans specifically identify a utility to be adjusted by its owner during construction. Existing utilities and their location, as shown on the plans, represent the best information obtainable for design. The Contractor will be required to work around existing utilities within the right-of-way which do not conflict with proposed construction.
- The Contractor shall give all property owners and/or tenants of developed property abutting the construction of this project a minimum of five (5) days advance notice prior to start of construction.
- The Contractor shall be responsible for preserving property irons. The Contractor will be required to re-establish any property irons which are damaged or destroyed by his construction operations. Such irons shall be re-established by a licensed land surveyor in accordance with state laws.
- Contractor will be required to provide notice to utility companies a minimum of twenty-four (24) hours prior to any excavation, as follows:

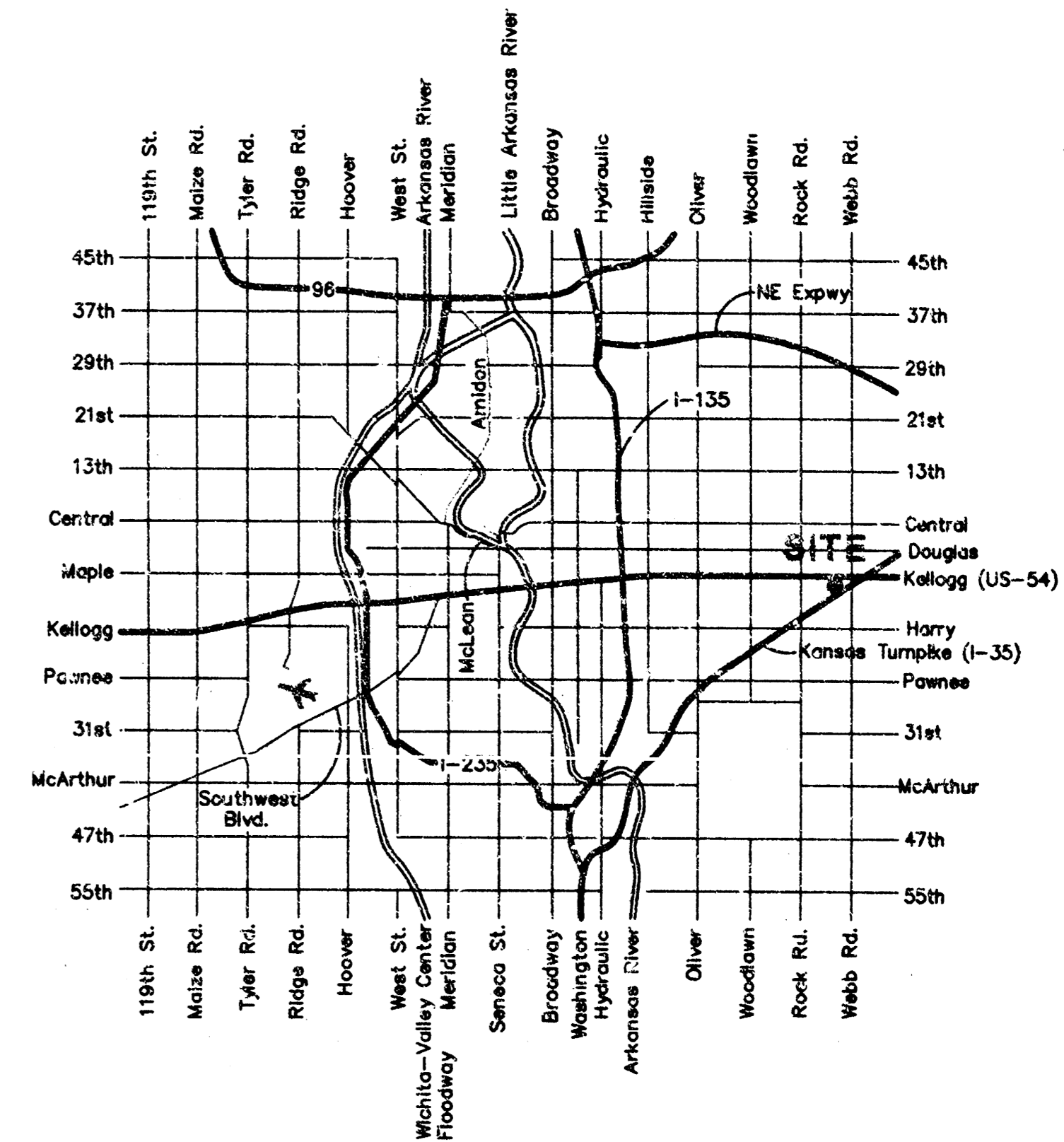
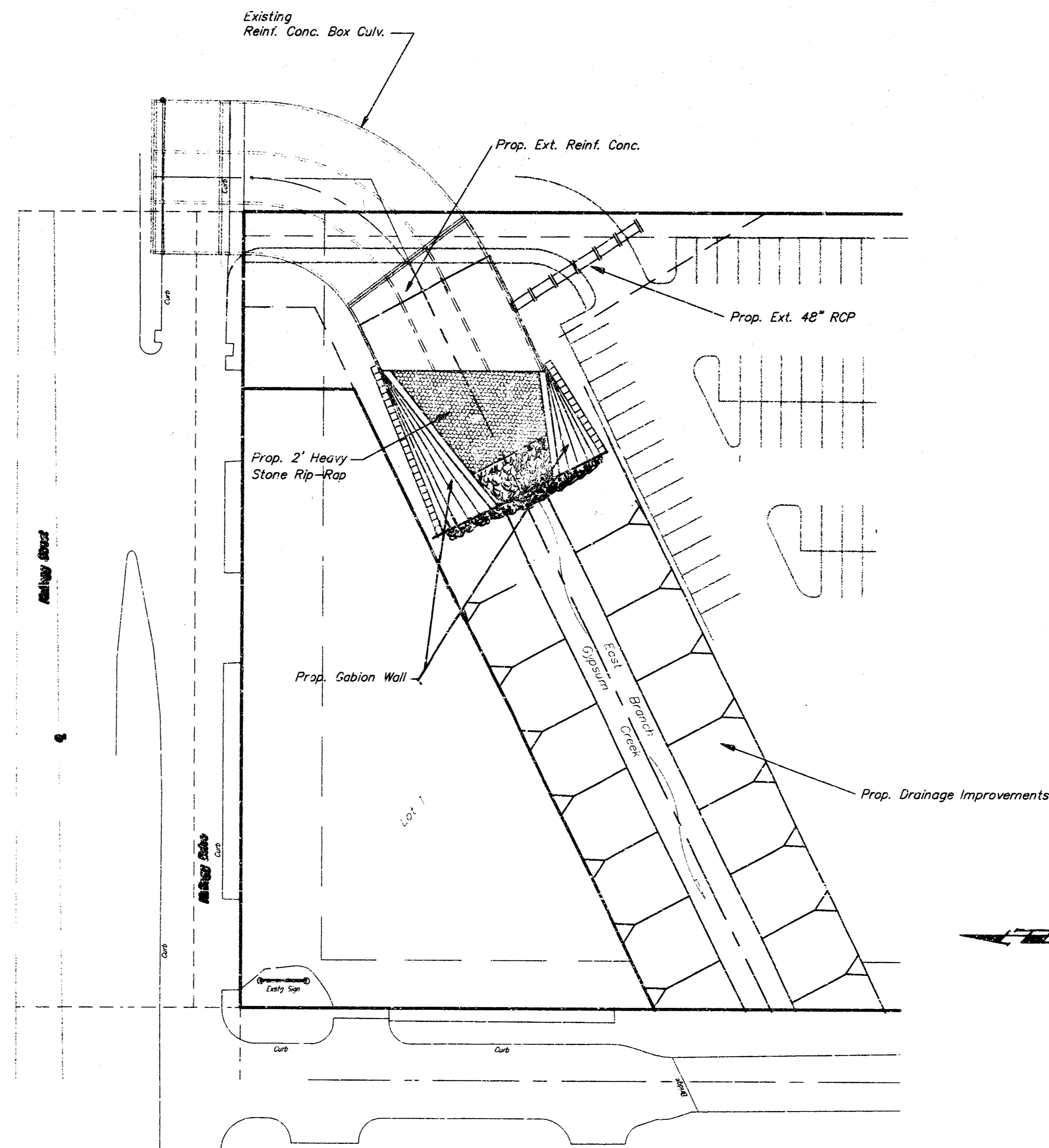
Kansas One-Call	687-2470
-----------------	----------

The Contractor must notify the following in case of an emergency:

K.P.L. Gas Service Company	383-8650
Kansas Gas & Electric Company	383-8600
Cablevision	262-4270
	265-2061
Southwestern Bell Telephone Company	1-571-2811
City of Wichita Water Dept.	268-4908
City of Wichita Sewer Maintenance	268-4071
- Existing utilities and their locations, as shown on the plans, represent the best information obtainable for design. Location information has been obtained from the various utility companies and is either from company record drawings or company-provided field locations. The Contractor will be required to work around existing utilities which do not conflict with proposed construction. The Contractor shall verify all utility locations prior to construction of this project.
- Contractor shall verify depth & location of existing utilities prior to construction.
- The Contractor shall be responsible for maintaining continuous flow of stream through construction.
- Contractor shall use "MACCAFERRI" Gabions.

MACCAFERRI GABIONS, INC.	
1623 Jerico Blvd., Suite 213	
Arnold, Missouri 63010	
(314) 296-7032	
Fax (314) 296-6174	

Local Rep.: Craig Seiler
722-9672
- Channel lining as designated on the plans shall be North American Green "C125" with a staple pattern "D". Contact Mr. Harold Blade with ASP Enterprises @ 314/343-4723.



Location Map

Index of Sheets:

Title Sheet	1
RCBC Layout	2
RCBC Extension Details	3
Handrail Details	4
RCBC Plan (Phase I)	5
Plan/Profile - SWS Line (Phase I)	6
Drainage Improvements (Phase II)	7
Cross Sections (Phase I)	8
Cross Sections (Phase II)	9

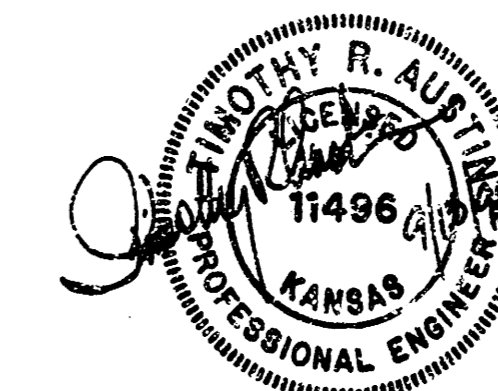
APPROVED AS NOTED
BY CITY ENGINEER OF WICHITA

Storm Sewer Line Path 913-26

NOTE TO CONTRACTORS

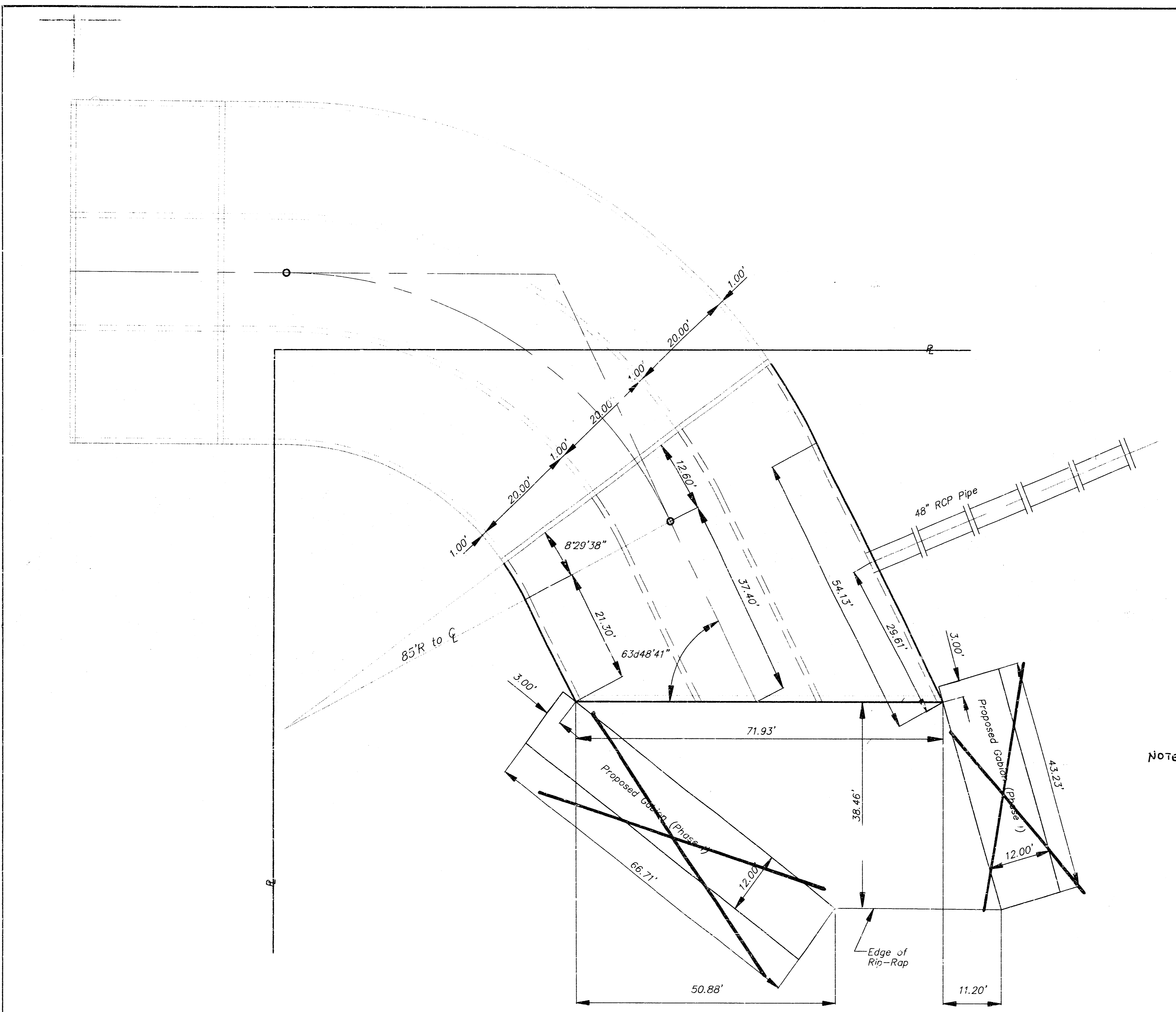
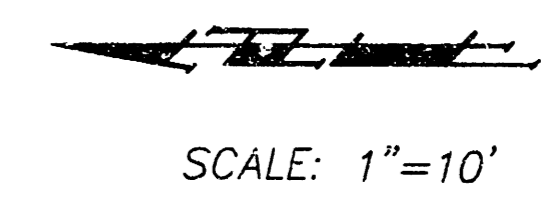
Inspection and testing for this project is to be provided by a Licensed Consulting Engineering Firm under contract with the Owner/Developer. Said inspection to be in accordance with the City of Wichita standard construction engineering practices and certified by a Licensed Professional Engineer. No work shall be performed in dedicated easements or public right-of-way by the Contractor without such inspection nor shall any work be commenced without written authorization by the City Engineer. All Construction and Materials shall comply with the City of Wichita Specifications and Standards (on file and available in the City Engineer's Office).

INSPECTORS: LYLE POWERS
CHRIS EDWARDS } BAUGHMAN COMPANY
JEFF BRADLEY }
ASBUILT 3/24/97 JFB BAUGHMAN COMPANY.



BAUGHMAN COMPANY P.A.
ENGINEERING, SURVEYING, & PLANNING
316-262-7271 • 315 ELLIS • WICHITA, KANSAS 67211

BOOKED
5-14-97
MEL
D-339



GENERAL NOTES:

1. All construction is to be in accordance with the latest edition of the Standard Specifications for Road and Bridge Construction as published by the Kansas Department of Transportation.
2. Contractor shall take precautionary measures to protect adjacent buildings and properties from construction operations.
3. Contractor is to verify the existing box conditions prior to construction of the extension.

QUANTITIES:

The quantities shown are approximate and for information only.

Phase I:

Excavation	2088 C.Y.
Compacted Fill	850 C.Y.
Class A(AE) Concrete	350 C.Y.
Reinforcing Steel (Gr. 60)	44.93 TON
Gabions	330 C.Y.
Heavy Stone RipRap (1/4 ton)	250 SY
Handrail	96 L.F.

Phase II:

Excavation	2047 C.Y.
Compacted Fill	350 C.Y.
Gabions	701 C.Y.
Channel Lining	1860 S.Y.

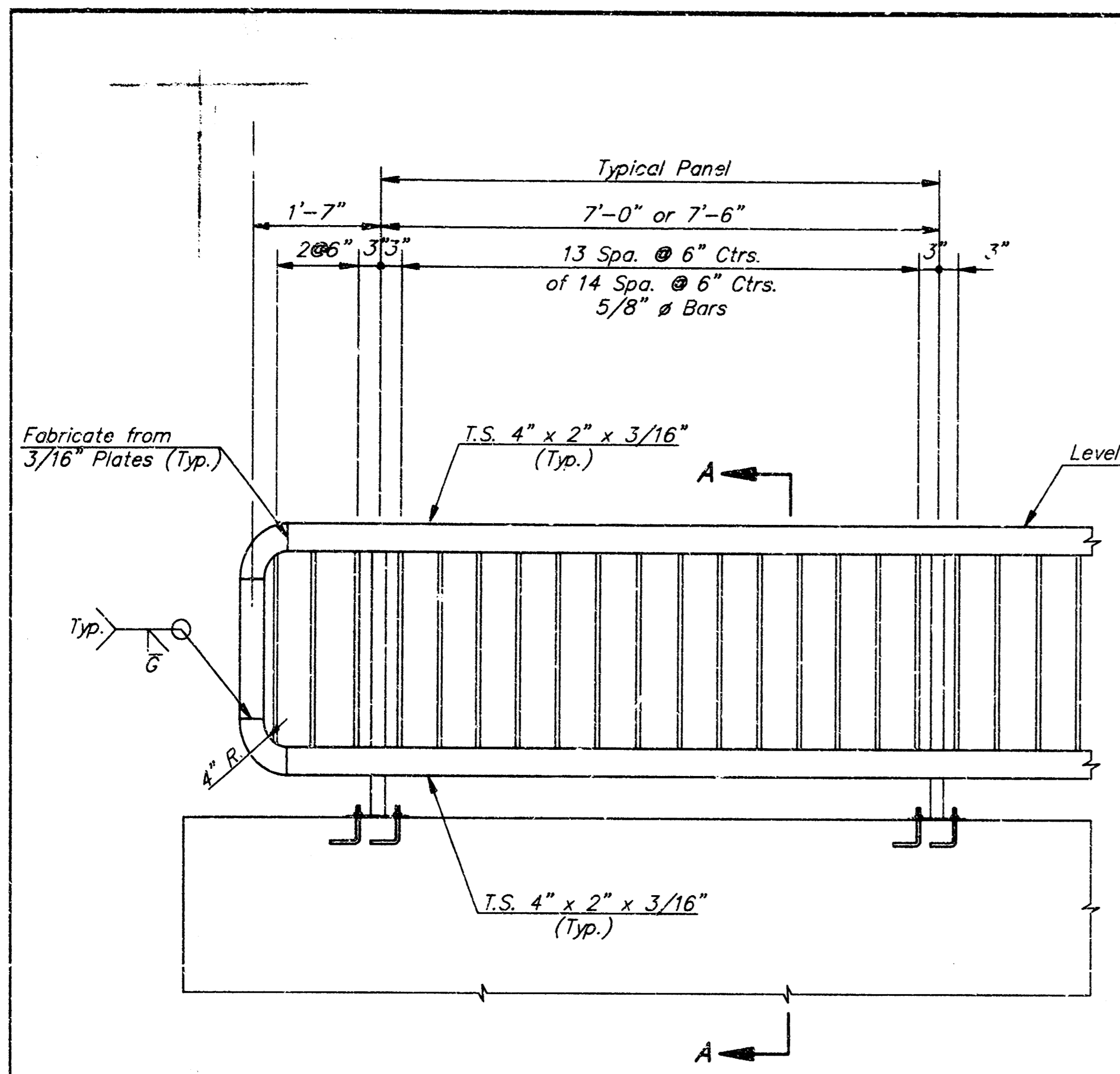
DESIGN LOADING:

HS20-44

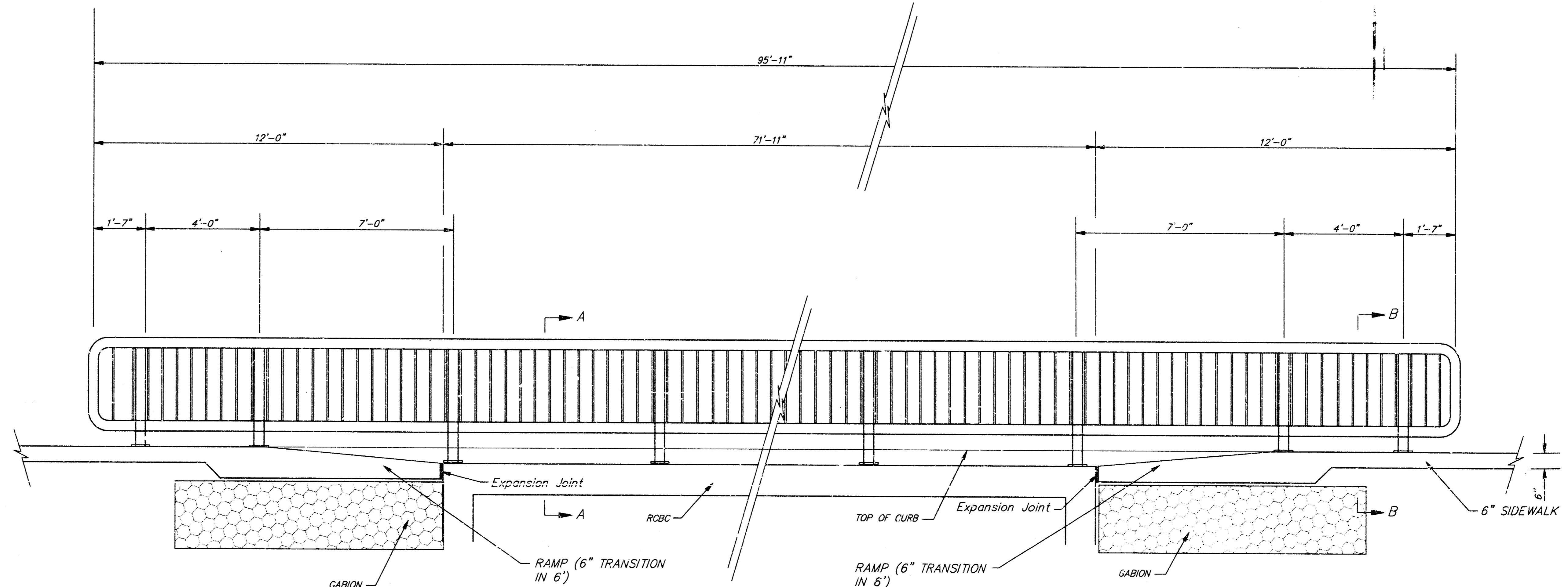
NOTE: PHASE 1 CONSTRUCTION DELETED
PHASE 2 CONSTRUCTION MODIFIED
SEE SHEET 7/9

ASBUILT: 3/24/97 JFB
BAUGHMAN CO.

CIRCUIT CITY ADDITION			
RCBC LAYOUT			
WICHITA, KANSAS			
BAUGHMAN COMPANY P. A.			
ENGINEERING, SURVEYING, & PLANNING			
316-262-2271 • 315 S. WALSH • WICHITA, KANSAS 67211			
PROJECT NUMBER			
636 FPS (807881)			
DESIGN	DRAWN	APPROVED	DATE
JJ	TA	T.A.	4/29/96
SCALE			SHEET
1"=10'			2
			OF 9

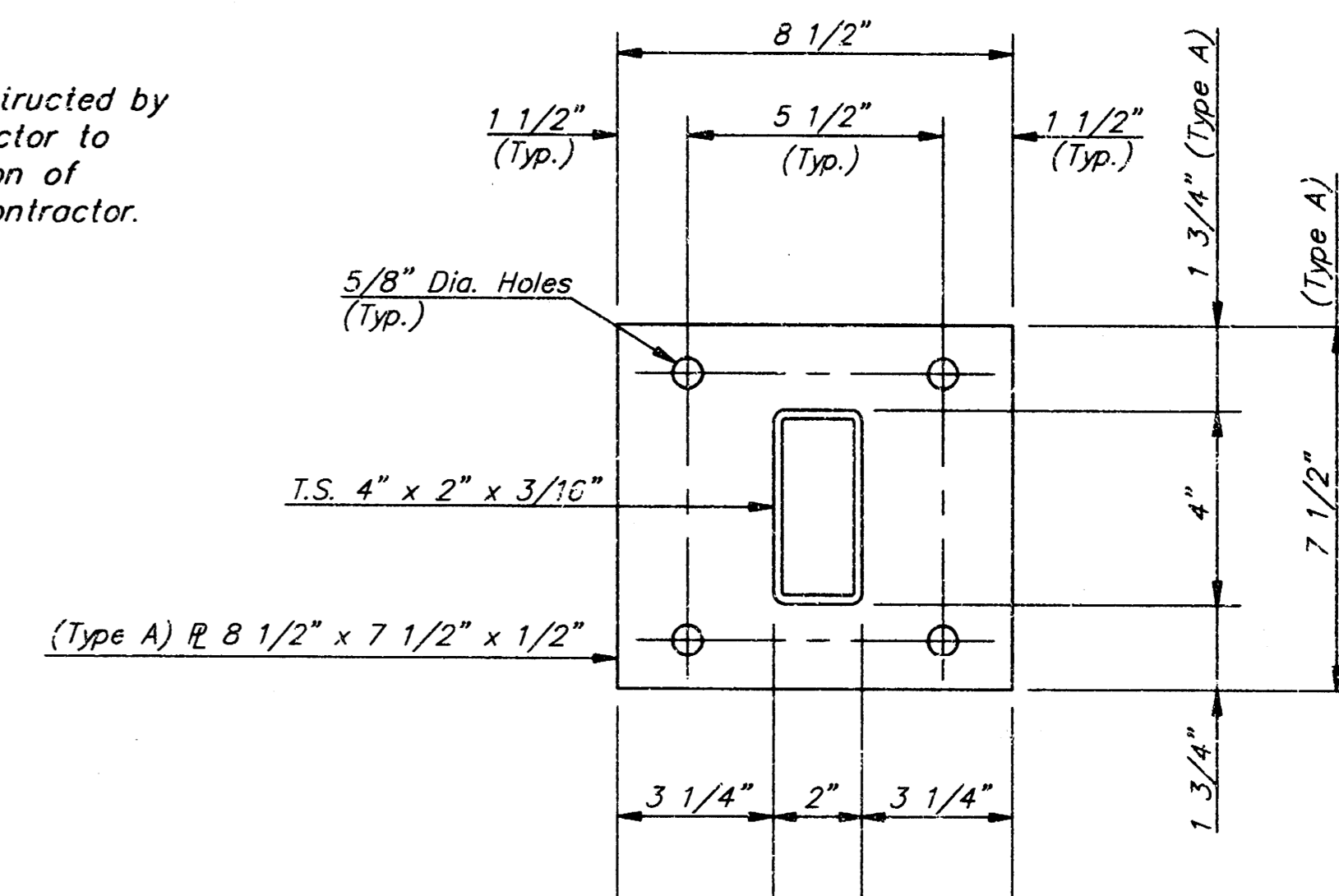


HANDRAIL ELEVATION

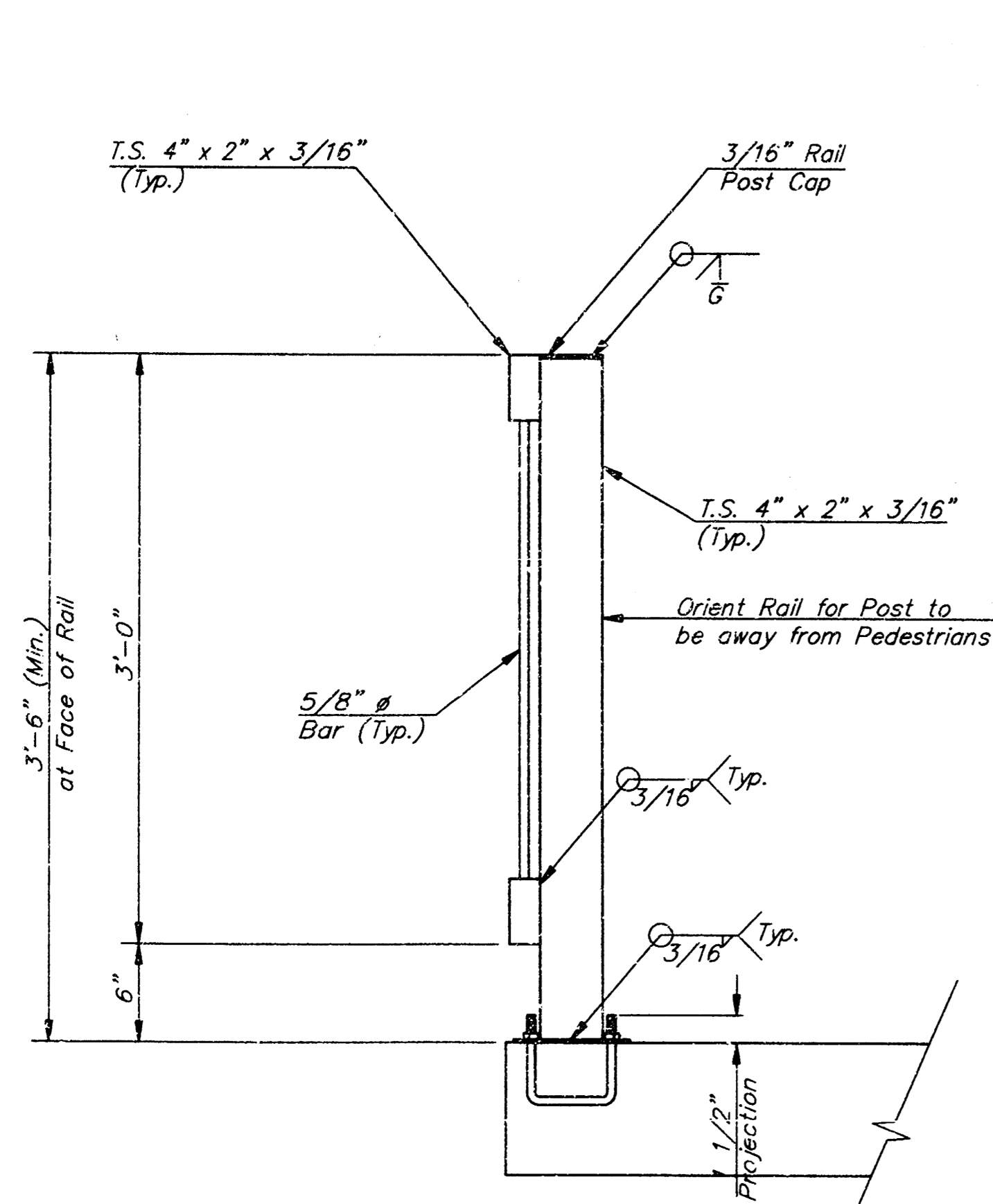


HANDRAIL ELEVATION

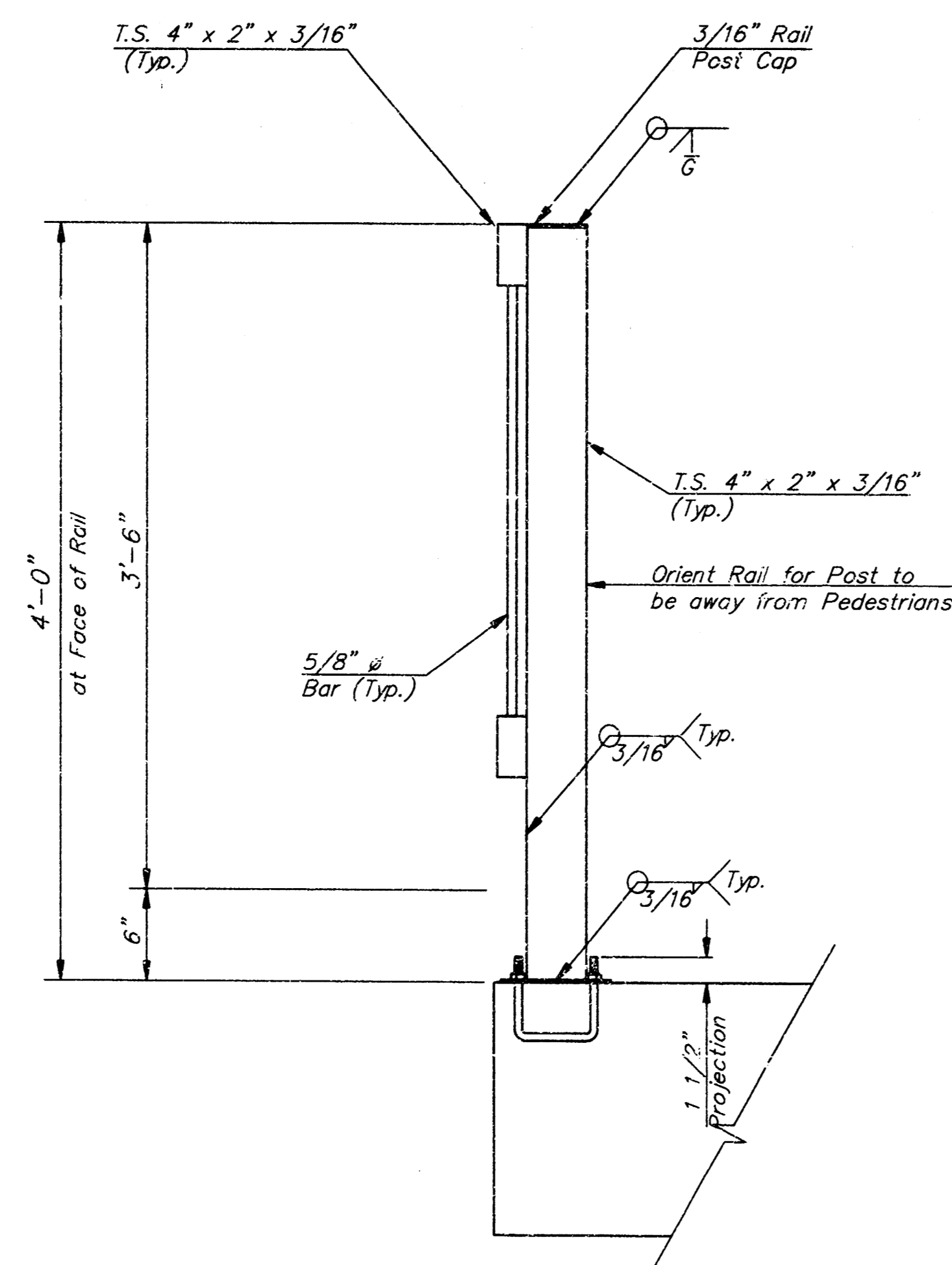
NOTE:
Sidewalk to be constructed by others. Box contractor to coordinate installation of handrail with site contractor.



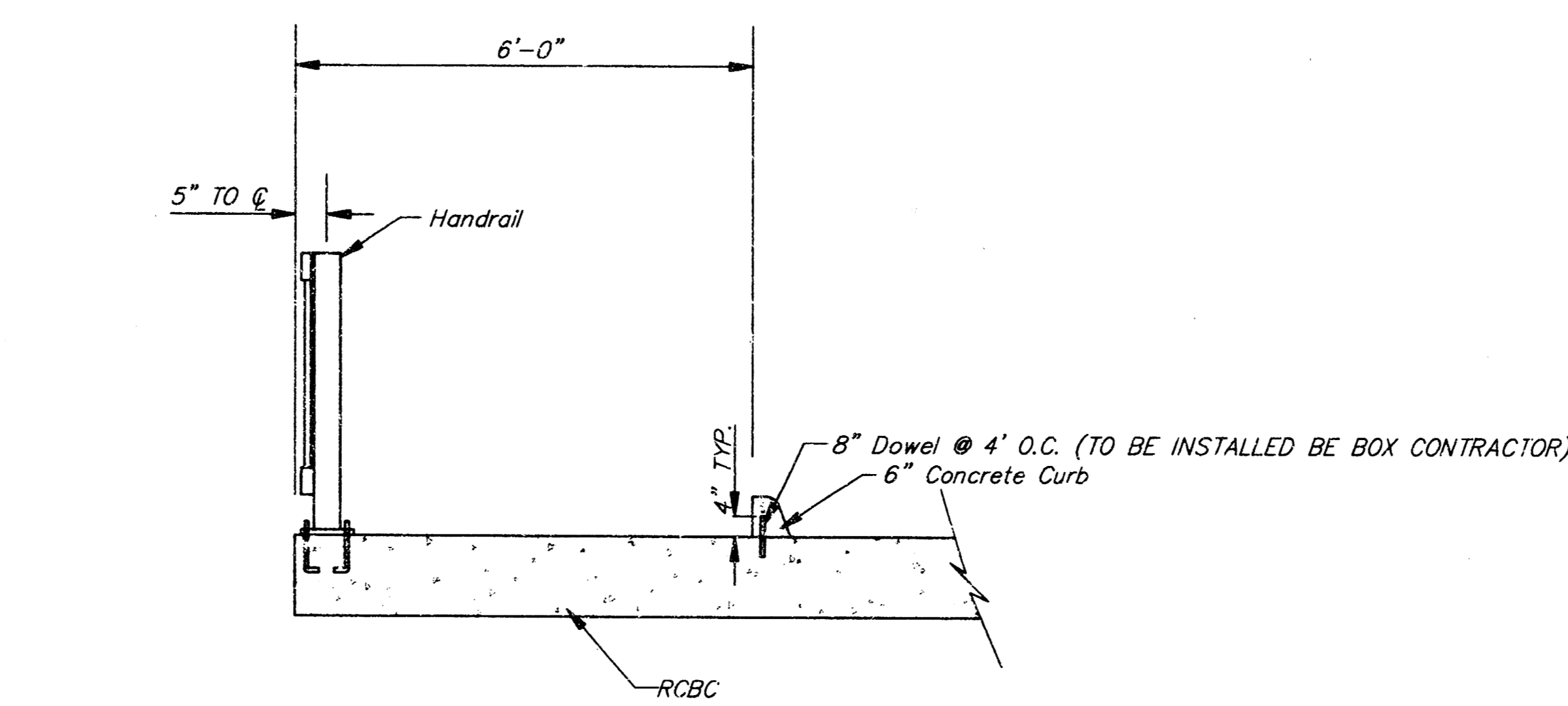
BASE PLATE



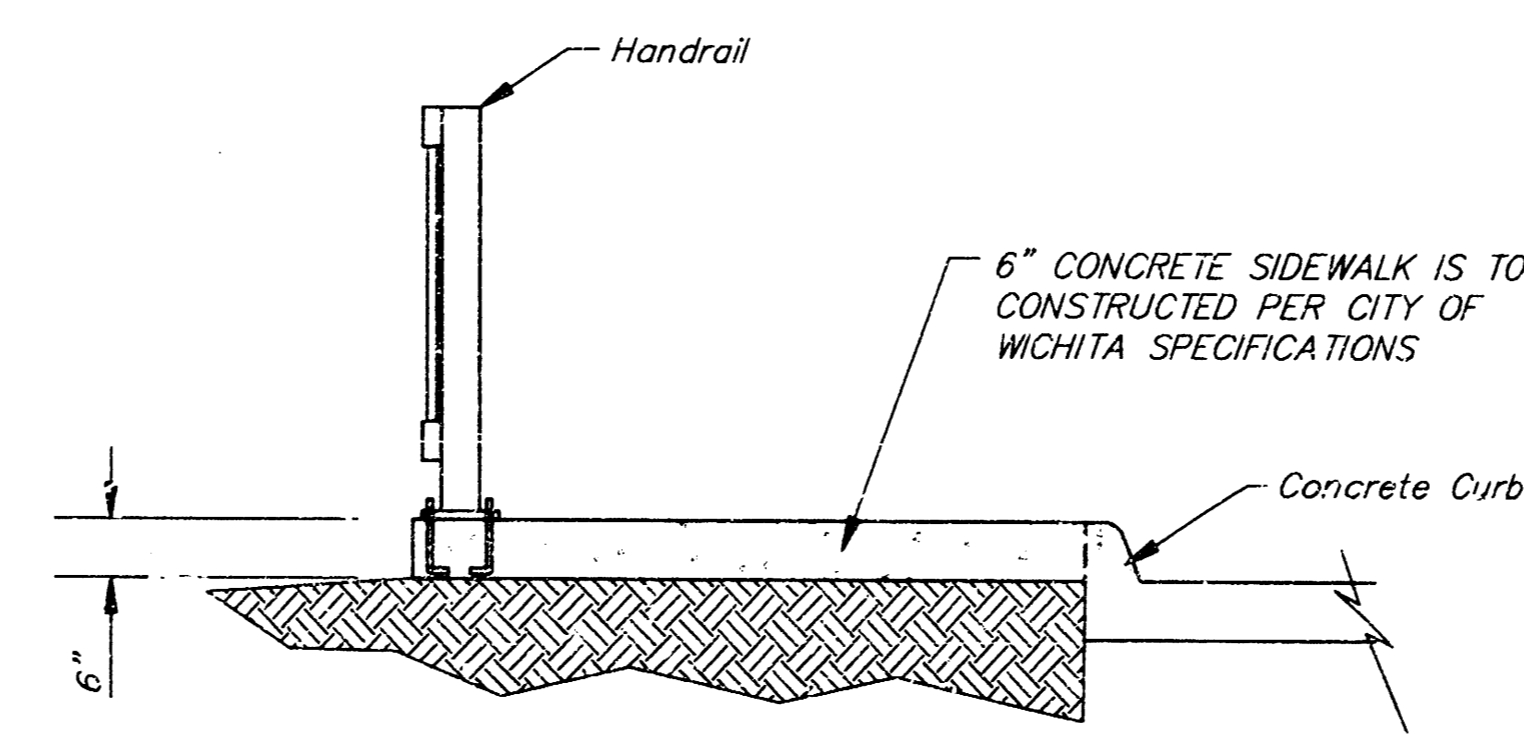
HANDRAIL DETAIL OVER SIDEWALK



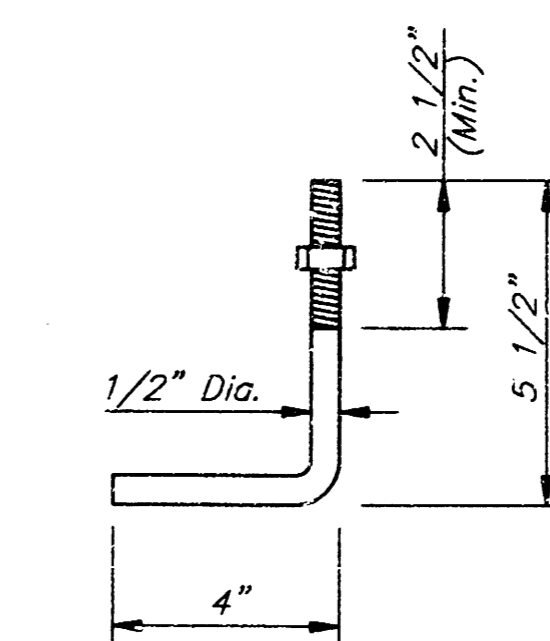
HANDRAIL DETAIL OVER RCBC



SECTION A-A



SECTION B-B



Galvanized (ATSM A153)
(May Substitute expandable anchor bolts when approved by the Engineer)

ANCHOR BOLT

Orient to provide min. 2\"/>

GENERAL NOTES

The horizontal members of the rail and posts shall be hollow structural tubing. All structural steel and tubing shall comply to A.S.T.M. Designation A36 or A500 Grade B respectively.

Rail shall be fabricated in lengths as shown.

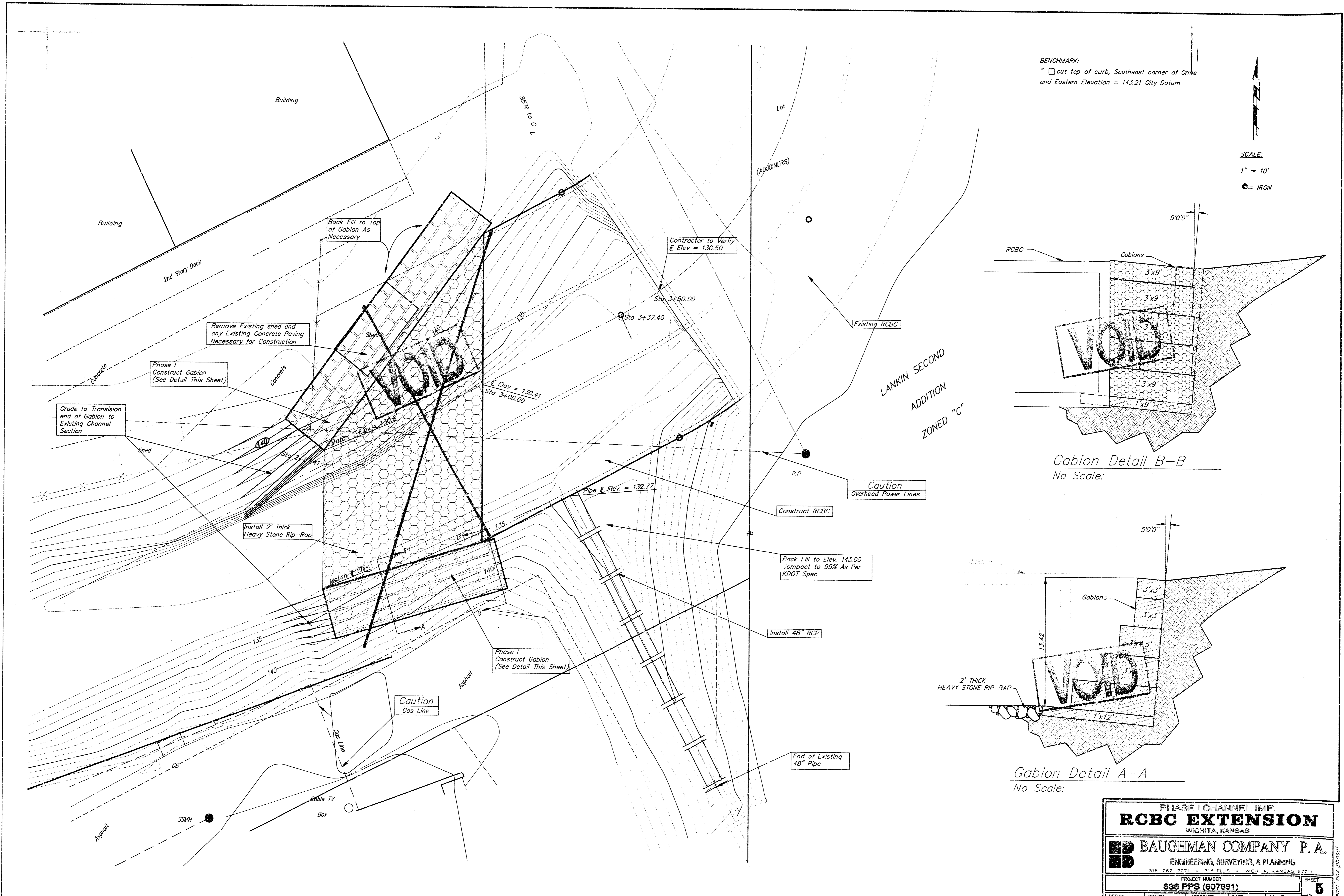
Posts and bars shall be set vertical and shimmed if required.

The handrail shall be painted shop and field with an inorganic zinc-vinyl paint system complying with the Standard Specifications for State Road and Bridge Construction, 1990 Edition Kansas Department of Transportation.

Material and construction shall conform to the Structural Welding Code A.W.S. D1.1-88.

Shop details must be submitted and approved by the Engineer.

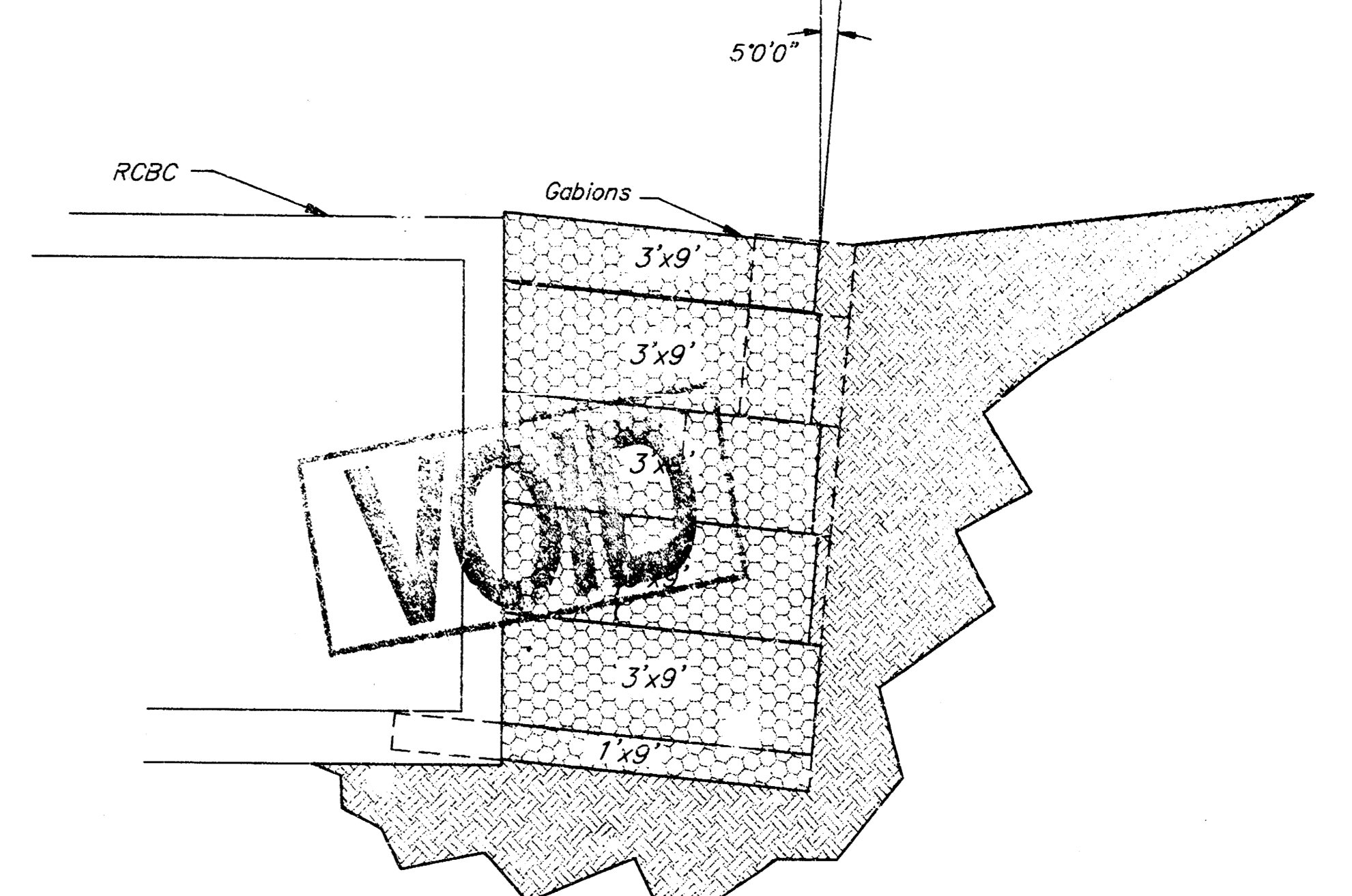
CIRCUIT CITY HANDRAIL DETAIL				
BAUGHMAN COMPANY P. A.				
ENGINEERING, SURVEYING, & PLANNING				
316-262-7271 • 315 ELLIS • WICHITA, KANSAS 67211				
PROJECT NUMBER				SHEET
DESIGN T.A.				4
DRAWN STAFF				OF
APPROVED T.A.				9
DATE 8/16/96				SCALE NONE



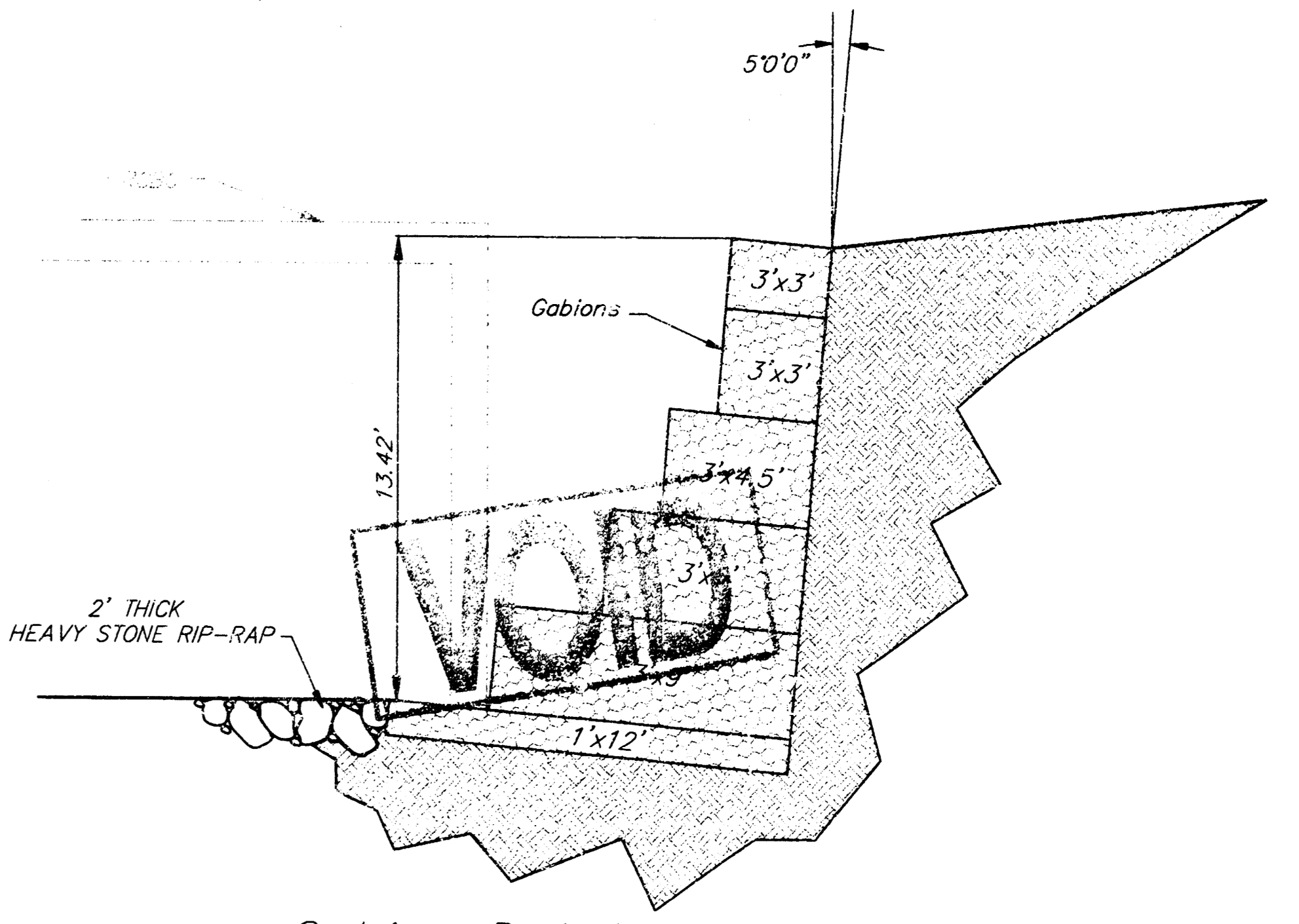
BENCHMARK:
 " □ cut top of curb, Southeast corner of Orme
 and Eastern Elevation = 143.21 City Datum



SCALE:
 1" = 10'
 ● = IRON



Gabion Detail B-B
 No Scale:

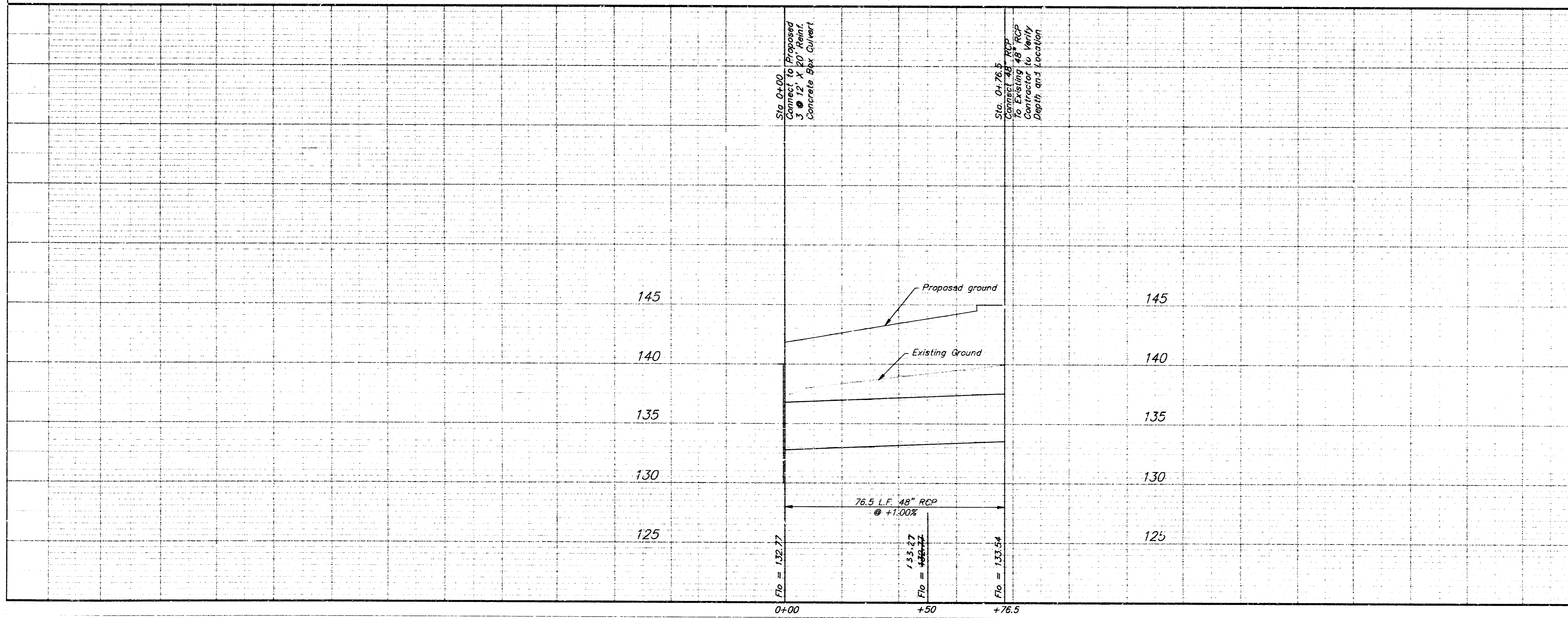
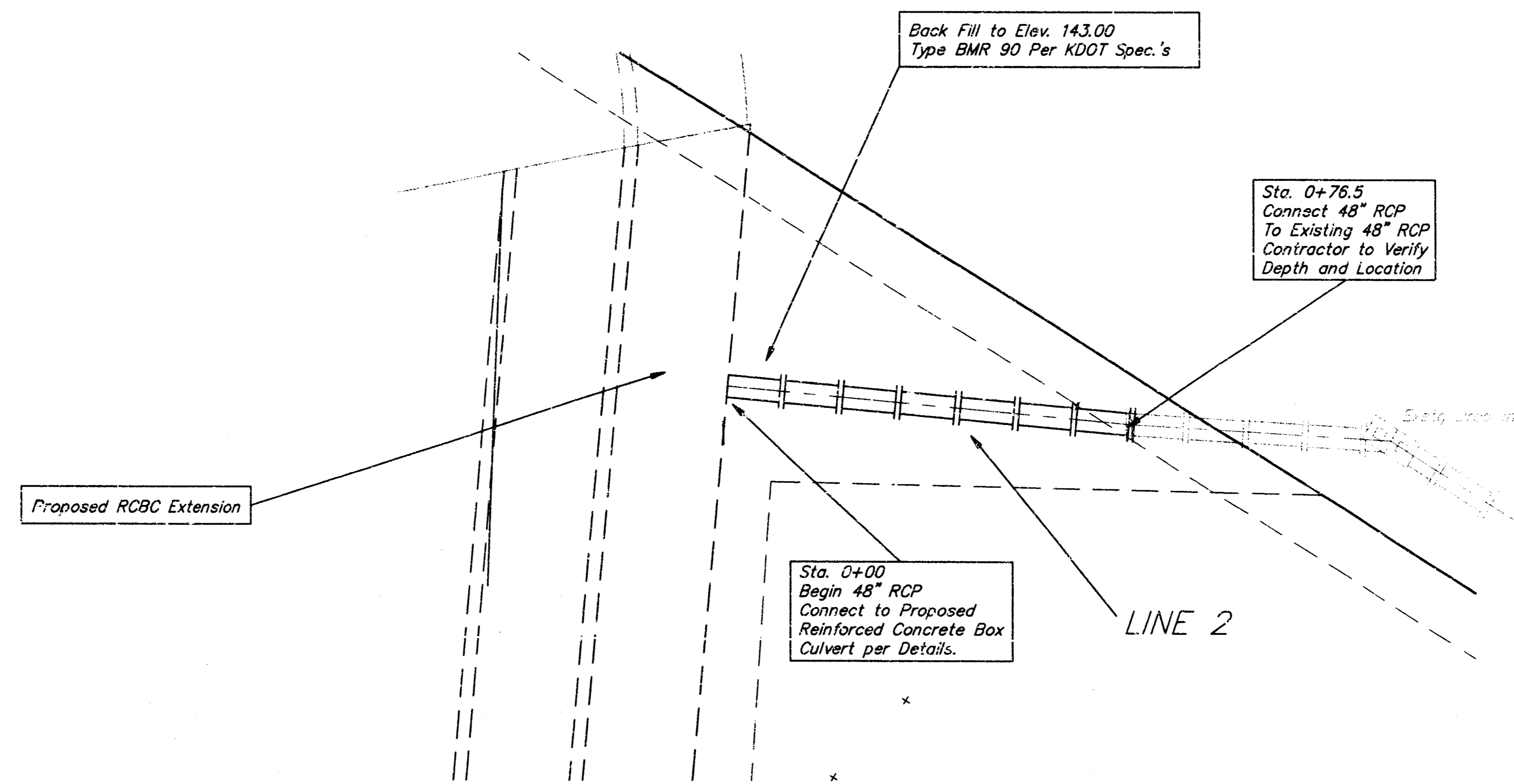


Gabion Detail A-A
 No Scale:

PHASE I CHANNEL IMP.				
RCBC EXTENSION				
WICHITA, KANSAS				
BAUGHMAN COMPANY P. A.				
ENGINEERING, SURVEYING, & PLANNING				
318-262-7271 • 315 ELLIS • WICHITA, KANSAS 67211				
PROJECT NUMBER 836 PPS (607861)				SHEET 5
DESIGN T.A.	DRAWN R.W.M.	APPROVED T.A.	DATE 8-13-96	SCALE noted
				OF 9

BENCHMARK:
 □ cut top of curb, Southeast corner of Orme
 and Eastern Elevations = 143.21 City Datum

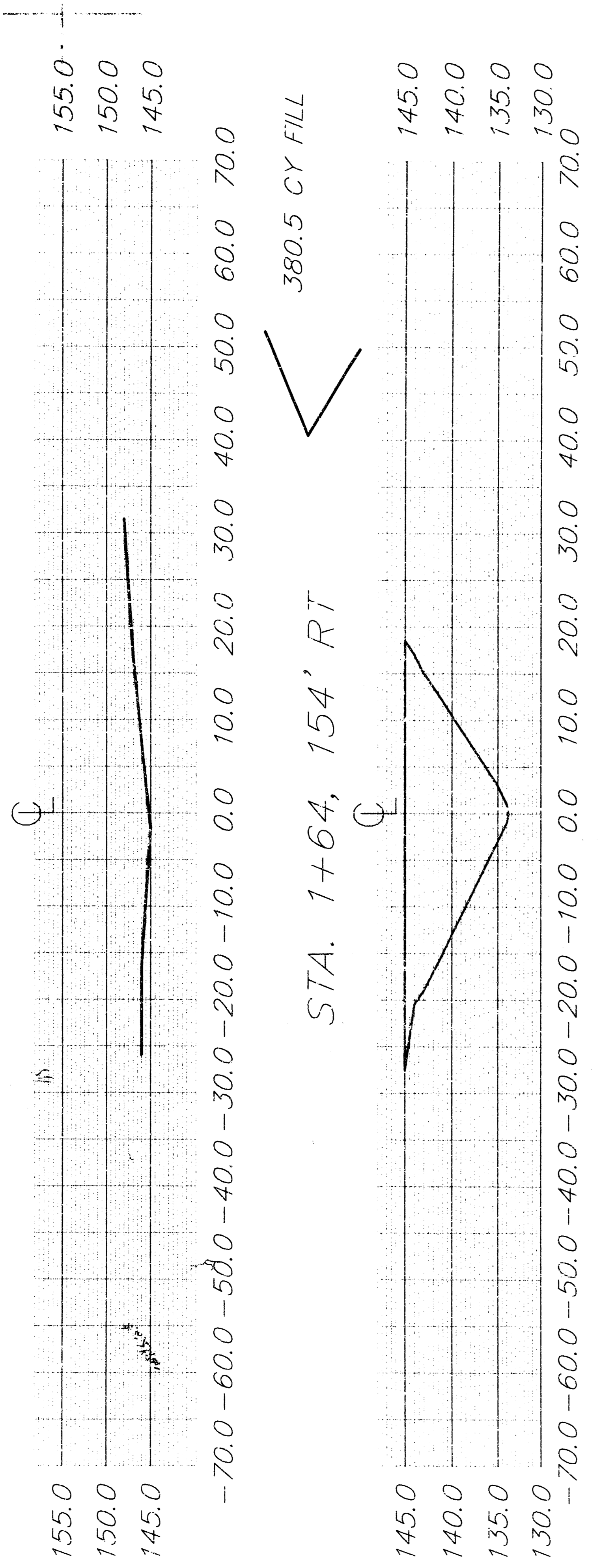
Scale:
 1" = 20' Horizontal
 1" = 5' Vertical



CIRCUIT CITY ADDITION
STORM WATER IMPR.
 LINE 2

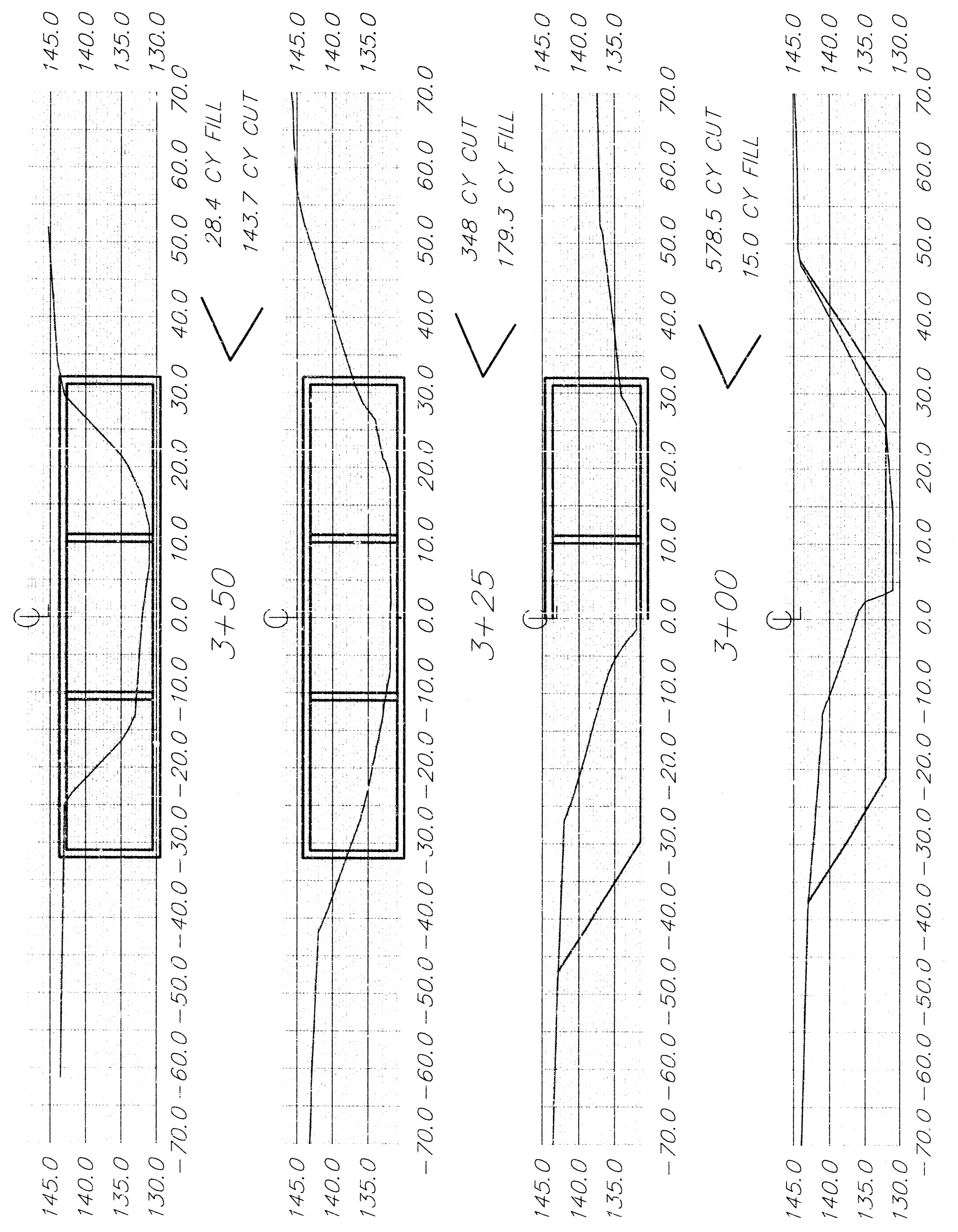
BAUGHMAN COMPANY P. A.
 ENGINEERING, SURVEYING, & PLANNING
318-262-7271 • 318 ELLIS • WICHITA, KANSAS 67211

PROJECT NUMBER 636 PPS (607661)		SHEET 6	
DESIGN TA/BG	DRAWN BG	APPROVED T.A.	DATE 8-13-96
		SCALE NOTED	OF 9



STA. 1+64, 154' RT

STA 1+64, 69' RT



3+50

3+25

3+00

1+75

Sheet Totals
Exc. = 2088 C. Y.
Fill = 468 C. Y.

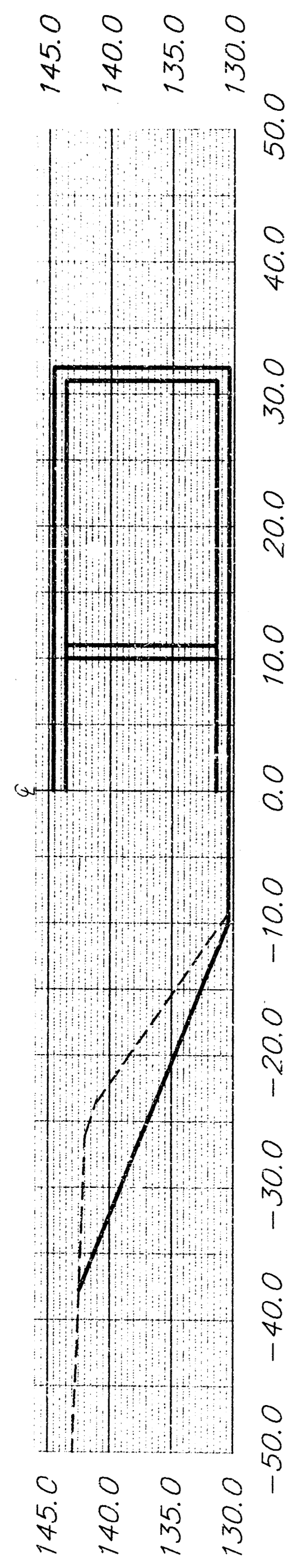
CHANNEL CROSS SECTIONS FOR
Circuit City East
Phase I

BAUGHMAN COMPANY P.A.
ENGINEERING, SURVEYING, & PLANNING
315 E. 20th St. • Wichita, Kansas 67211

PROJECT NUMBER
638 PPS (607861)

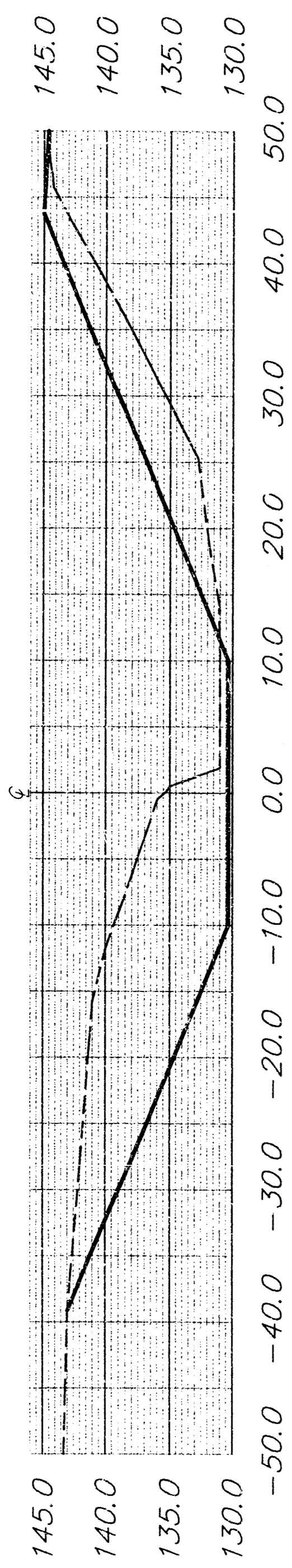
DESIGN T.A.	DRAWN STAFF	APPROVED T.A.	DATE 5/24/96	SCALE NOTED	SHEET 8 OF 9
----------------	----------------	------------------	-----------------	----------------	-----------------

OS: 247104950000



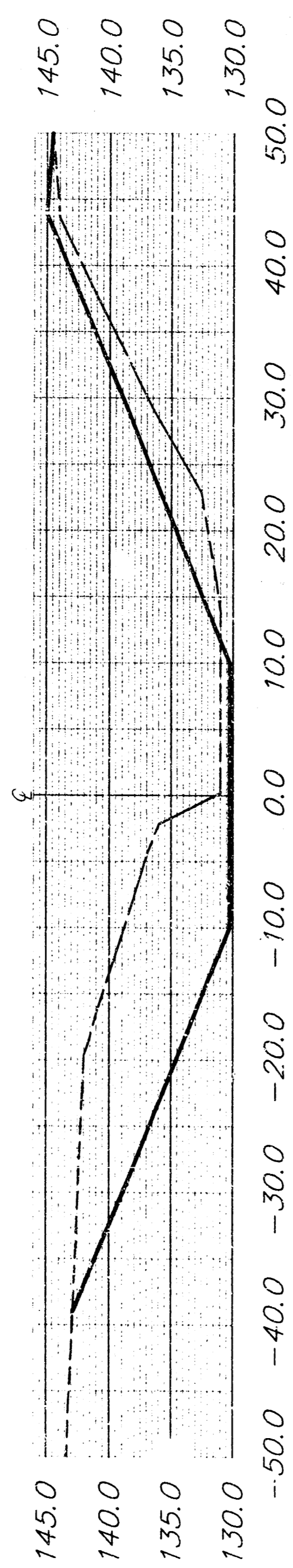
3+00

50.00' ∇
CUT CY= 282.0
FILL CY= 84.3



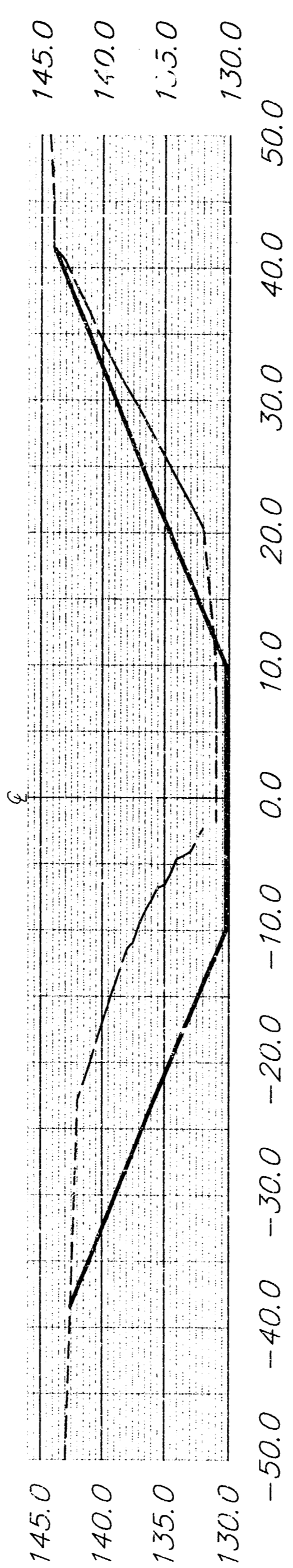
2+50

31.00' ∇
CUT CY= 260.1
FILL CY= 87.8



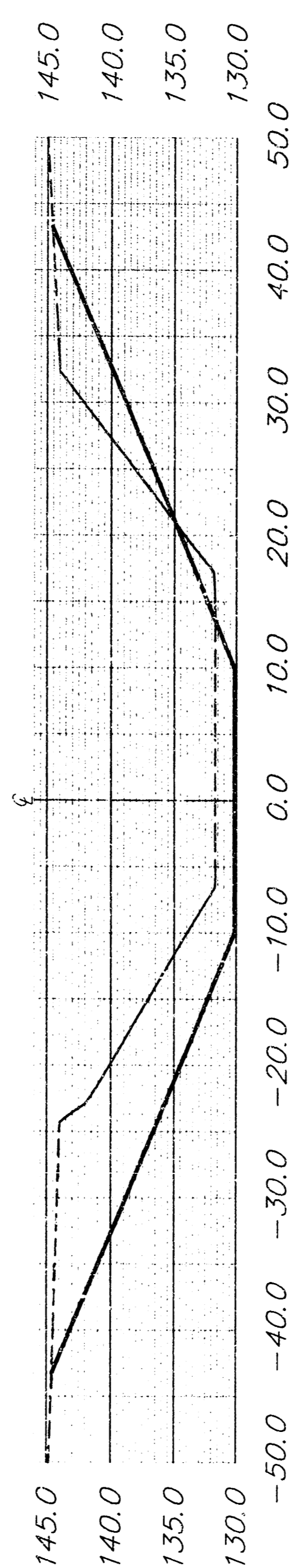
2+19

19.00' ∇
CUT CY= 142.1
FILL CY= 35.9



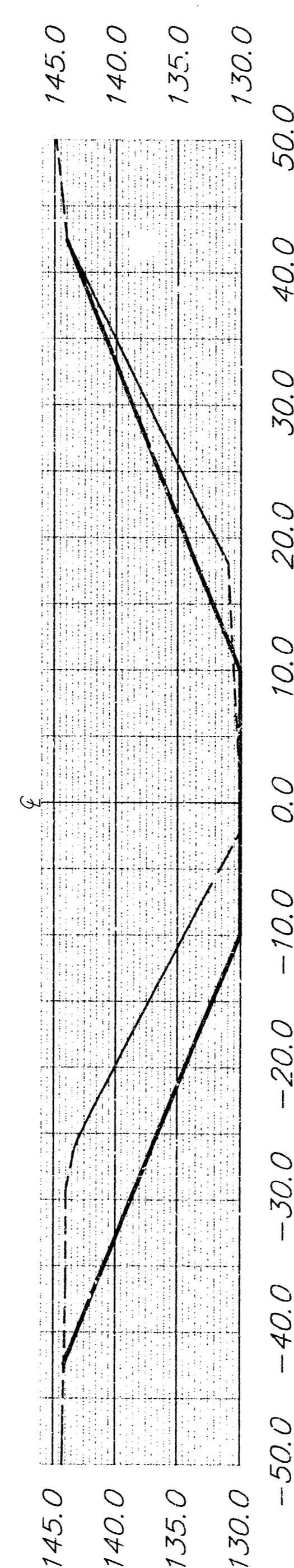
2+00

50.00' ∇
CUT CY= 380.9
FILL CY= 41.7



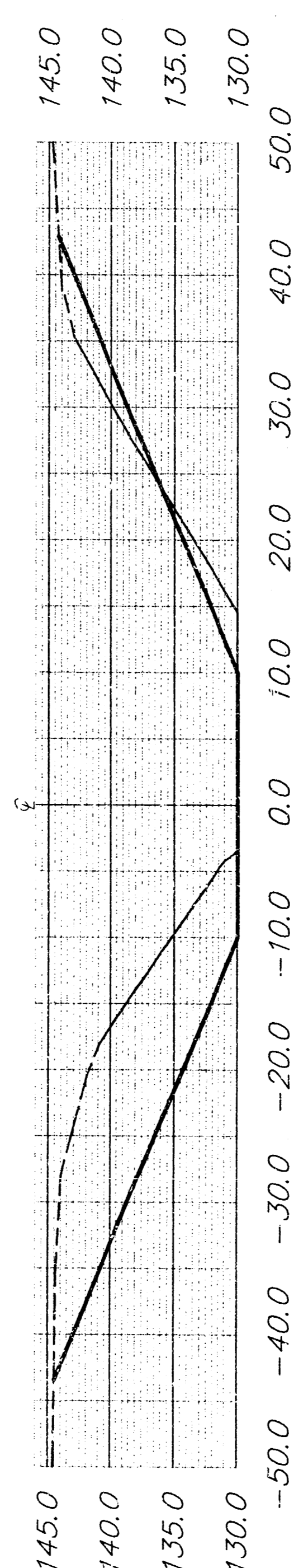
1+50

50.00' ∇
CUT CY= 361.7
FILL CY= 40.3



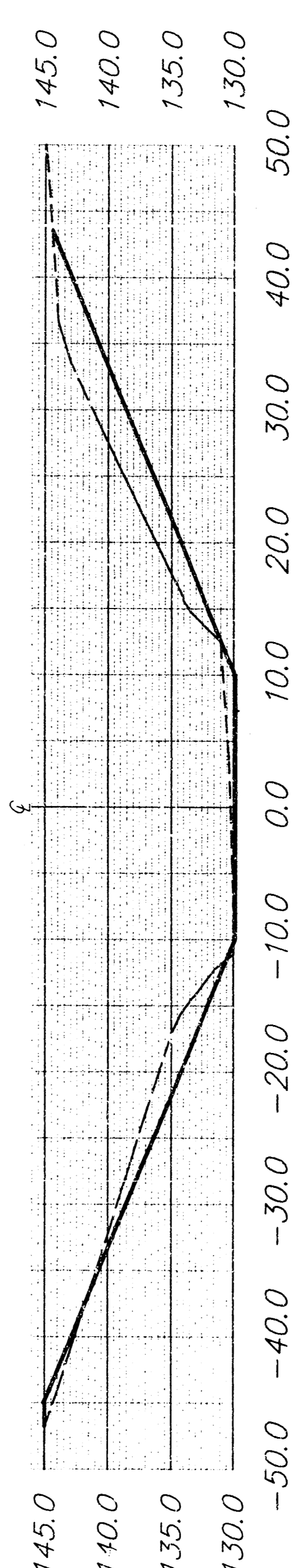
1+00

50.00' ∇
CUT CY= 341.6
FILL CY= 47.6



0+50

50.00' ∇
CUT CY= 278.6
FILL CY= 12.3



0+00

SHEET TOTALS
CUT CY = 2047.0
FILL CY = 349.9

CHANNEL CROSS SECTIONS FOR
Circuit City East
PHASE II

BAUGHMAN COMPANY P. A.
ENGINEERING, SURVEYING, & PLANNING
316-262, 2221 • 312 ELLIS • WICHITA, KANSAS 67213

PROJECT NUMBER
838 PPS (607861)

DESIGN T.A.	DRAWN P.W.M.	APPROVED T.A.	DATE 5/24/96	SCALE NONE	SHEET 9
----------------	-----------------	------------------	-----------------	---------------	------------

OF EAST BOX PHAS2020S

2047.0