

**PRIVATE STORM SEWER TO SERVE
Part of Lot 1, Tyler Acres 5th Addition**

Private Project Number:
652 PPS (607861)

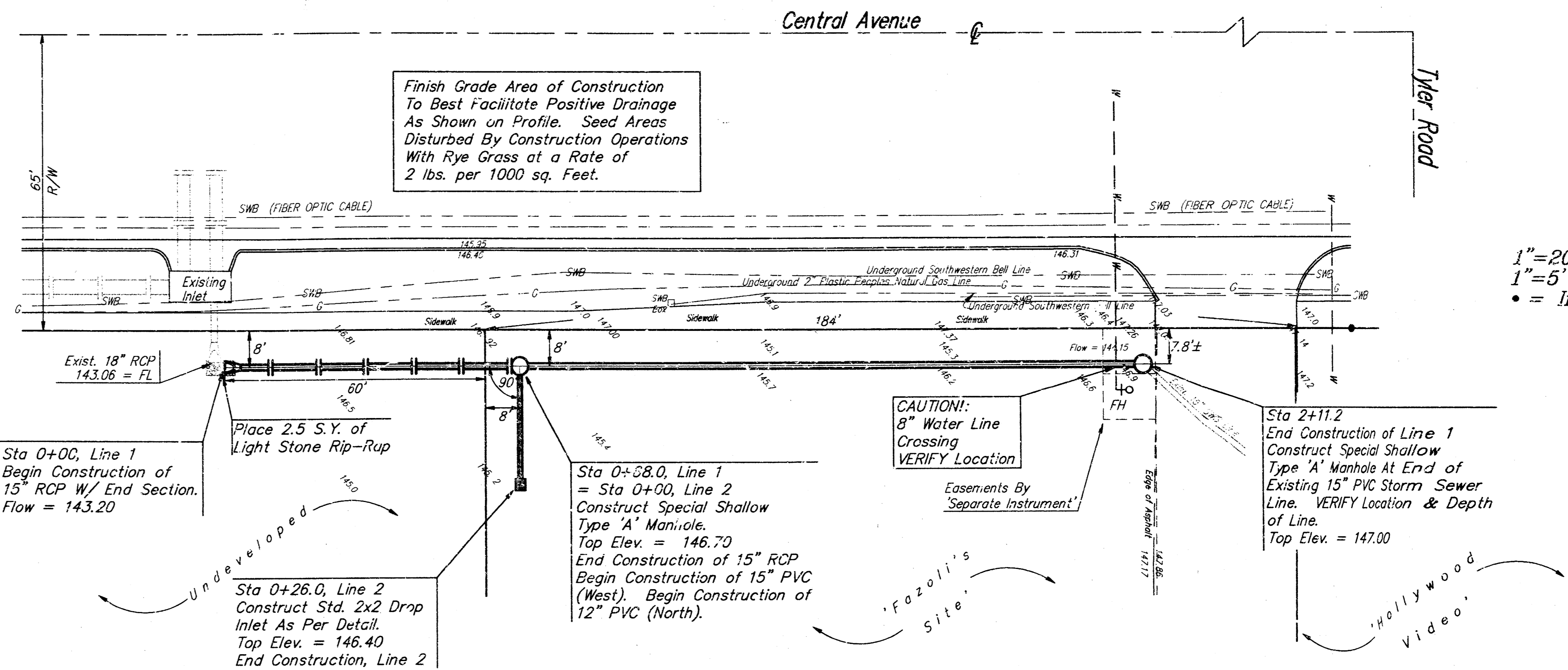
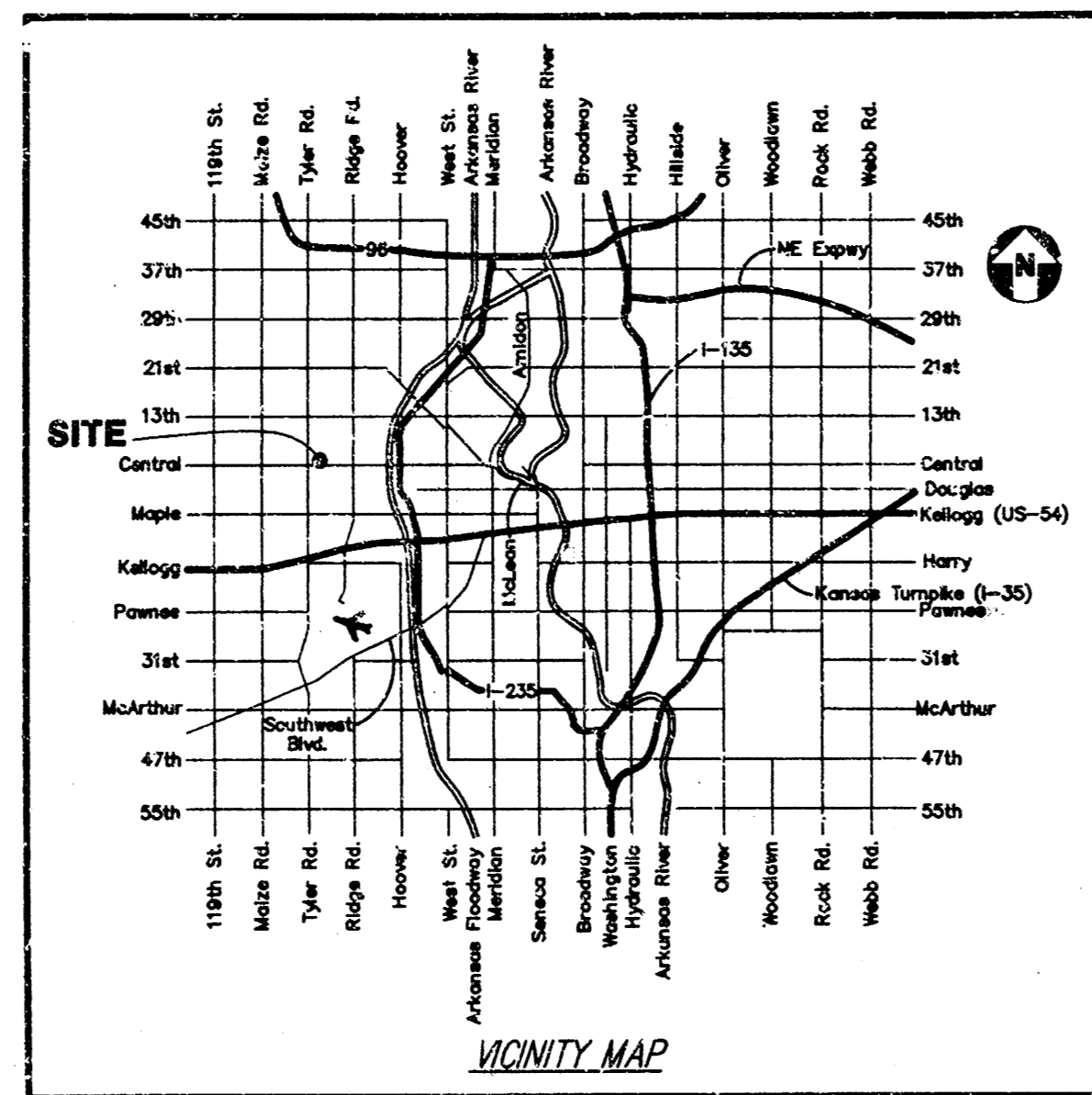
CITY OF WICHITA, KANSAS
Michael E. Lindebak, P.E. City Engineer
August, 1996

BENCHMARK

Bench Mark: "□" at back of walk 50'± West & 50'±
South of the Centerlines of Central & Tyler.
Elevation = 145.03 City Datum

INDEX

1. Plan / Profile
2. Shallow Manhole Details
3. Drop Inlet Details



SCALE:
1"=20' Horizontal
1"=5' Vertical
• = Iron

GENERAL NOTES:

1. Underground utility service lines and overhead utility pole lines are to be adjusted as necessary by others prior to construction unless the plans specifically call for their adjustment by the Contractor or unless the plans specifically identify a utility to be adjusted by its owner during construction. Existing utilities and their location, as shown on the plans, represent the best information obtainable for design. The Contractor will be required to work around existing utilities within the right-of-way which do not conflict with proposed construction.
2. Contractor will be required to provide notice to utility companies a minimum of twenty-four (24) hours prior to any excavation, as follows:

Kansas One-Call 687-2470

The Contractor must notify the following in case of an emergency:

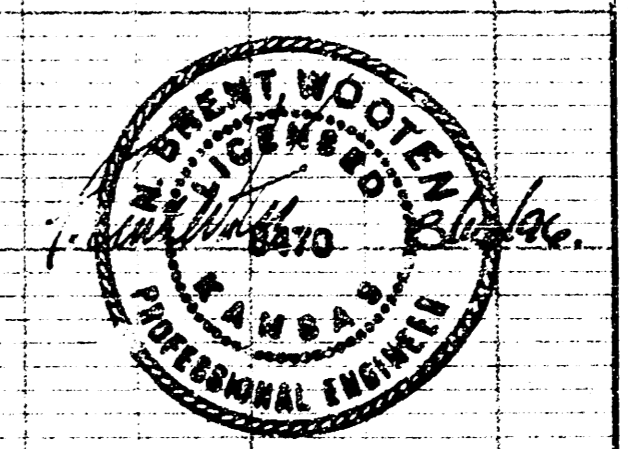
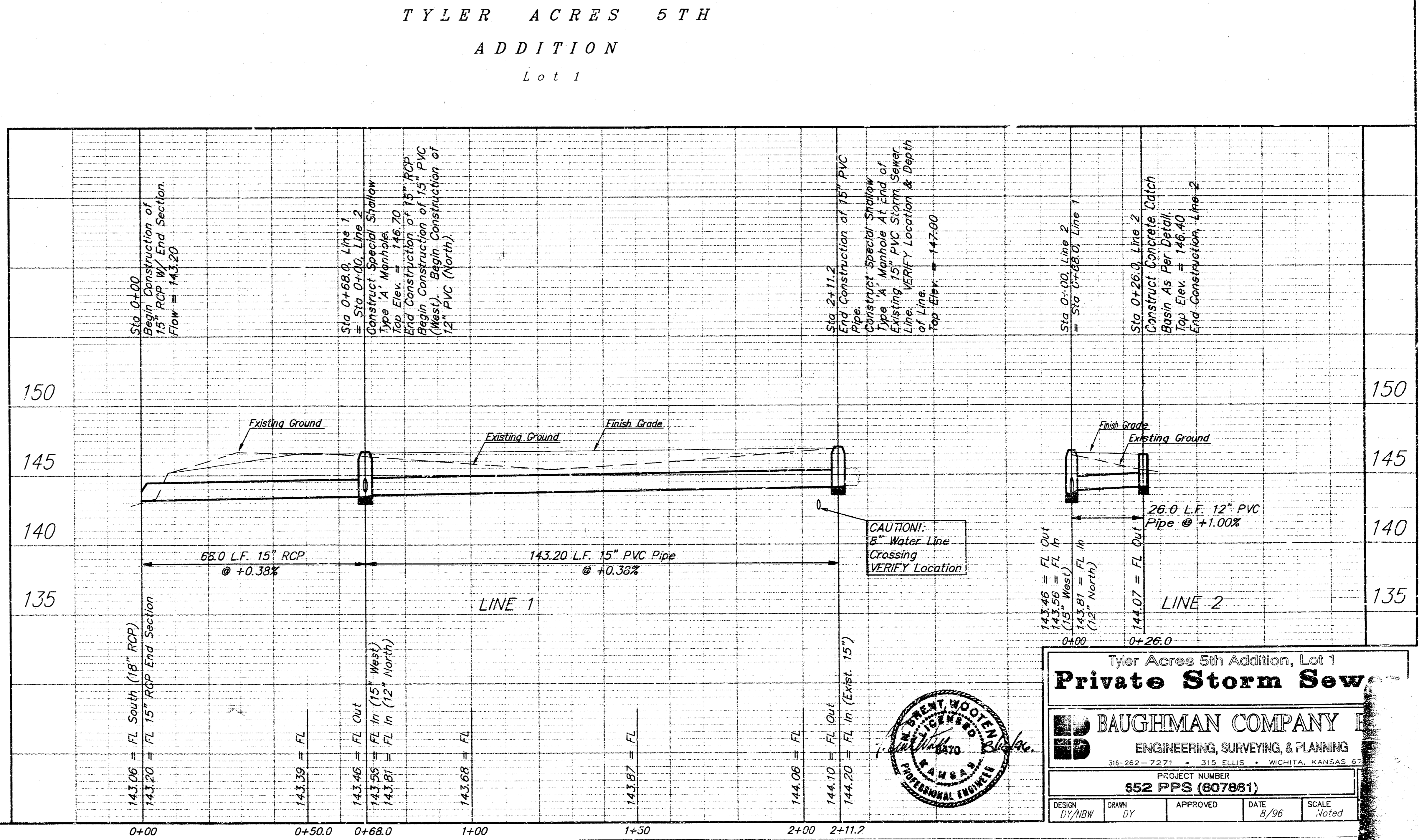
Cablevision 262-4270
or 263-2091
K.P.L. Gas Service Company 383-8650
Kansas Gas & Electric Company 93-8600
Peoples Gas Company 942-8350
Southwestern Bell Telephone Company 1-571-2611
City of Wichita Water Department 268-4908
City of Wichita Sewer Maintenance 268-4071
3. Existing utilities and their locations, as shown on the plans, represent the best information obtainable for design. Location information has been obtained from the various utility companies and is either from company record drawings or company-provided field locations. The Contractor will be required to work around existing utilities which do not conflict with proposed construction. The Contractor shall verify all utility locations prior to construction of this project.
4. The Contractor shall be responsible for preserving property irons. The Contractor will be required to re-establish any property irons which are damaged or destroyed by his construction operations. Such irons shall be re-established by a licensed land surveyor in accordance with State Law.
5. All areas disturbed by construction operations shall be seeded with rye grass at a rate of 2 lbs. per 1000 sq. ft. Contractor to prepare ground to city specifications.

APPROVED AS NOTED
BY CITY ENGINEER OF WICHITA

Storm Sewer *[Signature]*

NOTE TO CONTRACTORS
Inspection and testing for this project is to be provided by a Licensed Consulting Engineering firm under contract with the Owner/Developer. Said inspection to be in accordance with the City of Wichita standard construction engineering practices and certified by a Licensed Professional Engineer. No work shall be performed in dedicated easements or public right-of-way by the Contractor without such inspection nor shall any work be commenced without written authorization by the City Engineer. All Construction and Materials shall comply with the City of Wichita Specifications and Standards (on file and available in the City Engineer's Office).

*Booked
E-4
8/21/03
RDL*

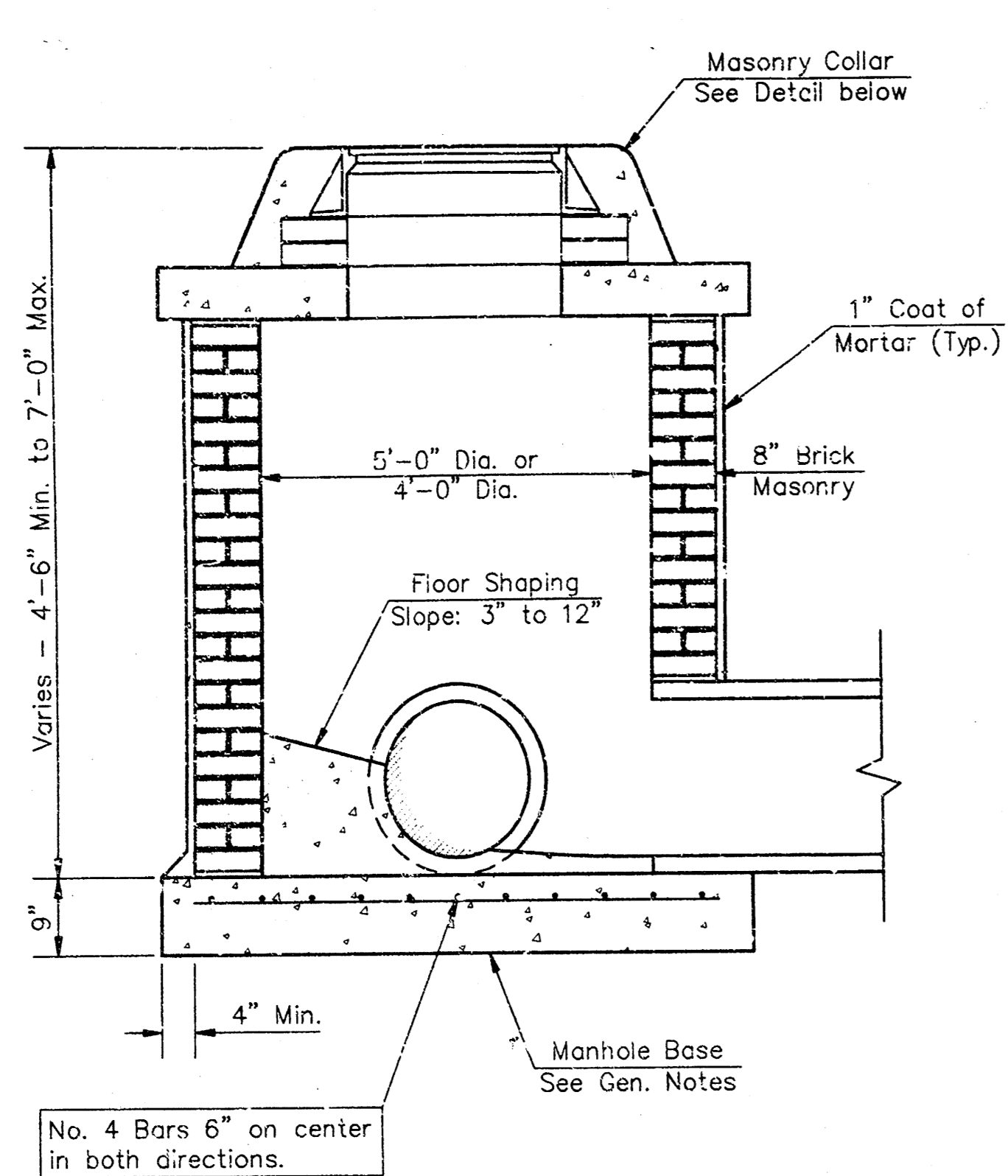


Tyler Acres 5th Addition, Lot 1
Private Storm Sewer

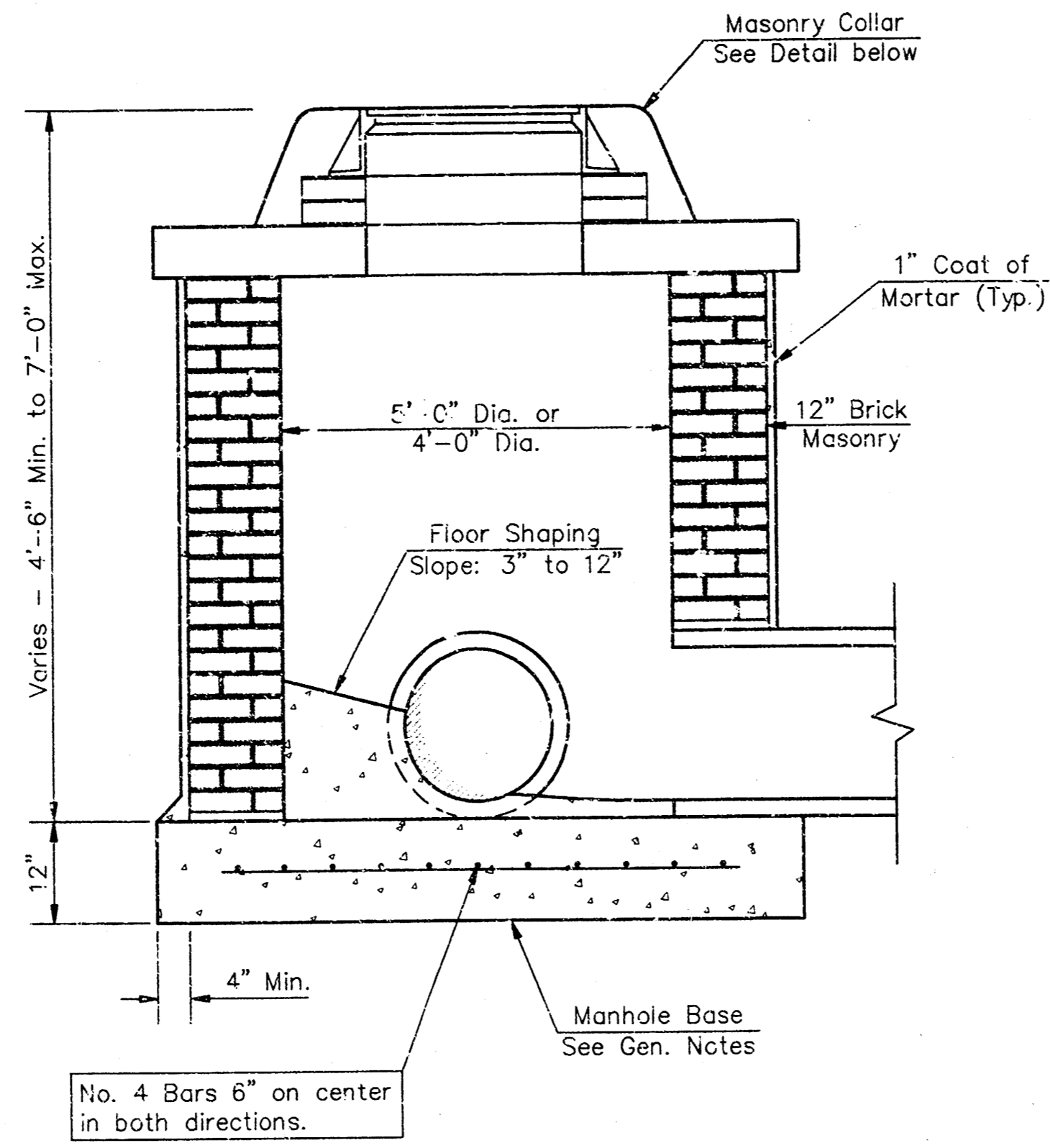
BAUGHMAN COMPANY
ENGINEERING, SURVEYING, & PLANNING
315-262-7271 • 315 ELLIS • WICHITA, KANSAS 67202

PROJECT NUMBER
652 PPS (607861)

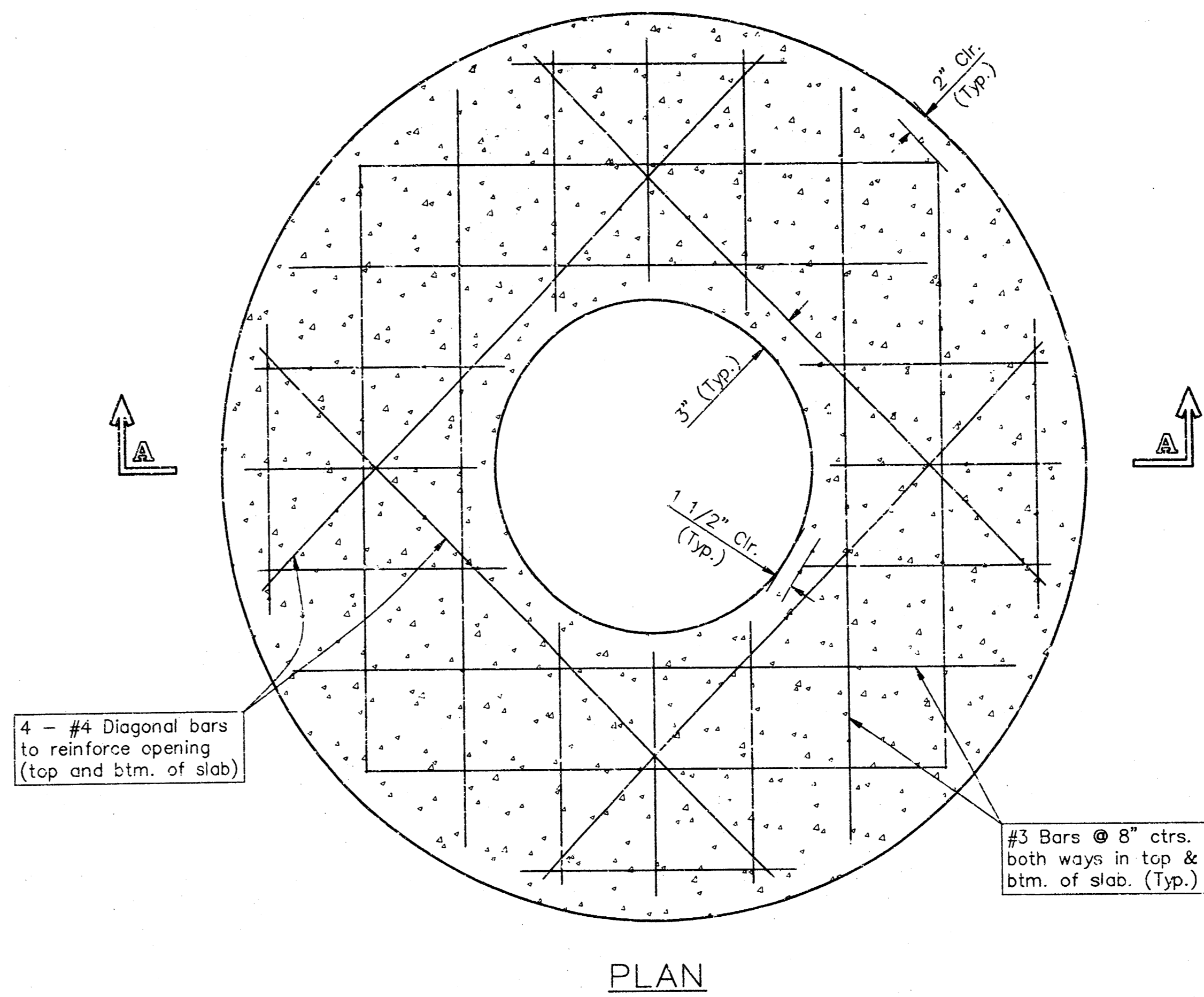
DESIGN 07/96	DRWN DY	APPROVED	DATE 8/96	SCALE Noted
-----------------	------------	----------	--------------	----------------



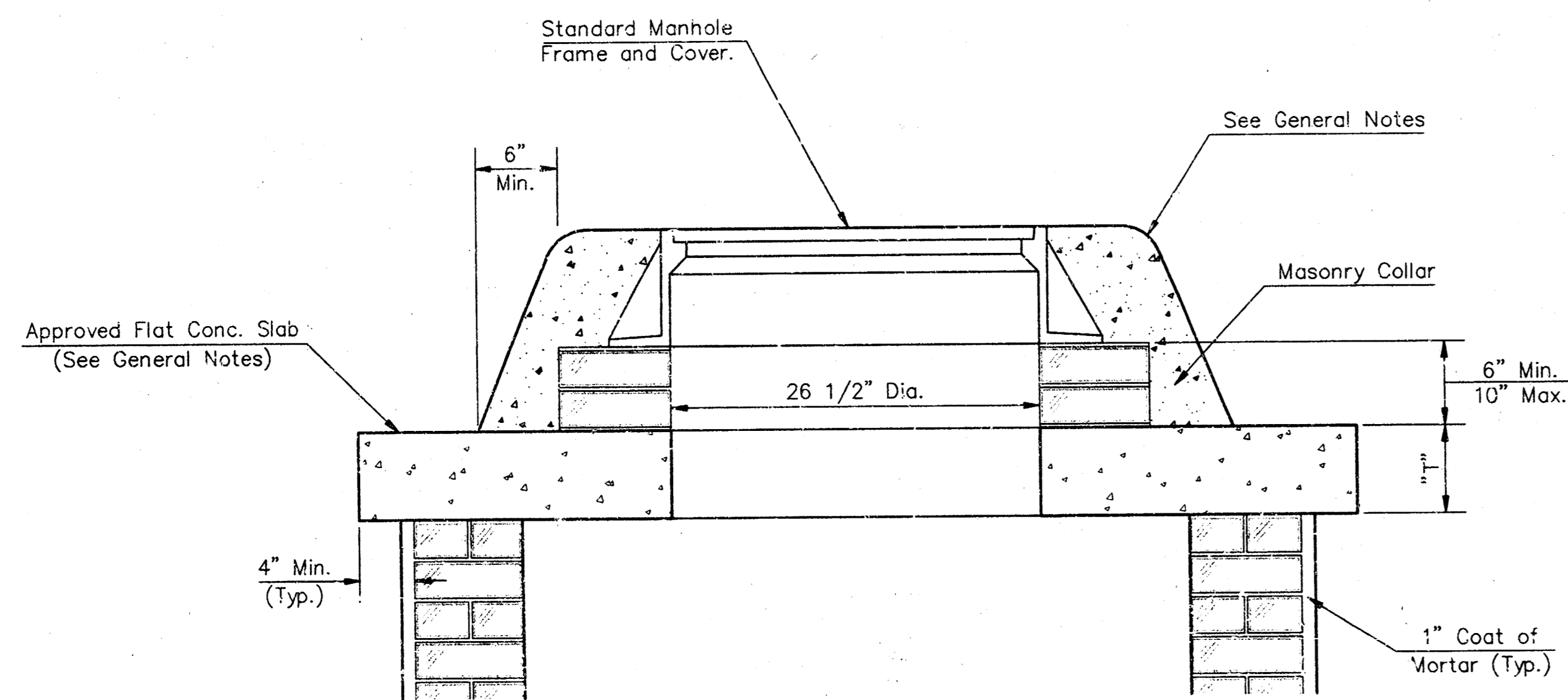
SHALLOW TYPE "A" MANHOLE



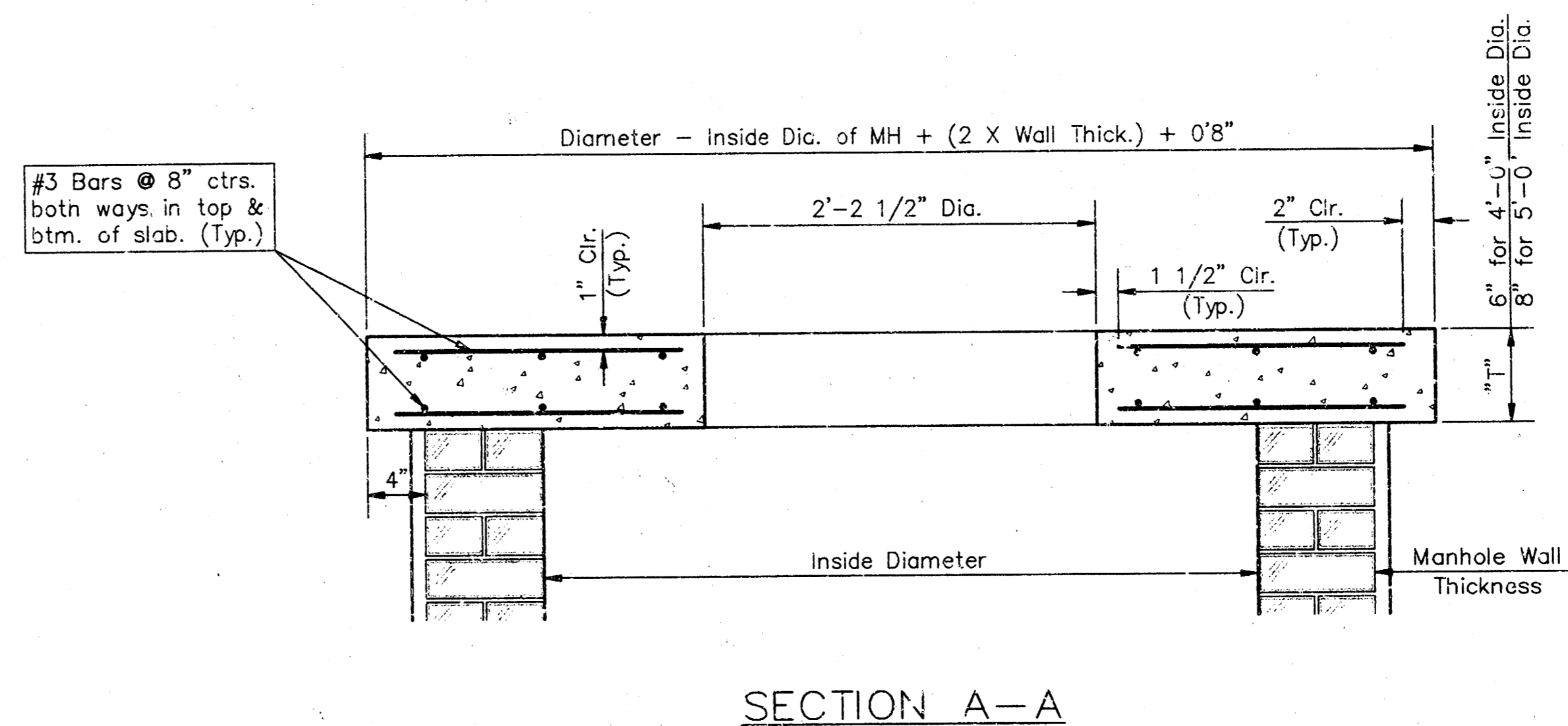
SHALLOW TYPE "B" MANHOLE



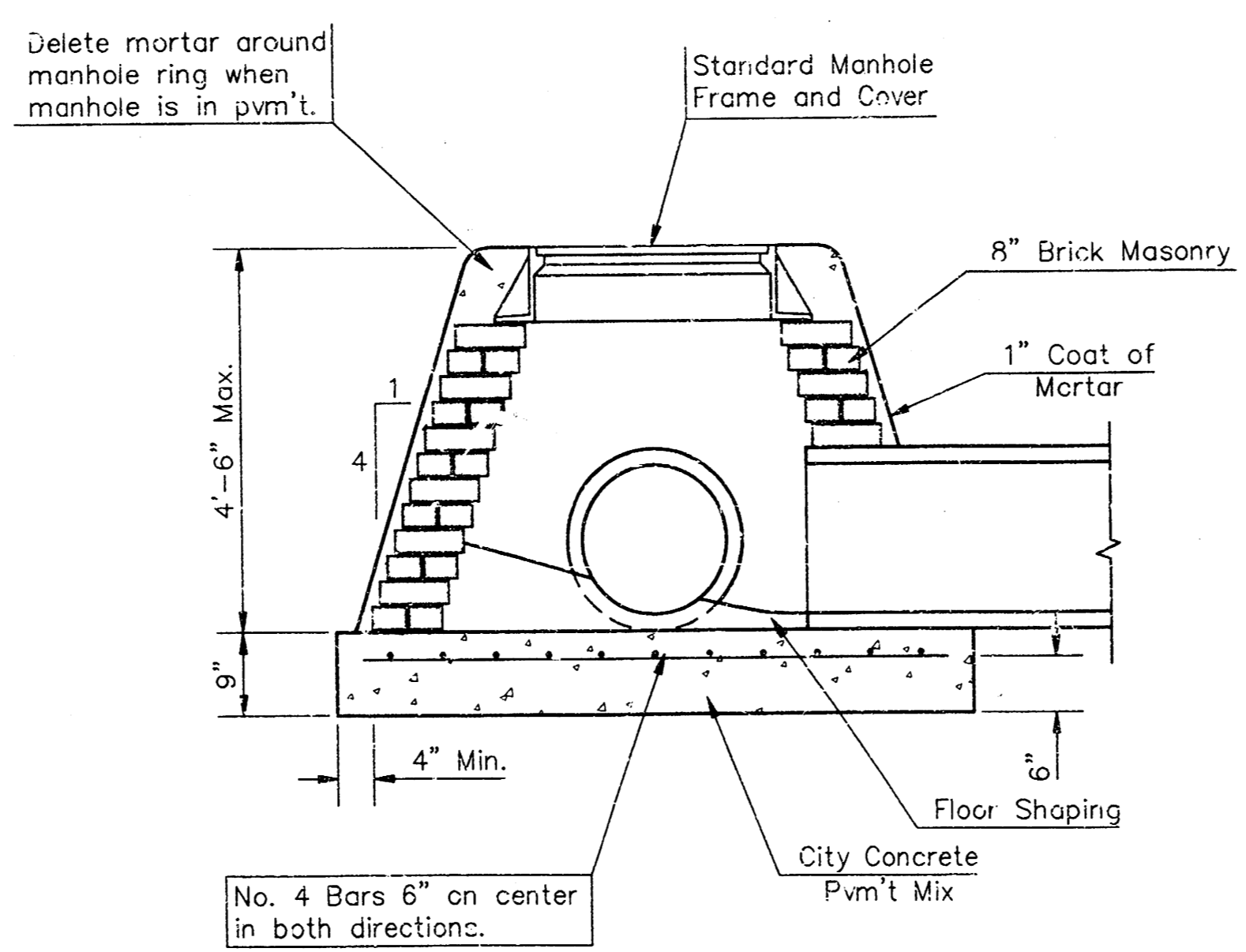
PLAN



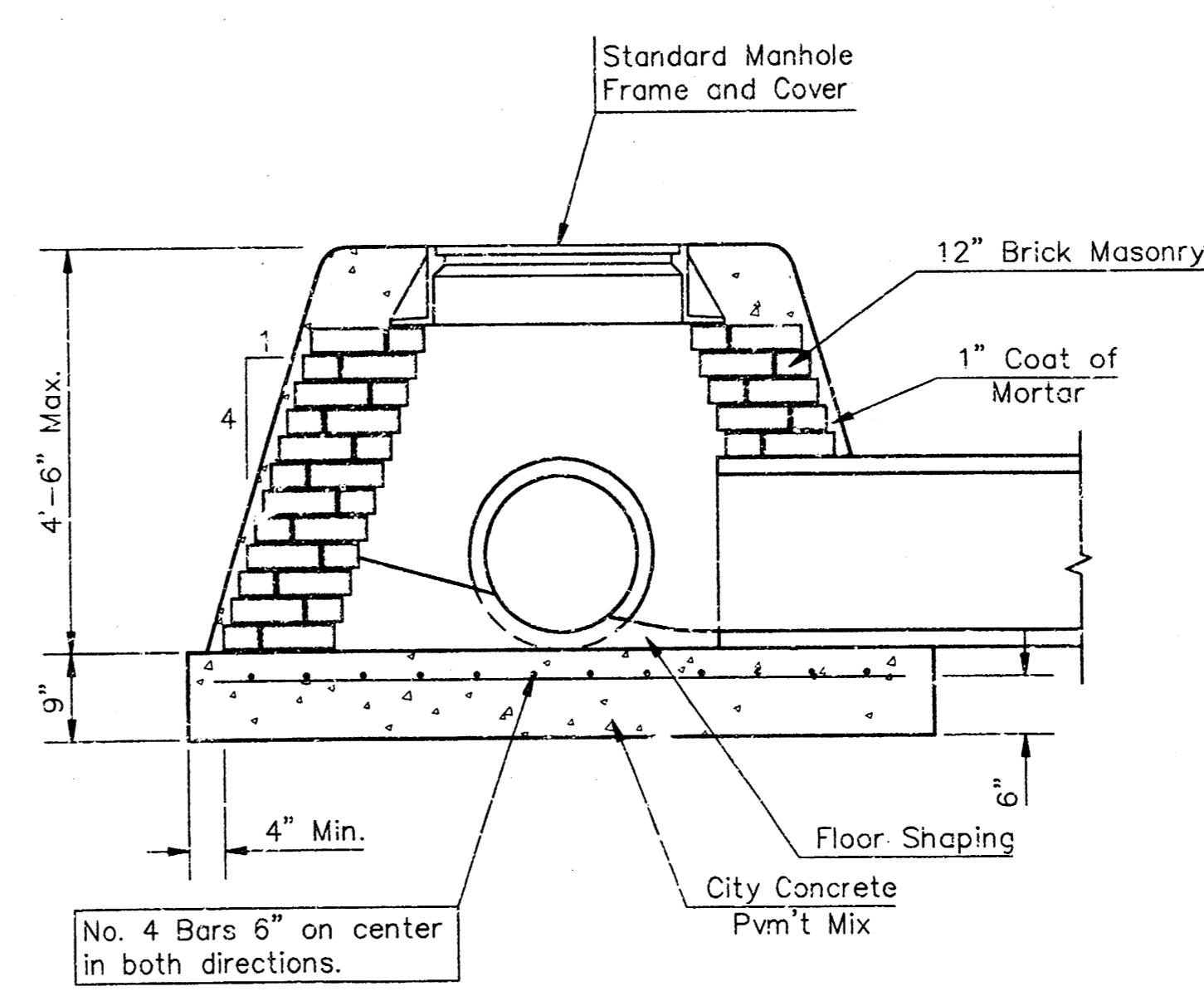
MASONRY COLLAR DETAIL



FLAT CONCRETE SLAB DETAILS



SPECIAL SHALLOW TYPE "A" MANHOLE



SPECIAL SHALLOW TYPE "B" MANHOLE

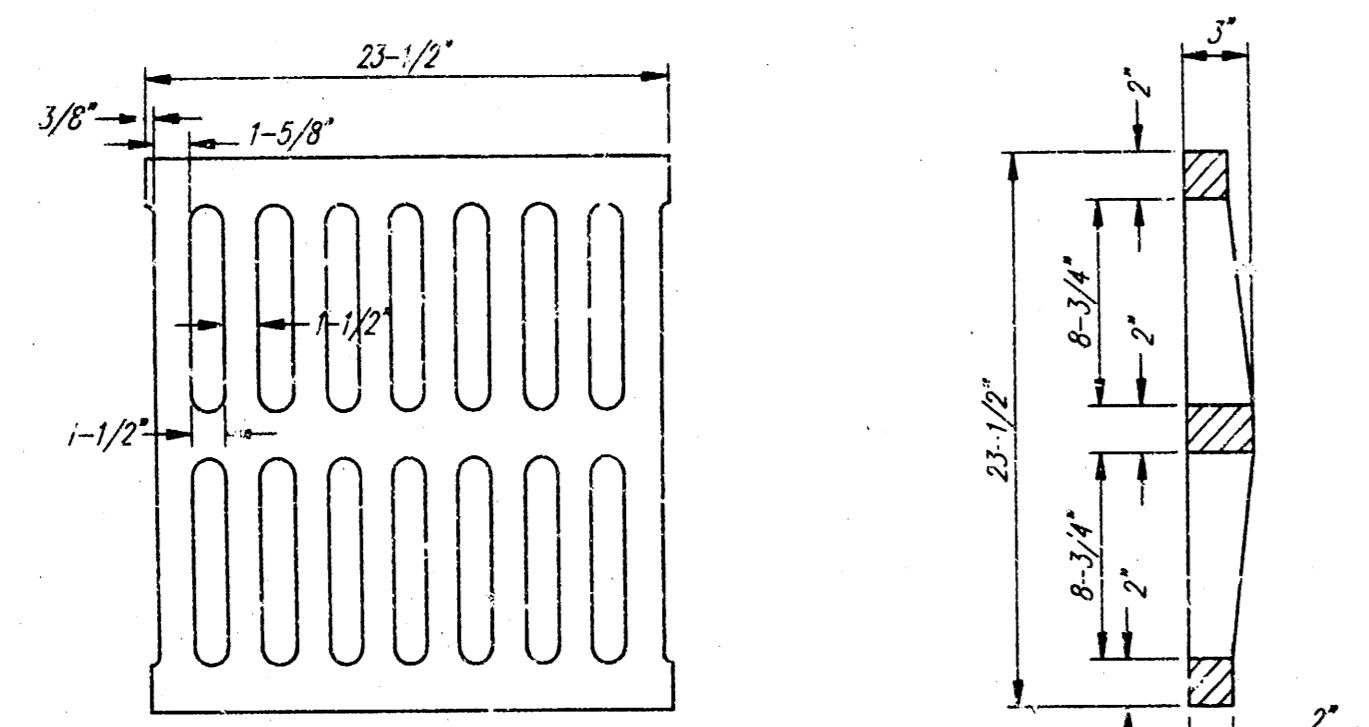
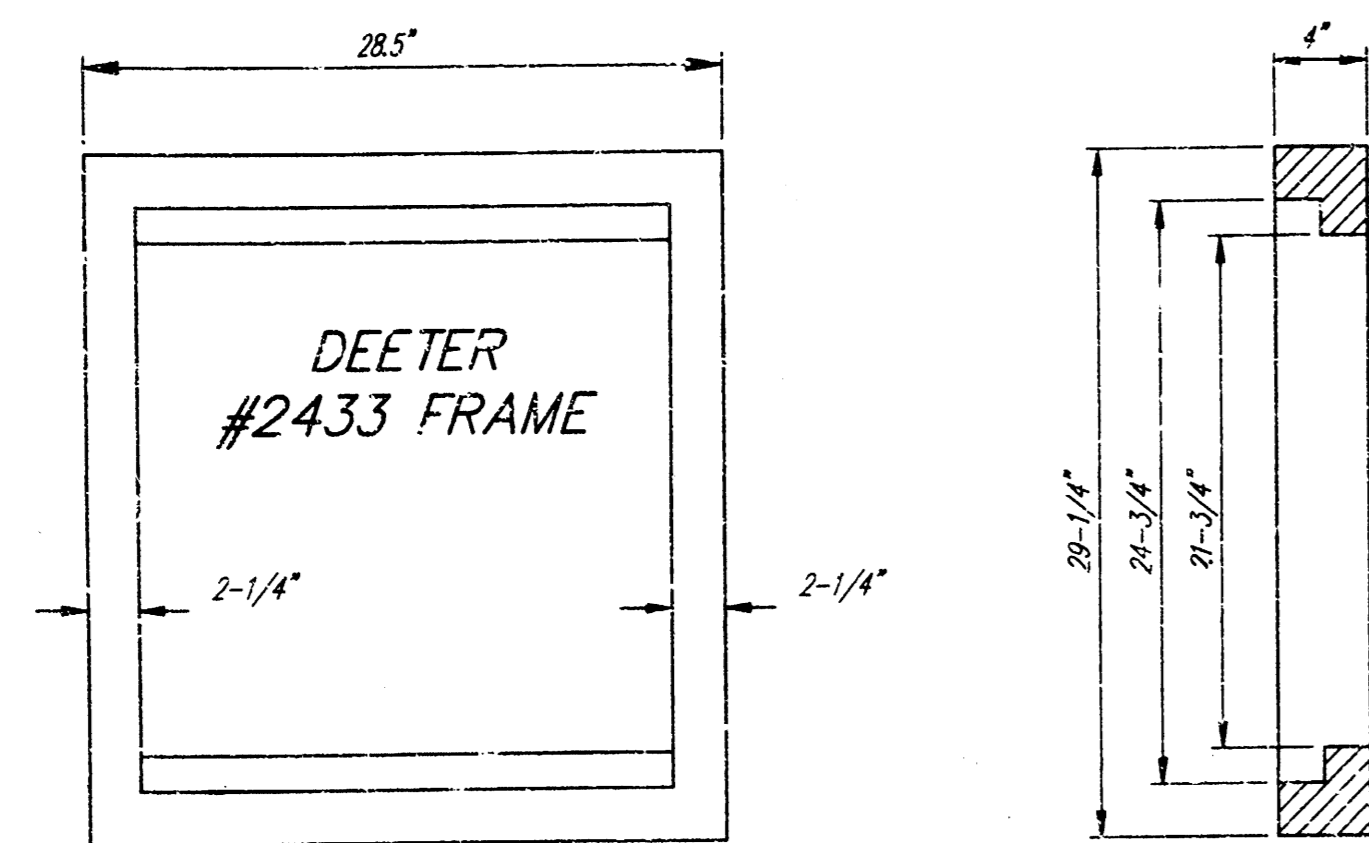
GENERAL NOTES

- Mortar used in masonry construction shall contain 8 sacks of cement per cubic yard. Concrete used in manhole bases shall conform to the requirements of concrete for concrete pavement construction as specified in the city standard paving specifications using city concrete cement mix without air entraining admixture. Mortar shall be placed around the manhole ring as shown on the drawings when manholes are constructed in unpaved areas. Type "A" shallow manholes can be used on sewers when the manhole is not located within public street pavement. Manholes constructed where pipe sizes are smaller than 24" shall have an inside diameter of 4". Manholes constructed where pipe sizes are 24" or larger shall have an inside diameter of 5". Completed manhole shall be without leaks and water tight.
- Reinforcing steel shall be installed in the manhole bases and shall consist of no. 4 bars placed on 6" centers in both directions. The manhole base reinforcement shall be placed 6" above the bottom of the manhole base. All costs for furnishing and installing reinforcing steel shall be included in the unit price bid for the manhole.
- The floors of all manholes shall be shaped with flow channels such that the manholes will be self cleaning and free of areas where solids could be deposited as sewage flows through the manhole from all inlet pipes to the outlet pipe. Flow channels shall be formed to match the bottom halves of the inflowing pipes and the outflowing pipe as shown by the drawings. Manhole floors shall have slopes of 3 inches per foot in the areas outside of the flow channels sloped toward the flow channels. Pipes laid through manholes shall have the top half removed to neat lines for the full inside diameter of the manhole. Manhole floors shall then be shaped around the bottom half of the pipe which forms the flow channel.
- Pipes installed within the excavation made for the manhole shall be cradled with concrete to the limits of the manhole excavation. When clay pipe is used, the cradle shall extend to the first joint outside the manhole. The cradle shall be terminated at the clay pipe joint in a manner which will maintain the flexibility of the joint. Cost of cradle within manhole excavation or to clay pipe joints adjacent to manhole shall be included in the unit price bid for the manhole.
- Manhole cover castings and manhole frame castings shall conform to the requirements of the City of Wichita.
- The crowns of inflowing pipes shall never be set lower than the crown of the outflowing pipe.
- Standard shallow manholes type "A" and "B" shall be paid for at the unit price bid per each for the type and diameter indicated. Standard special shallow manholes type "A" and "B" shall be paid for at the unit price bid per each for the type indicated. All standard shallow manhole diameters will be 4' unless indicated otherwise.
- All brick used in manhole construction shall meet Grade SW of ASTM C652 or C62-87.

CITY OF WICHITA, KANSAS
STD. SHALLOW MANHOLE
 TYPE "A" AND TYPE "B"

BAUGHMAN COMPANY
 ENGINEERING, SURVEYING, & PLANNING
 316-262-7271 • 315 ELLIS • WICHITA, KANSAS 67202

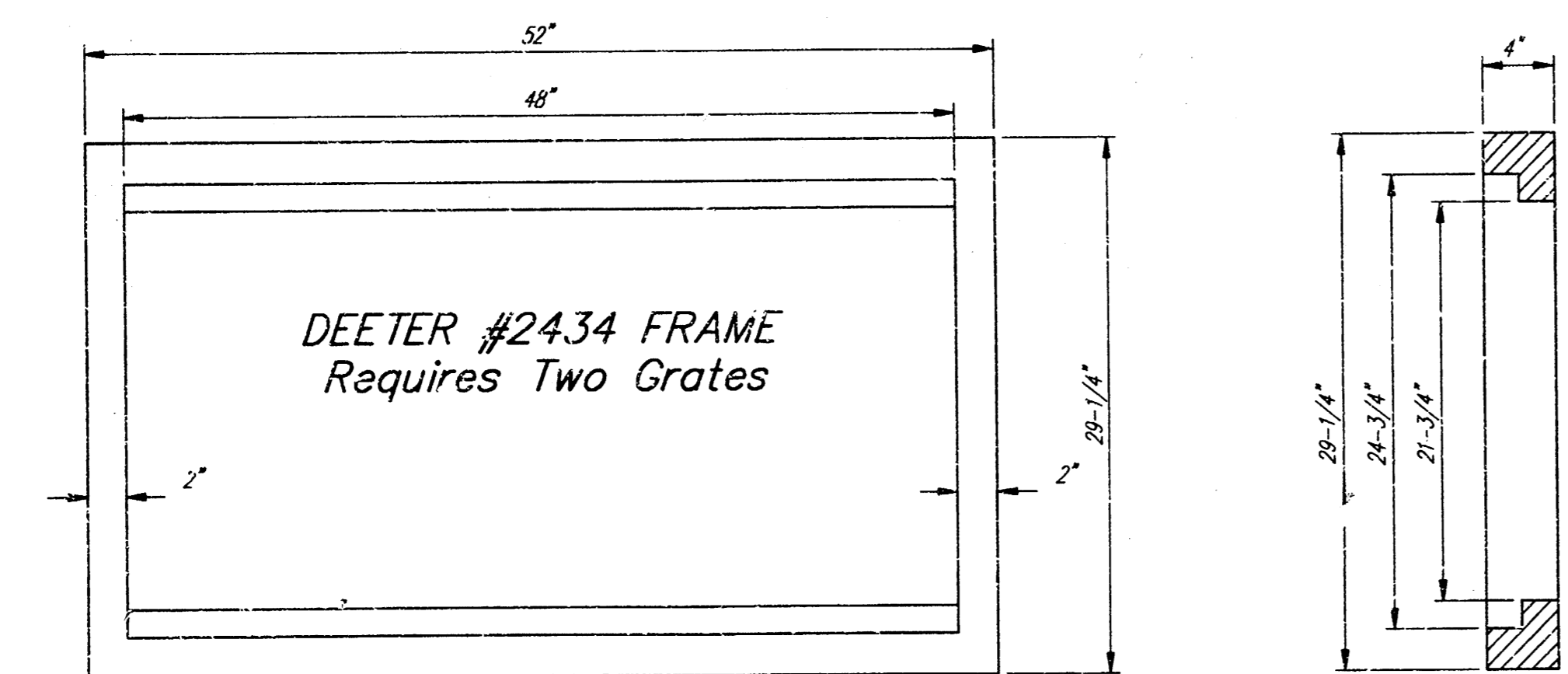
DESIGN	DRAWN	APPROVED	DATE	SCALE
C.W.	Staff			



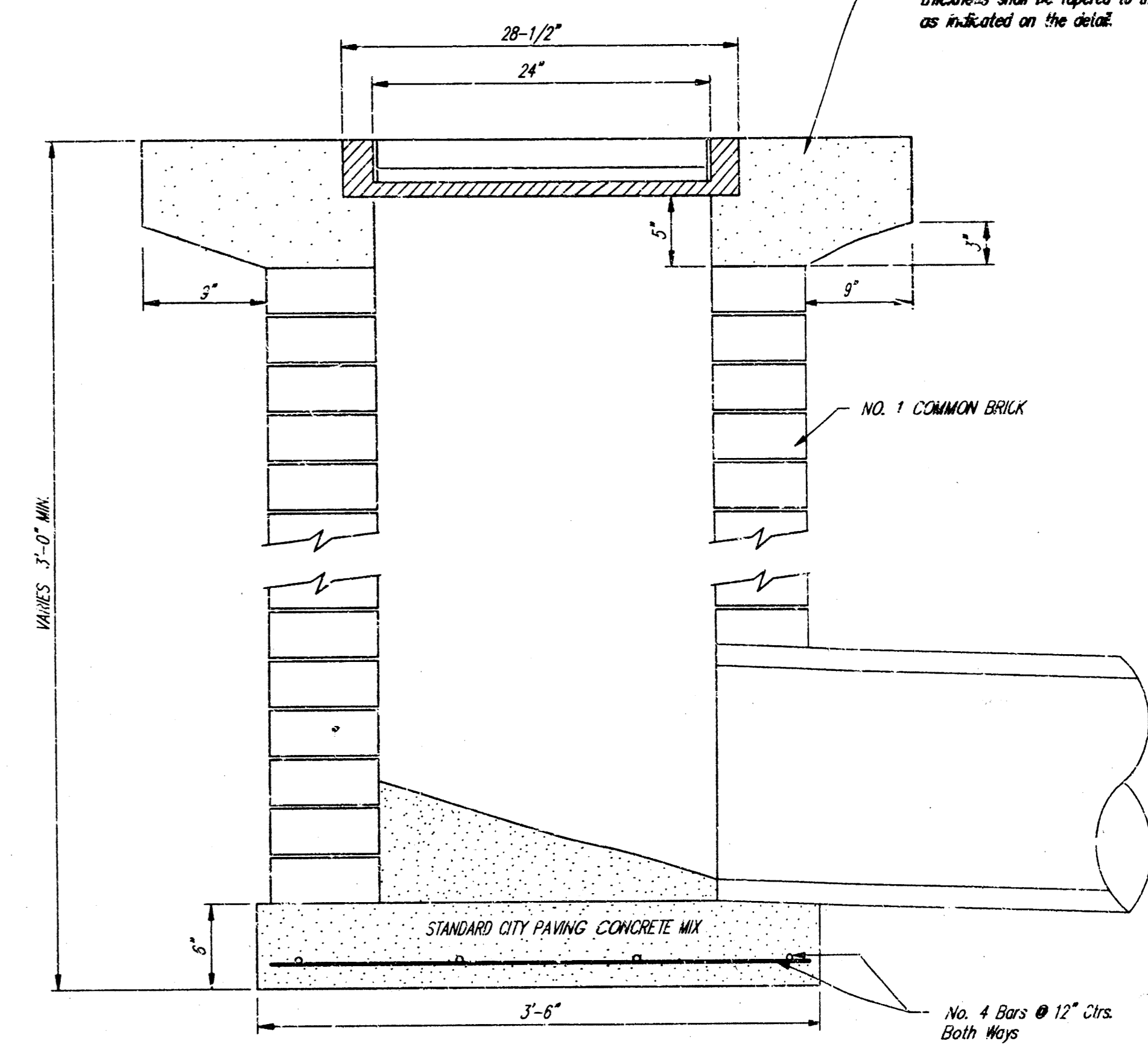
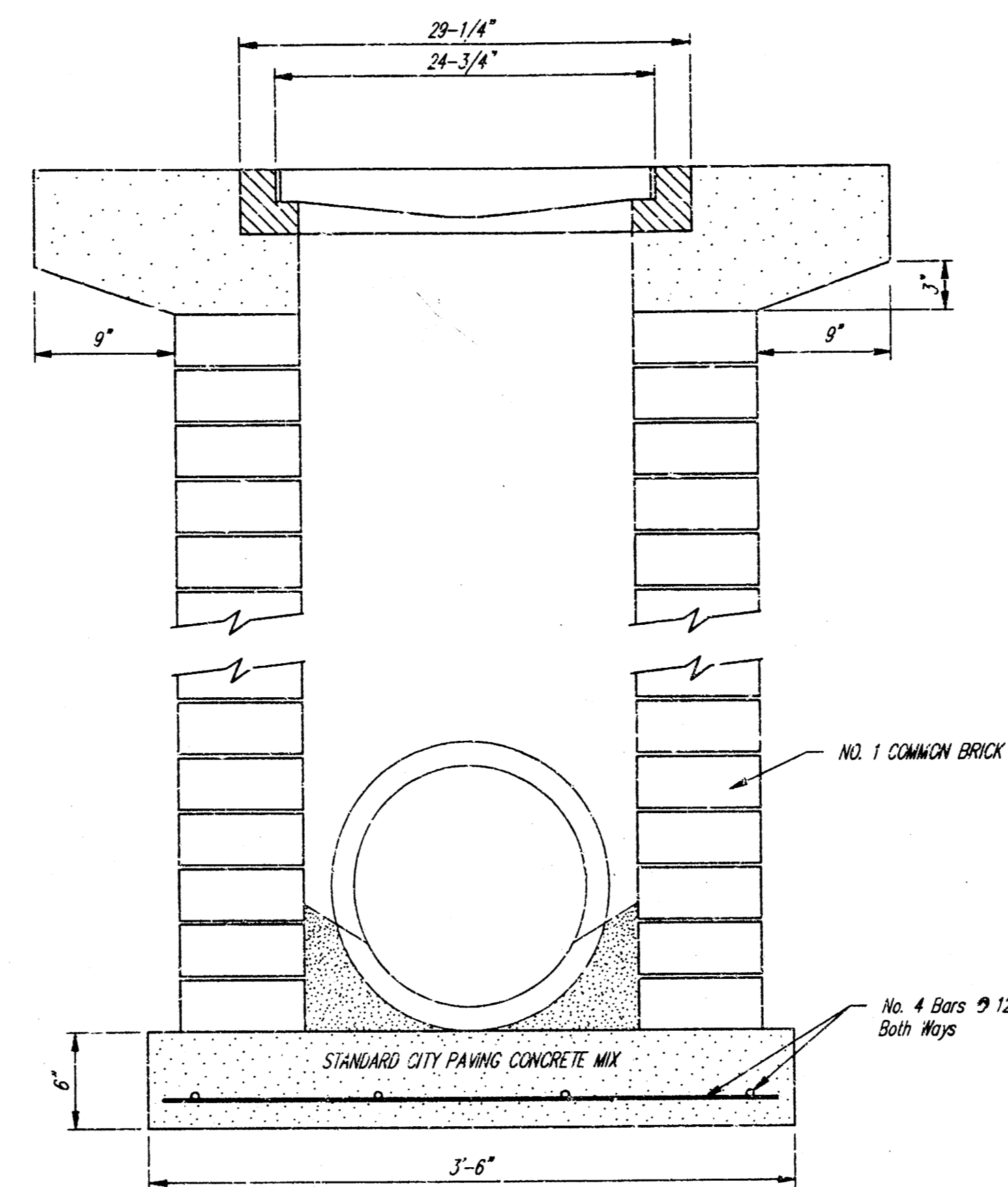
DEETER #2433 GRATE

24" x 24" Frame and Grate Detail

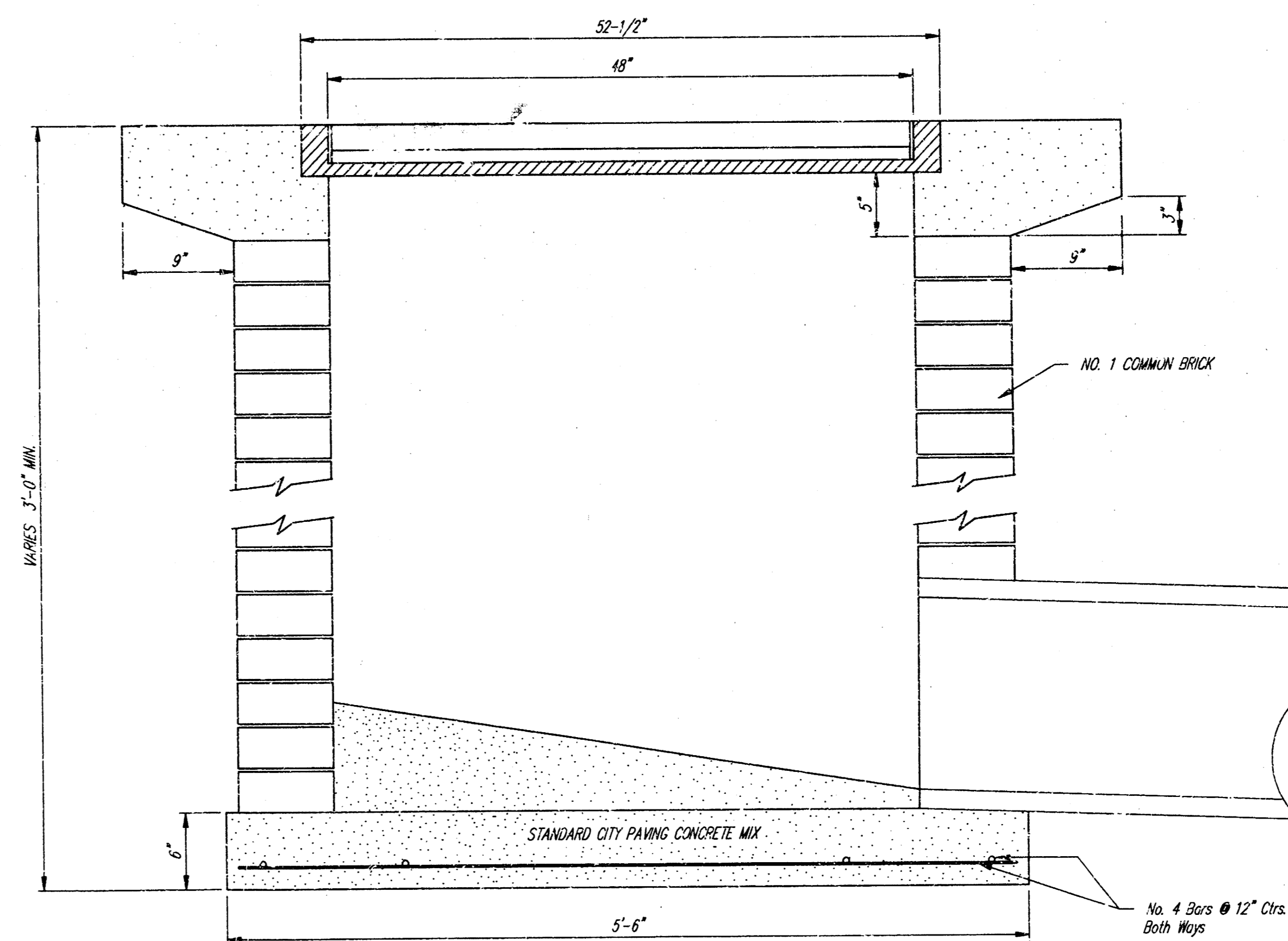
NOTE: Grates shall be imprinted on the top surface with "CITY OF WICHITA" using letters at least 1" in height. Other marking methods may be approved by the engineer.



Double 24" x 24" Frame Detail



Note: Concrete apron shall be constructed around the inlet when inlet is located in an unimproved area. Where the inlet is adjacent to pavement, the pavement thickness shall be tapered to the inlet in 9 inches as indicated on the detail.



City of Wichita Standard
Drop Inlet
BAUGHMAN COMPANY
 ENGINEERING, SURVEYING, & PLANNING
 16-222-7271 • 315 E. ALLIS • WICHITA, KANSAS
 PROJECT NUMBER
 DESIGN: C.O.W. DRAWN: Staff APPROVED: DATE: SCALE: