

PRIVATE STORM WATER SEWER PLANS FOR LOT 13, COMOTARA INDUSTRIAL PARK 2ND ADDITION

CITY OF WICHITA, KANSAS
MICHAEL E. LINDEBAK, CITY ENGINEER
INDEX CODE 607861
USER CODE 688 PPS

APPROVED AS NOTED
BY CITY ENGINEER OF WICHITA

STORM WATER SEWERS *RJA 2/18/97*

NOTE TO CONTRACTOR

PUBLIC PROPERTY:
INSPECTION AND TESTING FOR THE SEWER LINE IS TO BE PROVIDED BY A LICENSED CONSULTING ENGINEERING FIRM UNDER CONTRACT WITH THE OWNER/DEVELOPER. SAID INSPECTION TO BE IN ACCORDANCE WITH THE CITY OF WICHITA STANDARD CONSTRUCTION ENGINEERING PRACTICES AND CERTIFIED BY A LICENSED PROFESSIONAL ENGINEER. NO WORK SHALL BE PERFORMED IN DEDICATED EASEMENTS OR THE PUBLIC RIGHT-OF-WAY BY THE CONTRACTOR WITHOUT SUCH INSPECTION NOR SHALL ANY WORK BE COMMENCED WITHOUT WRITTEN AUTHORIZATION BY THE CITY ENGINEER. ALL CONSTRUCTION AND MATERIALS SHALL COMPLY WITH THE CITY OF WICHITA SPECIFICATIONS AND STANDARDS (ON FILE AND AVAILABLE IN THE CITY ENGINEER'S OFFICE).

GENERAL NOTES

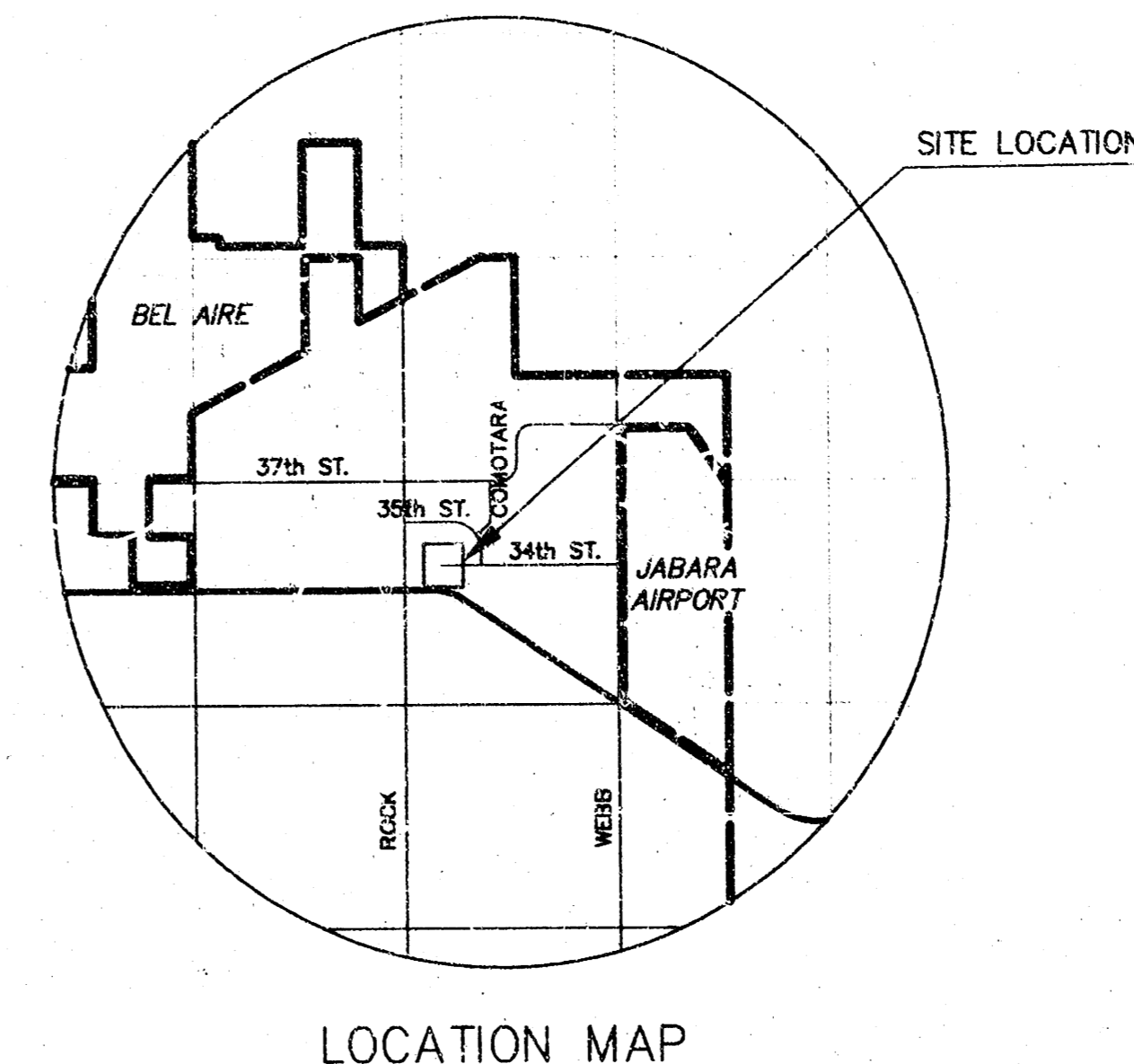
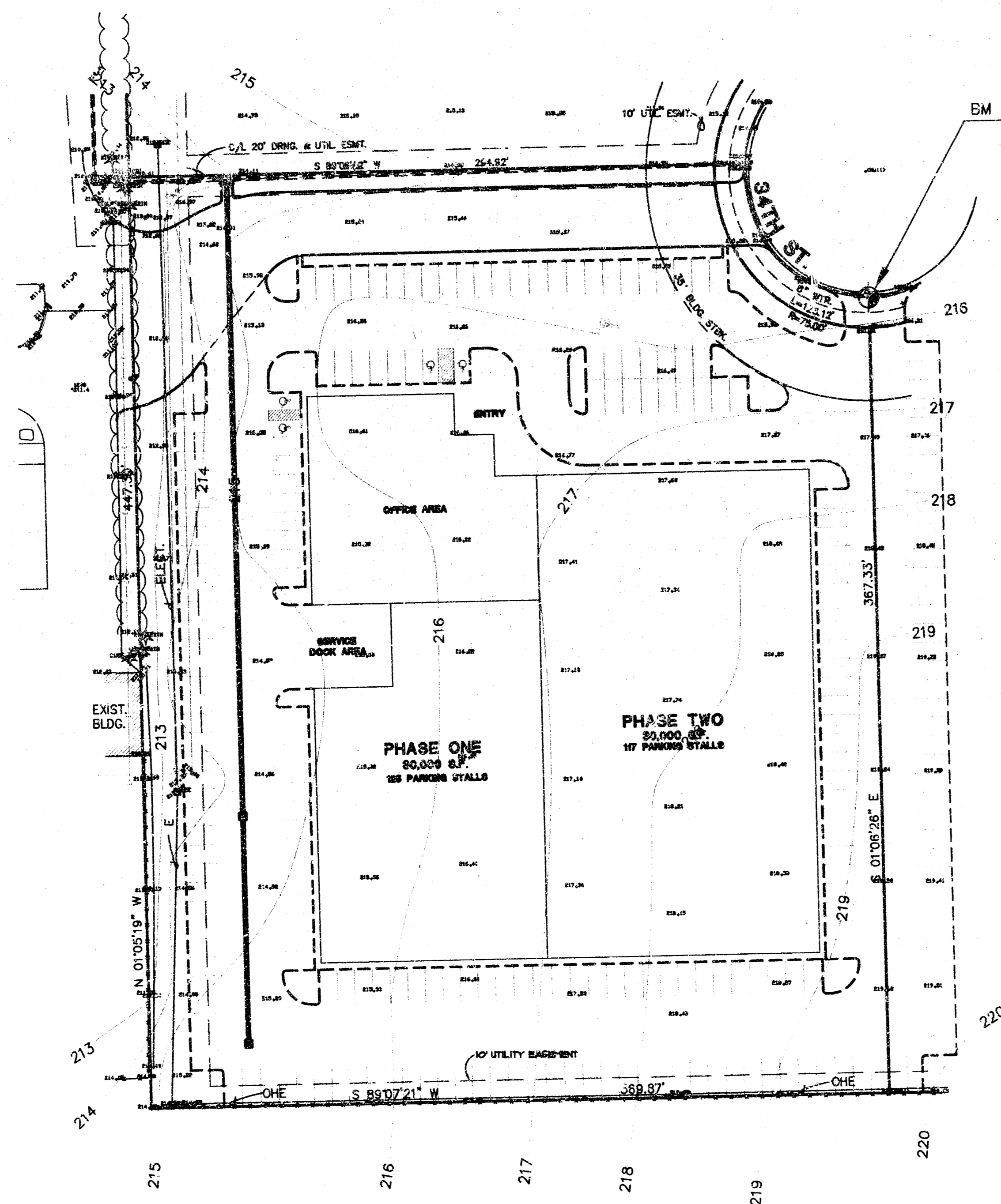
- THE CONTRACTOR SHALL BE RESPONSIBLE FOR PRESERVING PROPERTY IRONS. THE CONTRACTOR WILL BE REQUIRED TO RE-ESTABLISH ANY PROPERTY IRONS WHICH ARE DAMAGED OR DESTROYED BY HIS CONSTRUCTION OPERATIONS. SUCH IRONS SHALL BE RE-ESTABLISHED BY A LICENSED LAND SURVEYOR IN ACCORDANCE WITH STATE LAWS.
- EXISTING UTILITIES AND THEIR LOCATIONS, AS SHOWN ON THE PLANS REPRESENT THE BEST INFORMATION OBTAINABLE FOR DESIGN. LOCATION INFORMATION HAS BEEN OBTAINED FROM THE VARIOUS UTILITY COMPANIES AND IS EITHER FROM COMPANY RECORD DRAWINGS OR COMPANY PROVIDED FIELD LOCATIONS. THE PLAN LOCATIONS SHOWN ARE NOT GUARANTEED. ADDITIONAL EXISTING UTILITIES MAY ALSO BE ENCOUNTERED.
- CONTRACTOR WILL BE REQUIRED TO PROVIDE A MINIMUM ADVANCE NOTICE OF FORTY-EIGHT (48) HOURS TO UTILITY COMPANIES PRIOR TO STARTING ANY EXCAVATION AS FOLLOWS:

KANSAS ONE-CALL 1-800-344-7233
or 687-2470 (LOCAL WICHITA)

THE CONTRACTOR MUST NOTIFY THE FOLLOWING IN CASE OF AN EMERGENCY:

SOUTHWESTERN BELL TELEPHONE COMPANY	1-571-2115
CABLEVISION	262-0661
KANSAS GAS & ELECTRIC (ELECTRIC)	264-1141
KANSAS GAS & ELECTRIC (GAS)	832-3180 OR 832-3169
CITY OF WICHITA SEWER MAINTENANCE	268-4908
CITY OF WICHITA WATER DEPARTMENT	268-4908

- RUBBLE FROM THE REMOVAL OF MISCELLANEOUS STRUCTURES AND EXCESS EXCAVATION WHICH IS TO BE WASTED SHALL BE DISPOSED OF ON SITES TO BE PROVIDED BY THE CONTRACTOR. THESE SITES SHALL BE APPROVED BY THE ENGINEER AS TO SUITABILITY, APPEARANCE AND SITE LOCATION. LOCATIONS THAT, IN THE OPINION OF THE ENGINEER, WILL LEAVE AN UNSIGHTLY APPEARANCE WILL NOT BE APPROVED. ALL DISPOSAL SITES MUST BE APPROVED BY THE KANSAS DEPARTMENT OF HEALTH AND ENVIRONMENT. MATERIAL EITHER STOCKPILED OR DISPOSED OF IN A FLOOD PLAIN WOULD REQUIRE A KANSAS STATE BOARD OF AGRICULTURE PERMIT. ANY MATERIAL DUMPED IN WATERS OF THE UNITED STATES OR WETLANDS IS SUBJECT TO U.S. CORPS OF ENGINEERS PERMITTING REGULATIONS. ANY MATERIAL BURIED OR STOCKPILED BEYOND APPROVED CONSTRUCTION LIMITS WOULD REQUIRE ADDITIONAL ARCHAEOLOGICAL INVESTIGATIONS UNLESS BURIED IN A PREVIOUSLY APPROVED BORROW LOCATION.
- PRIOR TO LAYING SEWER LINE, THE CONTRACTOR SHALL EXPOSE AND VERIFY THE ELEVATION OF FLOW LINE OF EXISTING LINE AND NOTIFY THE ENGINEER OF ANY DEVIATION FROM THE PLANS.
- TREES AND SHRUBS IN PUBLIC RIGHT-OF-WAY WHICH ARE IN DIRECT CONFLICT WITH PROPOSED NEW CONSTRUCTION SHALL BE REMOVED BY THE CONTRACTOR WITH THE ENGINEER'S APPROVAL. TREES AND SHRUBS WHICH ARE NOT IN DIRECT CONFLICT WITH PROPOSED NEW CONSTRUCTION SHALL BE SAVED AND PROTECTED FROM DAMAGE.
- CONTRACTOR SHALL RESEED AND MULCH ALL DISTURBED AREAS. COST SHALL BE SUBSIDIARY TO SITE RESTORATION.



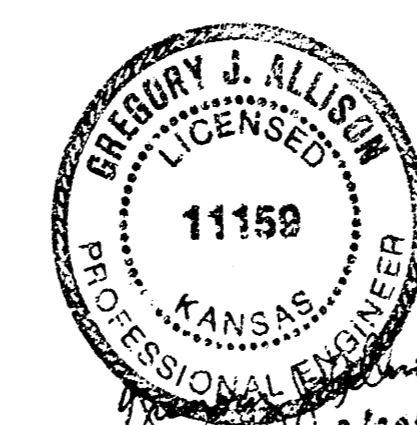
INDEX TO DRAWINGS

SHEET NO.	DESCRIPTION
1	TITLE SHEET
2	TYPE 1-A CURB INLET
3	STD. DROP INLET
4	STORM WATER SEWER PLAN/PROFILE
5	FINAL PLAT

BENCHMARKS

BM #1 SQUARE CUT ON SOUTH T.C. OF 34TH ST. CIR. IN LINE WITH THE EAST LINE OF LOT 13, COMOTARA INDUSTRIAL PARK 2ND ADD. ELEV. = 215.045

SCALE: 1" = 50'
LEGEND

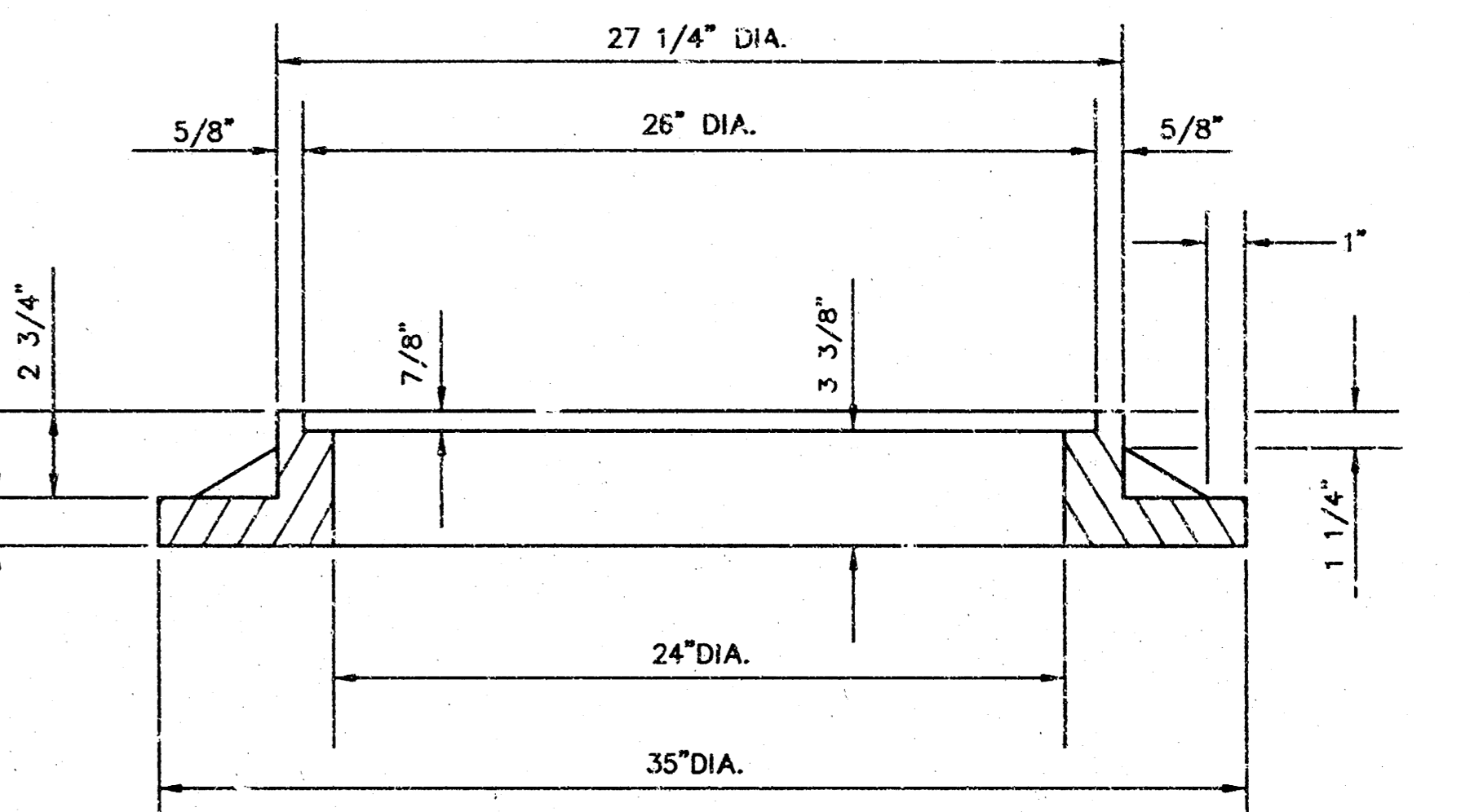
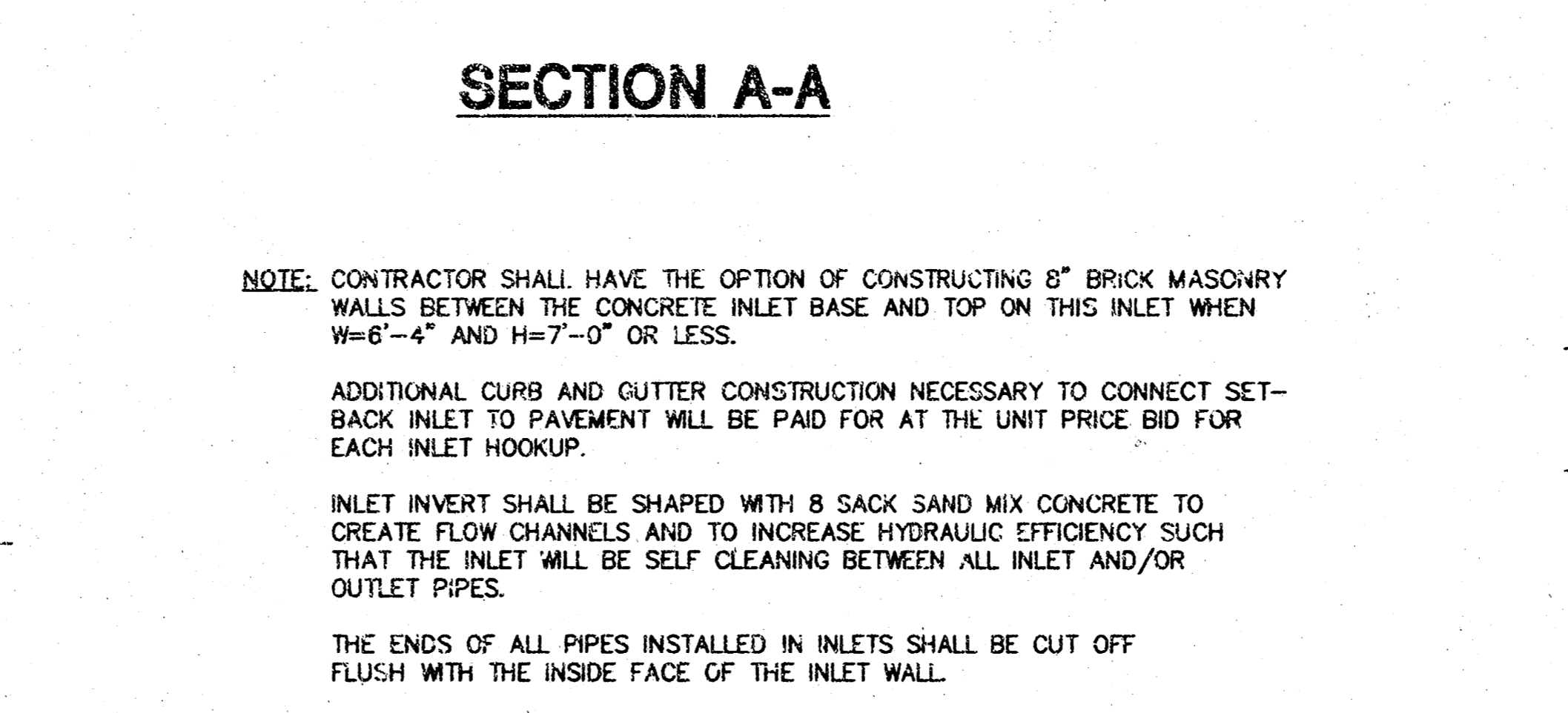
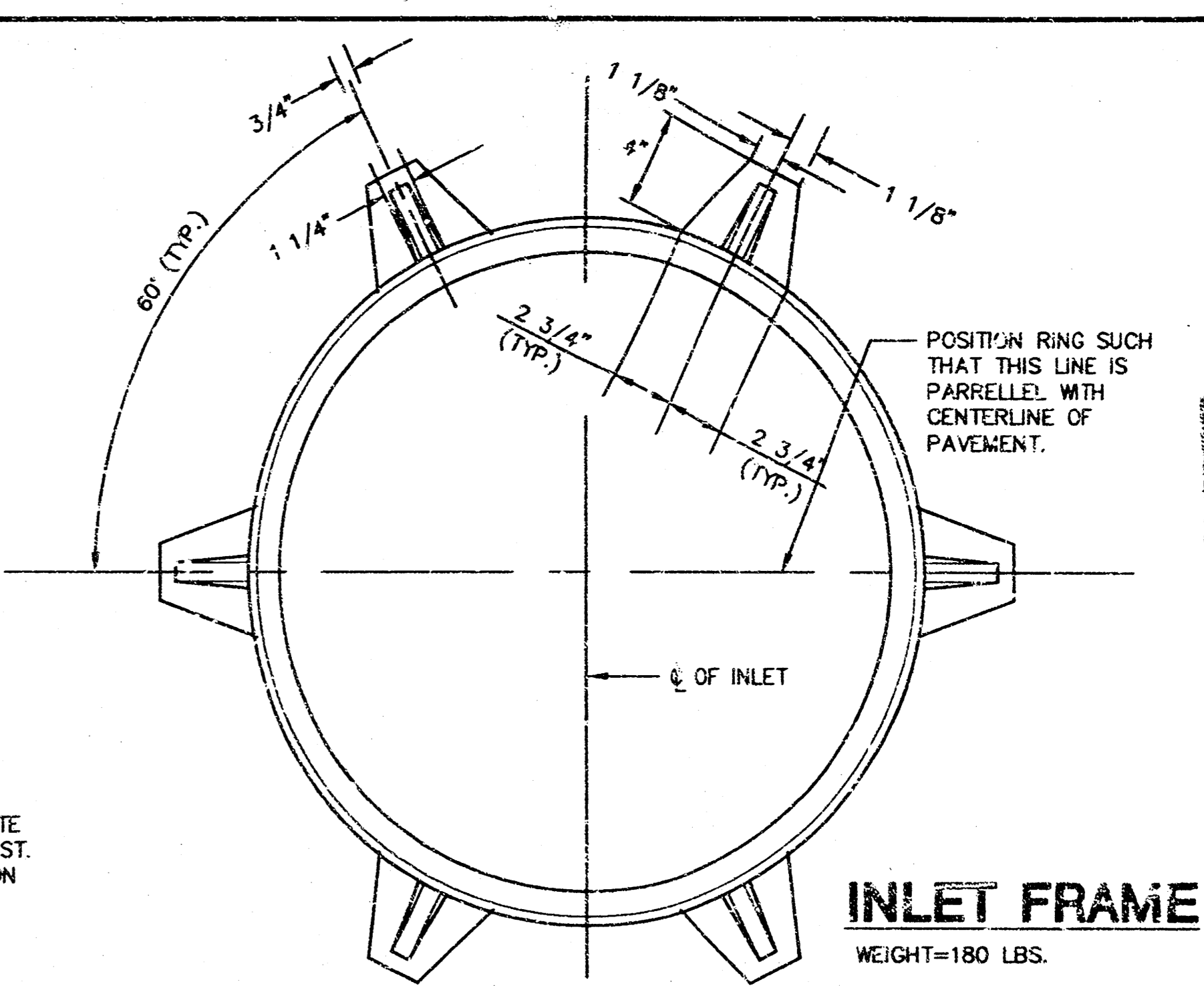
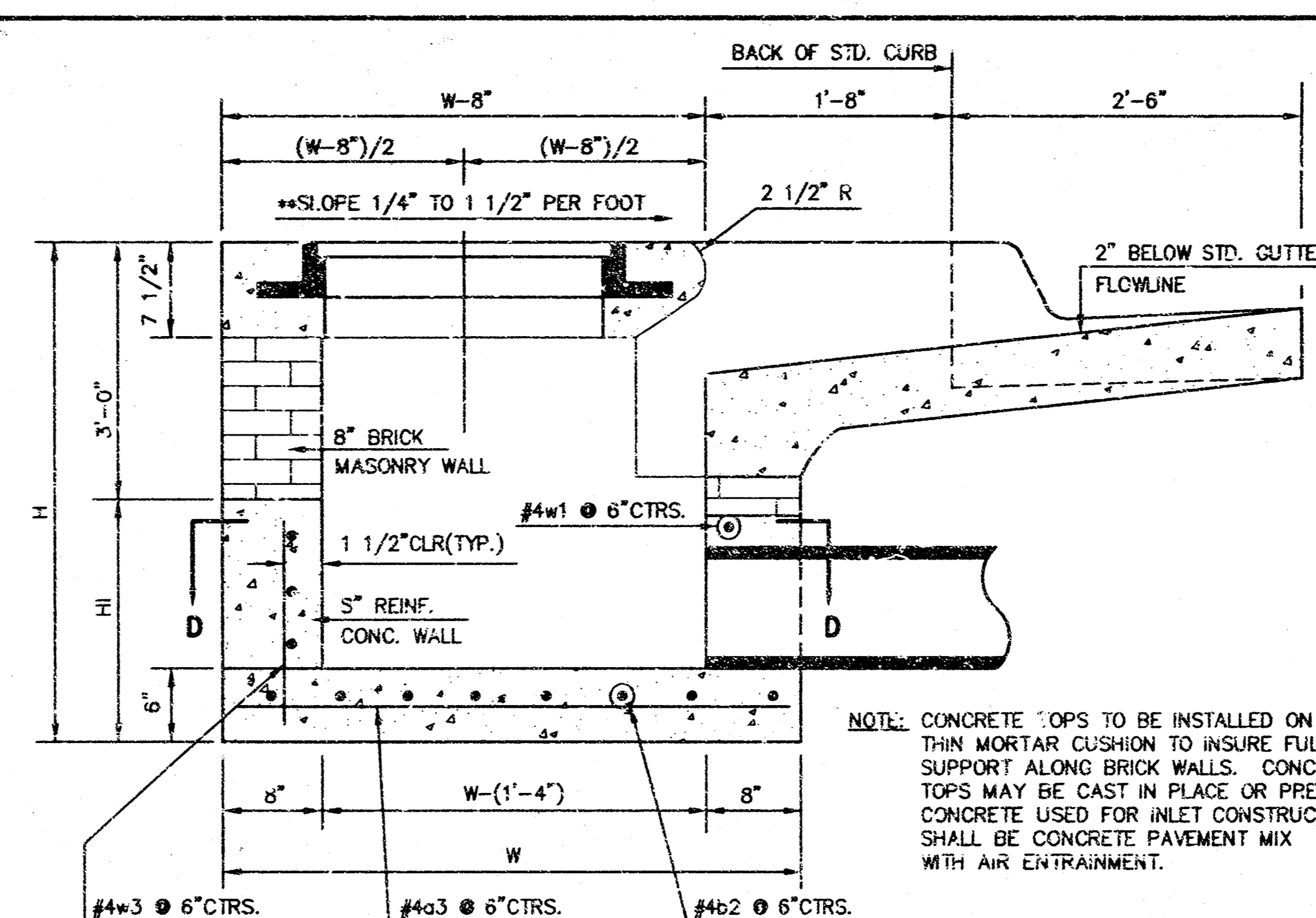
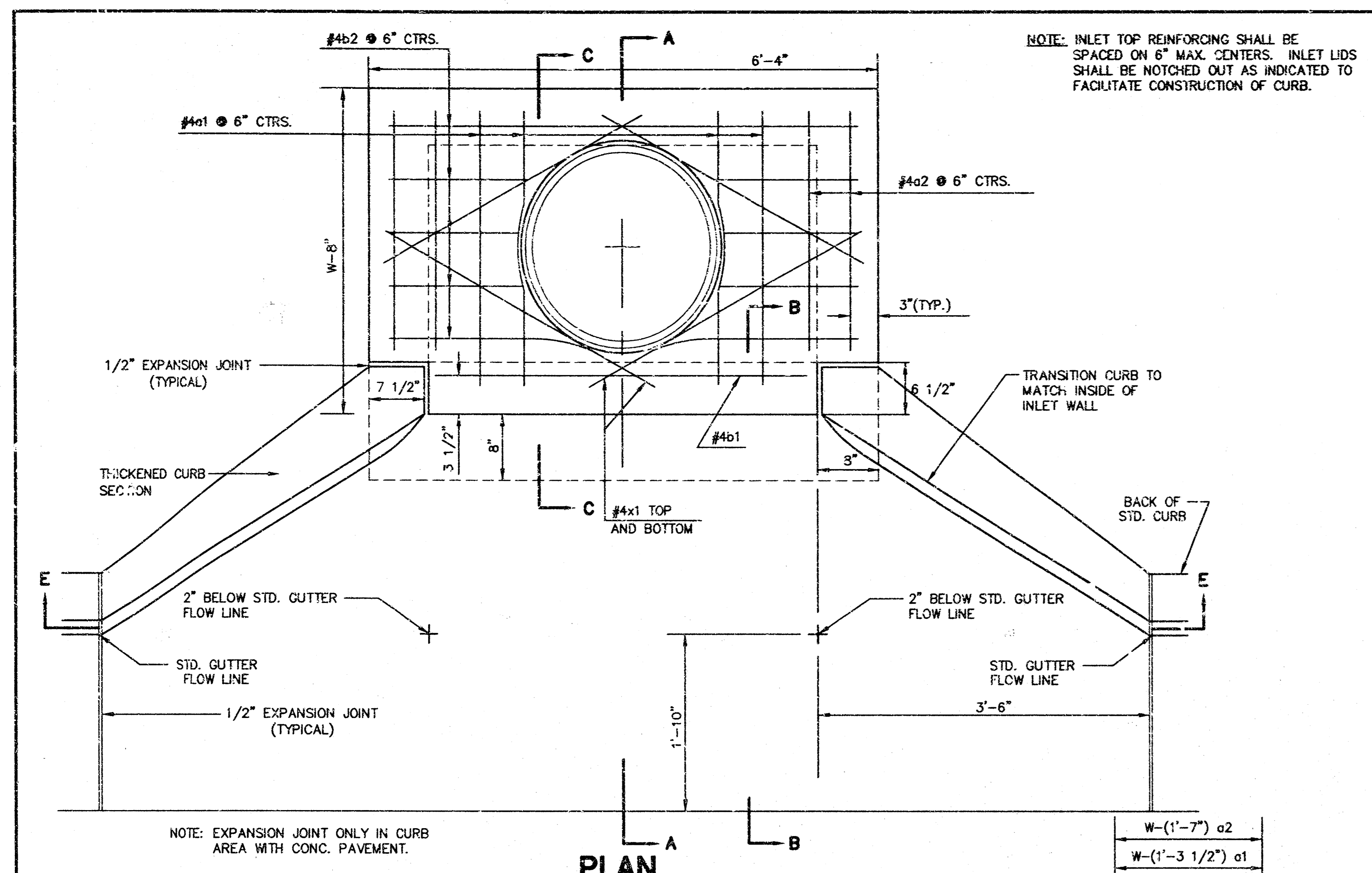


**LOT 13
COMOTARA INDUSTRIAL PARK 2ND ADD.**
PROJECT NAME

STORM WATER SEWER PLANS
SHEET TITLE

DESIGN BY: JTC	DRAWN BY: GJR	CHECKED BY: GJA
DATE: JANUARY 1997	JOB NO.: COMO-IND	SHEET/OF: 1 / 5

MID-KANSAS ENGINEERING CONSULTANTS, INC.
411 N. WEBB ROAD
WICHITA, KS. 67206
316-684-9600

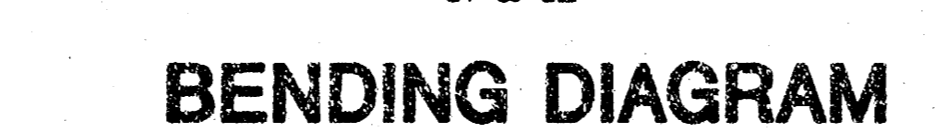


PRECAST SLAB AND FLOOR REINFORCING

MARK	SIZE	W=4'-4"		W=5'-4"		W=6'-4"		W=7'-4"		W=8'-4"	
		NO.	LENGTH	NO.	LENGTH	NO.	LENGTH	NO.	LENGTH	NO.	LENGTH
a1	#4	6	6'-7"	6	8'-7"	6	10'-7"	6	12'-7"	6	14'-7"
a2	#4	4	6'-0"	4	8'-0"	4	10'-0"	4	12'-0"	4	14'-0"
a3	#4	13	4'-1"	13	5'-1"	13	6'-1"	13	7'-1"	13	8'-1"
b1	#4	1	4'-9"	1	4'-9"	1	4'-9"	1	4'-9"	1	4'-9"
b2	#4	23	6'-1"	29	6'-1"	35	6'-1"	41	6'-1"	47	6'-1"
x1	#4	8	3'-10"	8	4'-2"	8	4'-6"	8	4'-10"	8	5'-2"

WALL REINFORCING

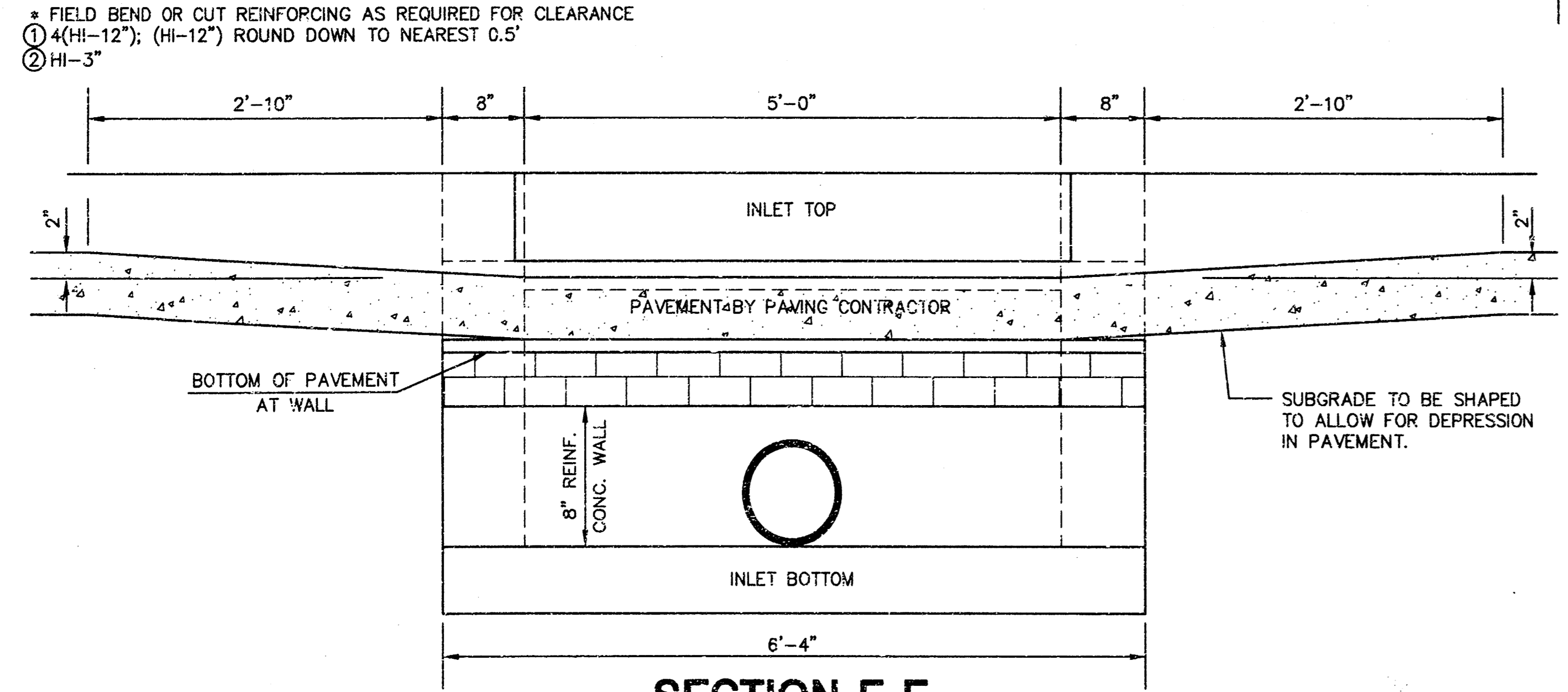
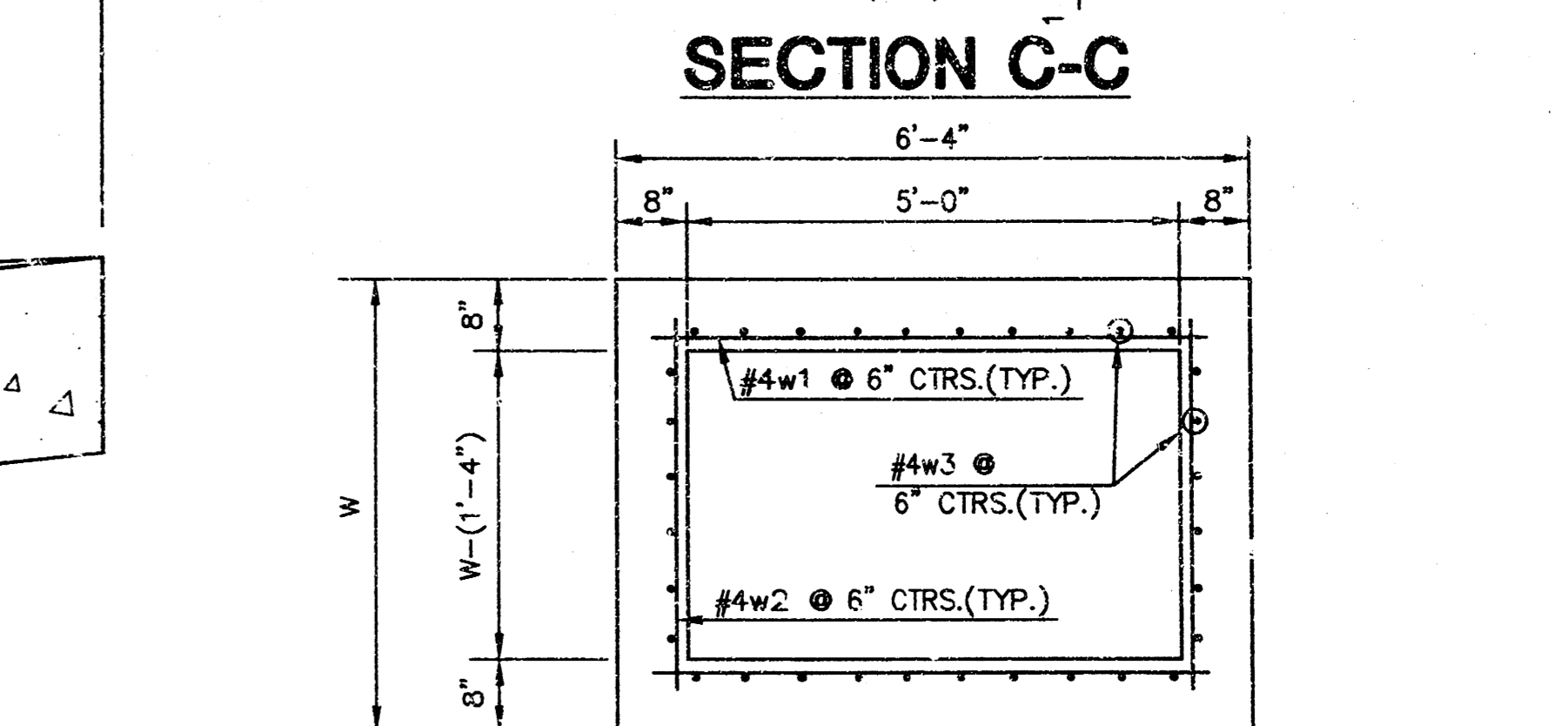
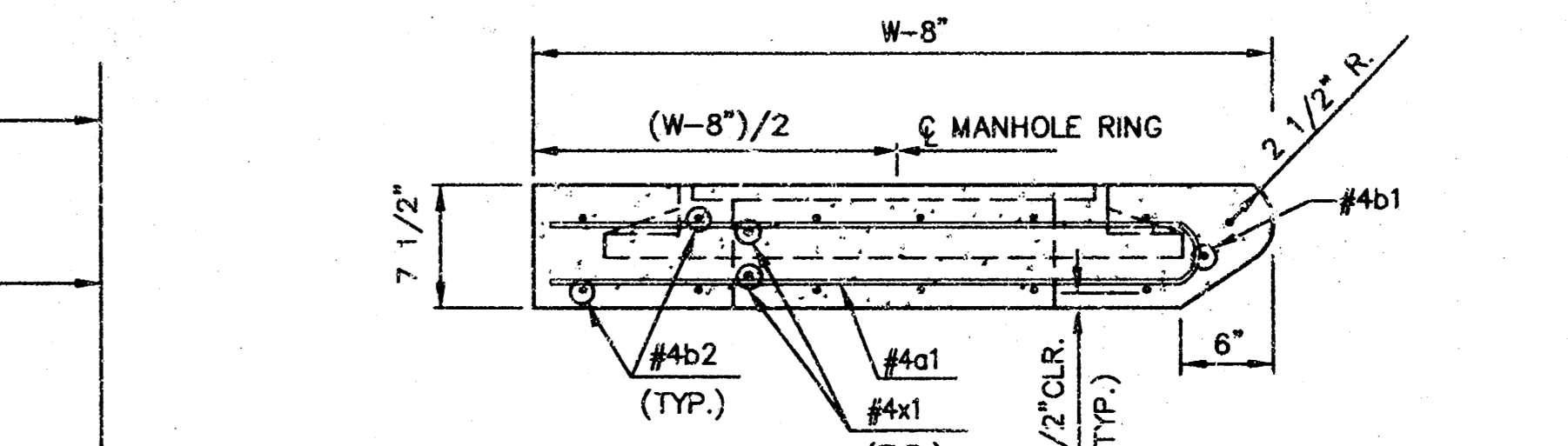
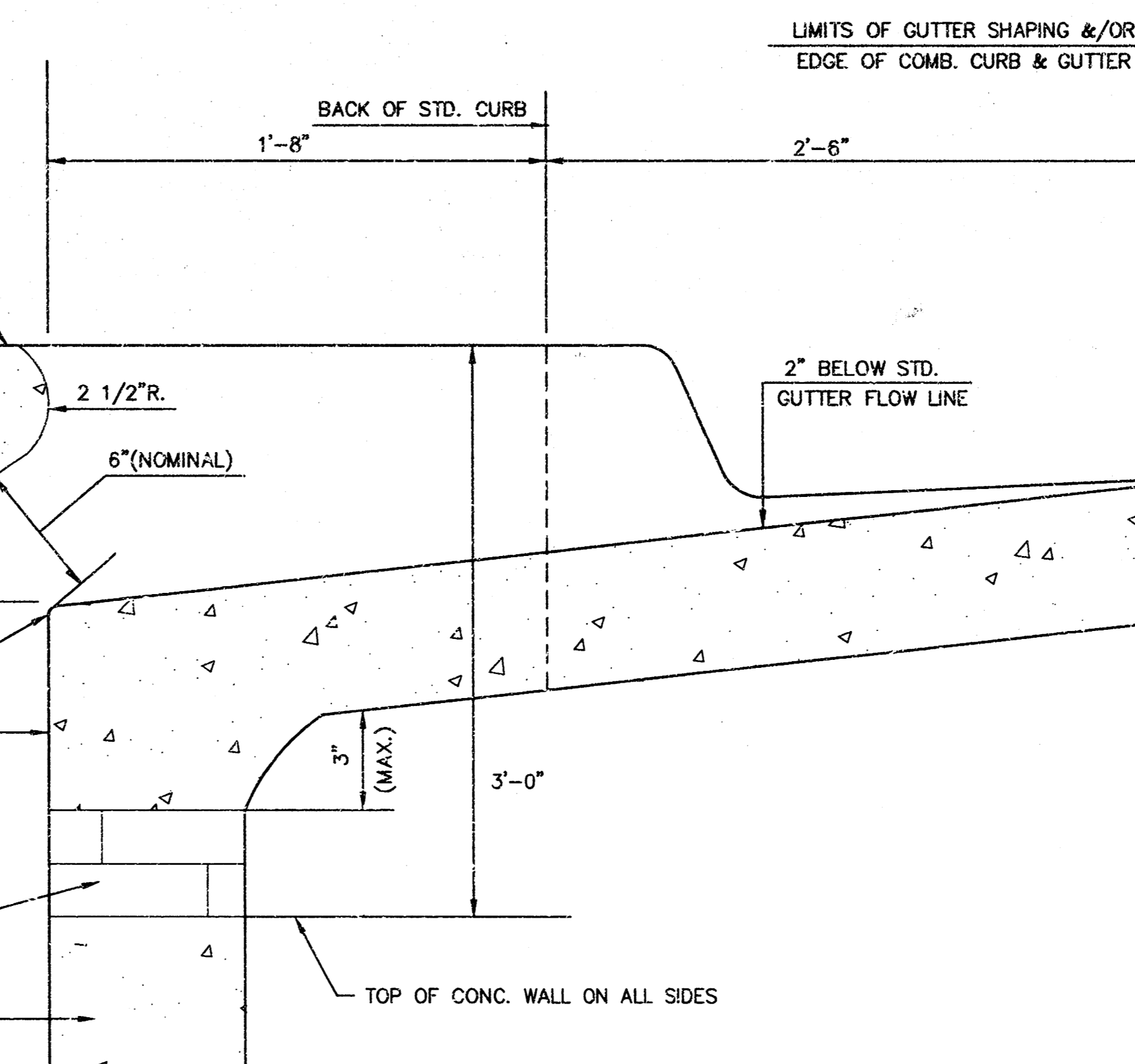
MARK	SIZE	W=4'-4"		W=5'-4"		W=6'-4"		W=7'-4"		W=8'-4"	
		NO.	LENGTH	NO.	LENGTH	NO.	LENGTH	NO.	LENGTH	NO.	LENGTH
w1	#4	①	6'-1"	①	6'-1"	①	6'-1"	①	6'-1"	①	6'-1"
w2	#4	①	4'-1"	①	5'-1"	①	6'-1"	①	7'-1"	①	8'-1"
w3	#4	32	②	36	②	40	②	44	②	48	②



STANDARD CURB INLET PRECAST TOPS

W	PRE-CAST TOP SIZE	PIPE SIZE	CU. YD. CONC.
4'-4"	3'-8"x6'-4"x7 1/2"	21" & SMALLER	0.38±
5'-4"	4'-8"x6'-4"x7 1/2"	24" & 30"	.51±
6'-4"	5'-8"x6'-4"x7 1/2"	36" & 42"	.64±
7'-4"	6'-8"x6'-4"x7 1/2"	48" & 54"	.77±
8'-4"	7'-8"x6'-4"x7 1/2"	60" & 66"	.90±

NOTE: SLOPE OF INLET TOPS TO MATCH SIDEWALK OR PARKING SLOPES WITHIN LIMITS INDICATED.



SECTION B-B

SECTION D-D

SECTION E-E

LOT 13 COMOTARA INDUSTRIAL PARK 2ND ADD.
PROJECT NAME

STANDARD TYPE 1-A CURB INLET
SHEET TITLE

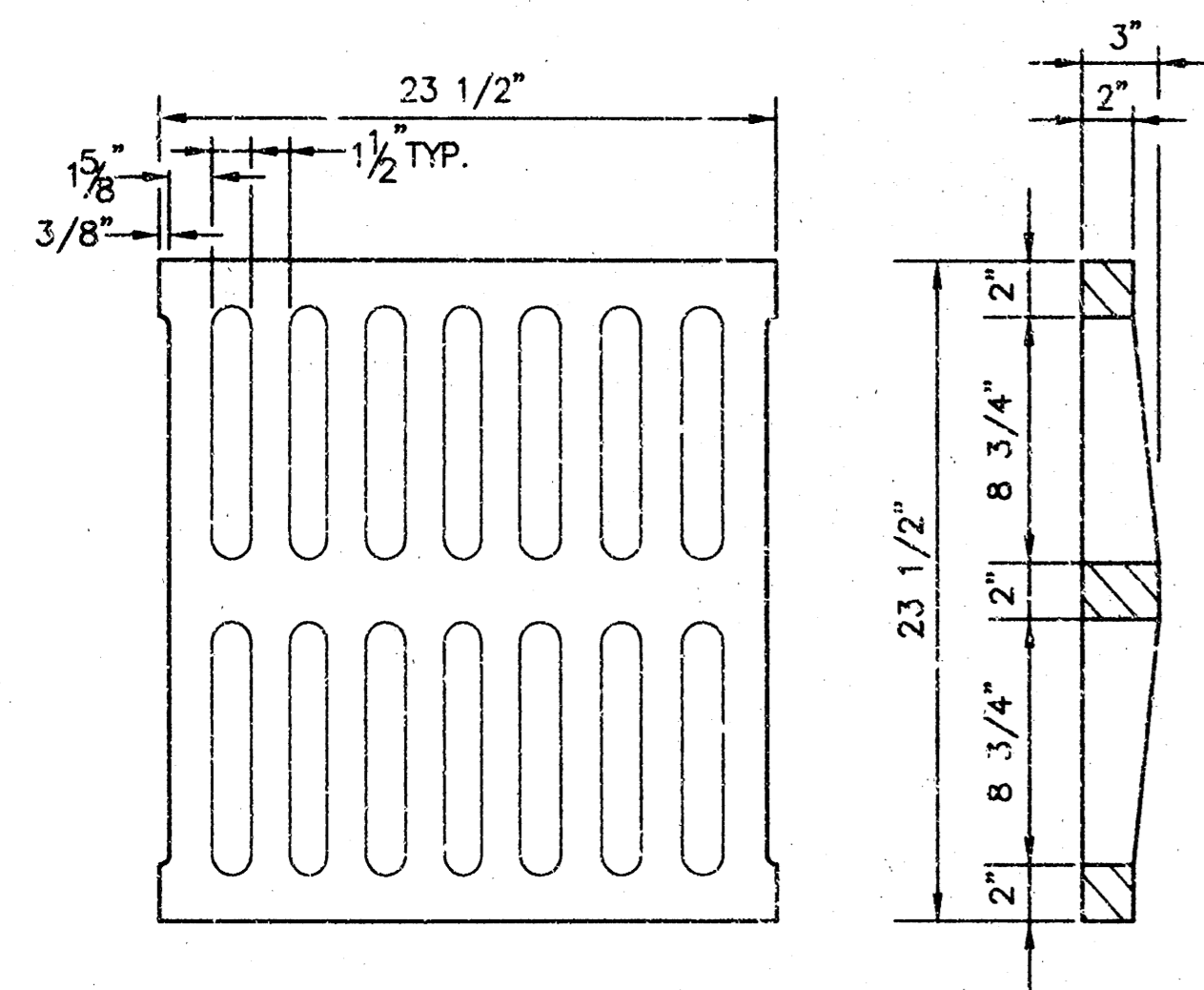
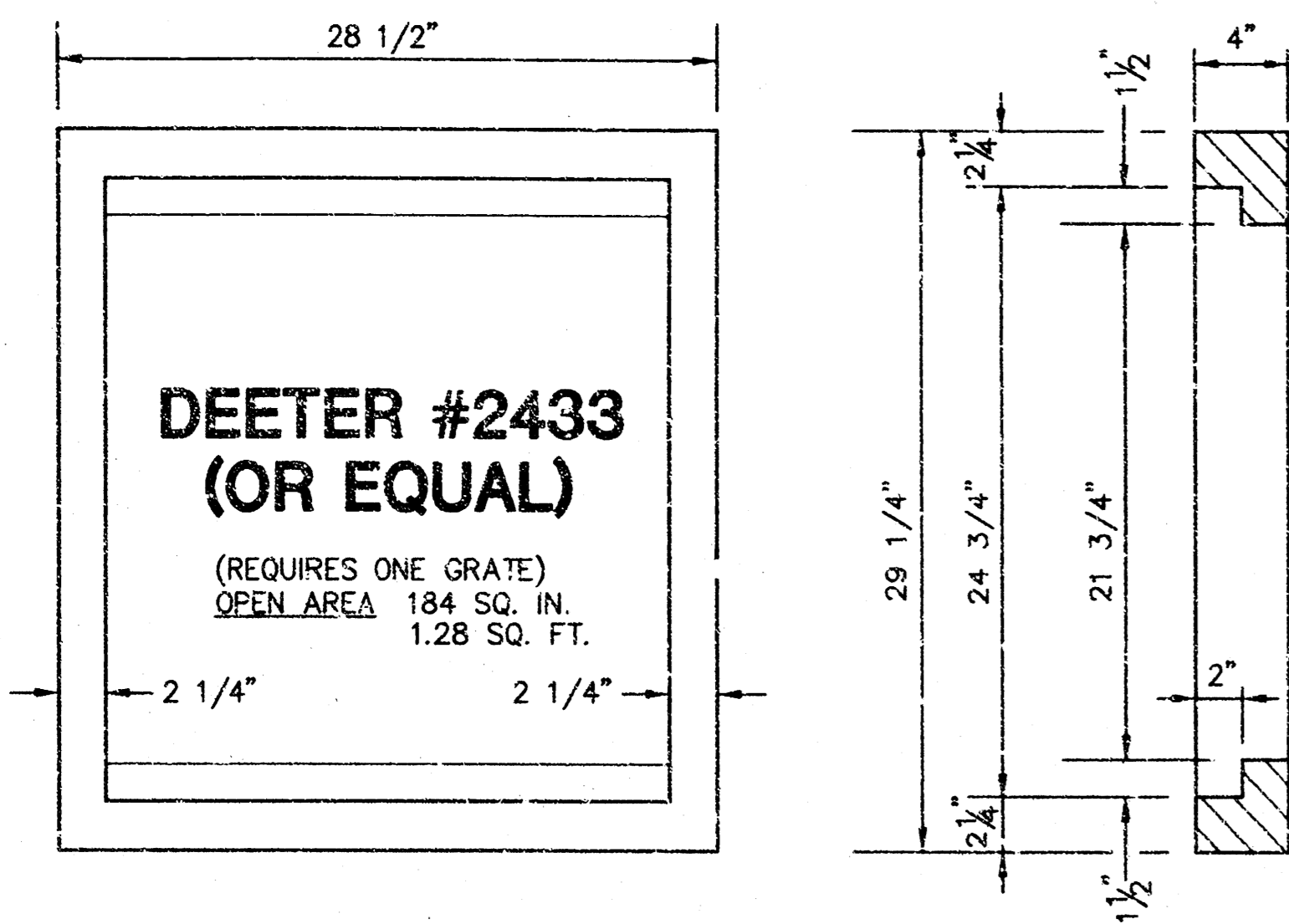
MID-KANSAS ENGINEERING CONSULTANTS, INC.
411 N. WEBB ROAD
WICHITA, KS. 67206
316-684-9600

C.O.W. DESIGN BY.
M.K.E.C. DRAWN BY.
G.J.A. CHECKED BY.

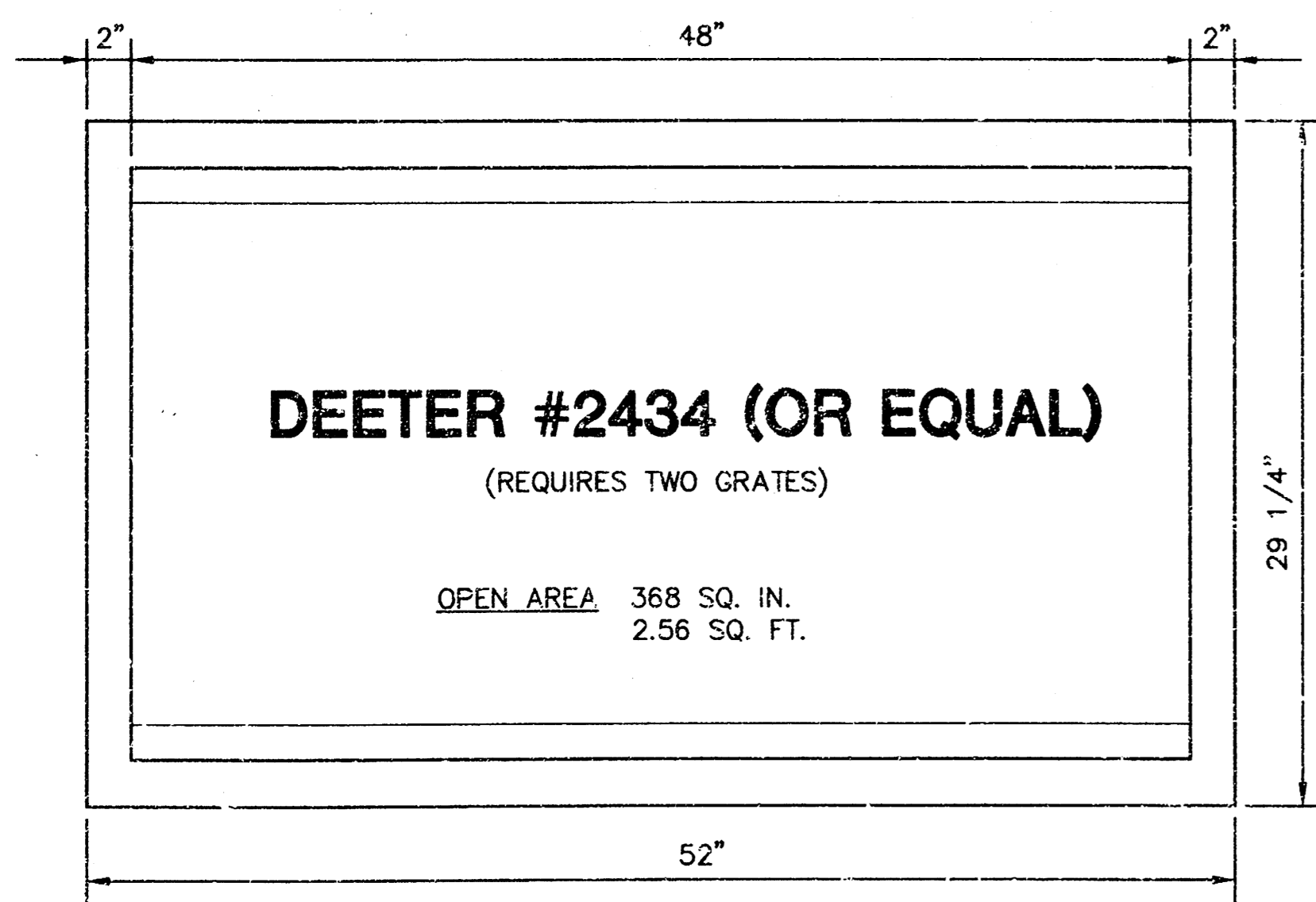
JANUARY 1997 DATE
COMO-IND. JOB NO.
2 / 5 SHEET OF

1 FEB 14 11 02:43 1997

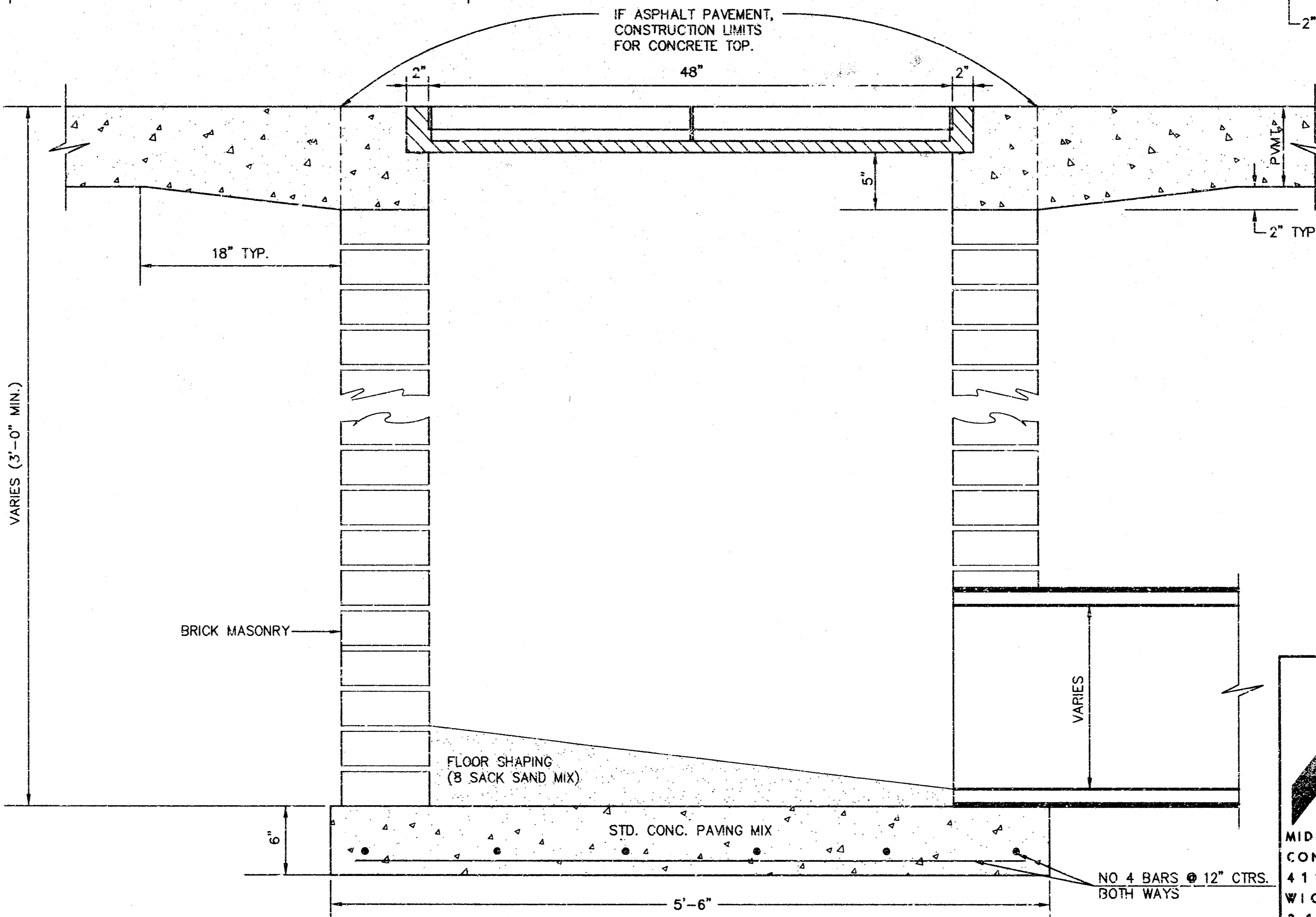
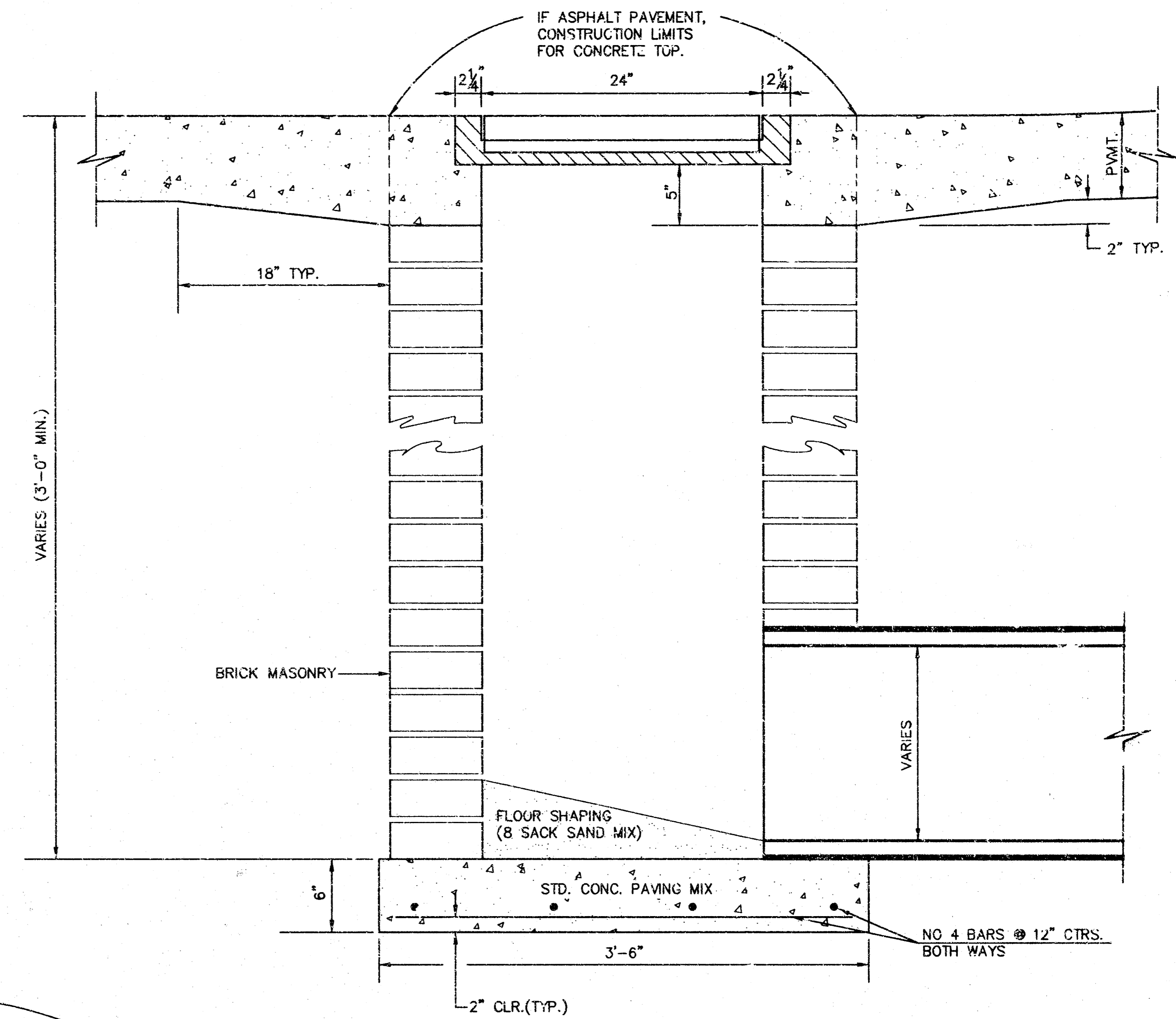
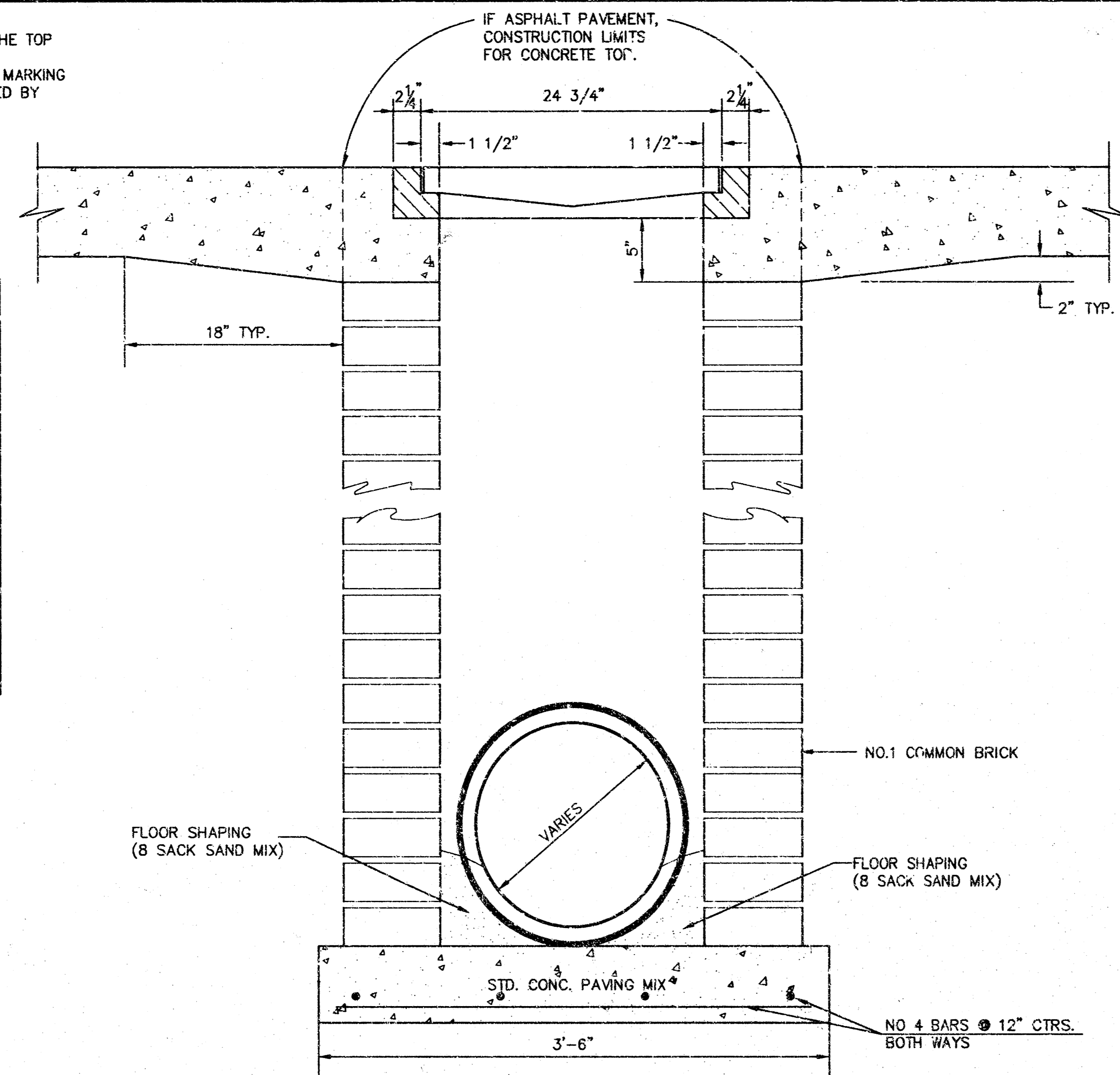
NOTE: GRATES SHALL BE IMPRINTED ON THE TOP SURFACE WITH "CITY OF WICHITA" USING LETTERS AT LEAST 1" IN HEIGHT. OTHER MARKING METHODS MAY BE USED ONLY IF APPROVED BY THE ENGINEER.



GRATE
24"x24" FRAME & GRATE DETAIL



DOUBLE 24"x24" FRAME DETAIL



ORIFICE EQUATION		
$Q = C \cdot A \cdot \sqrt{2gh}$ C=0.60		
h (DEPTH)	#2433 (SINGLE)	#2434 (DOUBLE)
0.1	1.95 cfs	3.89 cfs
0.2	2.75 cfs	5.50 cfs
0.3	3.37 cfs	6.74 cfs
0.4	3.89 cfs	7.78 cfs
0.5	4.35 cfs	8.70 cfs
0.6	4.77 cfs	9.53 cfs
0.7	5.15 cfs	10.30 cfs
0.8	5.50 cfs	11.01 cfs
0.9	5.84 cfs	11.67 cfs
1.0	6.15 cfs	12.30 cfs



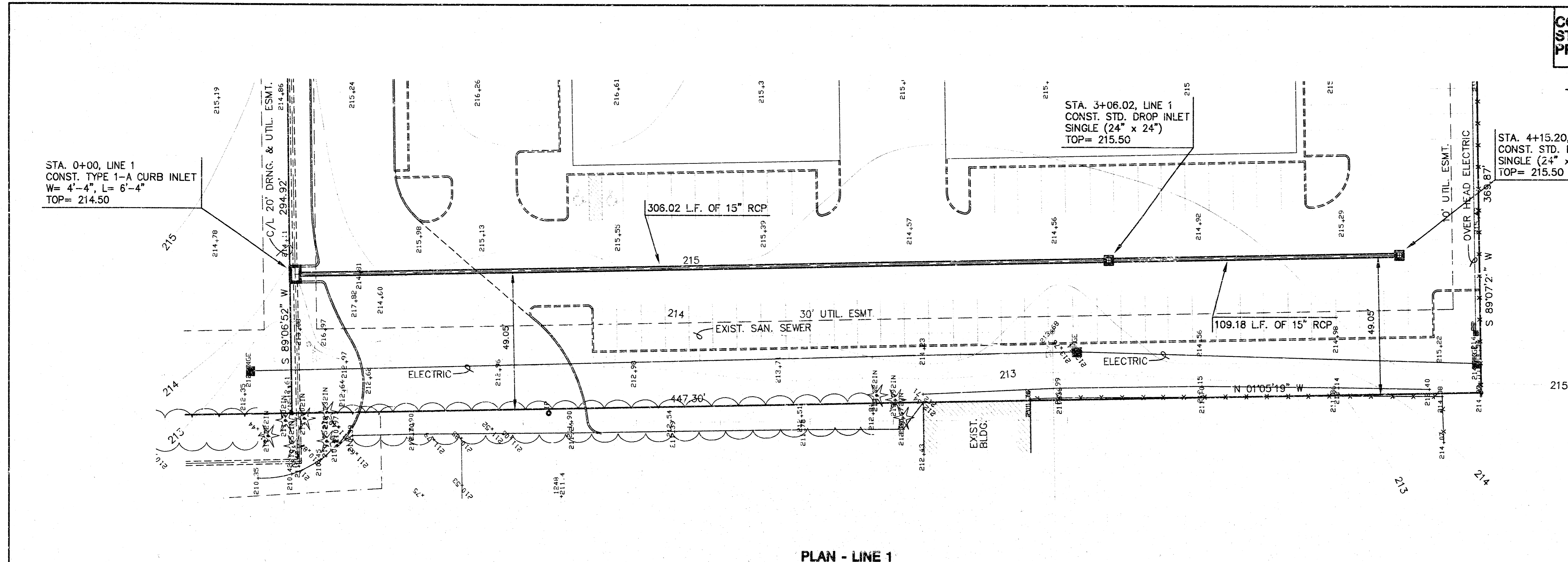
MID-KANSAS ENGINEERING
CONSULTANTS, INC.
411 N. WEBB ROAD
WICHITA, KS. 67206
316-684-9600

LOT 13
COMOTARA INDUSTRIAL PARK 2ND ADD.
PROJECT NAME

STANDARD DROP INLET
SHEET TITLE

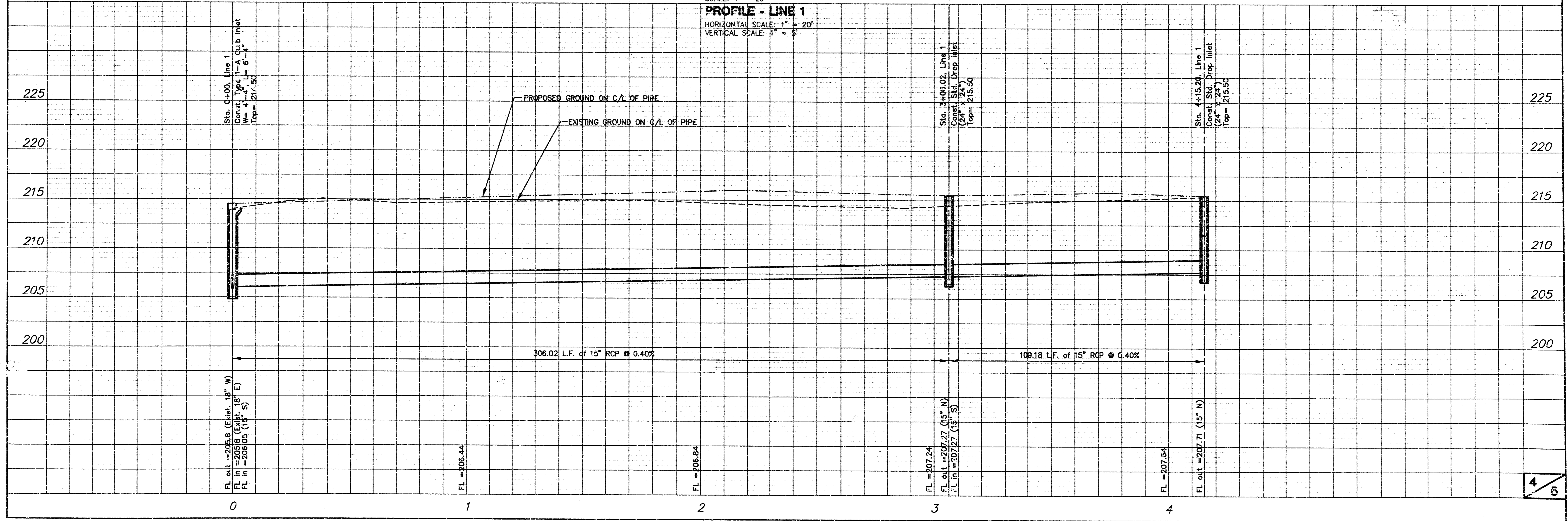
C.O.W. DESIGN BY: M.K.E.C. DRAWN BY: GJA CHECKED BY:
JANUARY 1997 DATE: COMO-IND. JOB NO. 3 / 5 SHEET/07

**COMOTARA IND. PARK 2ND ADD.
STORM WATER SEWER
PRIVATE PROJECT- 688 PPS**



PLAN - LINE 1
SCALE: 1" = 20'

PROFILE - LINE 1
HORIZONTAL SCALE: 1" = 20'
VERTICAL SCALE: 1" = 5'



02 Feb 14 11:01:31 1997

