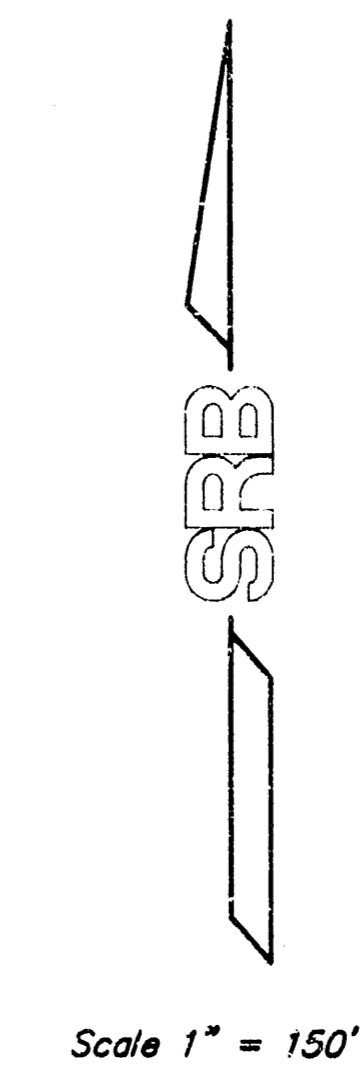
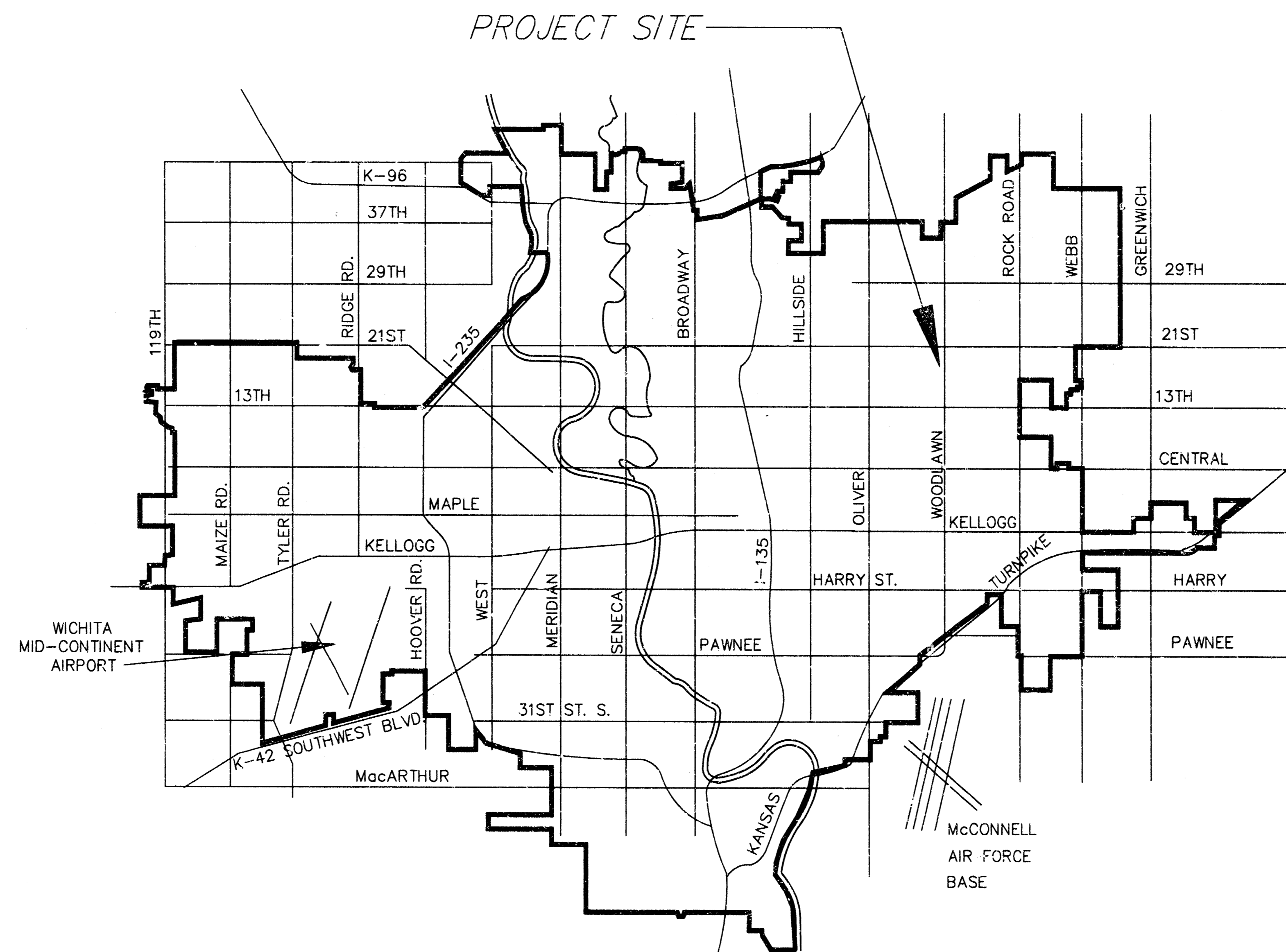


PRIVATE STORM SEWER TO SERVE
FIRST EVANGELICAL FREE CHURCH
 LOT 1, EV. FREE CHURCH ADDITION
 PRIVATE STORM SEWER # 729PPS
 INDEX CODE 607861

GENERAL NOTES

1. All work on this project shall conform to City of Wichita Standard Specifications for storm sewers and drainage.
2. The Contractor shall give all property owners and/or tenants of developed property directly abutting the construction of this project a minimum of ten (10) days advance notice prior to start of construction.
3. Only active building drain lines which connect actual buildings to the storm sewer system are to be reconnected to the new storm sewer construction. Building drain lines and/or connections which have been abandoned are not to be reconnected to the new storm sewer construction. It will be the sole responsibility of the Contractor to ascertain which such building drain lines and/or connections are active and which such drains and/or connections have been abandoned. All work involved with building drain line construction and/or building drain line connections shall conform to the applicable sections of the City of Wichita Code.
6. New roof drains to be connected to the storm sewer will require permits from the Office of Central Inspection.
5. Traffic will not be affected by construction on this project.
6. All off-site areas disturbed by storm sewer construction shall be restored in accordance with City of Wichita Administrative Regulation AR78.
7. Contractor shall be responsible for cost and arrangements for relocating KGE pole anchor.



INDEX OF SHEETS

- | | |
|----|-----------------------------------|
| 1. | TITLE SHEET |
| 2. | STORM SEWER PLAN AND PROFILE |
| 3. | SHALLOW MANHOLES TYPE "D" AND "C" |
| 4. | DROP INLET 2'x2'x4" |

BENCH MARKS

□ * CUT ON EAST TOP OF CURB HOMESTEAD,
 3± NORTH OF SOUTH LINE EV. FREE PROPERTY,
 ELEV. 217.10

BOOKET
 3-21-97
 M. L.
 D-2536

APPROVED AS NOTED
 BY CITY ENGINEER OF WICHITA

Sanitary Sewers _____

Storm Sewers URH 8/1/97

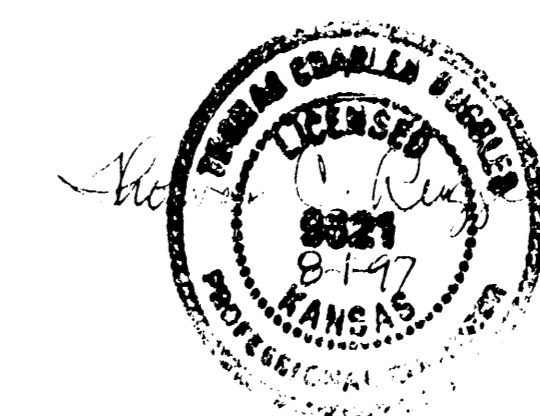
Driveway Approaches _____

Water Mains _____

Paving _____

NOTE TO CONTRACTORS

Inspection and testing for this project are to be provided by a Licensed Consulting Engineering Firm under contract with the Owner/Developer. Said inspection to be in accordance with the City of Wichita standard construction engineering practices and certified by a Licensed Professional Engineer. No work shall be performed in dedicated easements or public right-of-way by the Contractor without such inspection, nor shall any work be commenced without written authorization by the City Engineer.

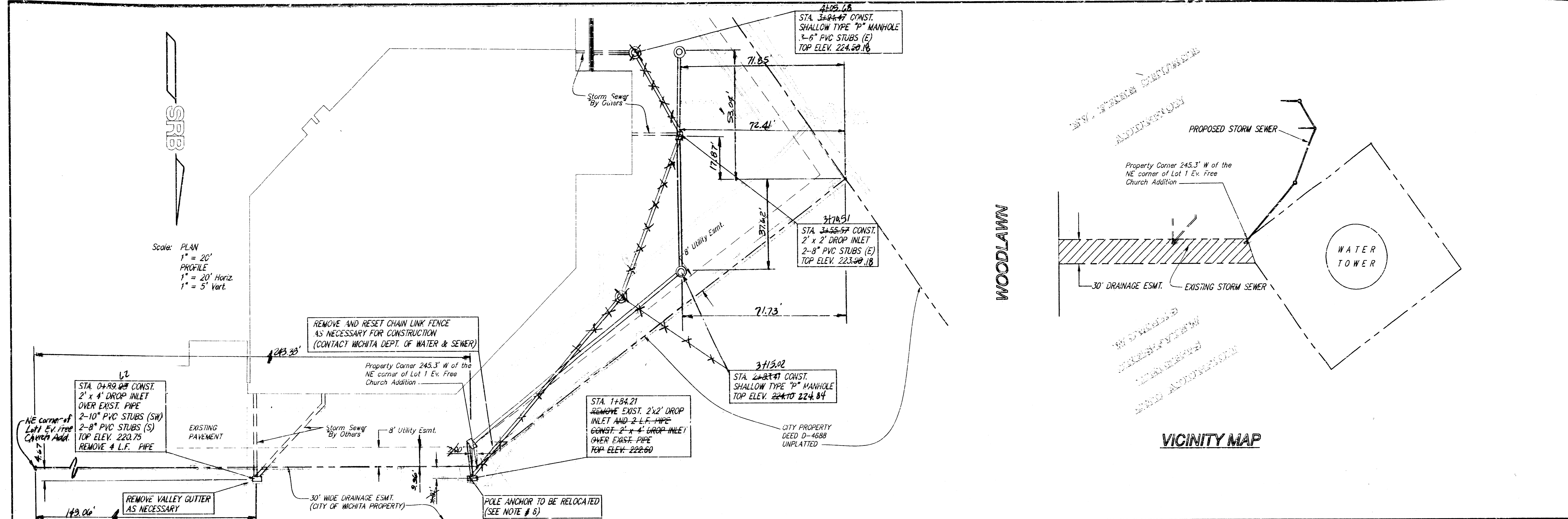


CITY OF WICHITA, KANSAS
MICHAEL E. LINDEBAK - CITY ENGINEER

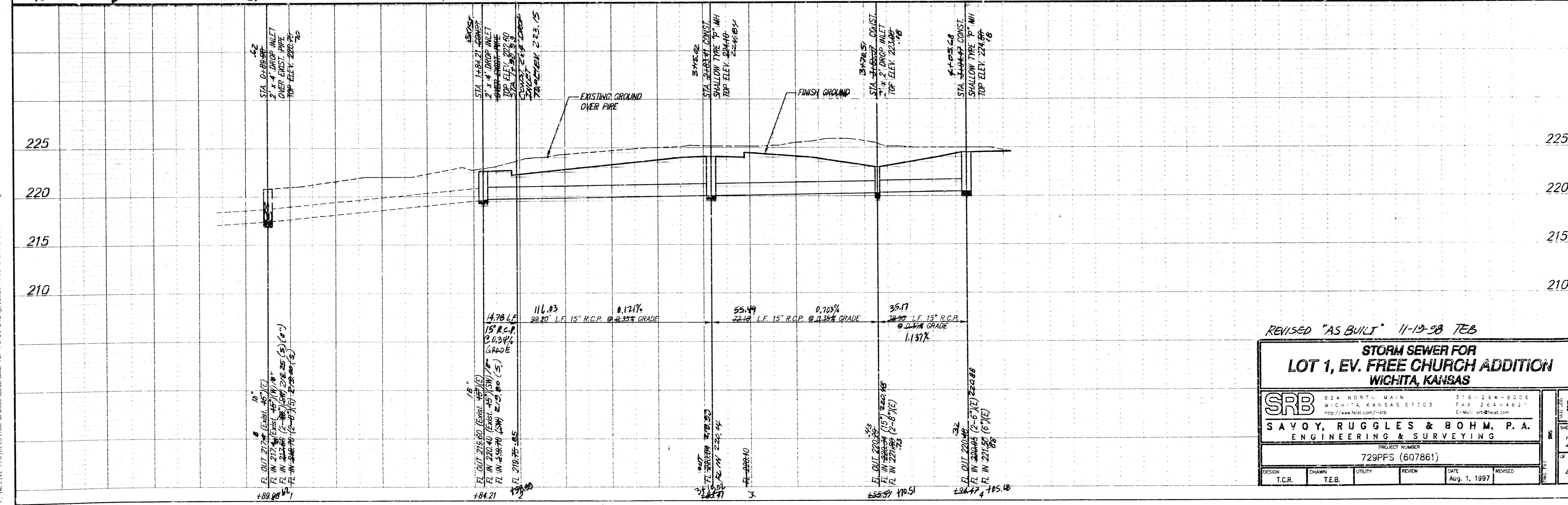
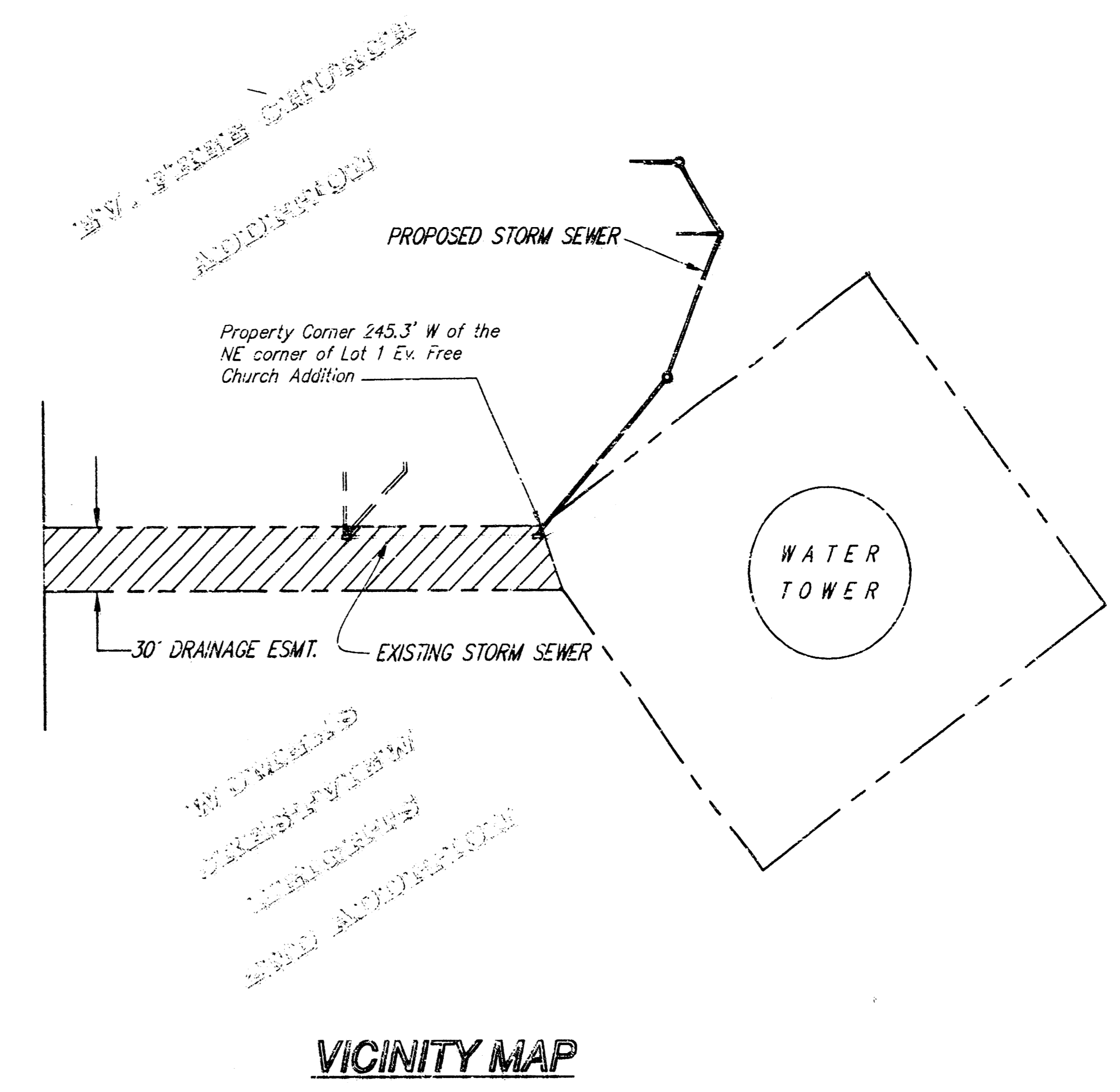
Revised "As Built" 11/19/98 TEB

SRB 824 NORTH MAIN 316-264-8008
 WICHITA, KANSAS 67201 FAX 316-264-4625
 http://www.srb.com/srb E-mail: srb@srbc.com

SAVOY, RUGGLES & BOHM, P. A.
 ENGINEERING & SURVEYING



Scale: PLAN
 1" = 20'
 PROFILE
 1" = 20' Horiz
 1" = 5' Vert.



REVISED "AS BUILT" 11-13-98 TEB

STORM SEWER FOR LOT 1, EV. FREE CHURCH ADDITION WICHITA, KANSAS

SRB 924 NORTH MAIN WICHITA, KANSAS 67203 376-284-8008 FAX 376-4462 http://www.teb.com/~teb

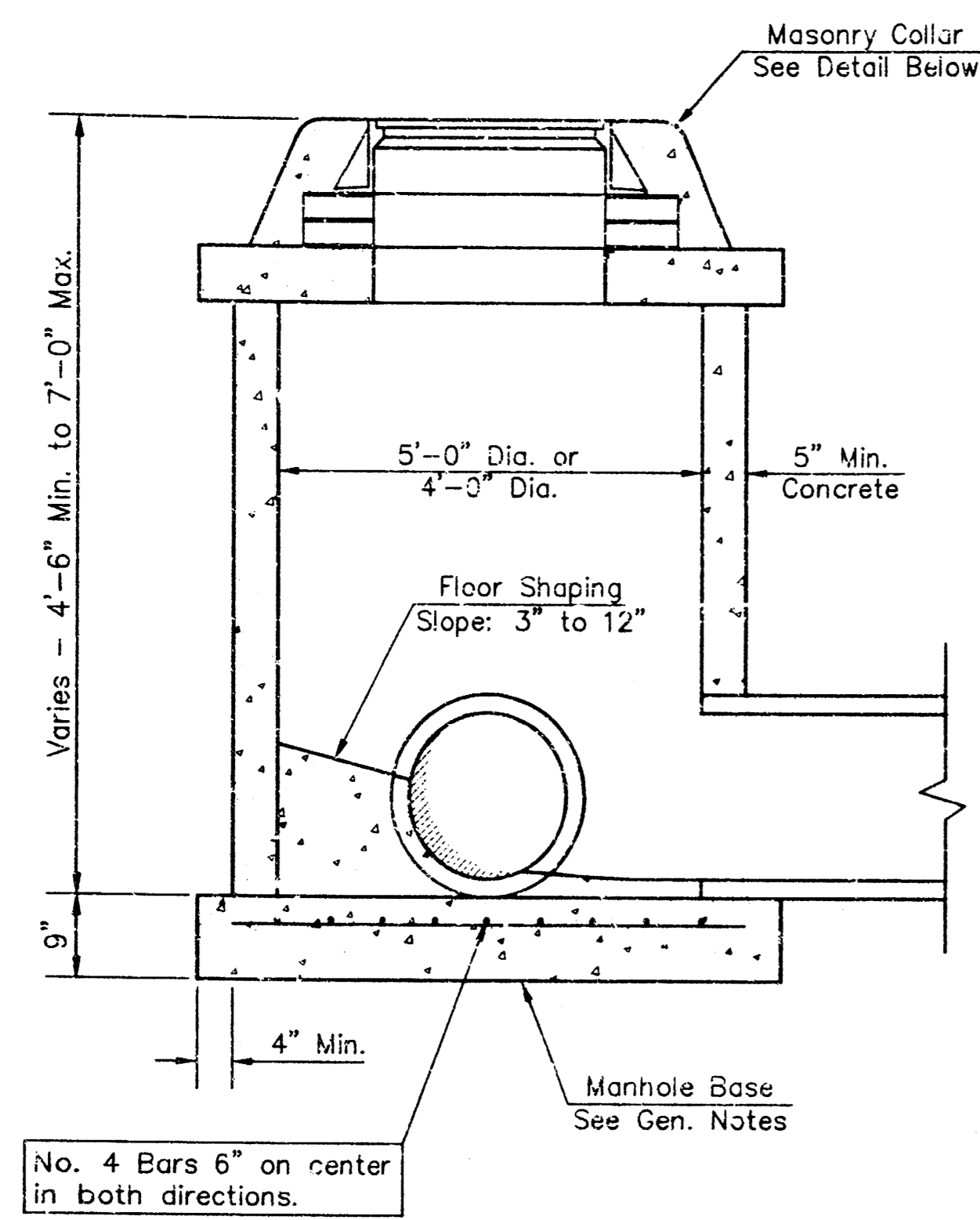
SAVOY, RUGGLES & BOHM, P. A. ENGINEERING & SURVEYING

PROJECT NUMBER 729PPS (607861)

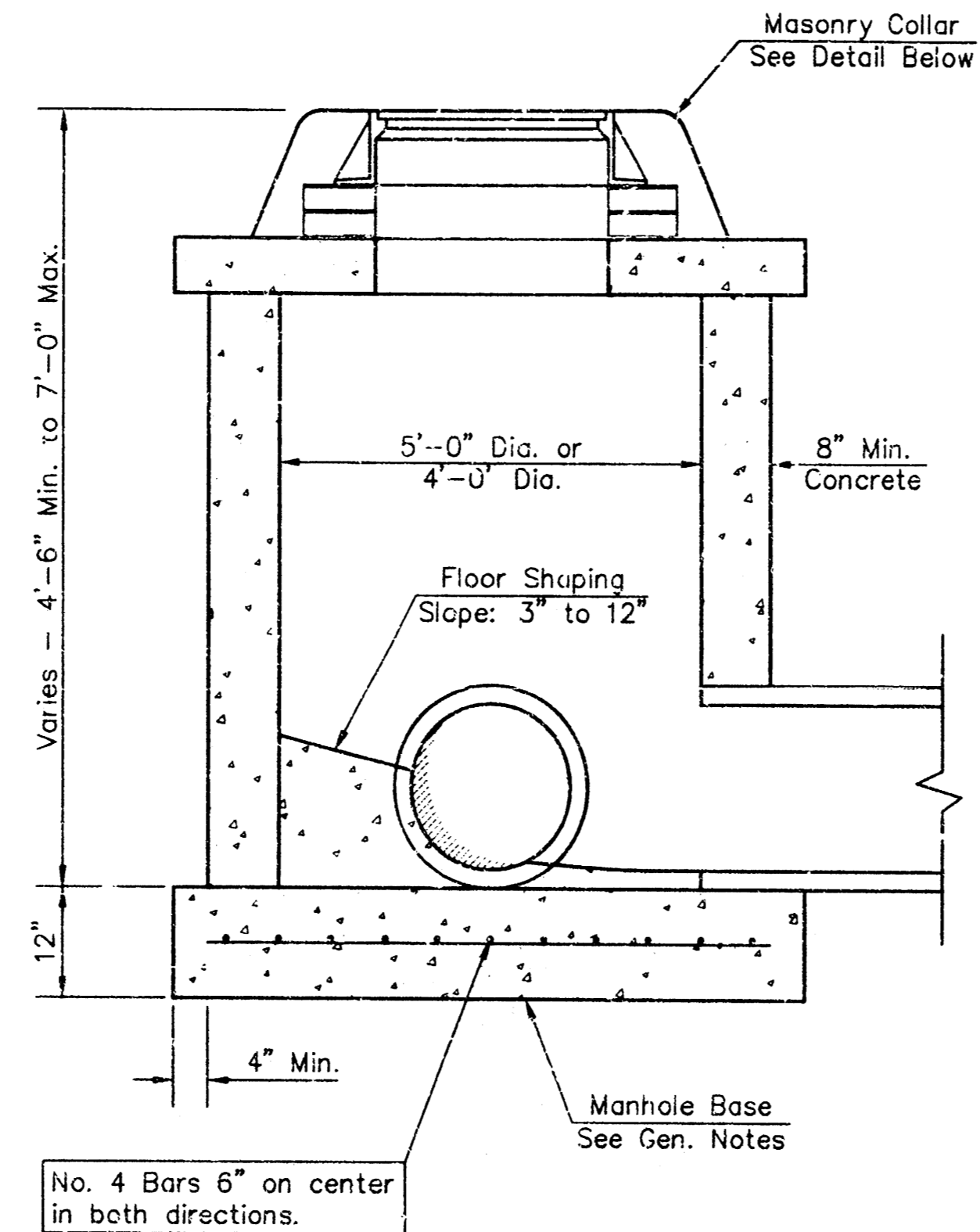
DESIGN	DRAWN	UTILITY	REVIEW	DATE	REVISED
T.C.R.	T.E.B.			Aug. 1, 1997	

SHEET 2 OF 4

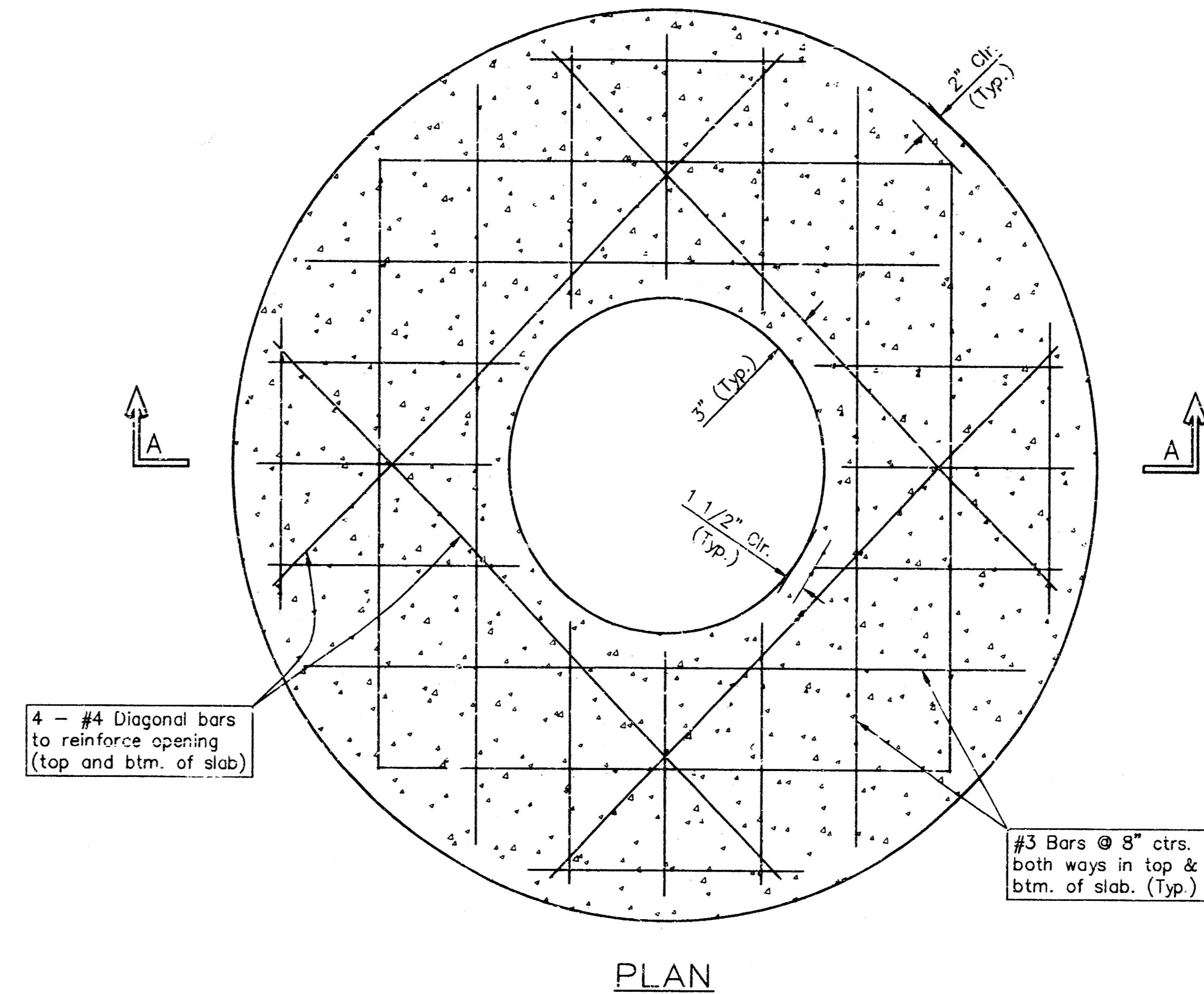
F:\Active Projects\Van Brooks\BROD (SRB) for First Evangelical Free Church\SWR Fl Aug 01 16:33 01 1997 TEB



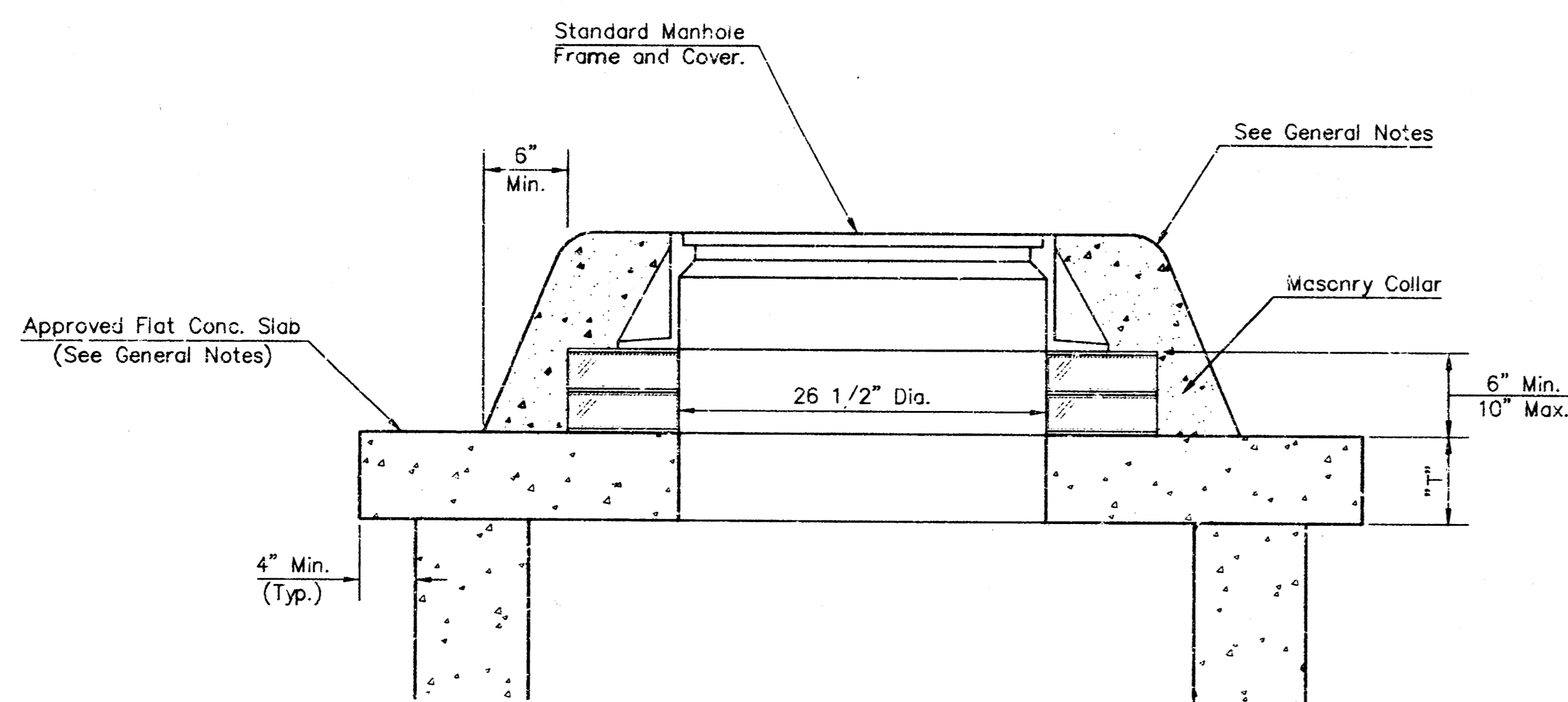
SHALLOW TYPE "P" MANHOLE



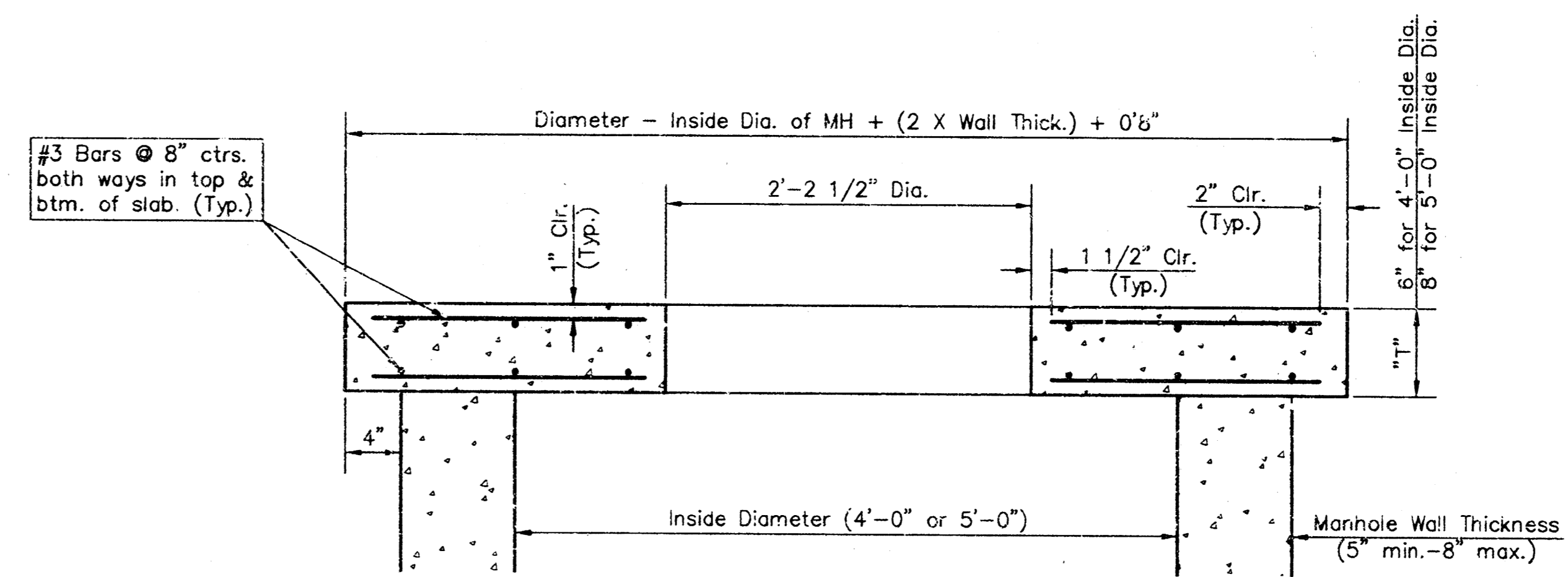
SHALLOW TYPE "C" MANHOLE



PLAN



MASONRY COLLAR DETAIL



SECTION A-A

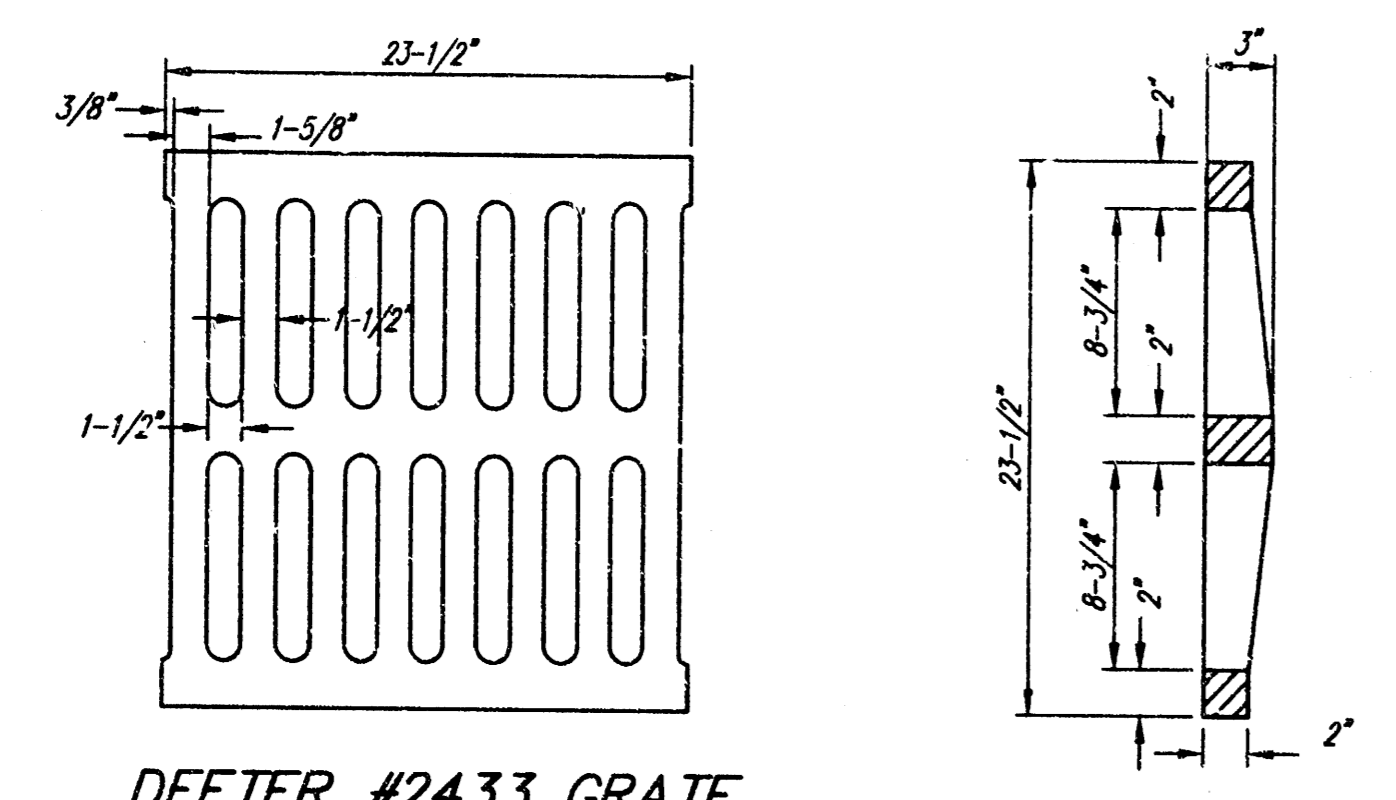
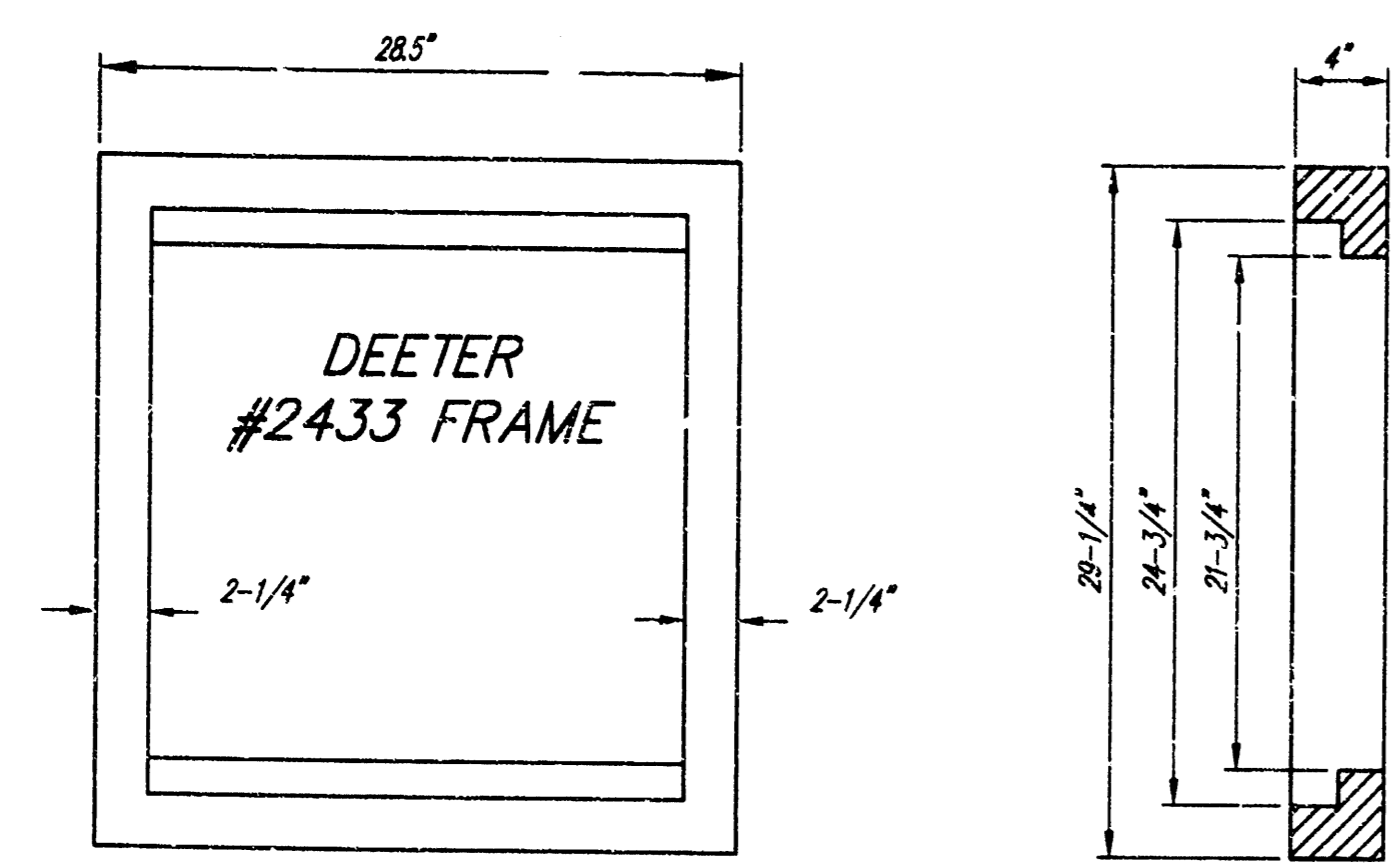
FLAT CONCRETE SLAB DETAILS

GENERAL NOTES

- Mortar used in masonry construction shall contain 8 sacks of cement per cubic yard. Concrete used in manhole bases shall conform to the requirements of concrete for concrete pavement construction as specified in the city standard paving specifications using city concrete cement mix without air entraining admixture. Mortar shall be placed around the manhole ring as shown on the drawings when manholes are constructed in unpaved areas. Manholes constructed where pipe sizes are smaller than 24" shall have an inside diameter of 4". Manholes constructed where pipe sizes are 24" or larger shall have an inside diameter of 5". Completed manhole shall be without leaks and water tight.
- Reinforcing steel shall be installed in the manhole bases and shall consist of no. 4 bars placed on 6" centers in both directions. The manhole base reinforcement shall be placed 6" above the bottom of the manhole base. All costs for furnishing and installing reinforcing steel shall be included in the unit price bid for the manhole.
- The floors of all manholes shall be shaped with flow channels such that the manholes will be self cleaning and free of areas where solids could be deposited as sewage flows through the manhole from all inlet pipes to the outlet pipe. Flow channels shall be formed to match the bottom halves of the inflowing pipes and the outflowing pipe as shown by the drawings. Manhole floors shall have slopes of 3 inches per foot in the areas outside of the flow channels sloped toward the flow channels. Pipes laid through manholes shall have the top half removed to neat lines for the full inside diameter of the manhole. Manhole floors shall then be shaped around the bottom half of the pipe which forms the flow channel.
- Pipes installed within the excavation made for the manhole shall be cradled with concrete to the limits of the manhole excavation. When clay pipe is used, the cradle shall extend to the first joint outside the manhole. The cradle shall be terminated at the clay pipe joint in a manner which will maintain the flexibility of the joint. Cost of cradle within manhole excavation or to clay pipe joints adjacent to manhole shall be included in the unit price bid for the manhole.
- Manhole cover coatings and manhole frame coatings shall conform to the requirements as indicated in the standard specifications and as shown in the standard detail drawings.
- The crowns of inflowing pipes shall never be set lower than the crown of the outflowing pipe.
- Standard shallow manholes type "P" and "C" shall be paid for at the unit price bid per each for the type and diameter indicated. All standard shallow manhole diameters will be 4' unless indicated otherwise.
- All brick used in manhole construction shall meet Grade SW of ASTM C652 or C62-87.

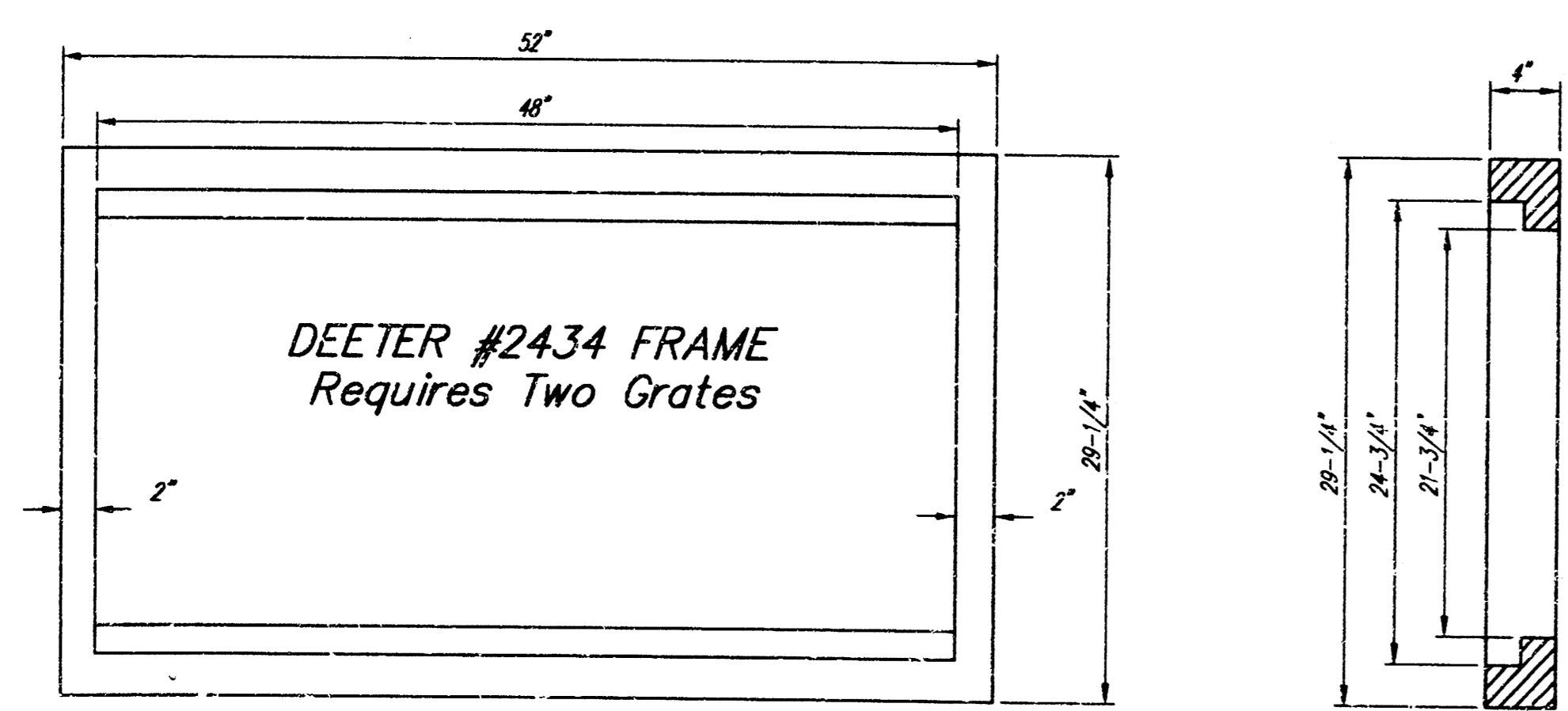
F:\ACTIVE PROJECTS\Tom Brooks\9200\9200 SMS for FPSH Exchange\101: Free Church\X:\COM\Shallow Type P Manhole Tue Jul 29 16:22:59 1997 TEB

<p>THE CITY OF WICHITA</p> <p>CITY ENGINEER'S OFFICE CITY HALL - SEVENTH FLOOR 455 NORTH MAIN STREET WICHITA, KANSAS 67202 (316) 266-4501 (316) 266-4114 FAX</p>	SHALLOW MANHOLES TYPE 'P' AND 'C'	
	M. E. LINDEBAK P.E. - CITY ENGINEER	
	PROJECT NUMBER 729 PPS	INVENTORY CODE 607861
	DATE MAR 96	SHEET 3 OF 4

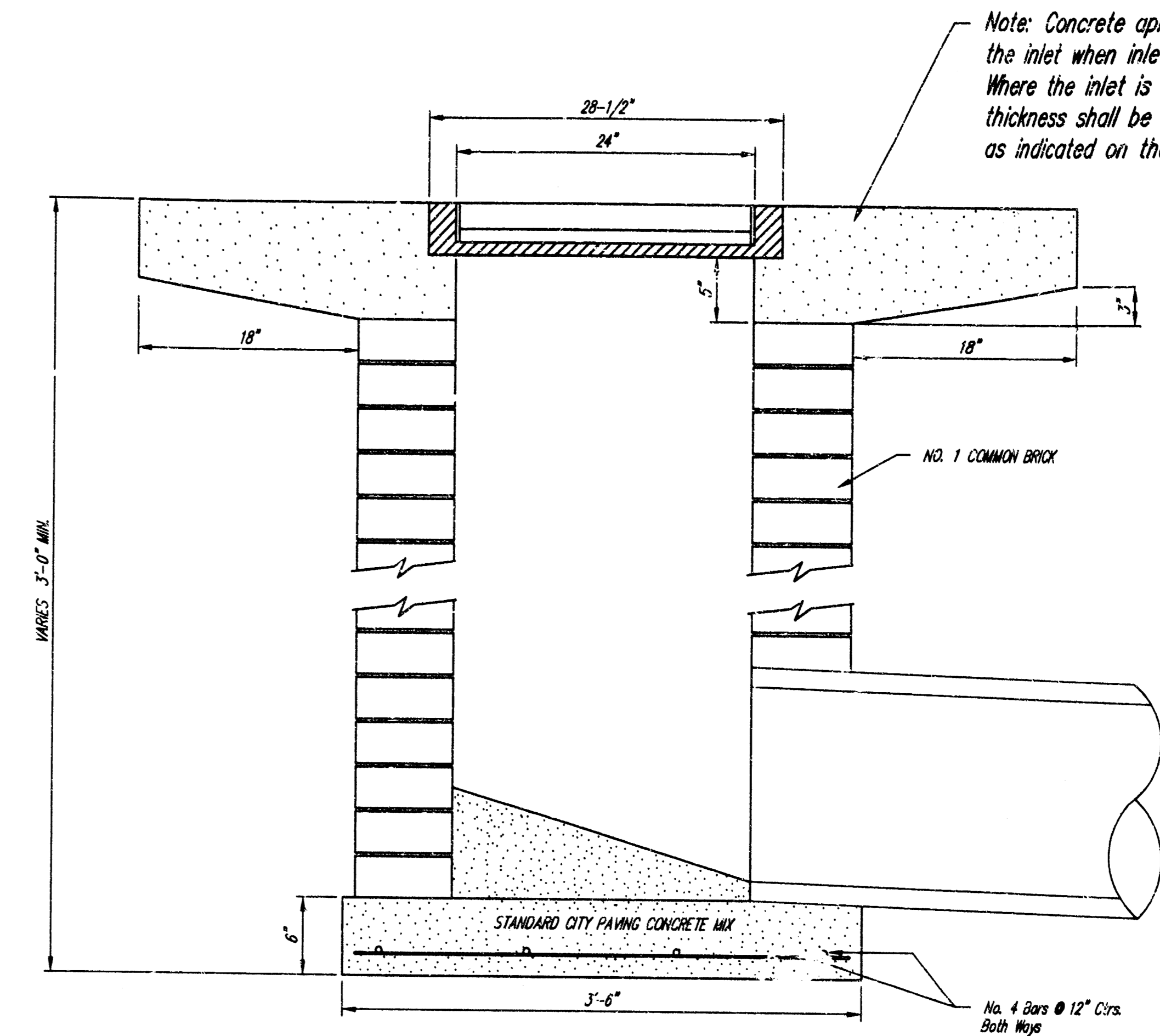
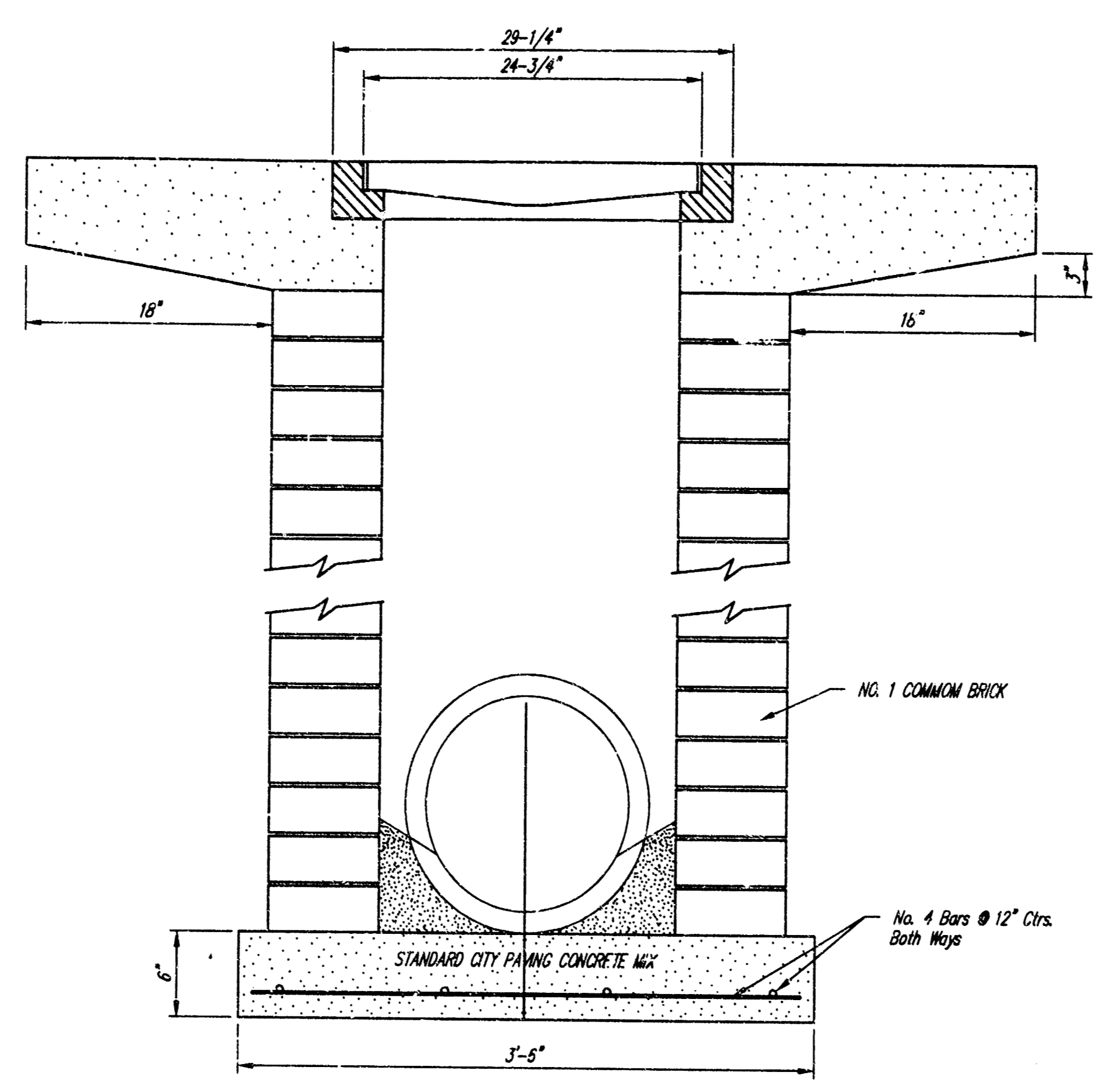


NOTE: Grates shall be imprinted on the top surface with "CITY OF WICHITA" using letters at least 1" in height. Other marking methods may be approved by the engineer.

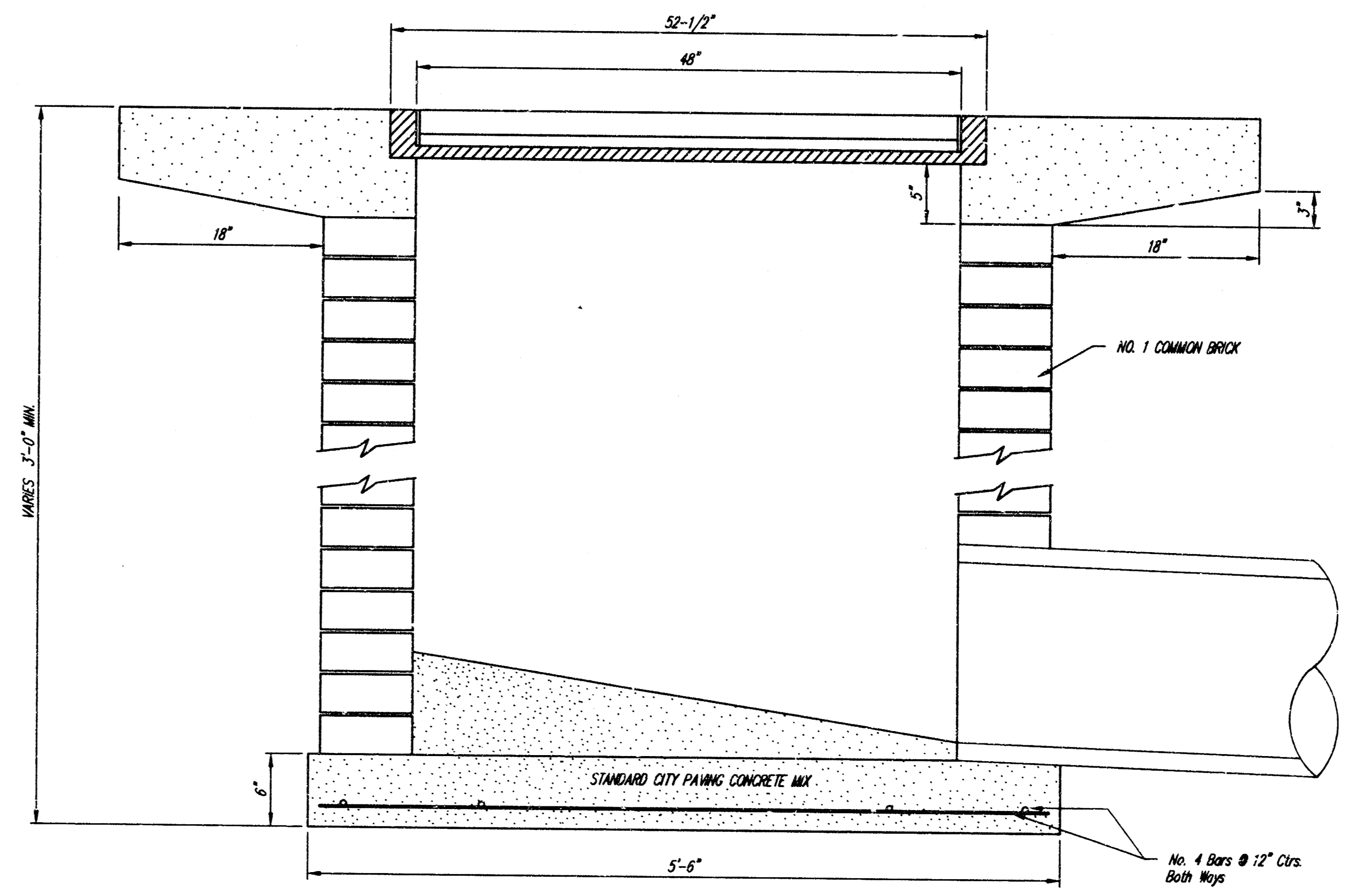
24" x 24" Frame and Grate Detail



Double 24" x 24" Frame Detail



Note: Concrete apron shall be constructed around the inlet when inlet is located in an unpaved area. Where the inlet is adjacent to pavement, the pavement thickness shall be tapered to the inlet in 18 inches as indicated on the detail.



THE CITY OF WICHITA

 CITY ENGINEER'S OFFICE
 CITY HALL - SEVENTH FLOOR
 400 NORTH MAIN STREET
 WICHITA, KANSAS 67202
 (316) 268-4001
 (316) 268-4114 Fax

DROP INLET 2'x2' / 2'x4'	
M. E. LINDEBAK P.E. - CITY ENGINEER	
PROJECT NUMBER 729 PPS	INDEX CODE 607861
DATE MAR 96	SHEET 4 OF 4

F:\Active Projects\Tom Brooks\B200\GIS for First Evangelical Free Church\X\DWI Drop Inlet Details Tue Jul 29 16:21:46 1997 TEB