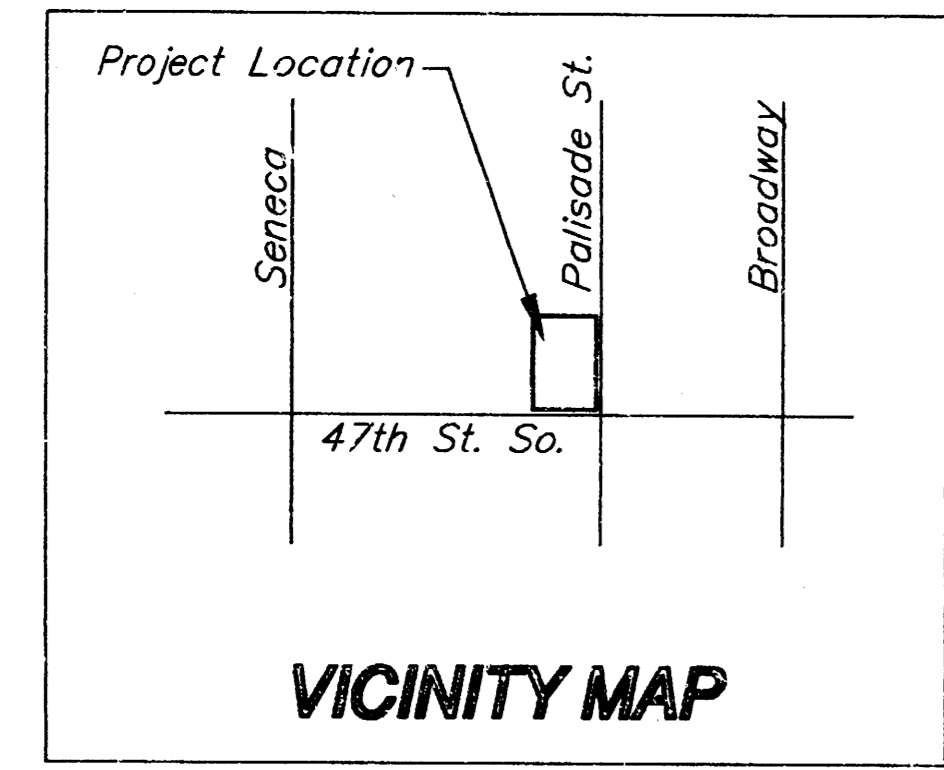
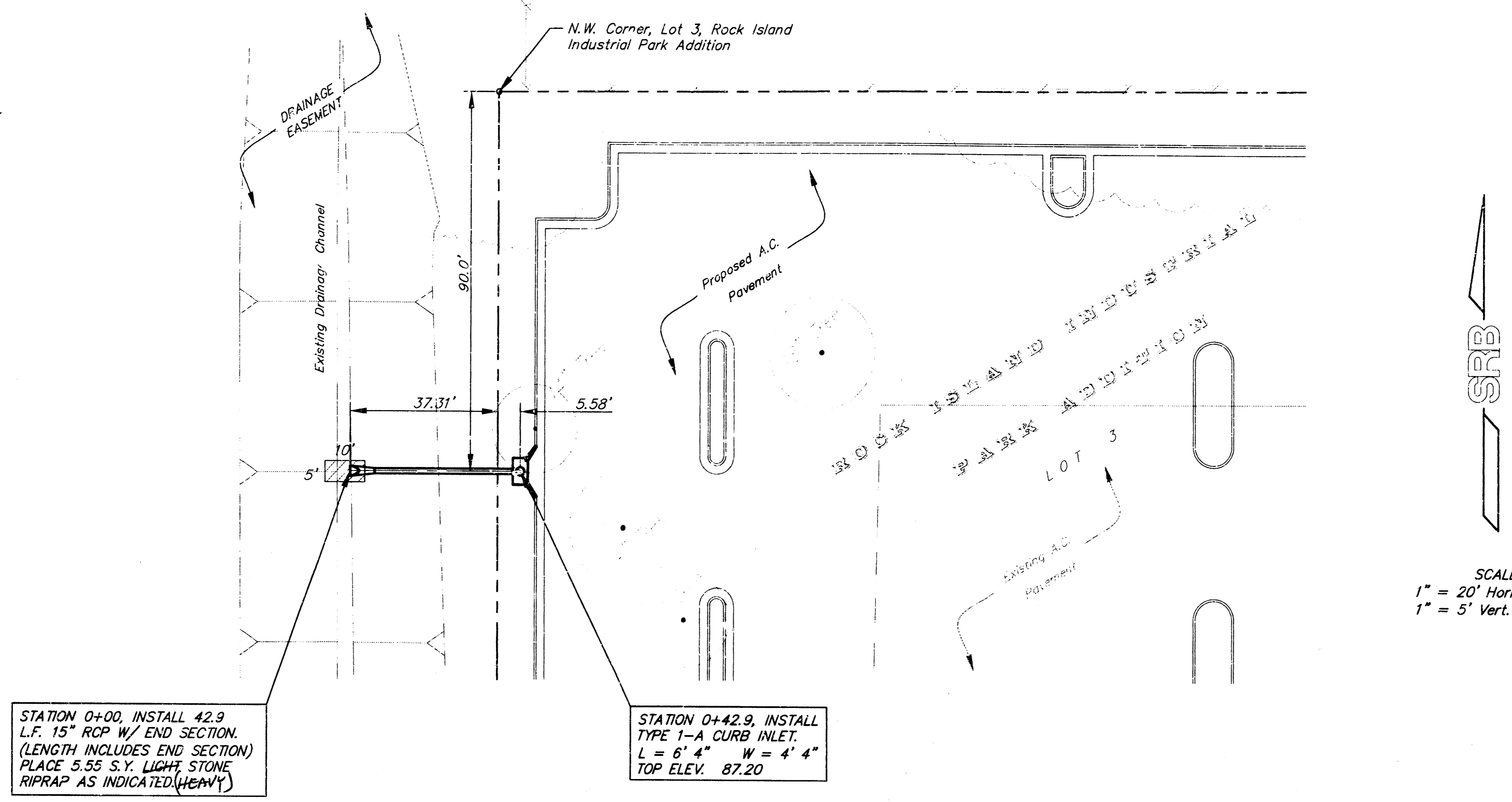


LOCATION MAP



VICINITY MAP



GENERAL NOTES

Traffic will not be affected by construction of this project.
Storm sewer shall be constructed in accordance with City of Wichita Standard Specifications for Storm Sewer Construction.
Areas of public R/W disturbed by construction of this project shall be restored in accordance with City of Wichita Administrative Regulation AR 78.

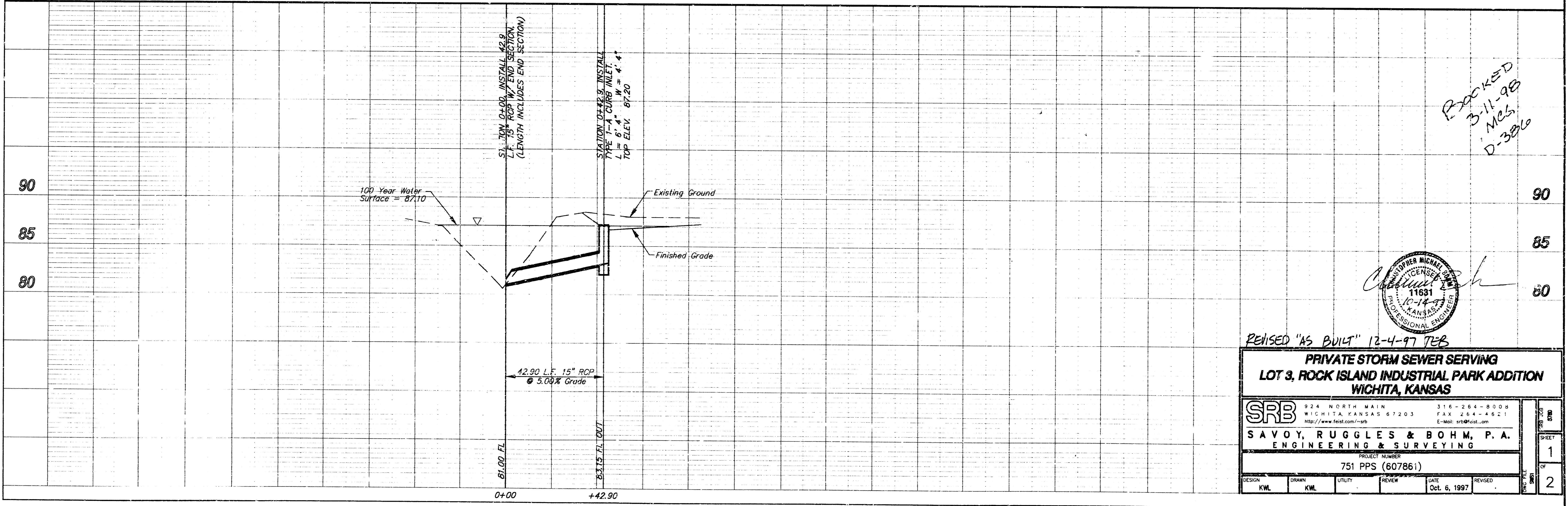
APPROVED AS NOTED
BY CITY ENGINEER OF WICHITA

Sanitary Sewers _____
Storm Sewers VRH 10/14/97
Driveway Approaches _____
Water Mains _____
Paving _____

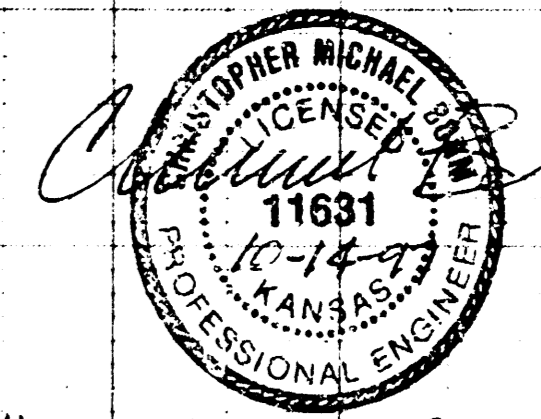
NOTE TO CONTRACTORS
Inspection and testing for this project are to be provided by a Licensed Consulting Engineering Firm under contract with the Owner/Developer. Said inspection to be in accordance with the City of Wichita standard construction engineering practices and certified by a Licensed Professional Engineer. No work shall be performed in dedicated easements or public right-of-way by the Contractor without such inspection, nor shall any work be commenced without written authorization by the City Engineer.

DRAINAGE CALCULATIONS

D.A. = 1.3 ACRES
C5 = 0.87
C100 = 0.89
15 = 4.56 in/hr.
1100 = 7.37 in/hr.
Q5 = 5.2 cfs
Q100 = 8.5 cfs



PROCKED
3-11-98
MCS
D-3806



REVISED "AS BUILT" 12-4-97 TEB

**PRIVATE STORM SEWER SERVING
LOT 3, ROCK ISLAND INDUSTRIAL PARK ADDITION
WICHITA, KANSAS**

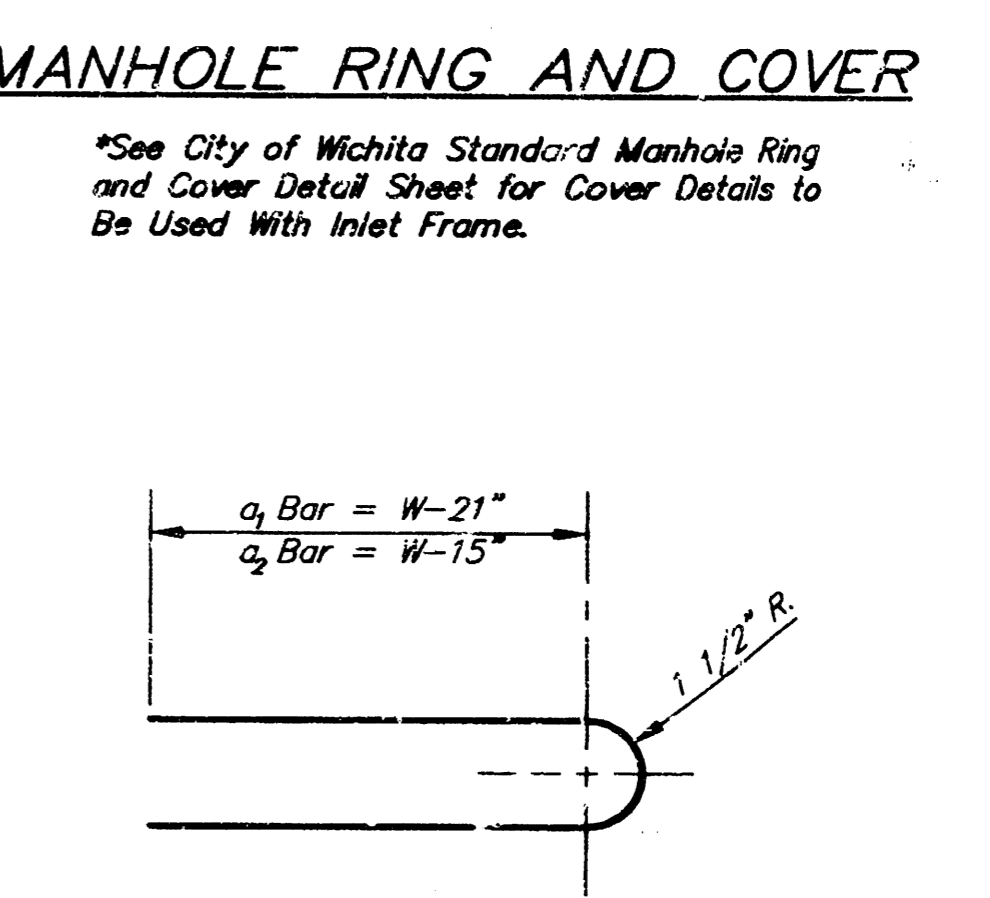
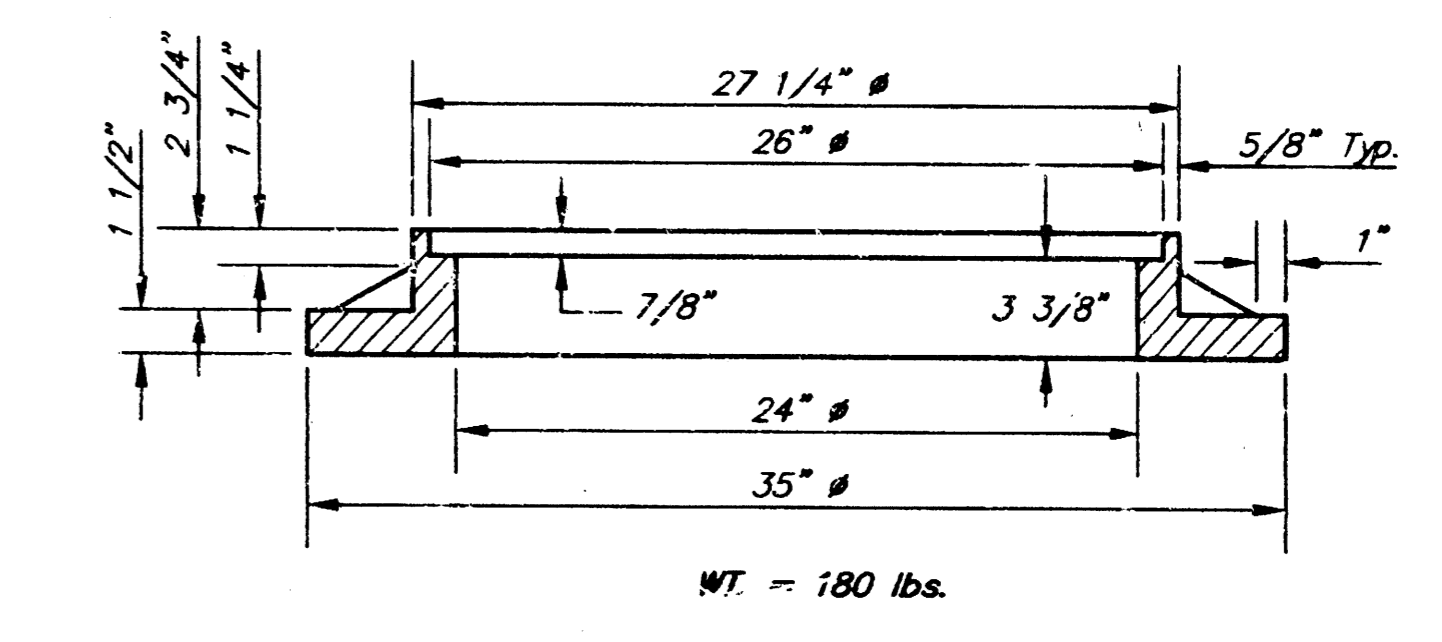
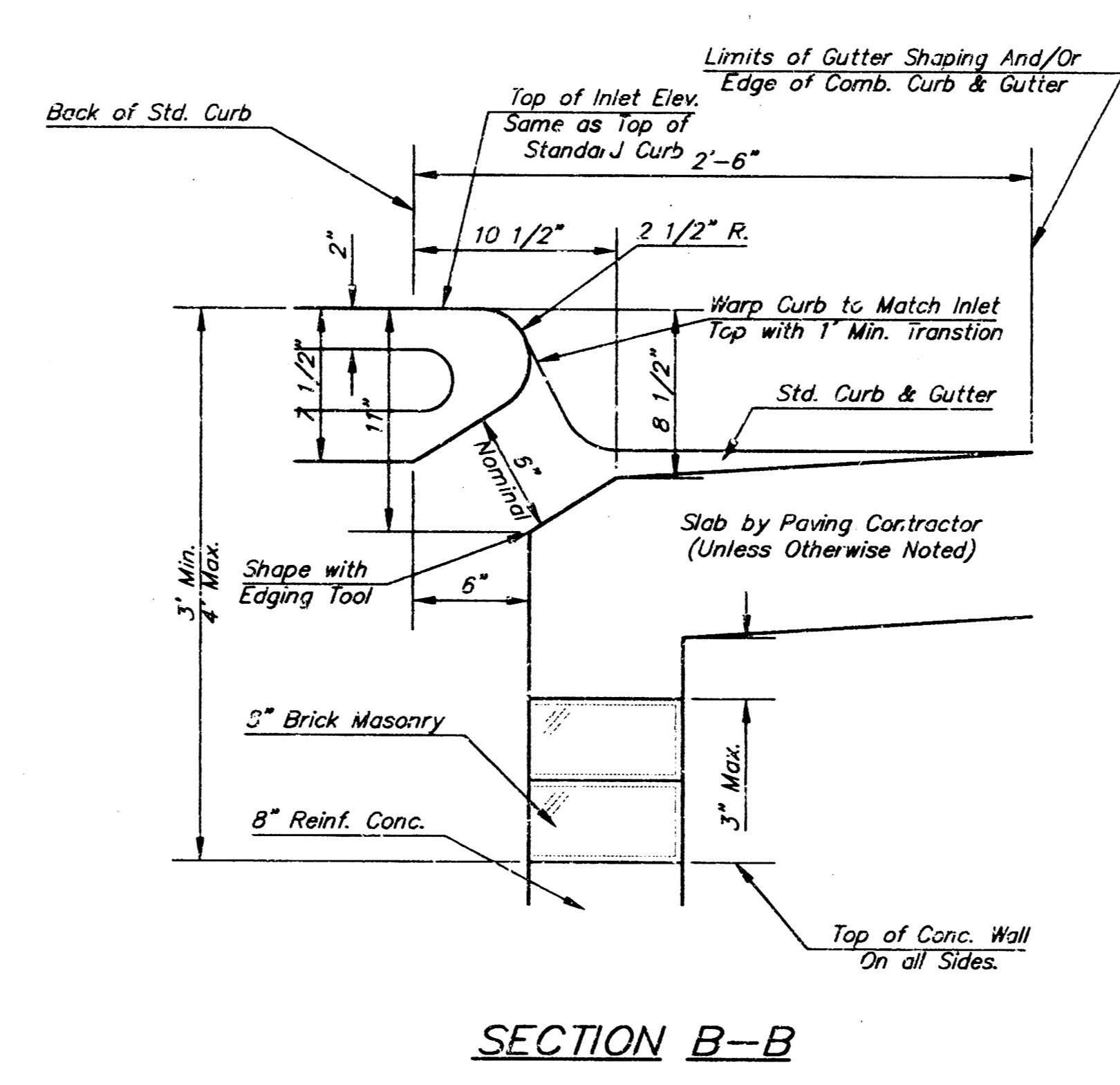
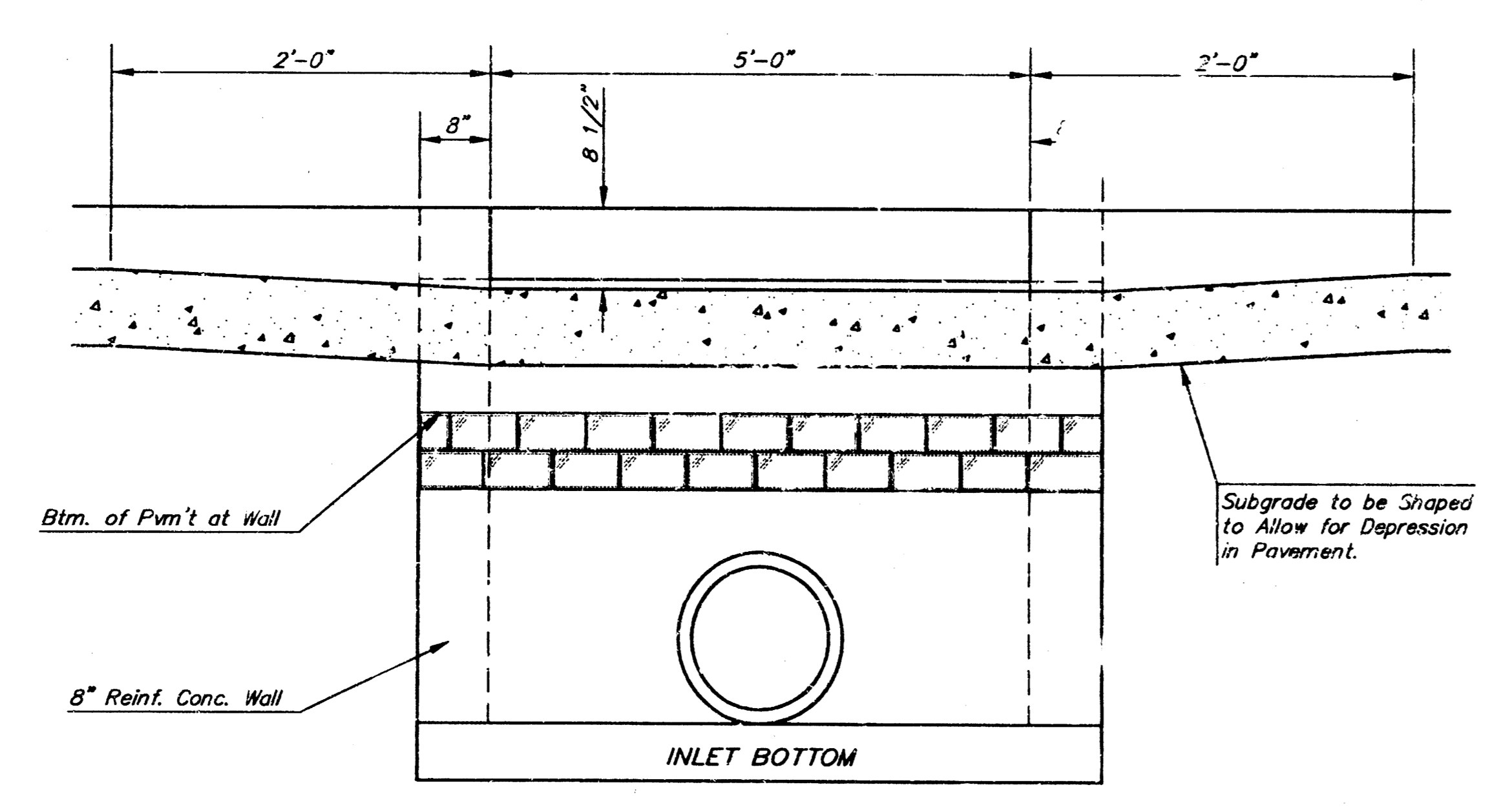
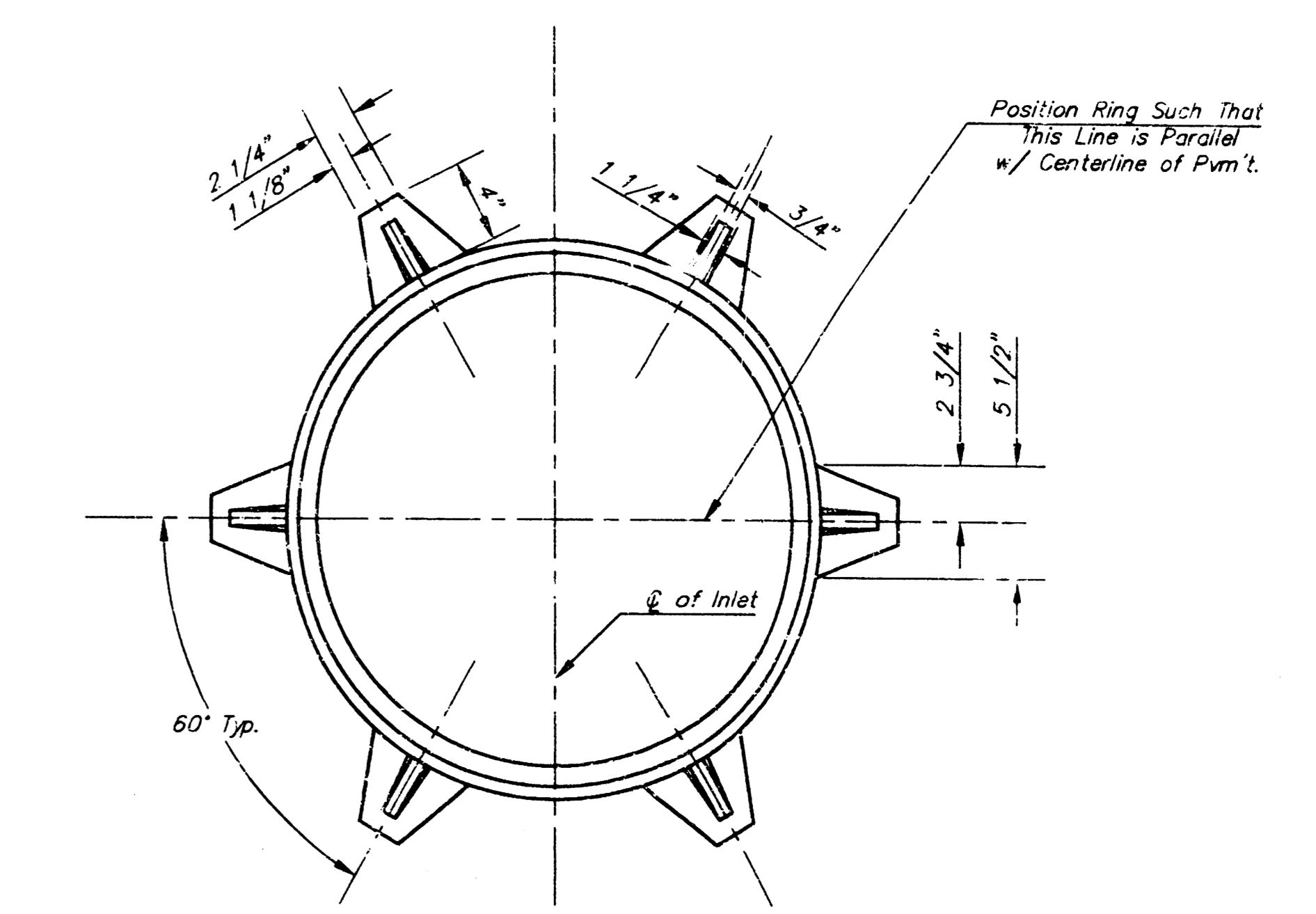
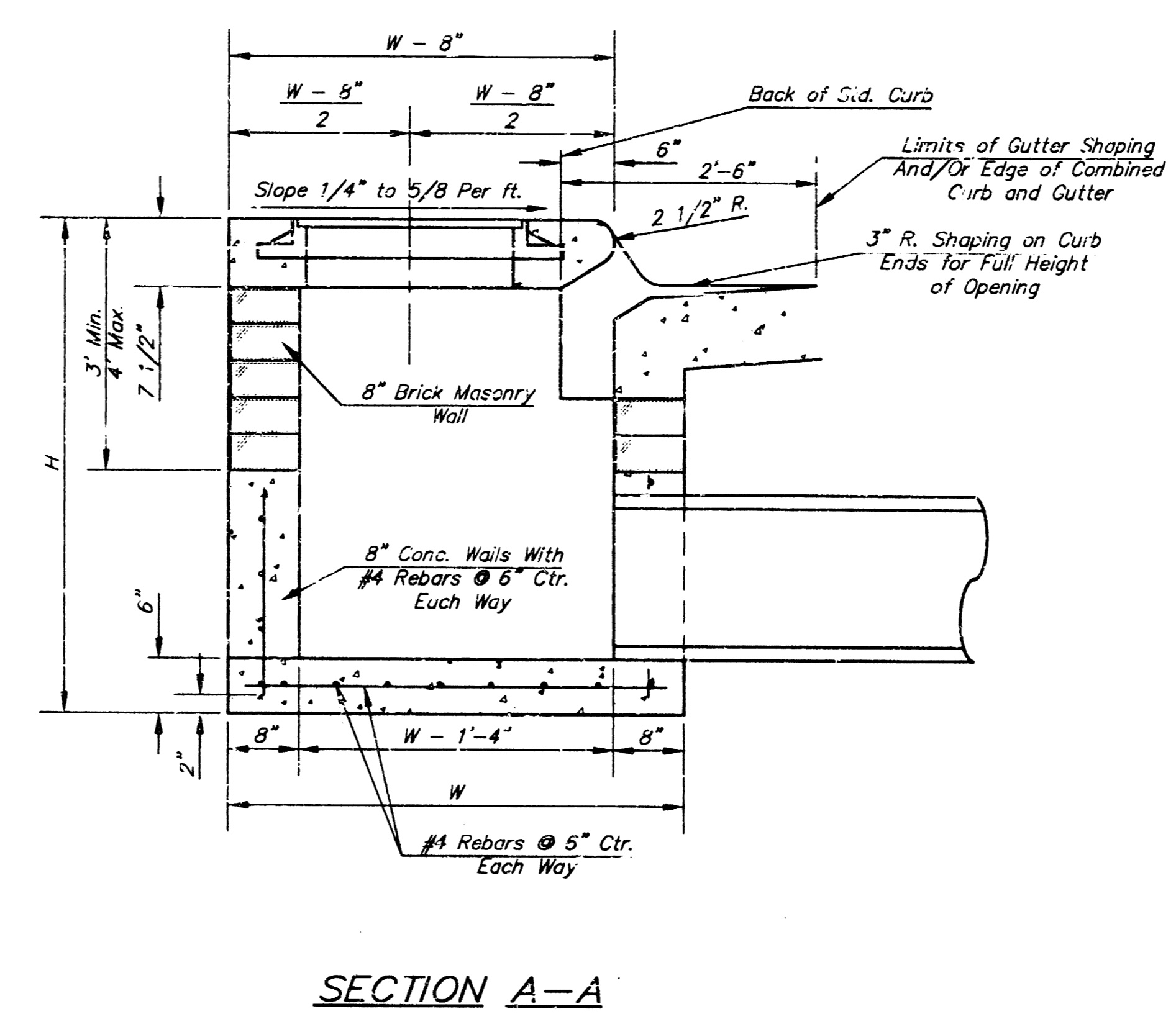
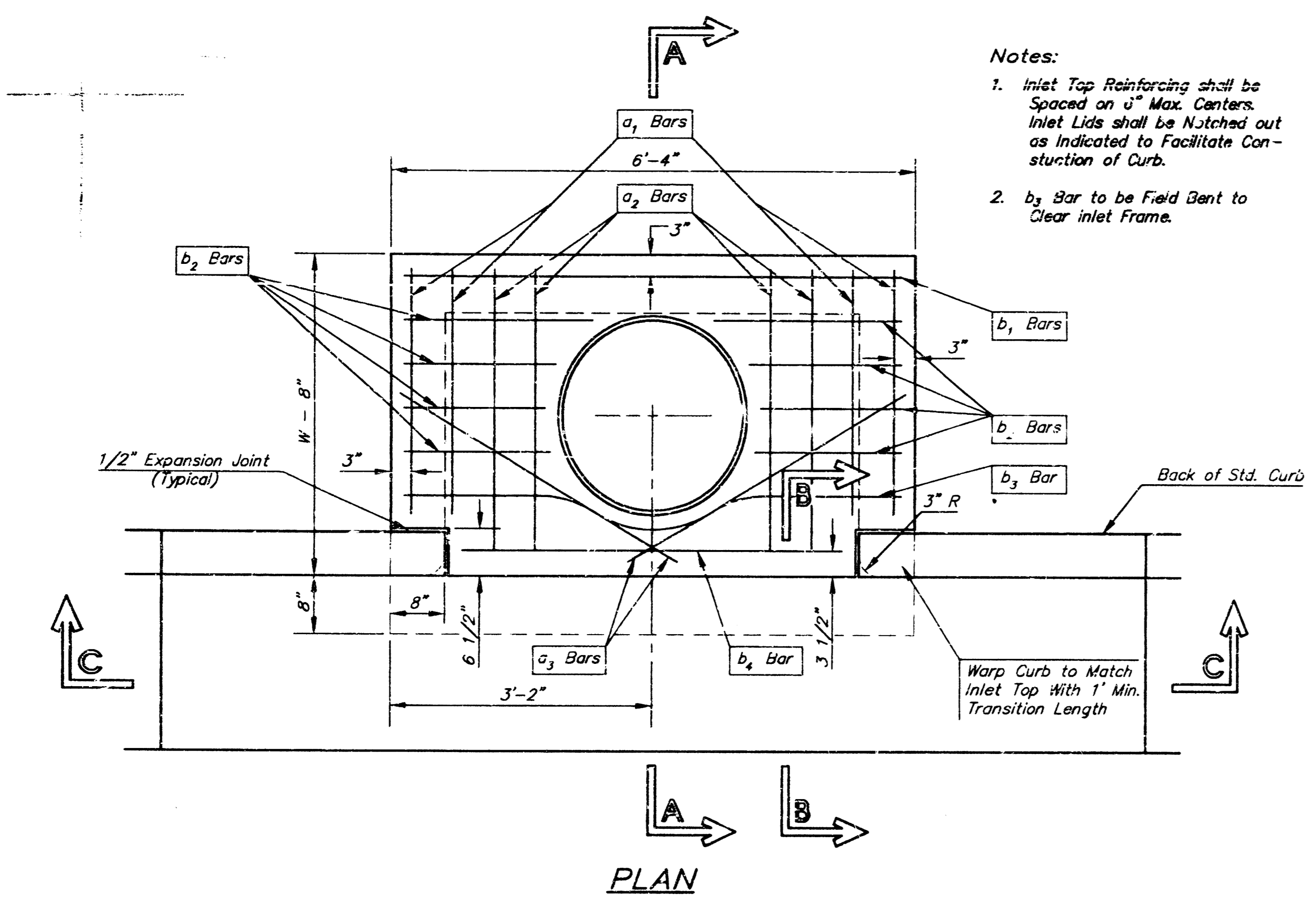
SRB 924 NORTH MAIN 316-264-8008
WICHITA, KANSAS 67203 FAX 264-4621
http://www.fest.com/~srb E-Mail: srb@fest.com

**SAVOY, RUGGLES & BOHM, P. A.
ENGINEERING & SURVEYING**

PROJECT NUMBER
751 PPS (607861)

DESIGN	DRAWN	UTILITY	REVIEW	DATE	REVISED
KWL	KWL			Oct. 6, 1997	

PROJECT SHEET
1 OF 2



STEEL SCHEDULE

BAR NUMBER	a ₁		a ₂		b ₁				b ₂	b ₃	b ₄	WT. Lbs.
	1	2	3	4	5	6	7	8	9	10		
W-4'-4"	5'-7"	6'-7"	4'-0"	6'-1"	-	-	-	-	1'-9"	6'-2"	4'-8"	60±
W-5'-4"	7'-7"	8'-7"	5'-0"	-	6'-1"	-	-	-	1'-9"	6'-2"	4'-8"	81±
W-6'-4"	9'-7"	10'-7"	6'-0"	-	6'-1"	-	-	-	1'-9"	6'-2"	4'-8"	101±
W-7'-4"	11'-7"	12'-7"	7'-0"	-	-	6'-1"	-	-	1'-9"	6'-2"	4'-8"	121±
W-8'-4"	13'-7"	14'-7"	8'-0"	-	-	-	6'-1"	-	1'-9"	6'-2"	4'-8"	141±

Note: a₃ Bars to be Placed Approx. 2" Below Top of Inlet Cover.

STANDARD CURB INLET PRECAST TOPS

W	PRE-CAST TOP SIZE	PIPE SIZE	CU. YD. CONC.
4'-4"	3'-8" 6'-4" 7 1/2"	21" & SMALLER	0.38±
5'-4"	4'-8" 6'-4" 7 1/2"	24" & 30"	0.51±
6'-4"	5'-8" 6'-4" 7 1/2"	36" & 42"	0.84±
7'-4"	6'-8" 6'-4" 7 1/2"	48" & 54"	0.77±
8'-4"	7'-8" 6'-4" 7 1/2"	60" & 66"	0.90±

- GENERAL NOTES**
- Concrete tops to be installed on thin mortar cushion to insure full support along brick walls. Concrete tops may be cast in place or precast. Concrete used for inlet construction shall be concrete pavement mix.
 - Contractor shall have the option of constructing 8" brick masonry walls between the concrete inlet base and top on this inlet when W=6'-4" and H=7'-0" or less.
 - Inlet invert shall be shaped with 8 sack sand mix concrete to create flow channels and to increase hydraulic efficiency such that the inlet will be self cleaning between all inlet and/or outlet pipes.
 - The ends of all pipes installed in inlets shall be cut off flush with the inside face of the inlet wall.

THE CITY OF WICHITA

CITY ENGINEER'S OFFICE
CITY HALL - SEVENTH FLOOR
100 NORTH MAIN STREET
WICHITA, KANSAS 67202
(316) 266-4001
(316) 266-4114 FAX

**STANDARD TYPE 1
CURB INLET
OPENING = 6"x5'-0"**

M. E. LINDEBAK P.E. - CITY ENGINEER

PROJECT NUMBER 751 PPS	INDEX OF P.P. 607861
DATE MAR 96	SHEET 2 OF 2