

STORM SEWER EXTENSION TO SERVE

**Lot 4, I-35
Turnpike Business Park**

Private Project Number
754 PPS (607861)

CITY OF WICHITA, KANSAS

Michael E. Lindebak, City Engineer

October, 1997

General Notes:

1. Contractor will be required to provide notice to utility companies a minimum of twenty-four (24) hours prior to any excavation, as follows:

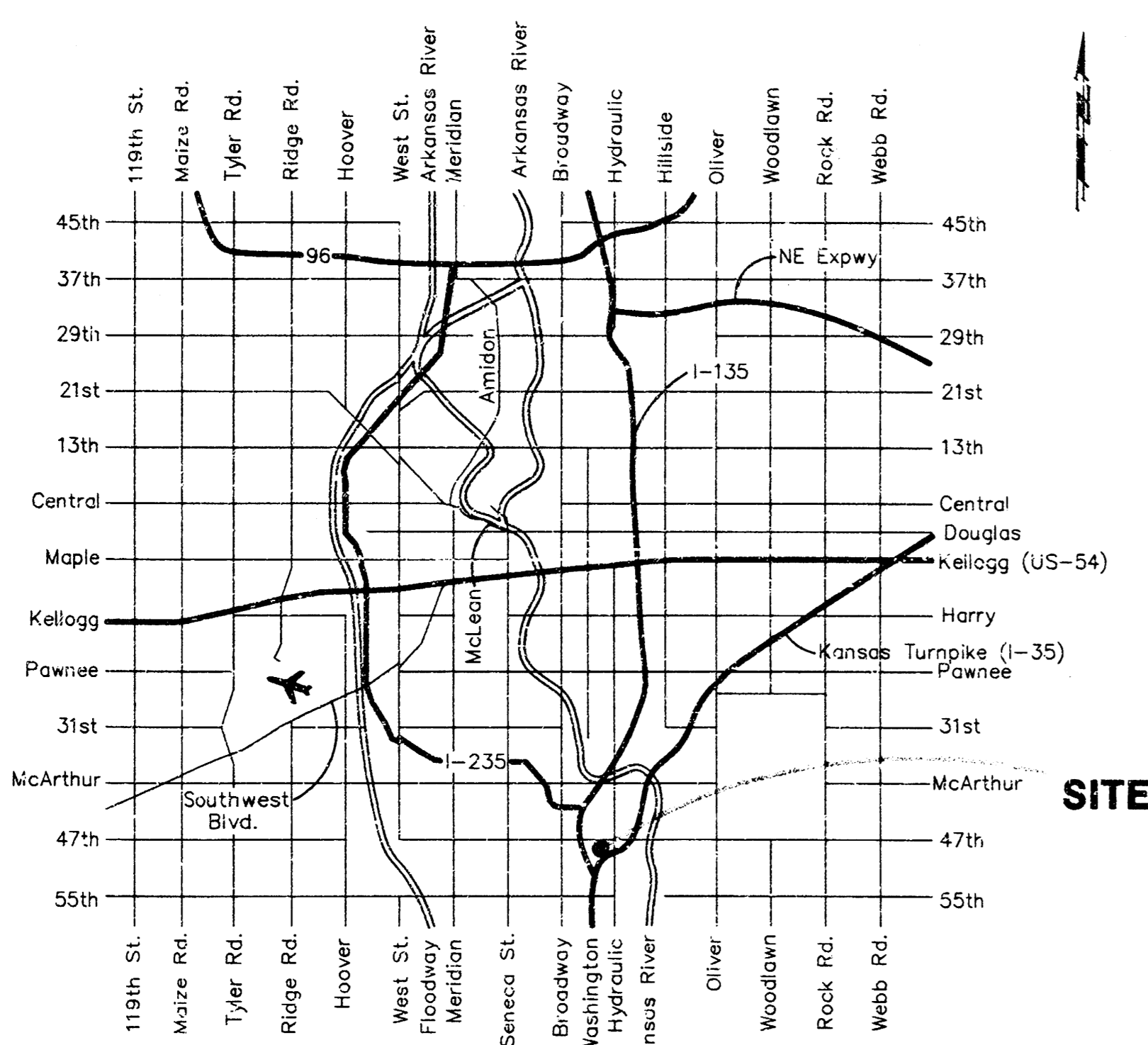
Kansas One-Cat! 687-2470

The Contractor must notify the following in case of an emergency:

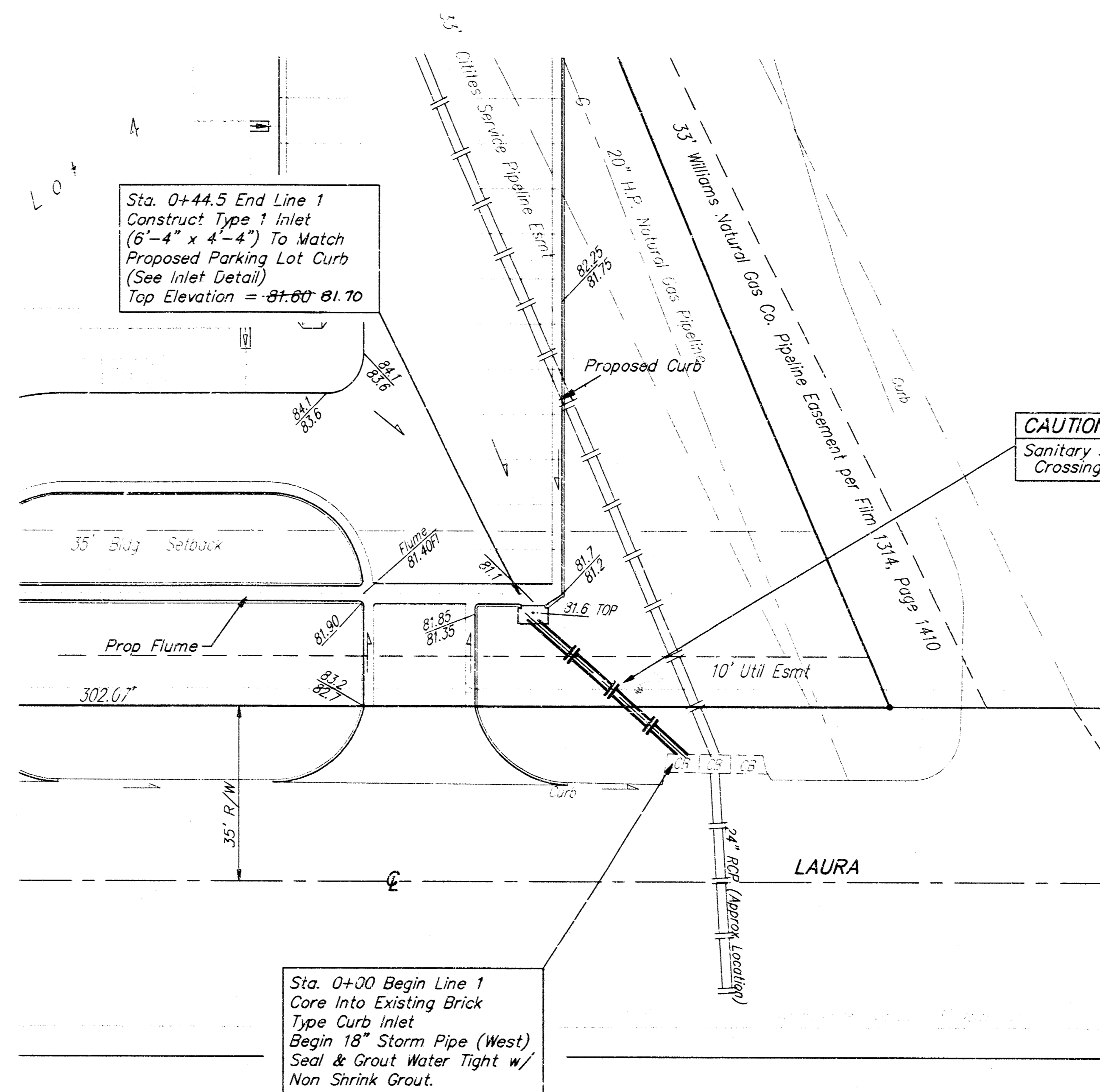
Cablevision	262-4270
or	263-2061
K.P.L. Gas Service Company	263-7511
Kansas Gas & Electric Company	264-1141
Arkia Gas Company	942-8330
or	263-8161
Southwestern Bell Telephone Company	1-571-2611
City of Wichita Water Department	268-4908
City of Wichita Sewer Maintenance	268-4071

2. The Contractor shall be responsible for preserving property irons. The Contractor will be required to re-establish any property irons which are damaged or destroyed by his construction operations. Such irons shall be re-established by a licensed land surveyor in accordance with state laws.

3. Contractor shall not start work on the project until the Project Inspector is assigned to the project and is present on the site. Any work done without inspection will be required to be uncovered for inspection.



Vicinity Map



SCALE:
1" = 20' Horizontal
1" = 5' Vertical
• = IRON

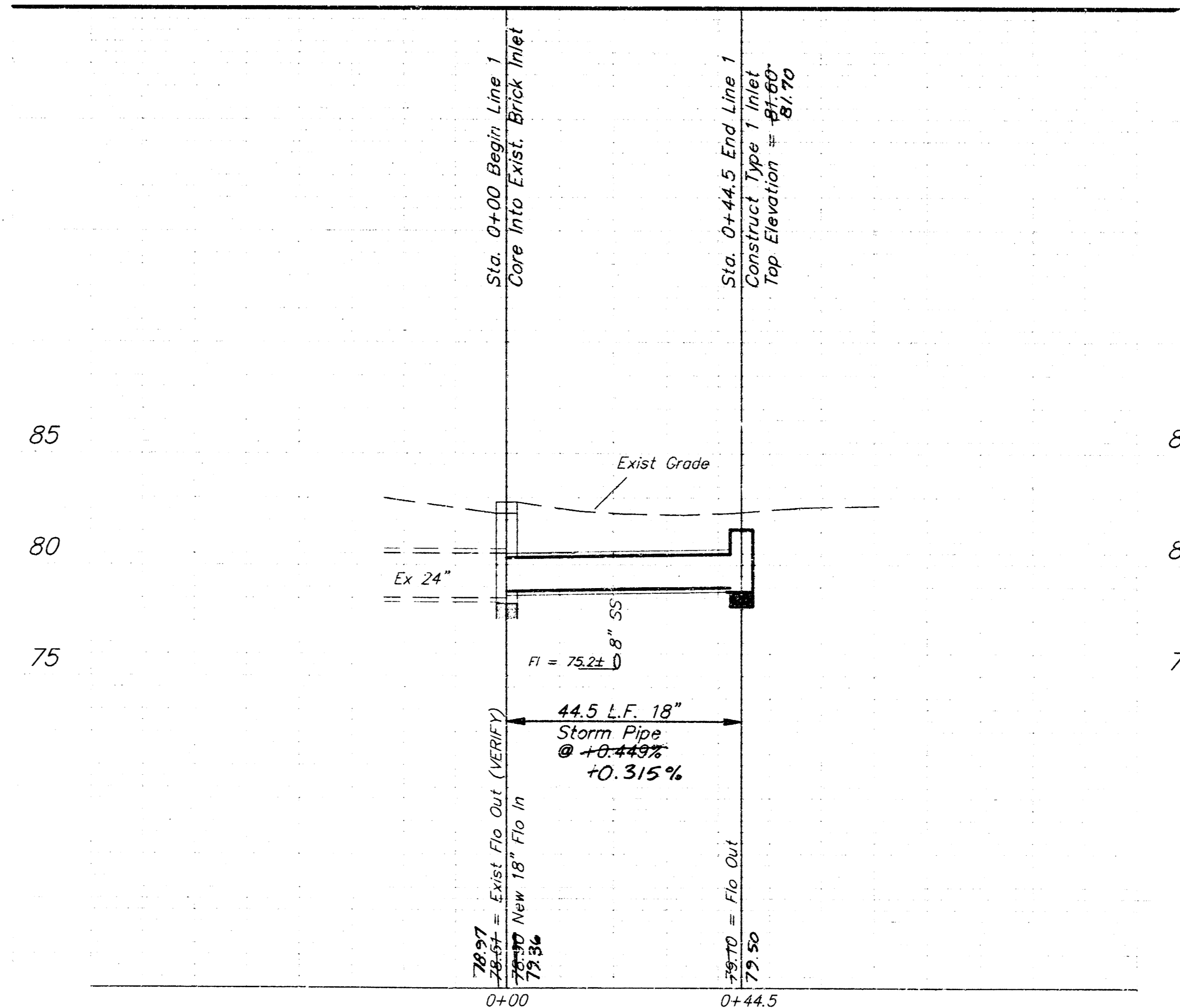
Legal Desc.

Lot 4, Block 1, I-135 Turnpike Business Park,
Wichita Kansas.

Benchmark

Notch on Manhole rim of north catch basin on
west side of Laura near the southeast corner
of Lot 3, Block 1.
Elevation = 82.87 (City Datum)

BOOKED
7-26-00
MCC
C-169

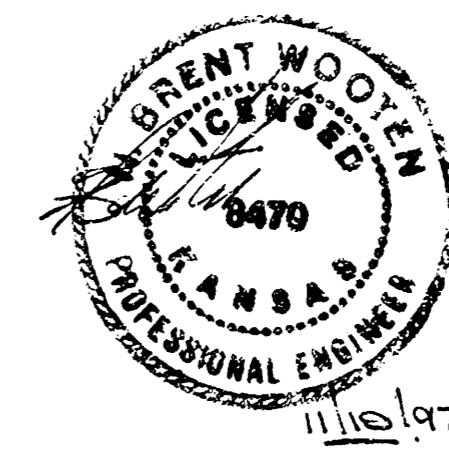


APPROVED AS NOTED
BY CITY ENGINEER OF WICHITA

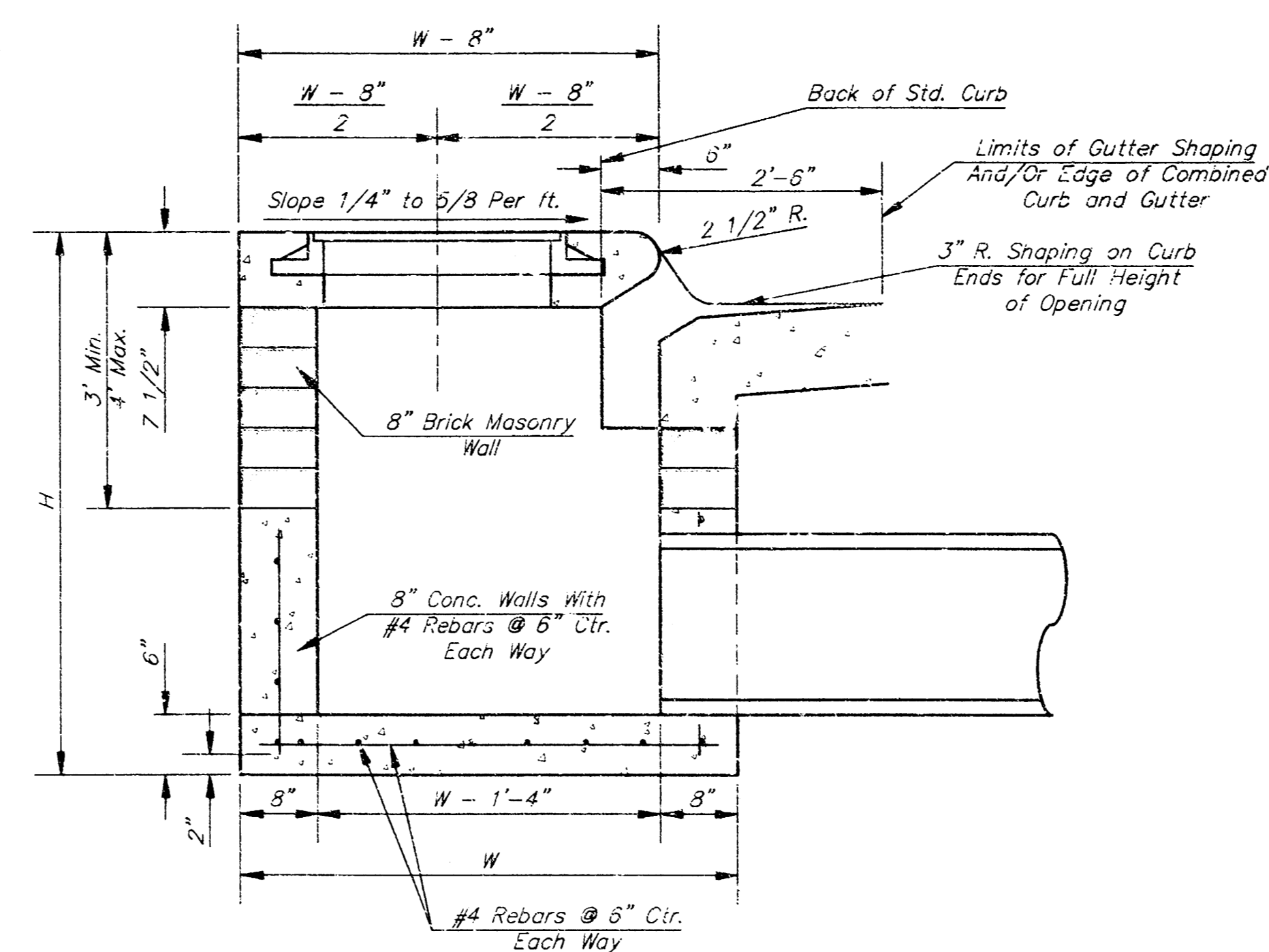
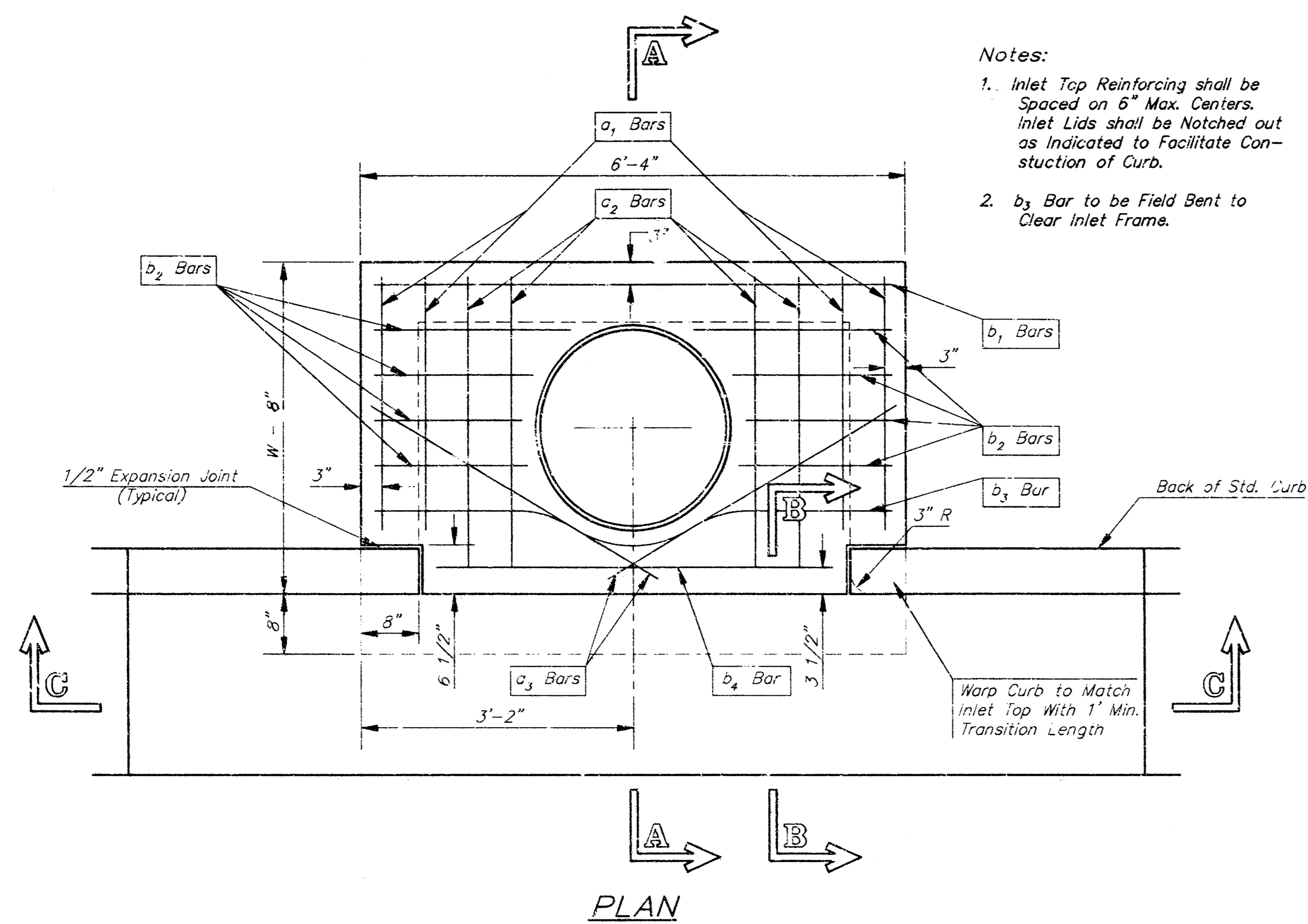
Storm Sewer VRH 11/3/97

NOTE TO CONTRACTORS

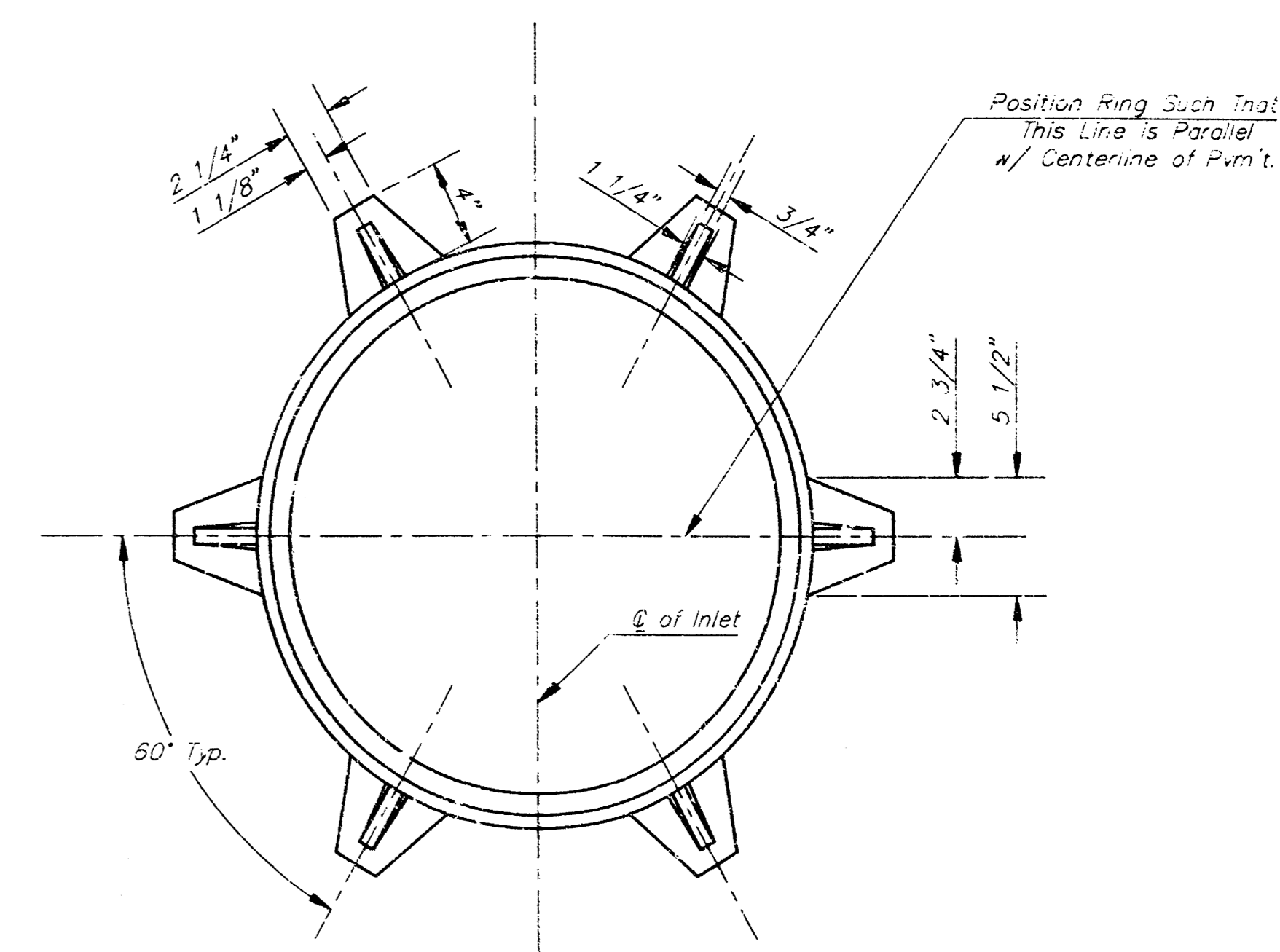
Inspection and testing for this project is to be provided by a Licensed Consulting Engineering Firm under contract with the Owner/Developer. Said inspection to be in accordance with the City of Wichita standard construction engineering practices and certified by a Licensed Professional Engineer. No work shall be performed in dedicated easements or public right-of-way by the Contractor without such inspection nor shall any work be commenced without written authorization by the City Engineer. All Construction and Materials shall comply with the City of Wichita Specifications and Standards (on file and available in the City Engineer's Office).



BAUGHMAN COMPANY
ENGINEERING, SURVEYING, & PLANNING
316-262-7271 • 315 ELLIS • WICHITA, KANSAS

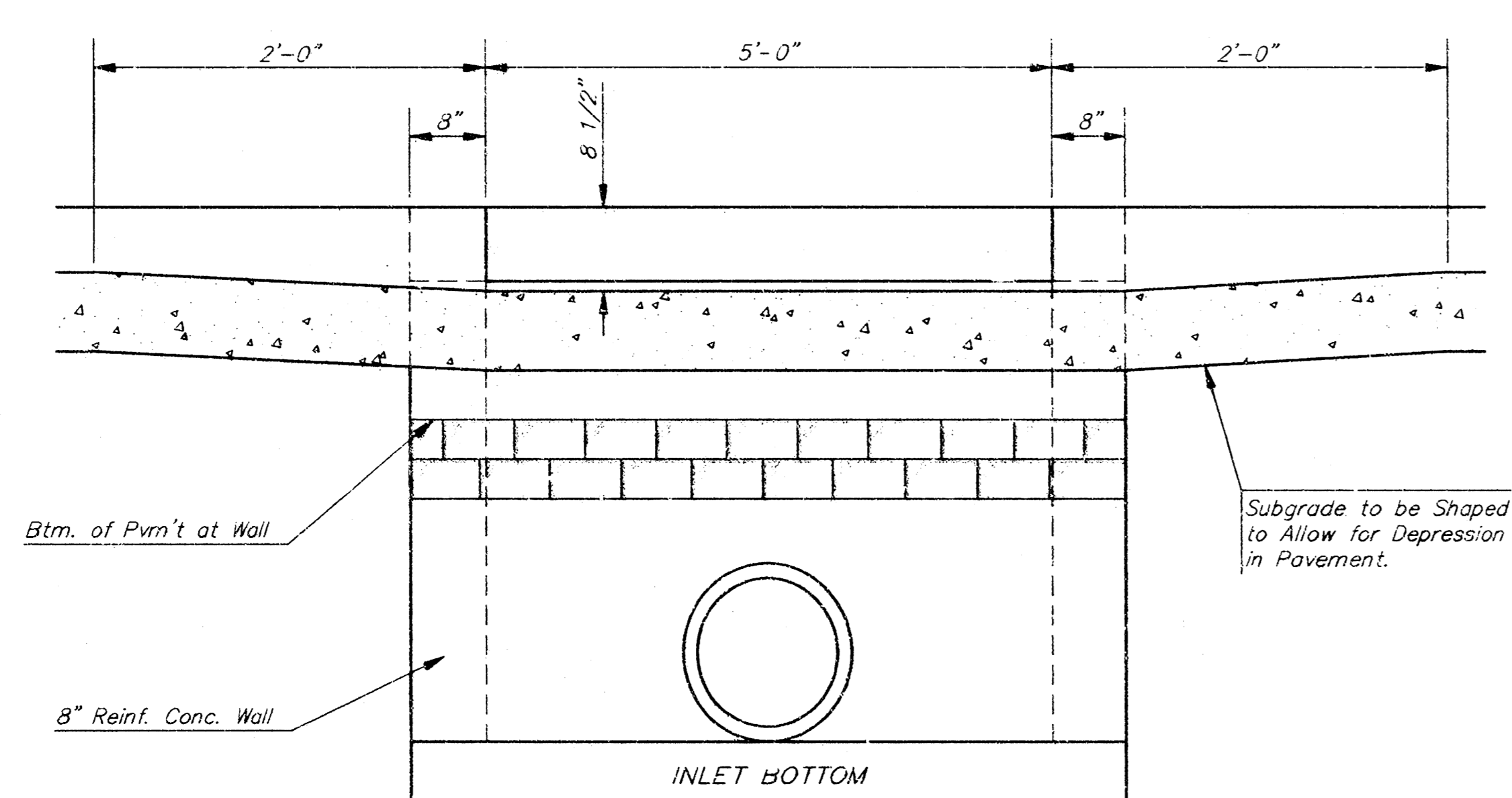


SECTION A-A

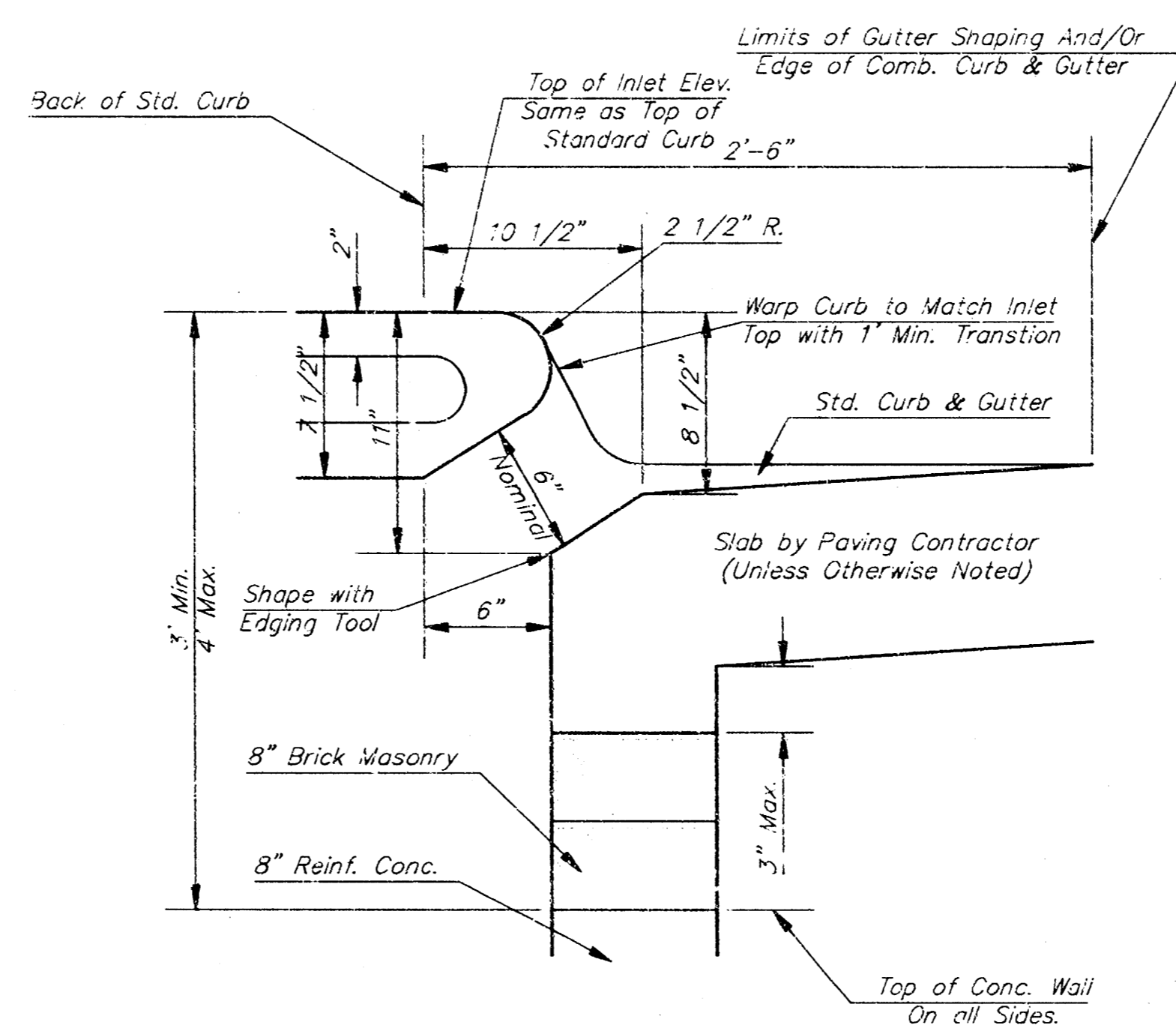


MANHOLE RING AND COVER

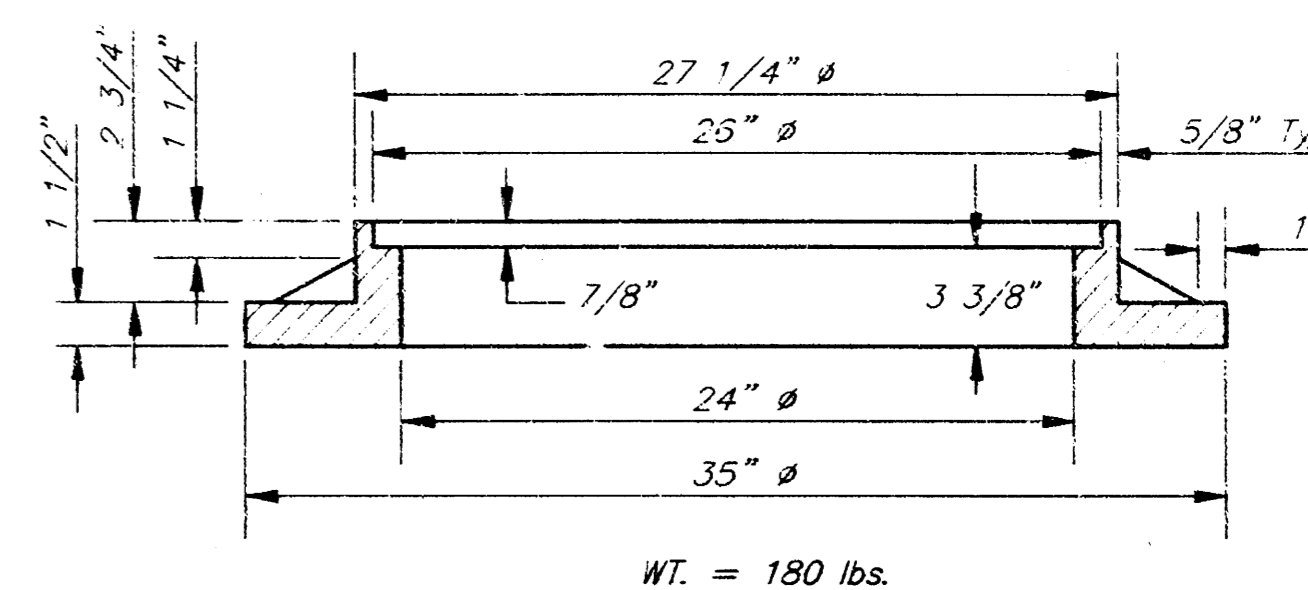
WT. = 180 lbs.
 *See City of Wichita Standard Manhole Ring and Cover Detail Sheet for Cover Details to Be Used With Inlet Frame.



SECTION C-C



SECTION B-B



BENDING DIAGRAM

STEEL SCHEDULE

BAR	a ₁	a ₂	a ₃	b ₁				b ₂	b ₃	b ₄	WT. Lbs.	
NUMBER	4	4	2	1	3	5	7	9	6	1		
SIZE	#4	#4	#4	#4	#4	#4	#4	#4	#4	#6		
W=4'-4"	5'-7"	6'-7"	4'-0"	6'-1"	-	-	-	-	1'-9"	6'-2"	4'-8"	60±
W=5'-4"	7'-7"	8'-7"	5'-0"	6'-1"	-	-	-	-	1'-9"	6'-2"	4'-8"	81±
W=6'-4"	9'-7"	10'-7"	6'-0"	-	-	6'-1"	-	-	1'-9"	6'-2"	4'-8"	101±
W=7'-4"	11'-7"	12'-7"	7'-0"	-	-	-	6'-1"	-	1'-9"	6'-2"	4'-8"	121±
W=8'-4"	13'-7"	14'-7"	8'-0"	-	-	-	-	6'-1"	1'-9"	6'-2"	4'-8"	141±

Note: a₃ Bars to be Placed Approx. 2" Below Top of Inlet Cover.

STANDARD CURB INLET PRECAST TOPS

W	PRE-CAST TOP SIZE	PIPE SIZE	CU. YD. CONC.
4'-4"	3'-8" 6'-4" 7 1/2"	21" & SMALLER	0.38±
5'-4"	4'-8" 6'-4" 7 1/2"	24" & 30"	0.51±
5'-4"	5'-8" 6'-4" 7 1/2"	36" & 42"	0.64±
7'-4"	6'-8" 6'-4" 7 1/2"	48" & 54"	0.77±
8'-4"	7'-8" 6'-4" 7 1/2"	60" & 66"	0.90±

GENERAL NOTES

- Concrete tops to be installed on thin mortar cushion to insure full support along brick walls. Concrete tops may be cast in place or precast. Concrete used for inlet construction shall be concrete pavement mix.
- Contractor shall have the option of constructing 8" brick masonry walls between the concrete inlet base and top on this inlet when W=6'-4" and H=7'-0" or less.
- Inlet invert shall be shaped with 8 sack sand mix concrete to create flow channels and to increase hydraulic efficiency such that the inlet will be self cleaning between all inlet and/or outlet pipes.
- The ends of all pipes installed in inlets shall be cut off flush with the inside face of the inlet wall.

Revised - Dec. 21, 1984

CITY OF WICHITA, KANSAS
TYPE 1 CURB INLET
 INLET OPENING = 3'x3'-0"

BAUGHMAN COMPANY P.
 ENGINEERING, SURVEYING, & PLANNING
 316-262-7271 • 316-262-7272 • 316-262-7273

PROJECT NUMBER _____ SHEET _____

DESIGN _____ DRAWN _____ APPROVED _____ DATE _____ SCALE _____