

**GENERAL NOTES**

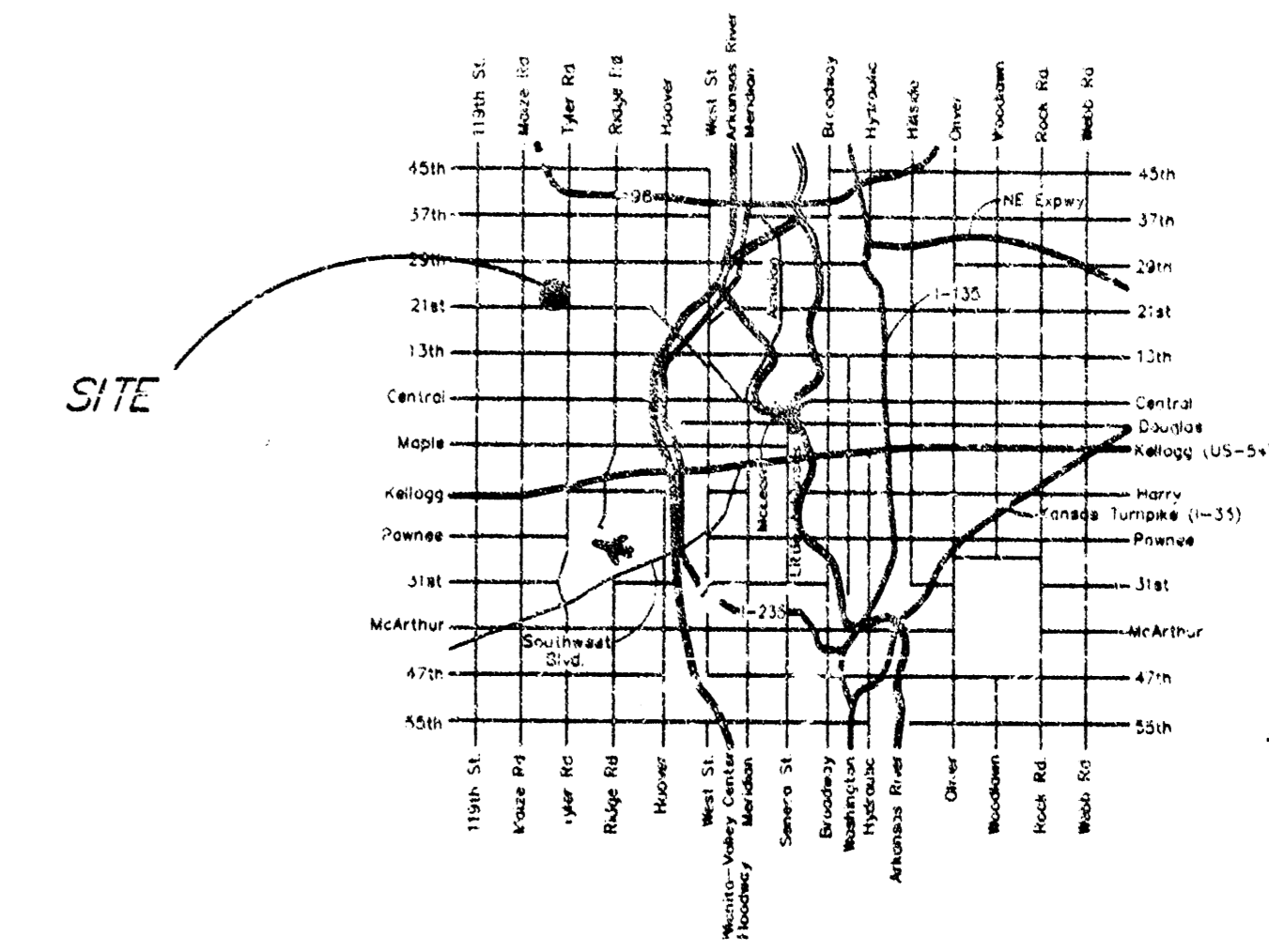
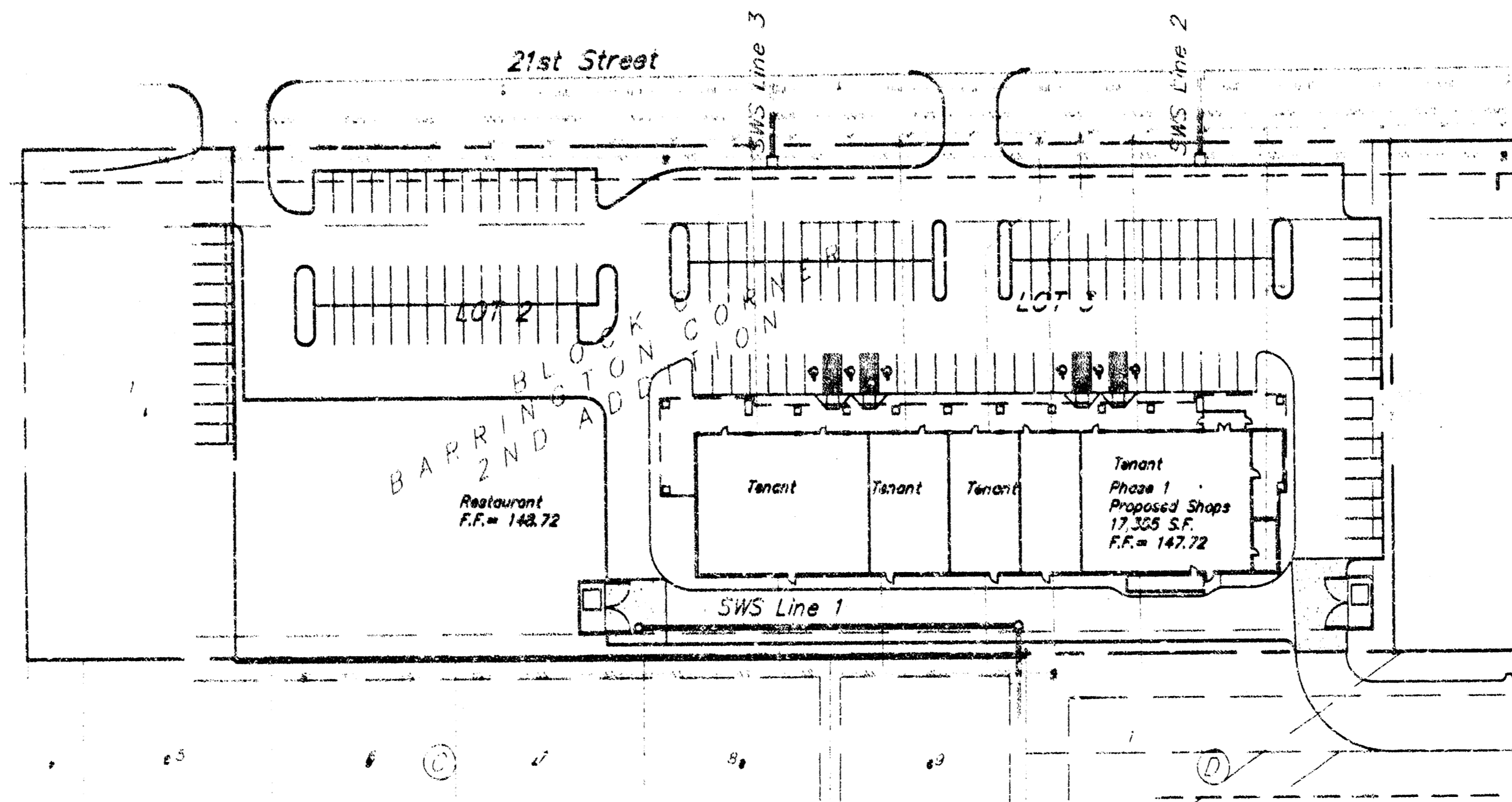
- Contractor will be required to provide notice to utility companies a minimum of twenty-four (24) hours prior to any excavation, as follows:  
 Kansas One-Call 657-2470  
 The Contractor must notify the following in case of an emergency:  
 Cablevision 262-4270  
 or 263-2061  
 K.P.L. Gas Service Company 383-8850  
 Kansas Gas & Electric Company 383-8800  
 Peoples Natural Gas 342-8811  
 or 1-800-303-0357  
 Southwestern Bell Telephone Company 1-571-2611  
 City of Wichita Water Department 268-4908  
 City of Wichita Sewer Department 268-4071
- Exist. utilities and their locations, as shown on the plans, represent the best information obtainable for design. Location information has been obtained from the various utility companies and is either from company record drawings or company-provided field locations. The Contractor will be required to work around existing utilities which do not conflict with proposed construction.
- The Contractor to verify utility locations prior to construction of this project.
- Utility service and installation shall be coordinated with the respective utility owners. Contacts are:  
 K&K Gas Steve Orth 261-6867  
 K.G. & L. Miles Coops 261-6434  
 Wichita Water Chuck Stevan 268-4555  
 Joe Botinelly 268-4908  
 Southwestern Bell Jim Tobin 268-2753
- All areas disturbed by construction shall be seeded with rye Rebel II Fescue grass at a rate of 350 lbs./acre immediately following construction in that area.
- Traffic affected by the construction of this project shall be handled in accordance with the latest edition of the Manual on Uniform Traffic Control Devices.
- All lawn/turf areas disturbed by construction of proposed improvements shall be restored with the same grass/sod as existing. Restoration of disturbed areas shall include, but not be limited to, top soil preparation, seeding, mulch and/or reseeding. All seeding/sodding work shall be in accordance with the City of Wichita standard specifications and the City of Wichita administrative regulation No. AR72 which governs cleanup and replacement following construction. All costs for this work shall be subsidiary to the lump sum price bid for "Site Restoration."

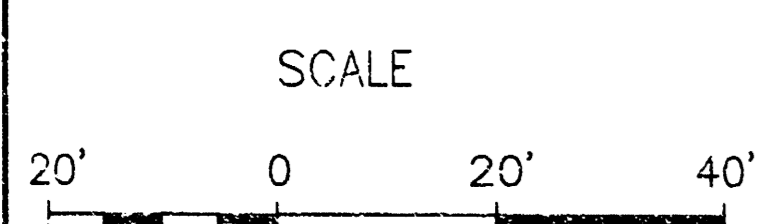
**STORM WATER SEWER IMPROVEMENTS TO SERVE  
 LOTS 2&3, BLOCK C  
 BARRINGTON CORNER 2ND ADDITION**  
 Project Number  
**887 PPS (607881)**  
 CITY OF WICHITA, KANSAS  
 Michael E. Lindebak, P. E., City Engineer



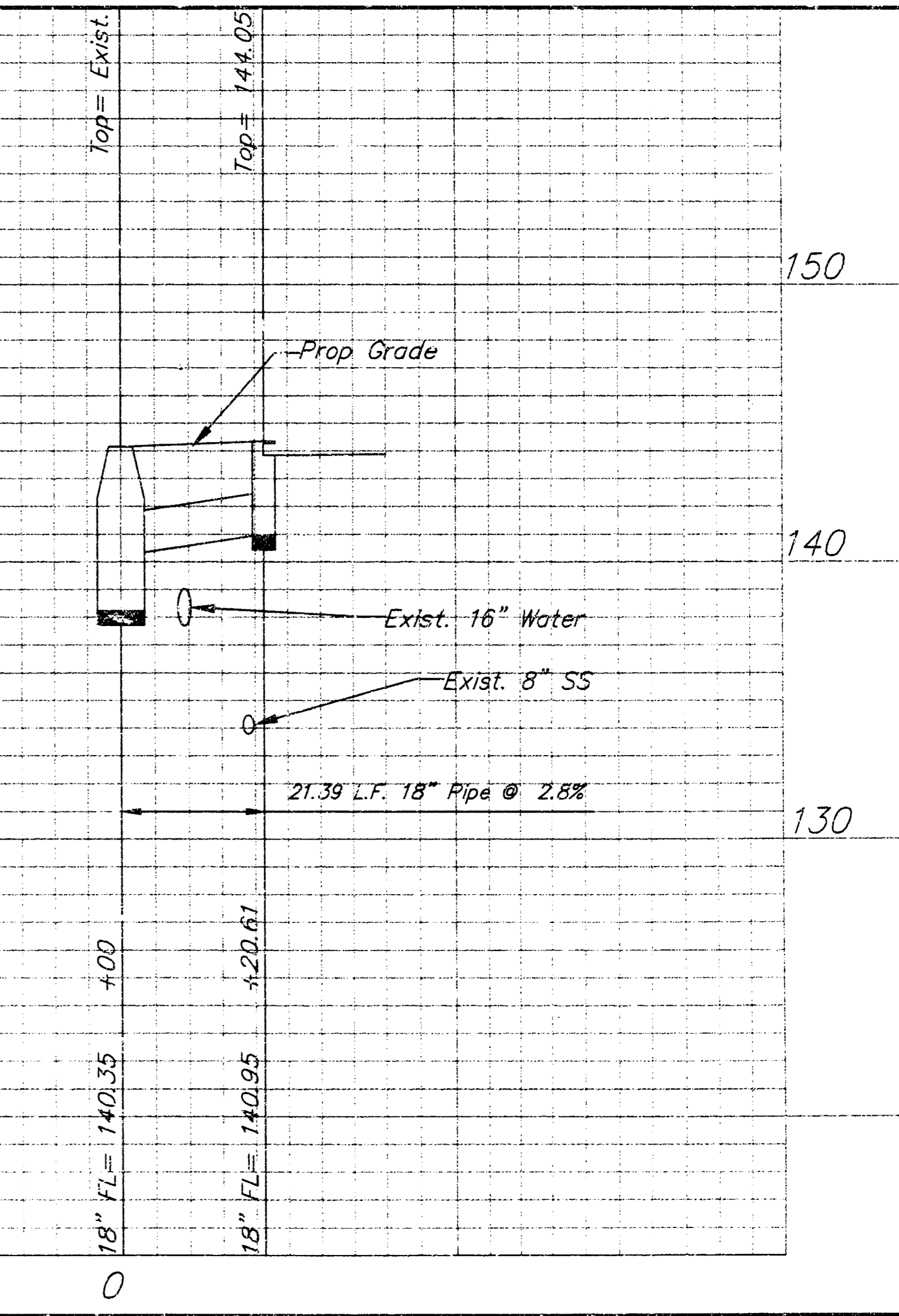
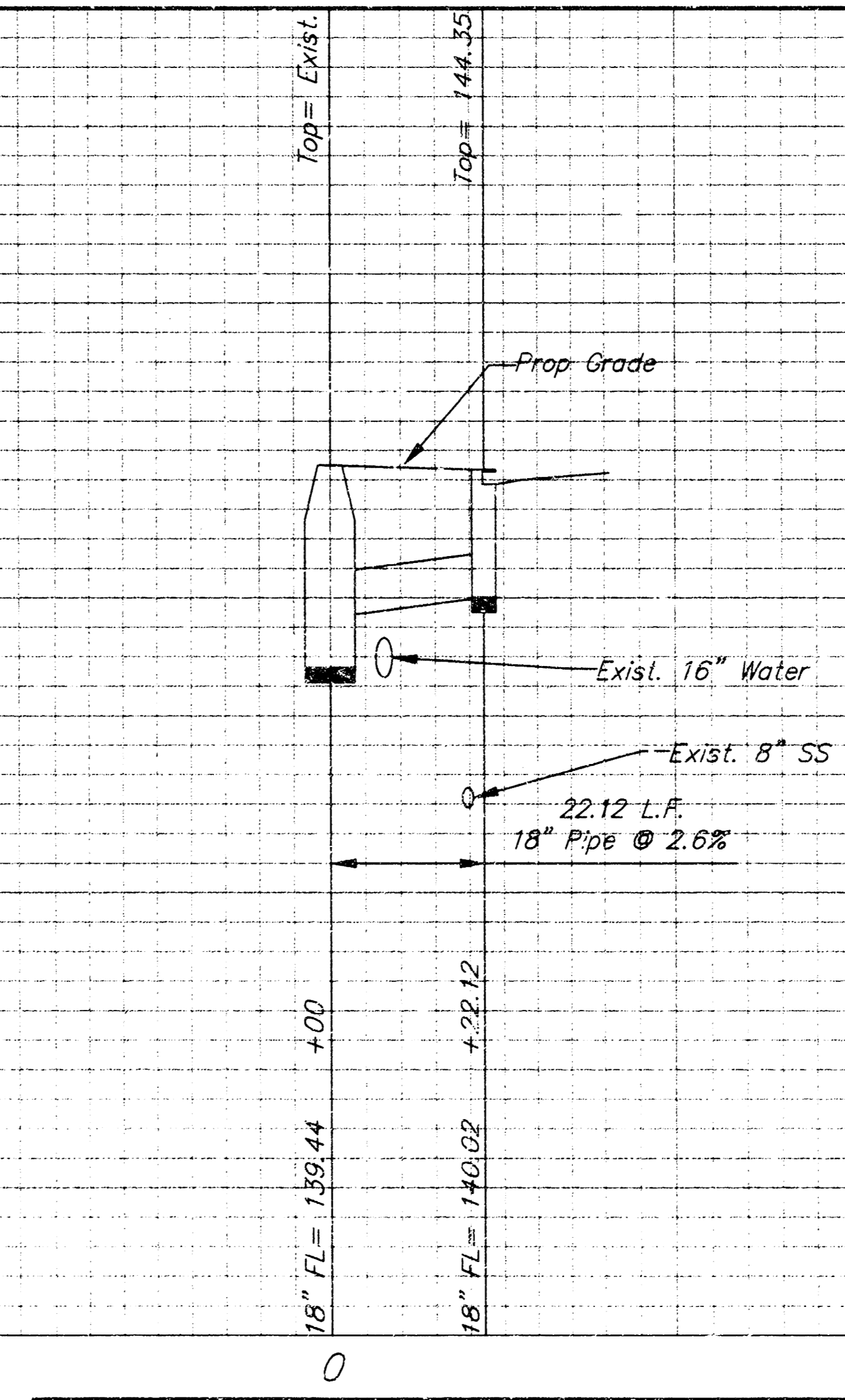
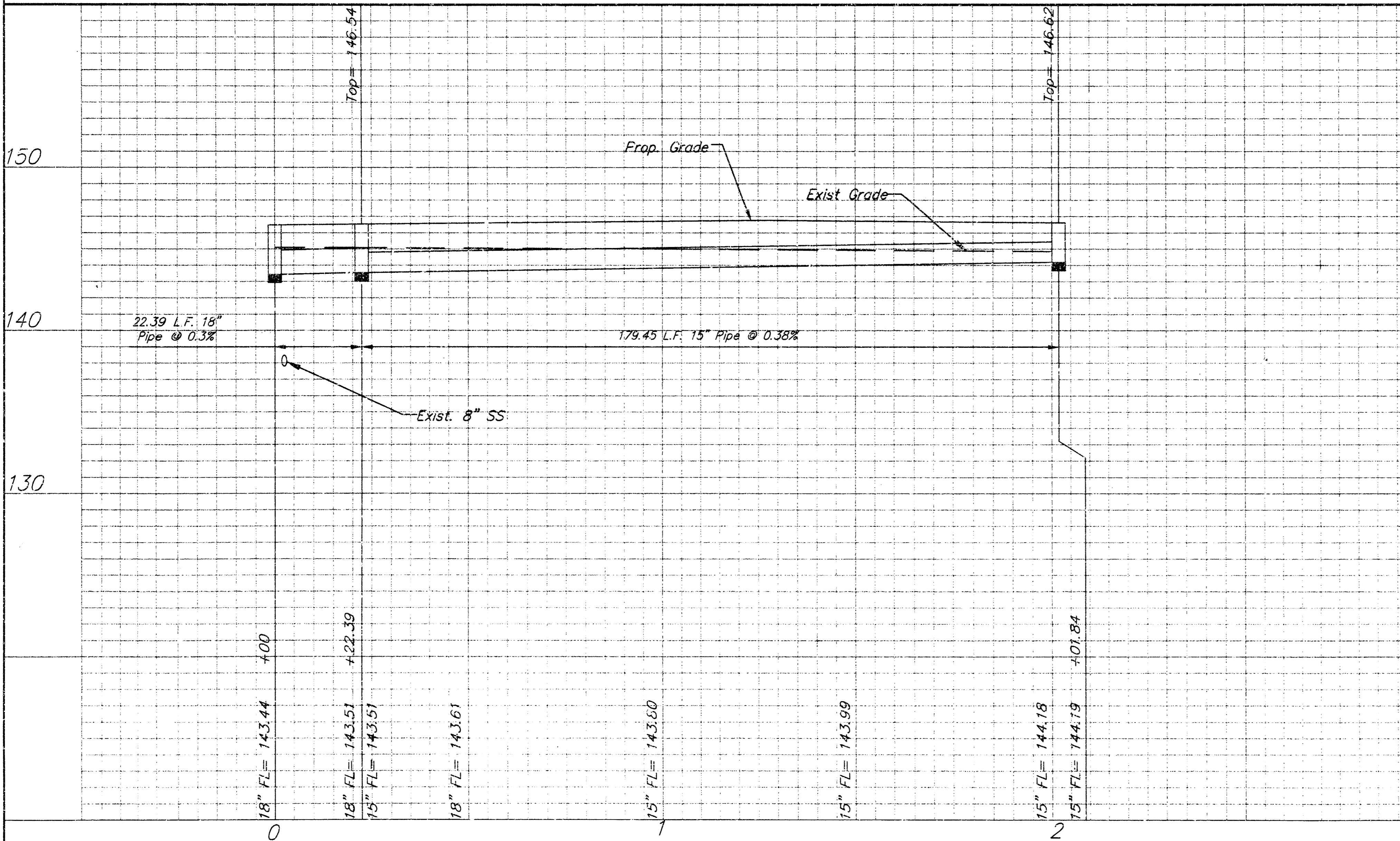
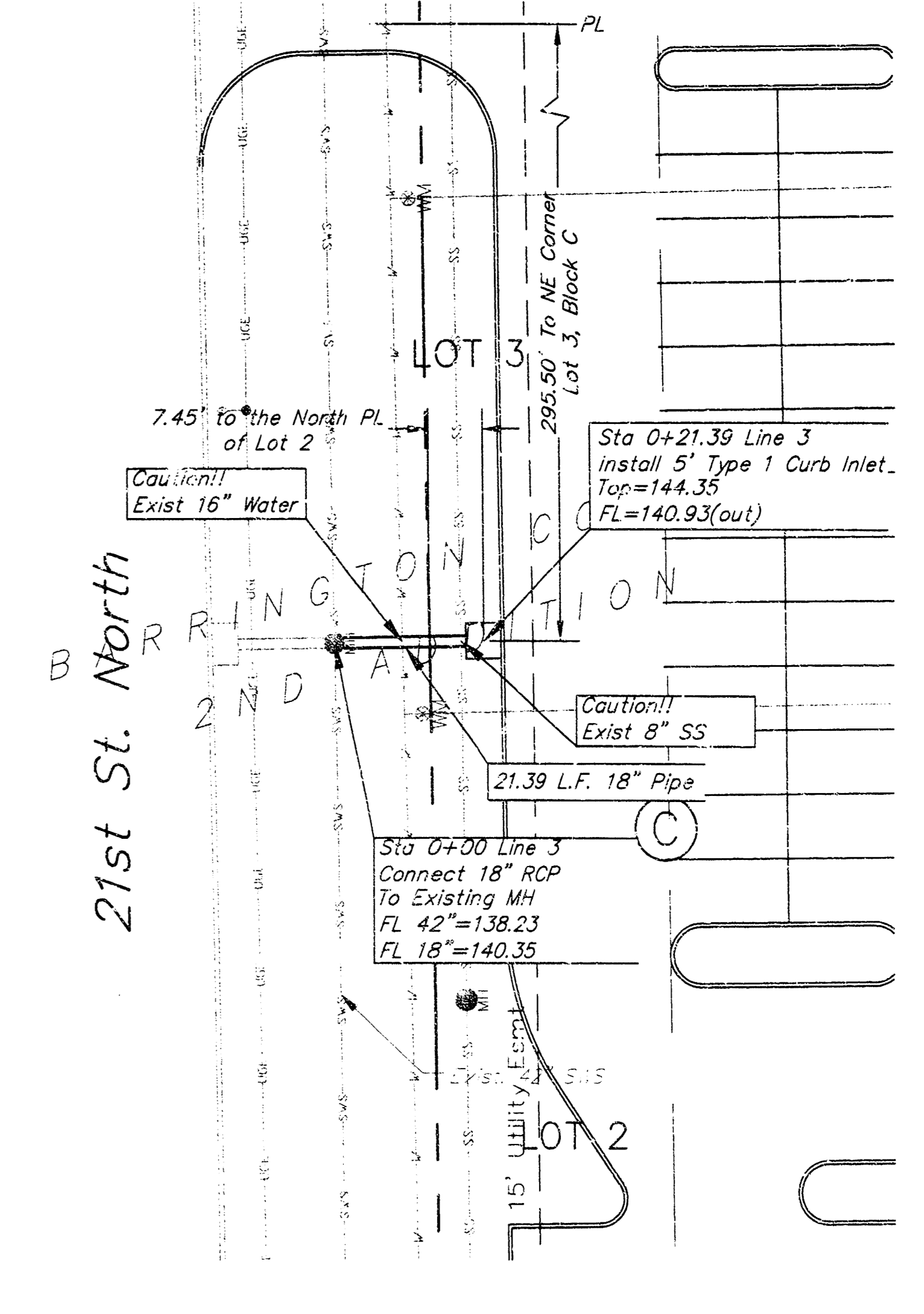
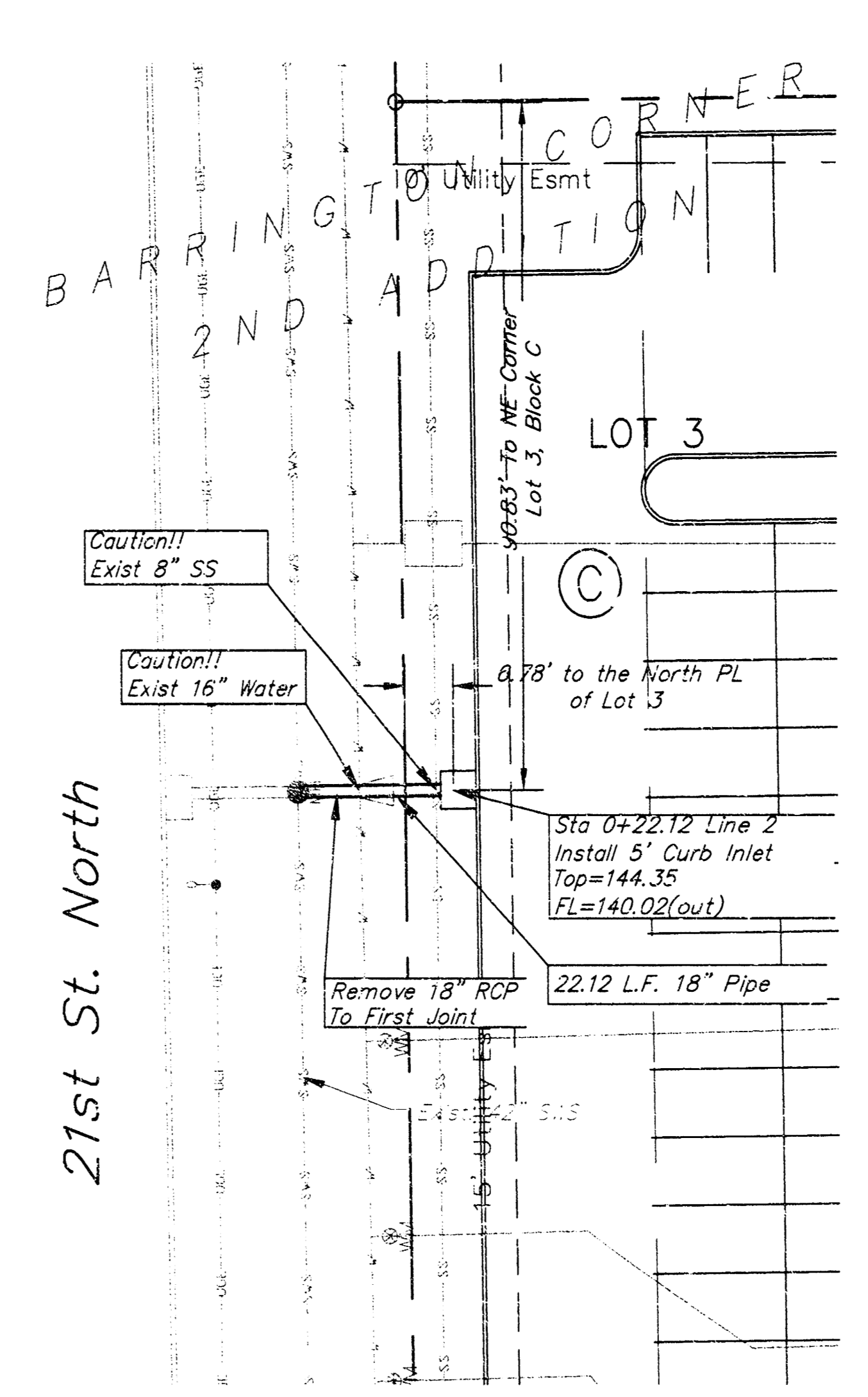
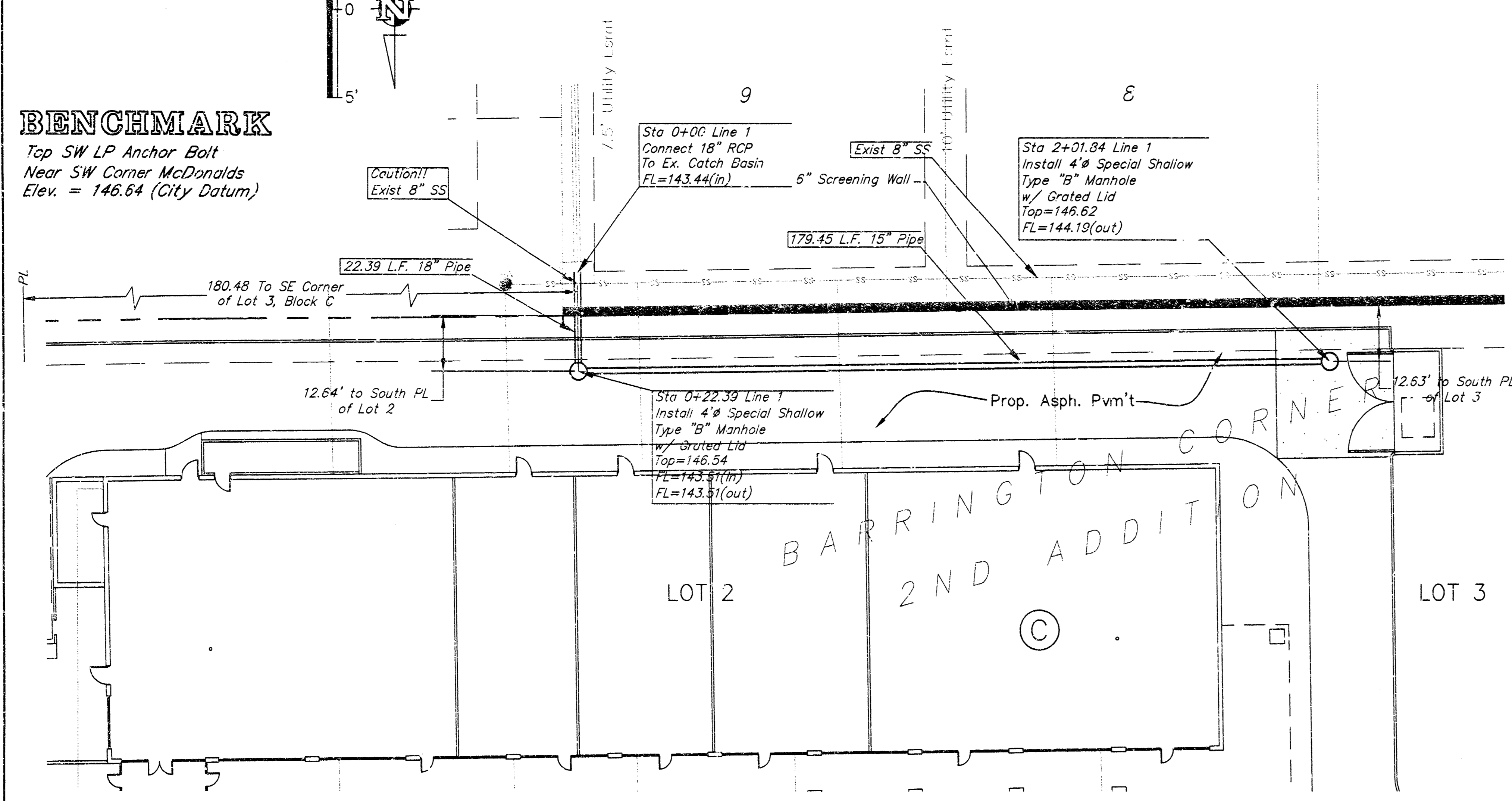
**INDEX**  
 1 Cover  
 2 Plan and Profile

**BENCHMARK**  
 Top SW LP Anchor Bolt Near  
 SW Corner McDonalds  
 Elev.= 146.64 (City Datum)





**BENCHMARK**  
 Top SW LP Anchor Bolt  
 Near SW Corner McDonalds  
 Elev. = 146.64 (City Datum)



	PROJECT NUMBER <b>837 PFS 807951</b>				AM NO. 98100	SHEET <b>SWS2</b> OF 3
	DESIGN AM	DRAWN MY	FILE SWSPP1	DATE 7/98	SCALE 1"=20'	
<b>LOTS 2&amp;3, BLK. C, BARRINGTON CORNER 2ND ADD.</b> <b>SWS LINE 1</b> WICHITA, KS.						REVISIONS 1-30/99

BOOKED