

TOTAL SITE AREA = 343,724 S.F.
 PERVIOUS AREA = 155,669 S.F. (45.3%)
 IMPERVIOUS AREA = 188,055 S.F. (54.7%)

SCALE
 1" = 40'

APPROVED AS NOTED
 BY CITY ENGINEER OF WICHITA

Sanitary Sewer: VRH 9/10/98
 Storm Sewer: VRH 9/10/98
 Driveway Approaches: _____
 Meter Mains: _____
 Paving: _____

NOTE TO CONTRACTORS
 Inspection and tests for this project are to be provided by a Licensed Consulting Engineering Firm under contract with the Owner/Developer. Said inspection is to be in accordance with the City of Wichita standard construction engineering practices and verified by a Licensed Professional Engineer. No work shall be performed or materials furnished or public right-of-way by the Contractor without such inspection, nor shall any work be commenced without written authorization by the City Engineer.

BENCH MARK:
 CITY OF WICHITA DISC. N. END OF W. HEADWALL OF R.C.B.C. 100 FT. N. OF INTERSECTION OF HARRY AND HOOVER.
 ELEV. 114.26 (CITY DATUM)

- NOTES
- ALL STORM SEWER CONSTRUCTION AND MATERIAL ON THIS PROJECT SHALL CONFORM TO CITY OF WICHITA STANDARD SPECIFICATIONS.
 - NO WORK ON STORM SEWER SHALL BEGIN WITHOUT PRIOR AUTHORIZATION (SEE APPROVAL NOTE TO CONTRACTOR)
 - EXISTING * CONTOURS SHOWN ARE AS PROPOSED ON SITE GRADING PLAN FOR WEST TOWNE INDUSTRIAL ADDITION, DATED SEPT. 20, 1997.

BOOKED
 9-11-00
 MCB
 D-479

REVISED "AS BUILT" 7-25-99 TEB

**PART OF LOTS 3 AND 4, WEST TOWNE IND. ADD.
 SITE GRADING AND STORM SEWER PLAN
 WICHITA, KANSAS**

SRB 924 NORTH MAIN 316-264-8008
 WICHITA, KANSAS 67203 FAX 264-4621
 http://www.srb.com/wrb E-mail: srb@west.com

**SAVOY, RUGGLES & BOHM, P. A.
 ENGINEERING & SURVEYING**

PROJECT NUMBER:
 843 PPS (607861)

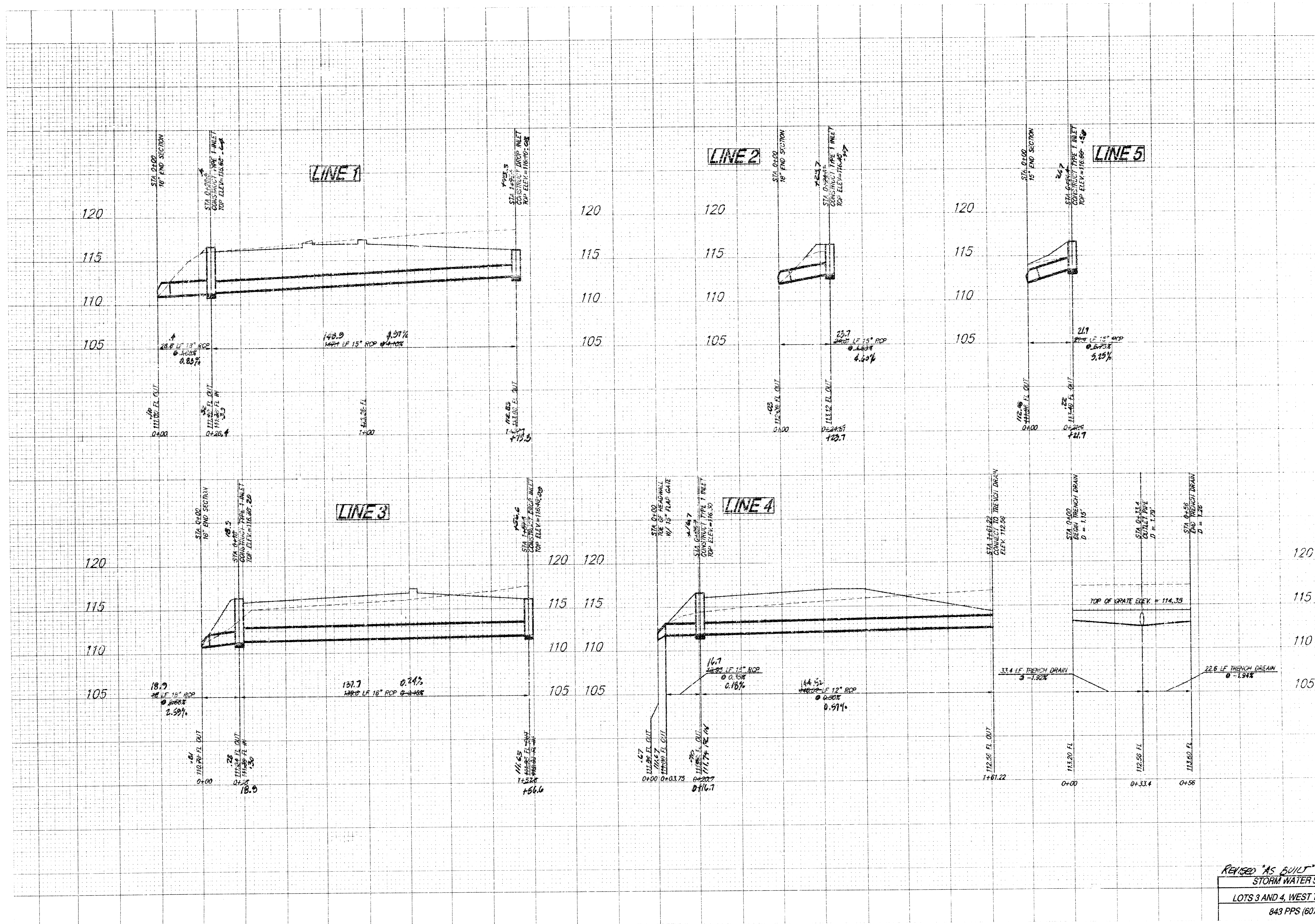
DESIGN	TCR	DRAWN	EJG/KWL	UTILITY	REVIEW	DATE	REVISION
						Sept. 10, 1998	

PROJECT NUMBER: 843 PPS (607861)

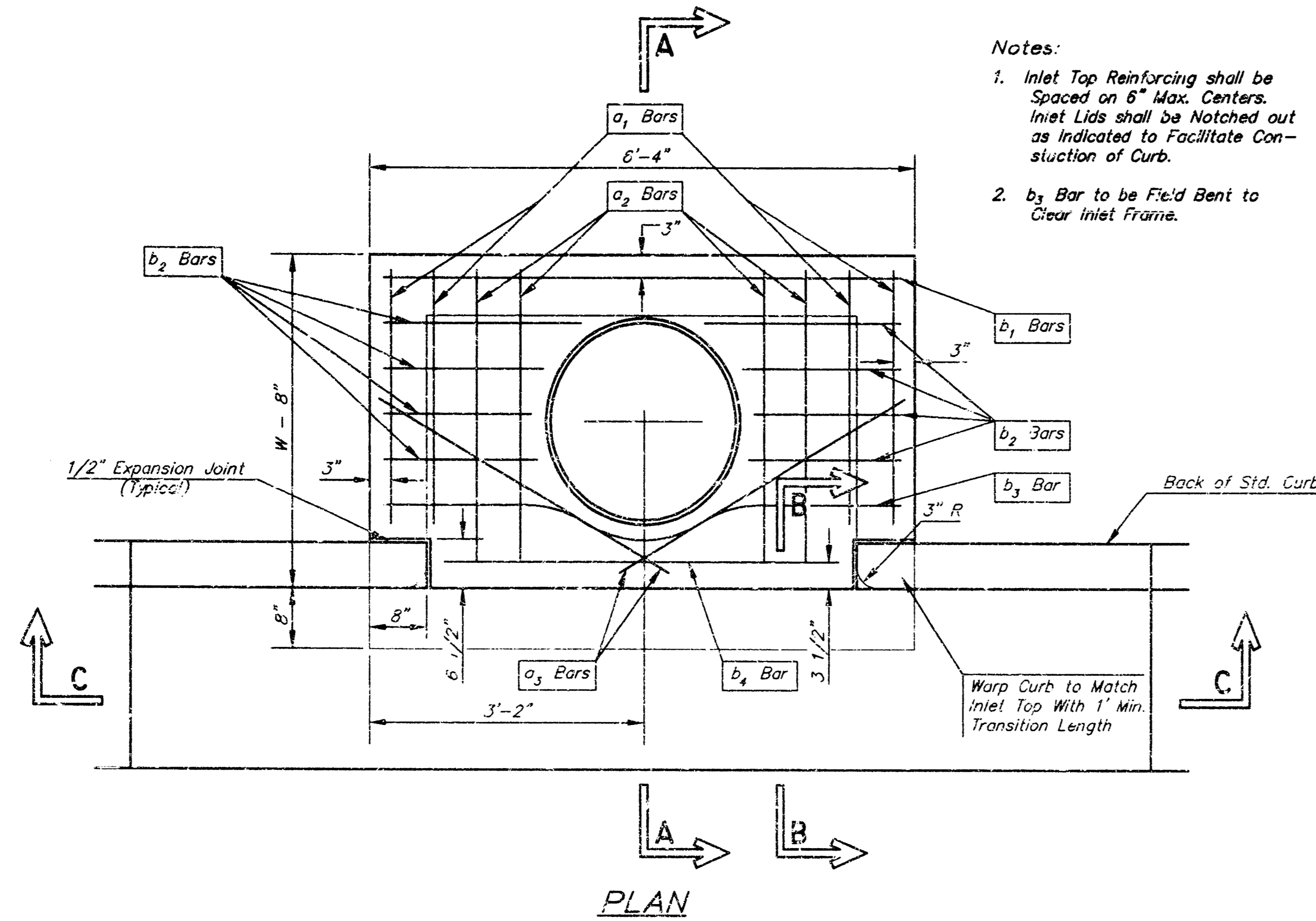
DATE: Sept. 10, 1998

Shirley A. Gist
 9-10-98

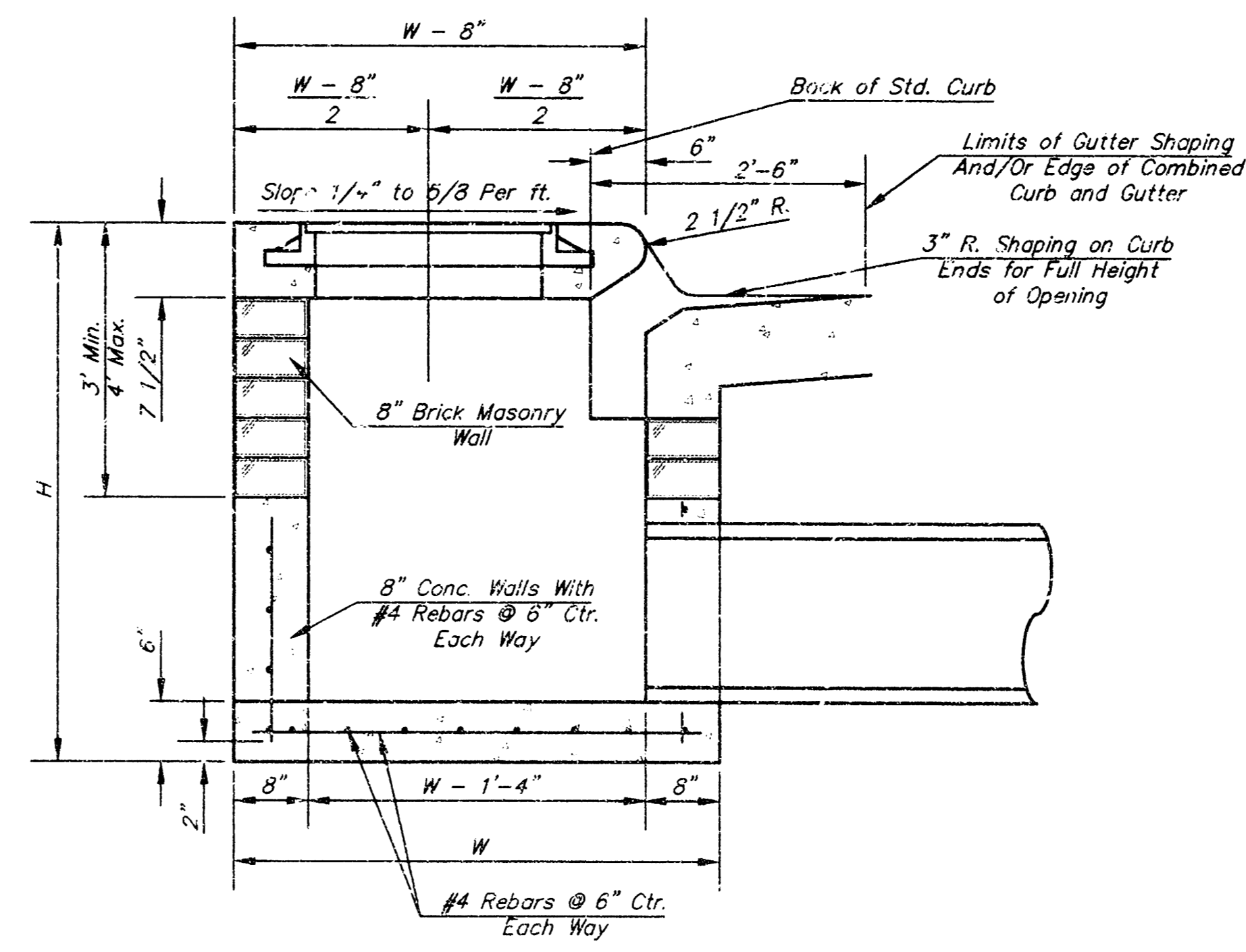
WICHITA-VALLEY CENTER
 FLOOD CONTROL RIGHT-OF-WAY
 CASE NO. A-31849



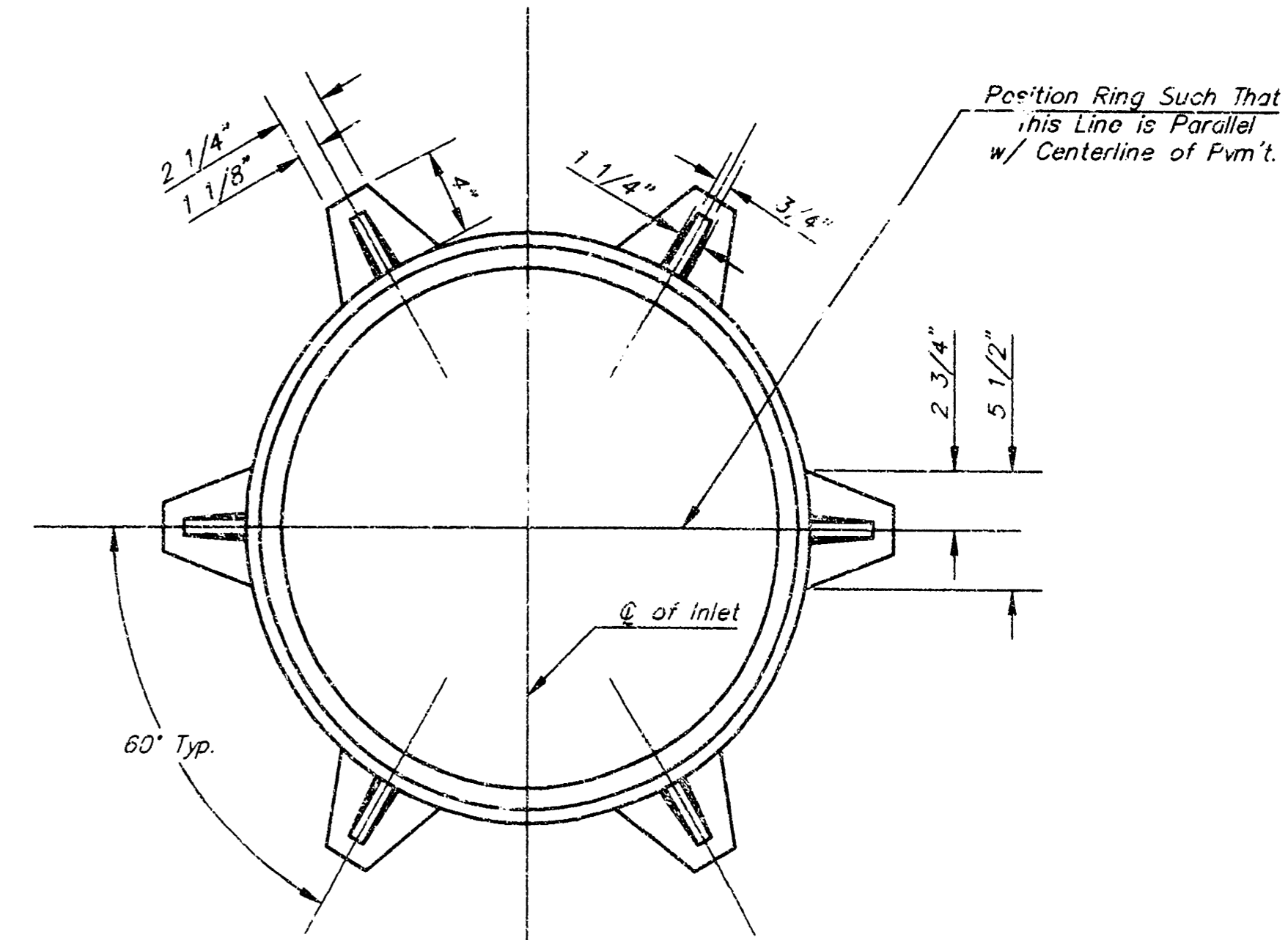
REVISION "AS BUILT" 2-25-99 TEB
 STORM WATER SEWER PROFILES
 LOTS 3 AND 4, WEST TOWNE INDUSTRIAL ADD.
 843 PPS (607861) 2/5



Notes:
 1. Inlet Top Reinforcing shall be Spaced on 6" Max. Centers. Inlet Lids shall be Notched out as Indicated to Facilitate Construction of Curb.
 2. b₁ Bar to be Field Bent to Clear Inlet Frame.

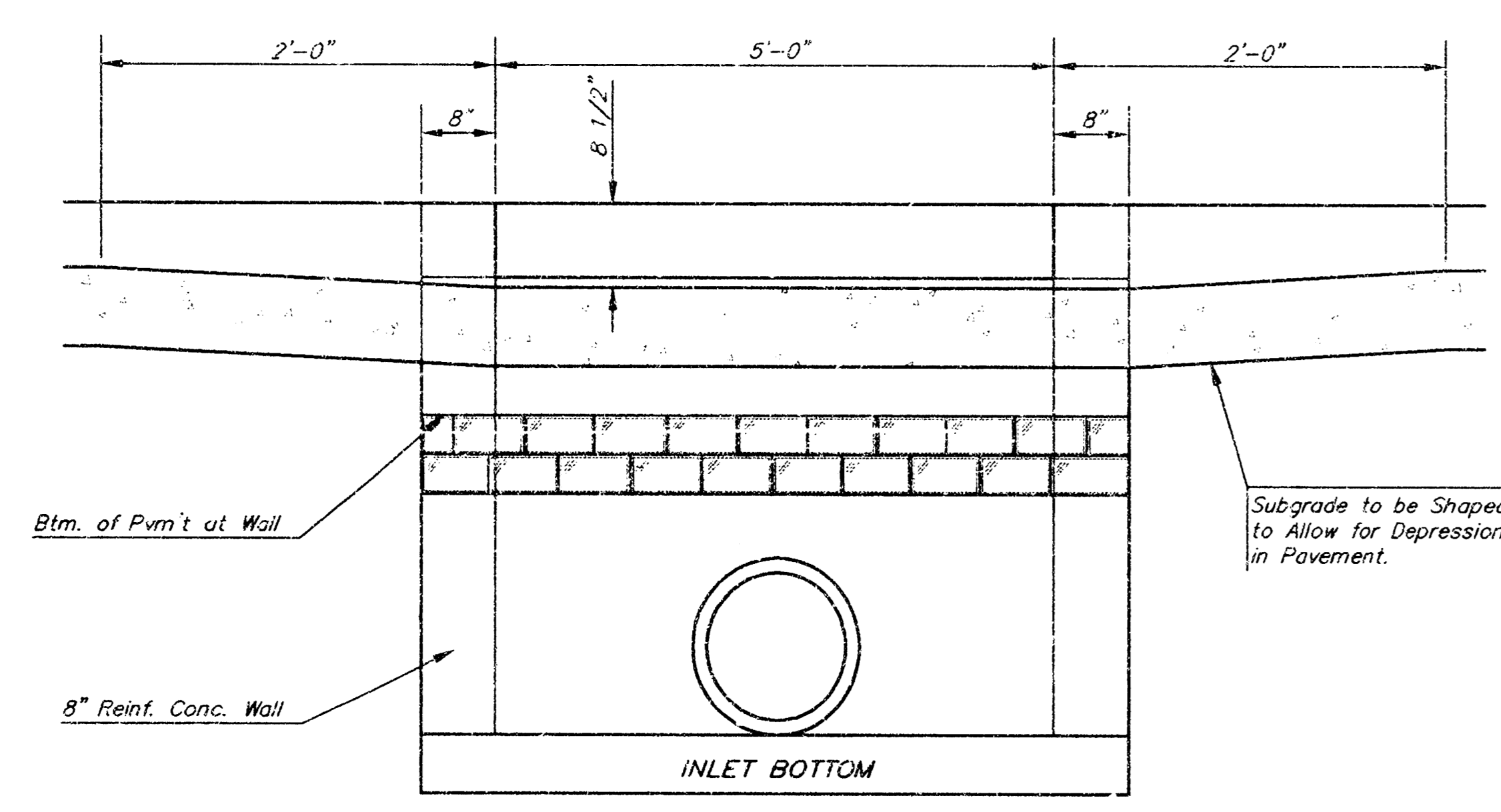


SECTION A-A

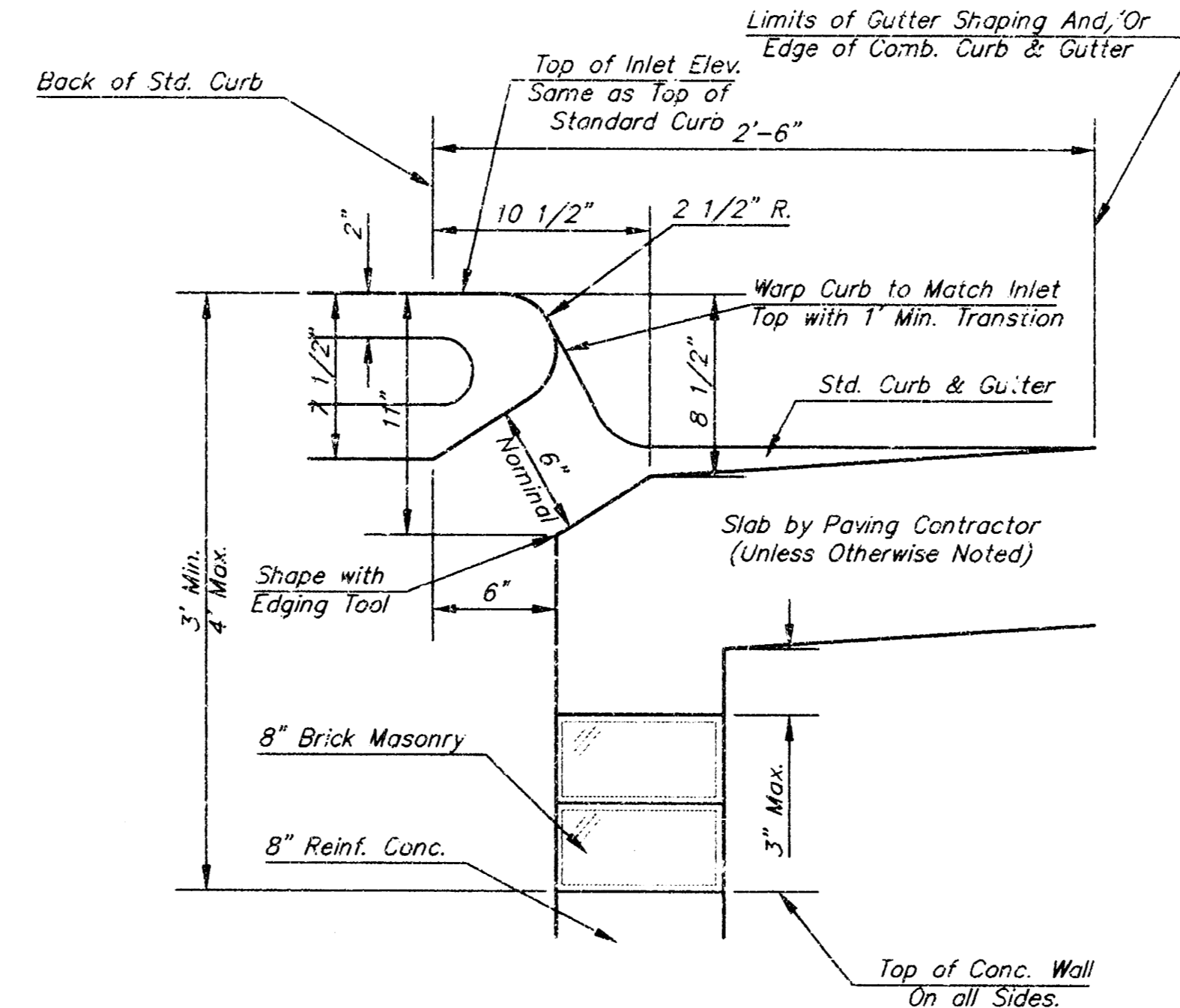


MANHOLE RING AND COVER

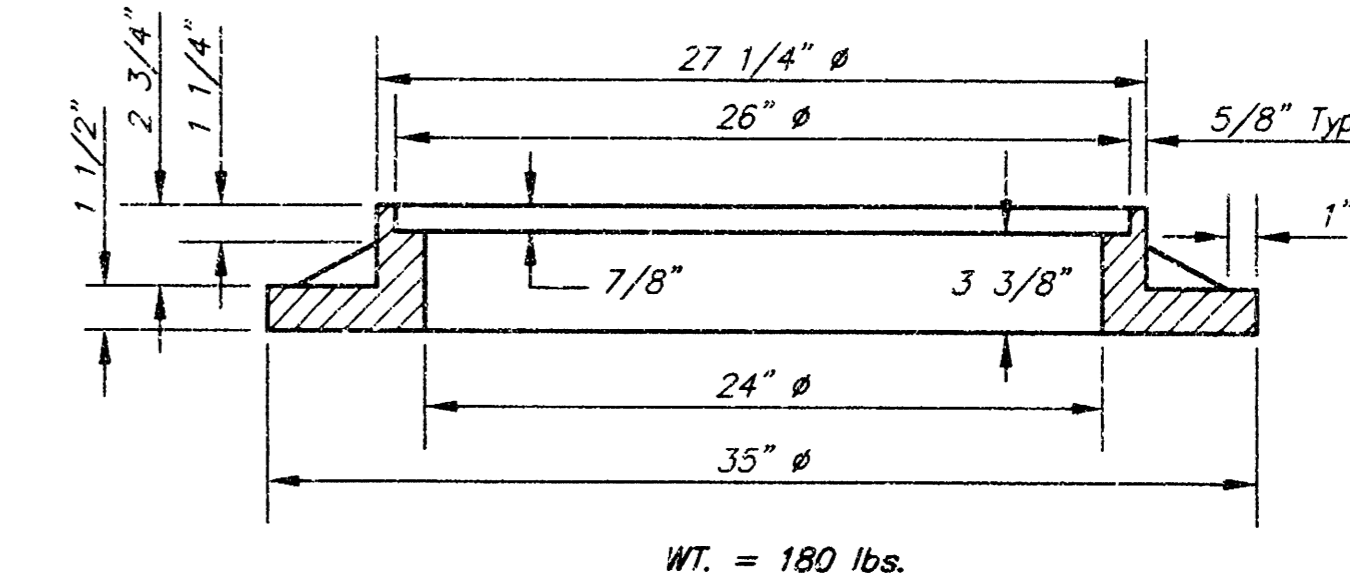
*See City of Wichita Standard Manhole Ring and Cover Detail Sheet for Cover Details to Be Used With Inlet Frame.



SECTION C-C



SECTION B-B



BENDING DIAGRAM

STEEL SCHEDULE

BAR NUMBER	SIZE										WT. LBS.	
	a ₁	a ₂	a ₃	b ₁				b ₂	b ₃	b ₄		
1	#4	#4	#4	#4	#4	#4	#4	#4	#4	#4	#4	60±
2	#4	#4	#4	#4	#4	#4	#4	#4	#4	#4	#4	81±
3	#4	#4	#4	#4	#4	#4	#4	#4	#4	#4	#4	101±
4	#4	#4	#4	#4	#4	#4	#4	#4	#4	#4	#4	121±
5	#4	#4	#4	#4	#4	#4	#4	#4	#4	#4	#4	141±

Note: a₃ Bars to be Placed Approx. 2" Below Top of Inlet Cover.

STANDARD CURB INLET PRECAST TOPS

W	PRE-CAST TOP SIZE	PIPE SIZE	CU. YD. CONC.
4'-4"	3'-8" 6'-4" 7 1/2"	21" & SMALLER	0.38±
5'-4"	4'-8" 6'-4" 7 1/2"	24" & 30"	0.51±
6'-4"	5'-8" 6'-4" 7 1/2"	36" & 42"	0.84±
7'-4"	6'-8" 6'-4" 7 1/2"	48" & 54"	0.77±
8'-4"	7'-8" 6'-4" 7 1/2"	60" & 66"	0.90±

GENERAL NOTES

- Concrete tops to be installed on thin mortar cushion to insure full support along brick walls. Concrete tops may be cast in place or precast. Concrete used for inlet construction shall be concrete pavement mix.
- Contractor shall have the option of constructing 8" brick masonry walls between the concrete inlet base and top on this inlet when W=6'-4" and H=7'-0" or less.
- Inlet invert shall be shaped with 8 sack sand mix concrete to create flow channels and to increase hydraulic efficiency such that the inlet will be self cleaning between all inlet and/or outlet pipes.
- The ends of all pipes installed in inlets shall be cut off flush with the inside face of the inlet wall.

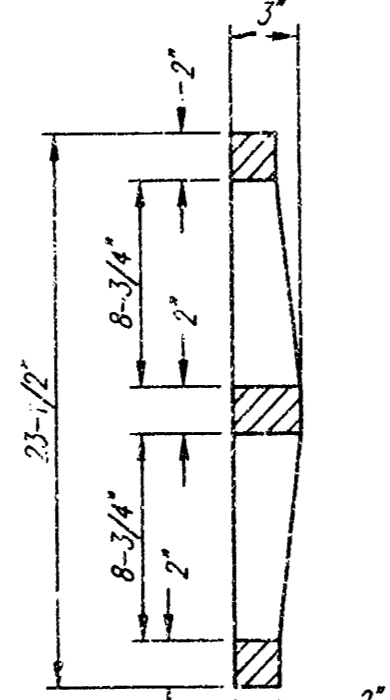
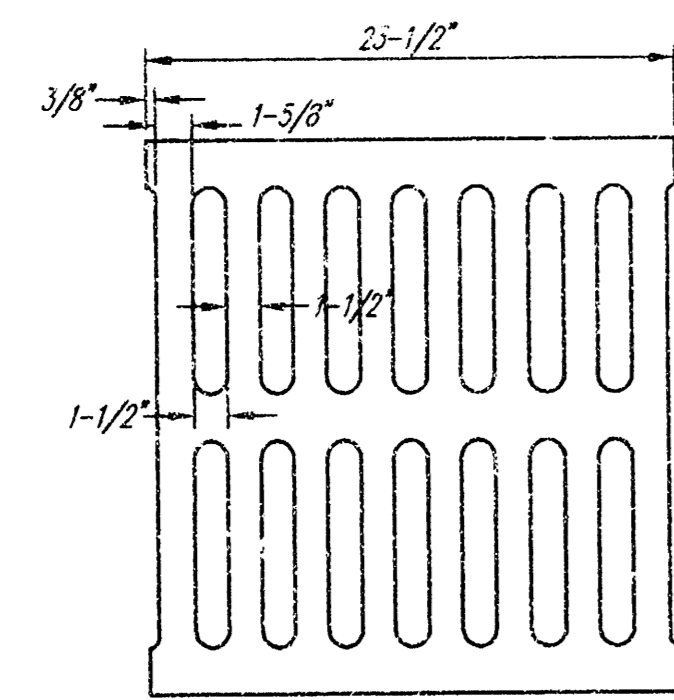
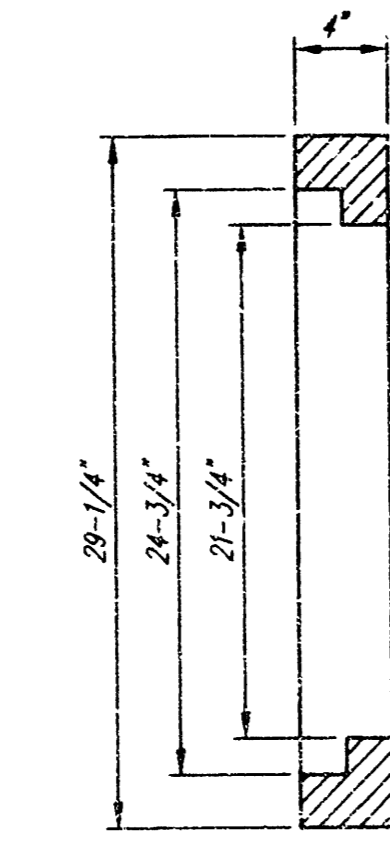
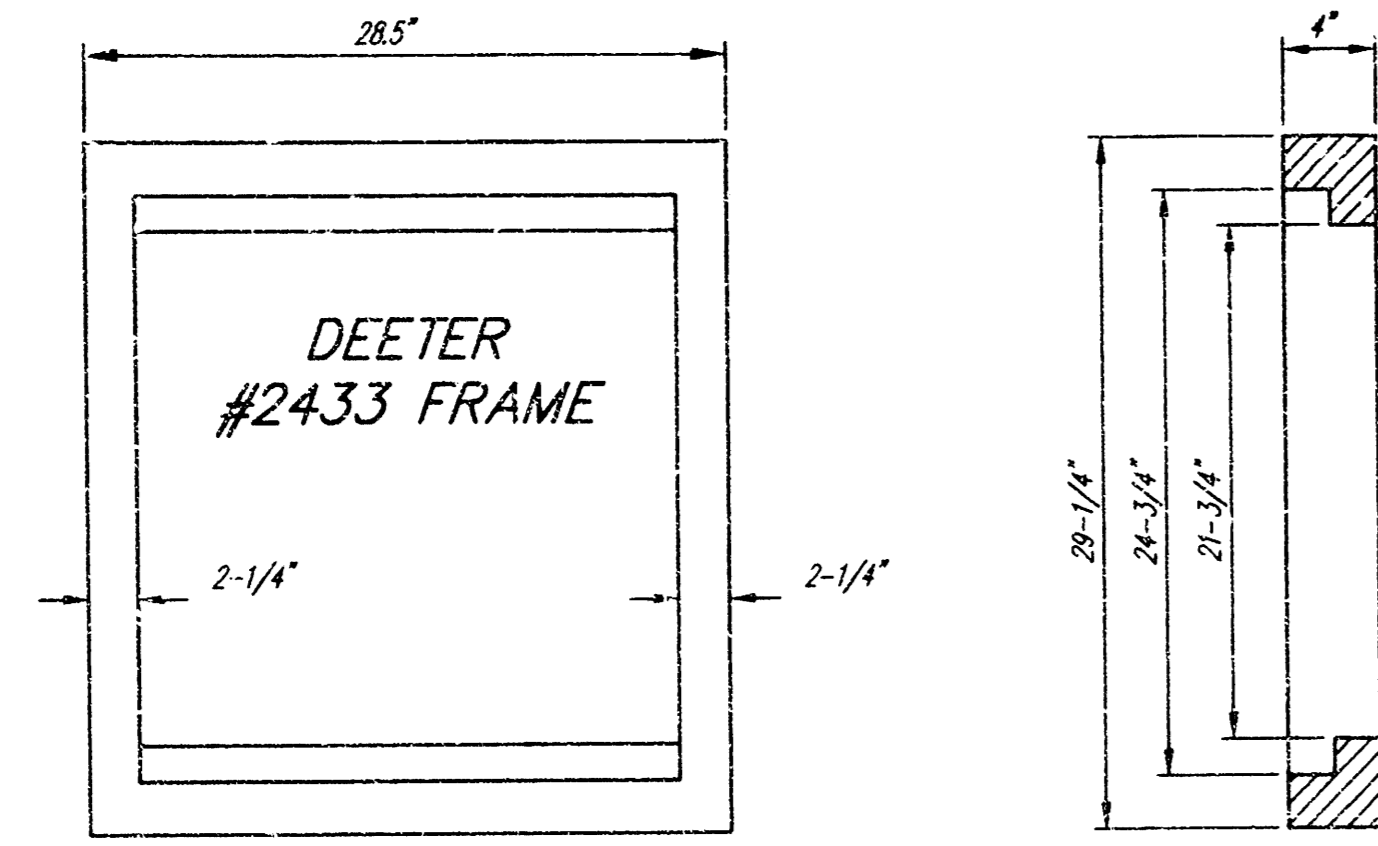
THE CITY OF WICHITA
CITY ENGINEER'S OFFICE
CITY HALL - SEVENTH FLOOR
455 NORTH MAIN STREET
WICHITA, KANSAS 67202
(316) 268-4501
(316) 268-4114 FAX

**STANDARD TYPE 1
CURB INLET
OPENING = 6"x5'-0"**

M. E. LINDEBAK P.E. - CITY ENGINEER

PROJECT NUMBER: 843 PPS
INDEX CODE: (607861)

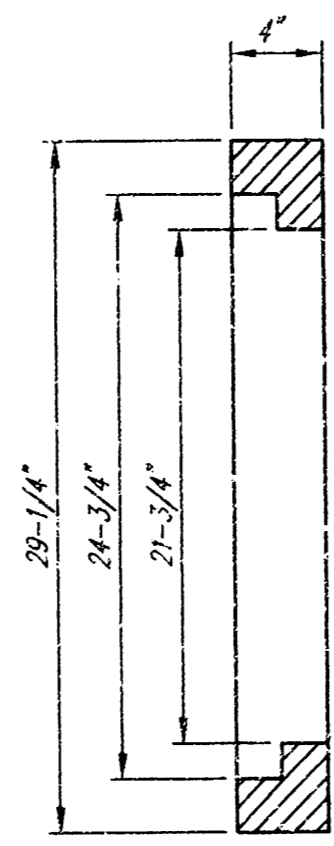
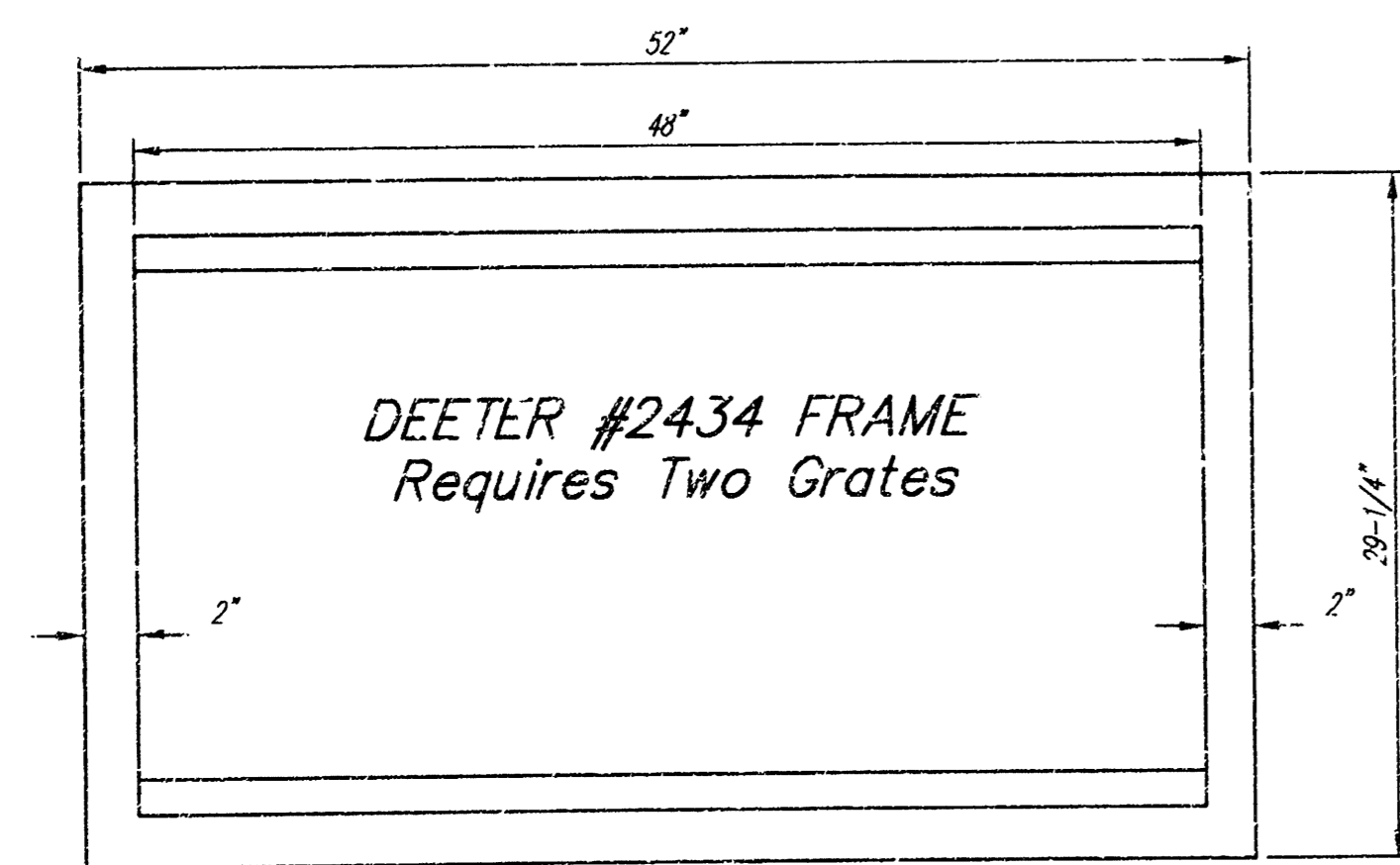
DATE: MAR 96
SHEET 3 OF 5



NOTE: Grates shall be imprinted on the top surface with "CITY OF WICHITA" using letters at least 1" in height. Other marking methods may be approved by the engineer.

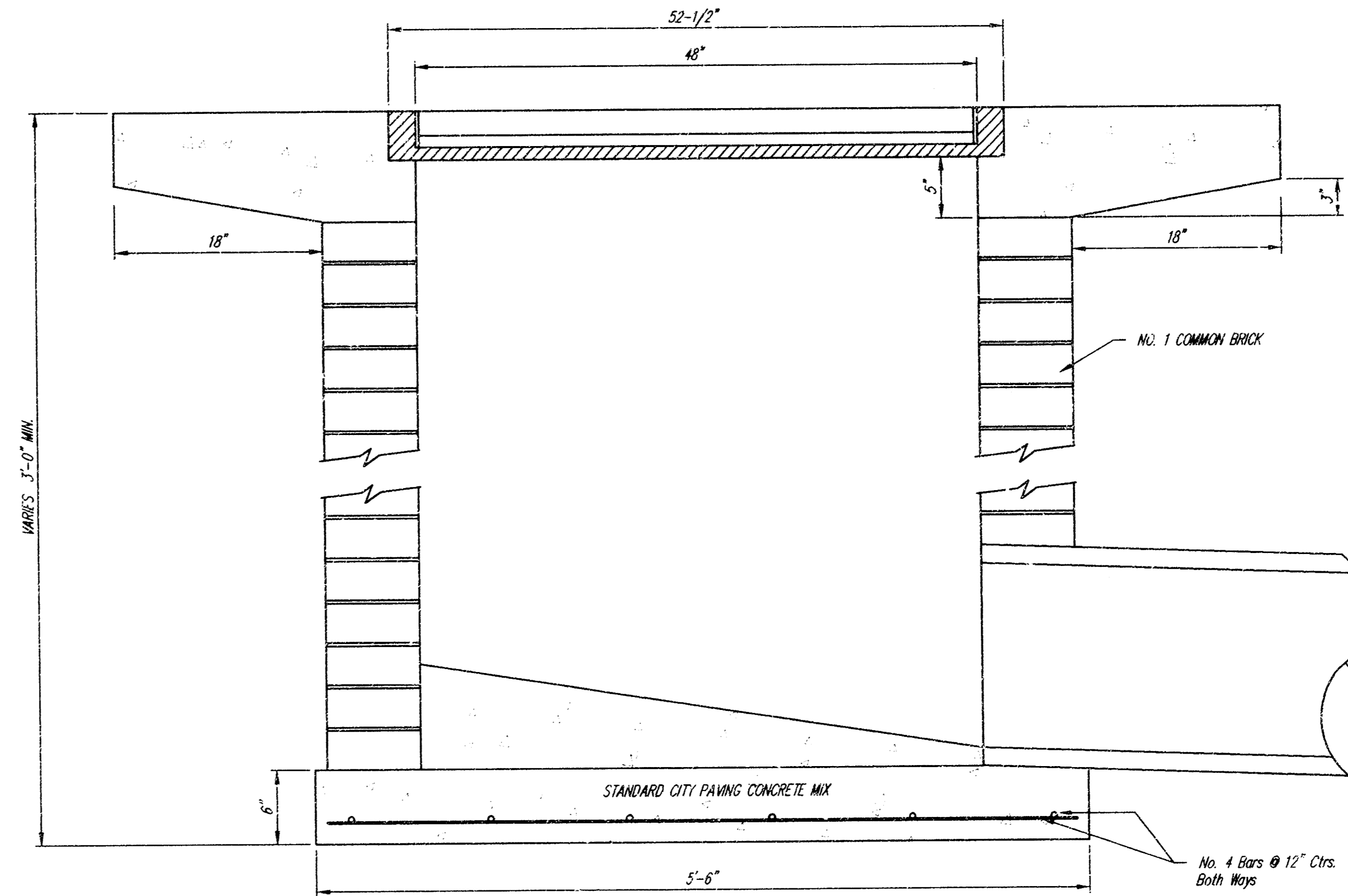
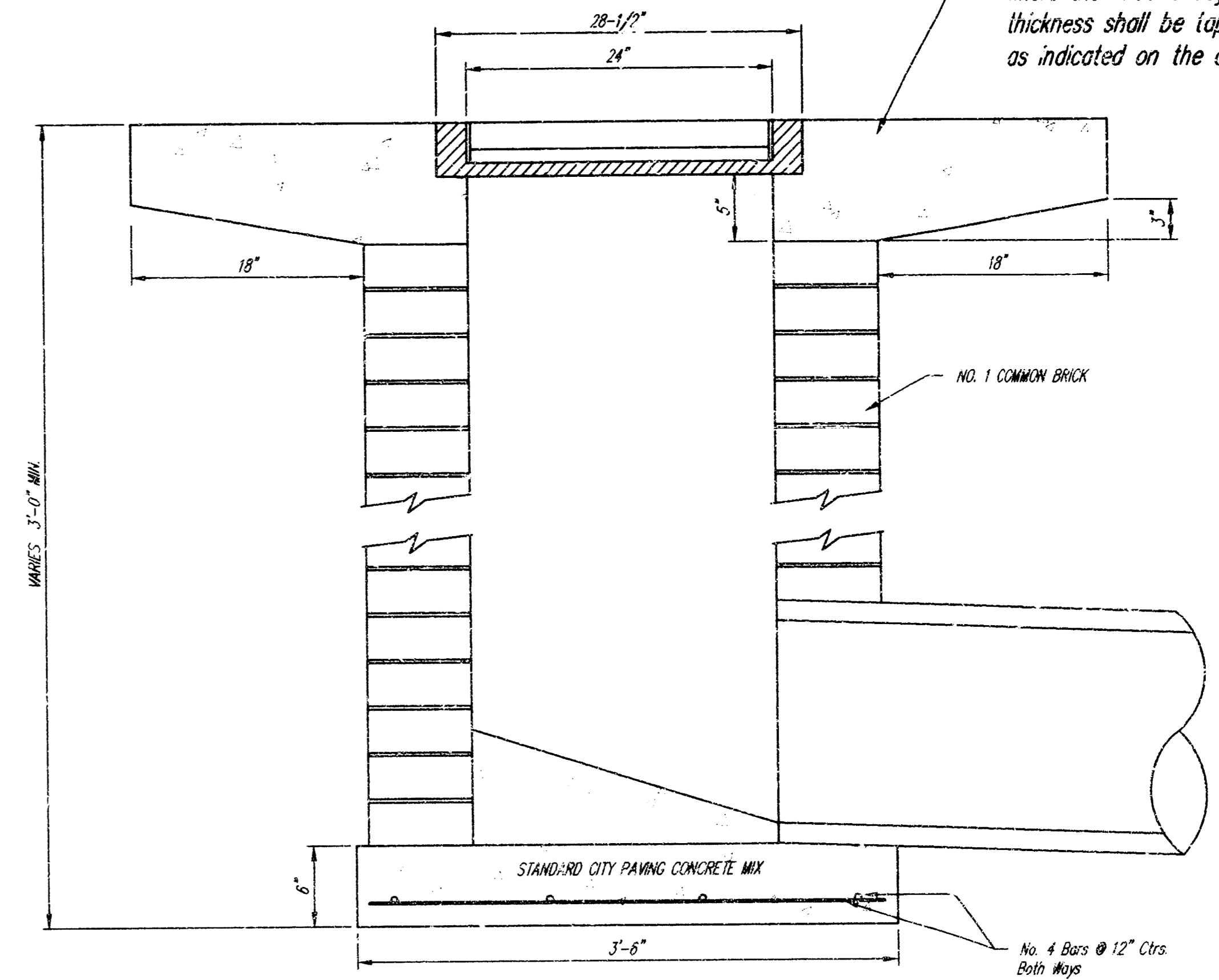
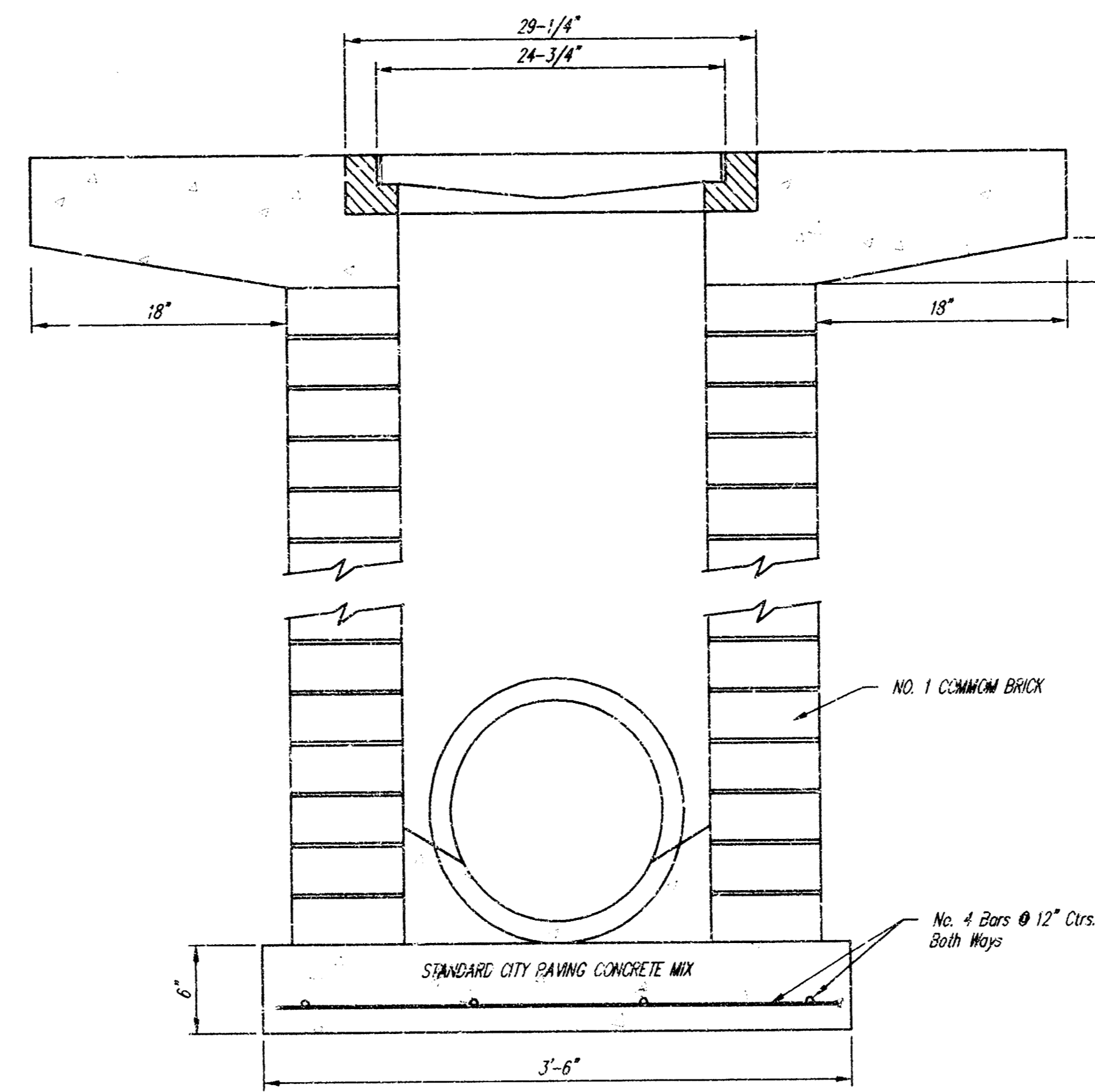
DEETER #2433 GRATE

24" x 24" Frame and Grate Detail

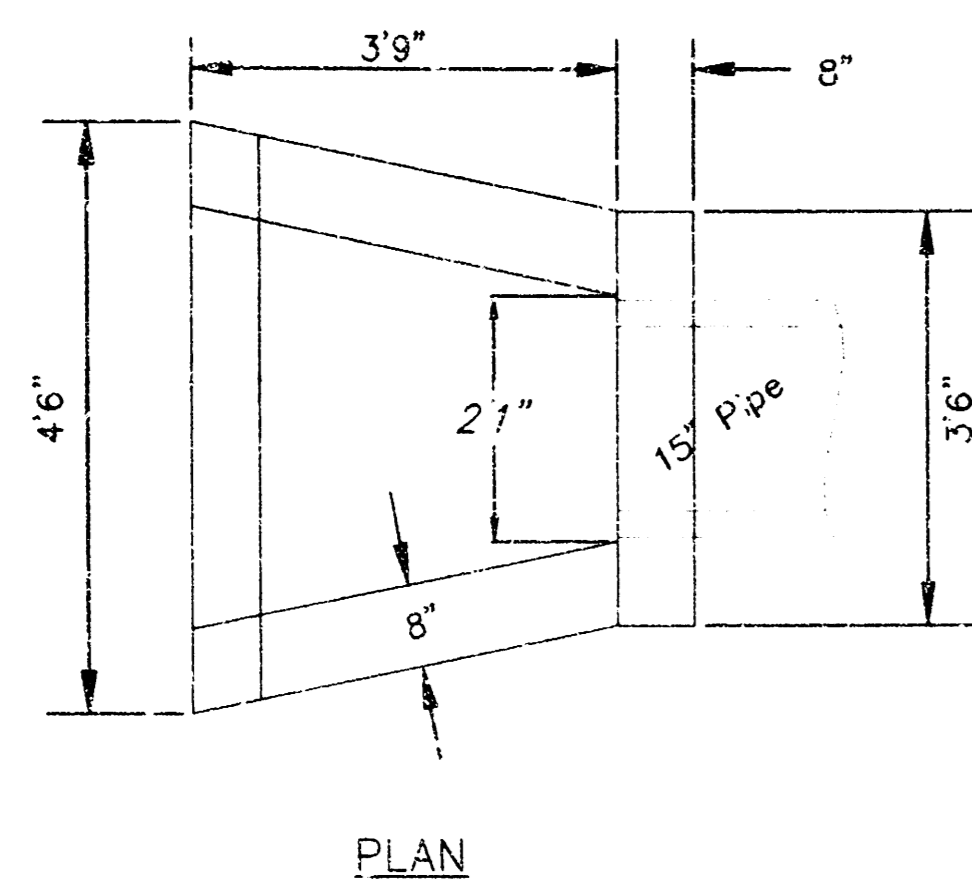


DEETER #2434 FRAME
Requires Two Grates

Double 24" x 24" Frame Detail



<p>THE CITY OF WICHITA</p> <p>CITY ENGINEER'S OFFICE CITY HALL - 8TH FLOOR 405 NORTH W. STREET WICHITA, KANSAS 67202 (316) 268-2501 (316) 268-6114 FAX</p>	DROP INLET 2'x2' / 2'x4'	
	M. E. LINDEBAK P.E. - CITY ENGINEER	
	PROJECT NUMBER 843 PPS	INDEX CODE (607861)
	DATE MAR 96	SHEET 4 OF 5

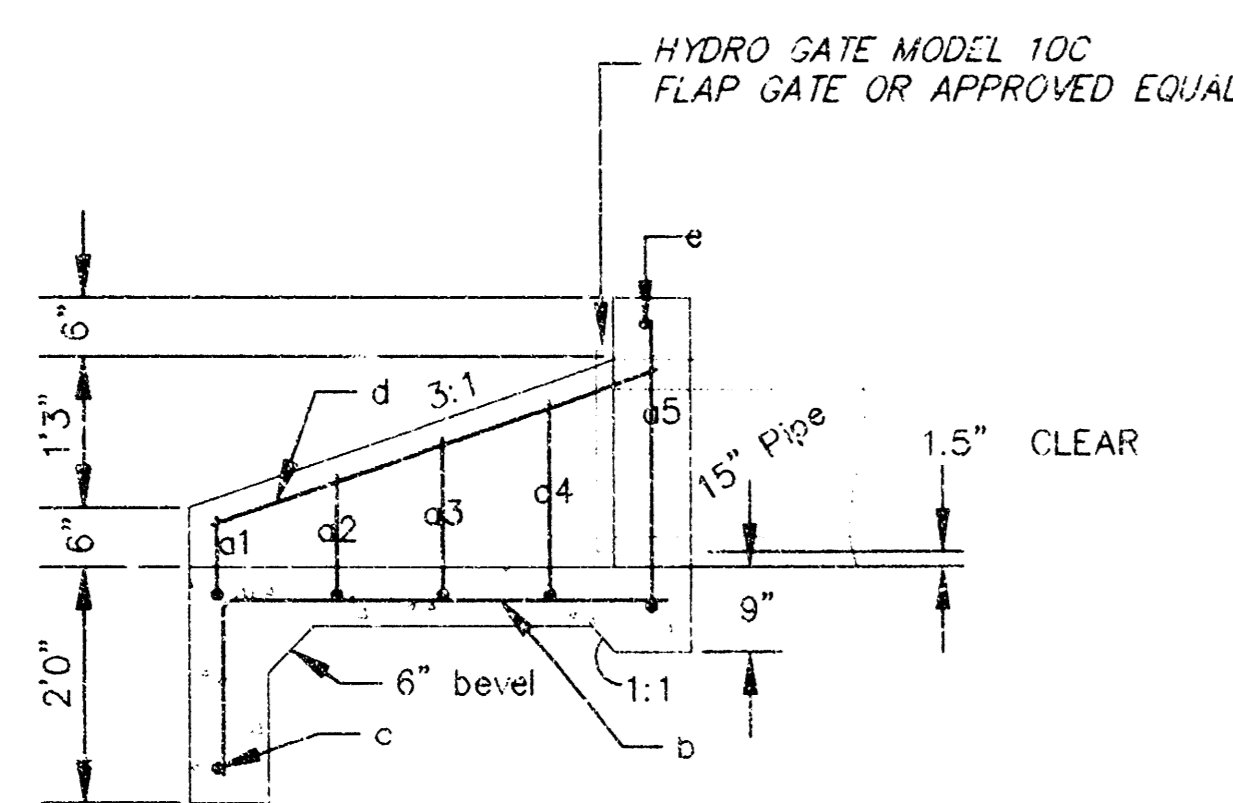


PLAN

BAR	NUMBER	LENGTH	SHAPE	WEIGHT
a1	1	5'0"	[U]	3.34
a2	1	5'3"	[U]	3.51
a3	1	5'8"	[U]	3.79
a4	1	6'1"	[U]	4.06
a5	1	7'2"	[U]	4.79
b	5	5'6"	[U]	18.37
c	1	4'0"	[U]	2.67
d	2	4'0"	[U]	5.34
e	1	3'2"	[U]	2.12
Total Rebar, lbs				47.99
Concrete, C.Y.				0.91

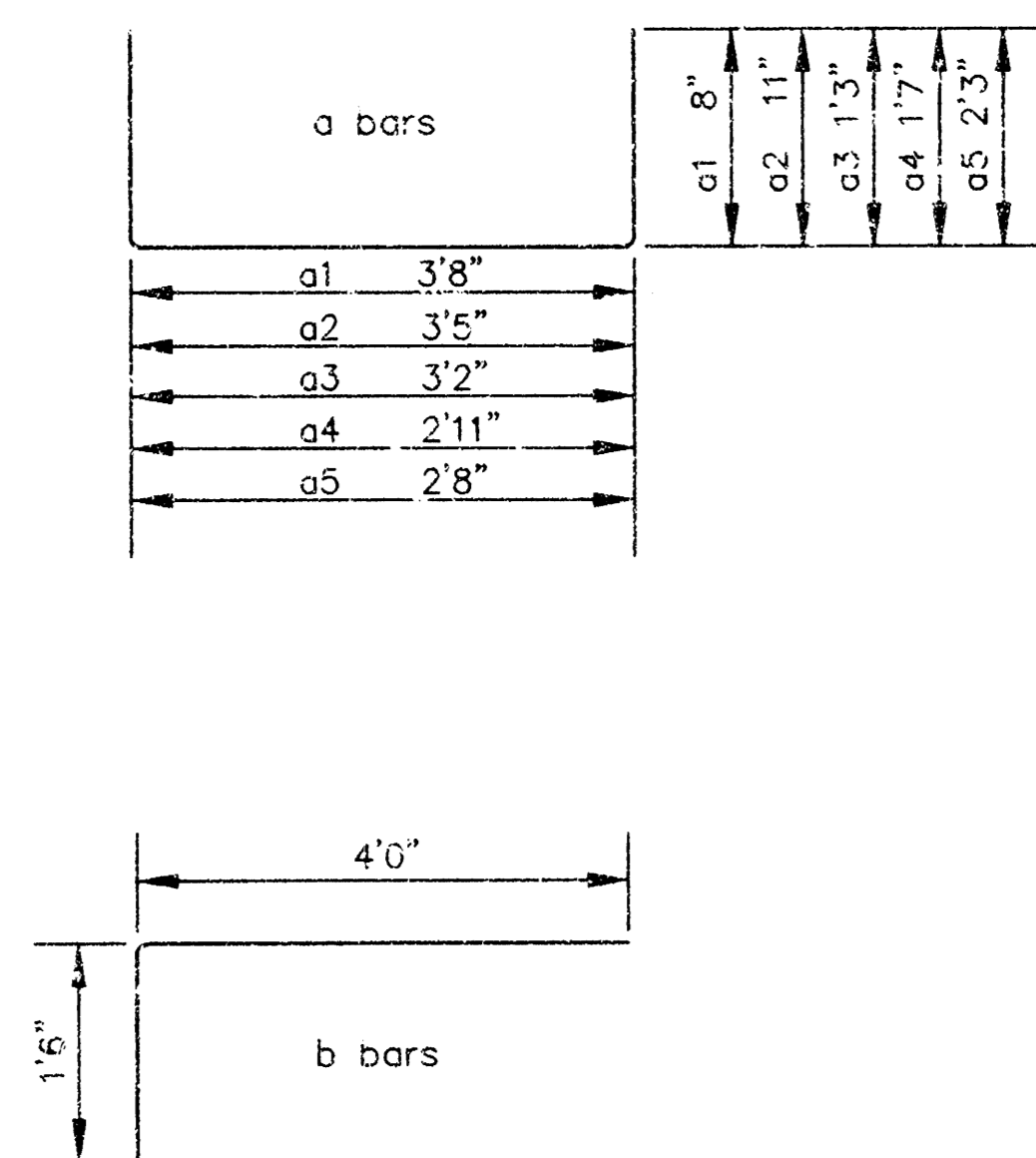
All rebars to be #4.

HEADWALL FOR 15" PIPE

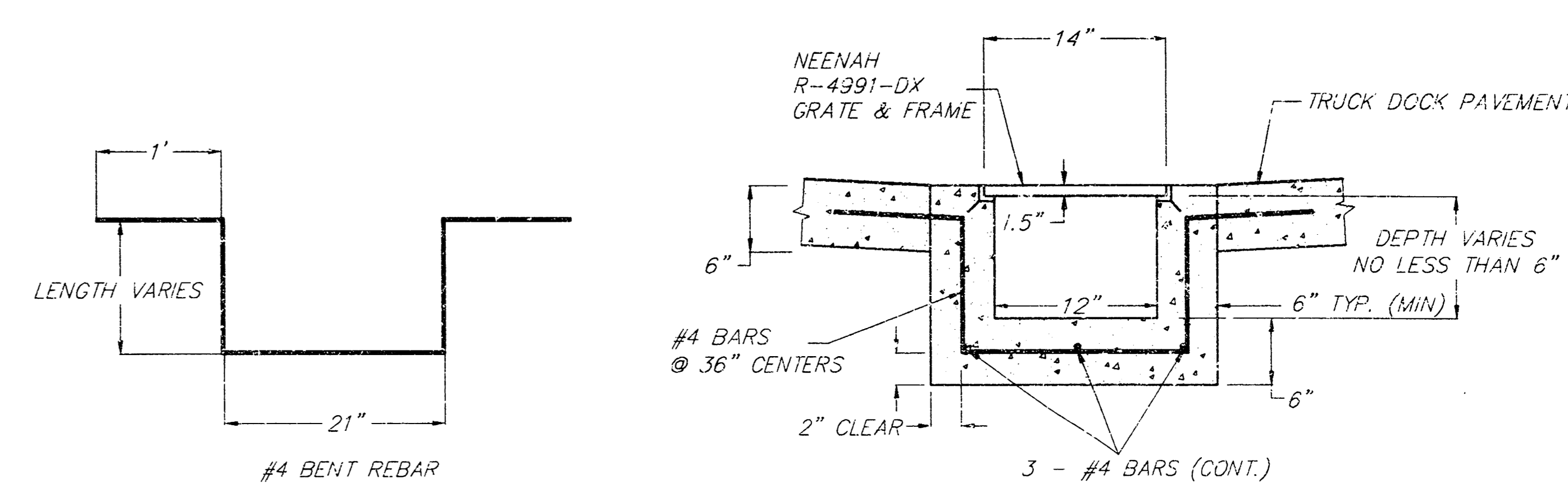


All rebars to be #4.
All exposed edges to have 1/2" bevel.

SECTION



HEAD WALL DETAIL WITH FLAP GATE



TRENCH DRAIN DETAIL

Miscellaneous Storm Water Sewer Details
ICT (60 VAN) CITY STATION FACILITY
WICHITA, KANSAS

SRB		924 NORTH MAIN WICHITA, KANSAS 67203 http://www.ksst.com/~srb	316-264-8008 FAX 264-4821 E-mail: srb@ksst.com
SAVOY, RUGGLES & BOHM, P. A. ENGINEERING & SURVEYING			
PROJECT NUMBER 843 PPS (607861)			
DESIGN TCR	DRAWN EJG	UTILITY	REVIEW DATE Sept. 10, 1993

SHEET
5
OF
5