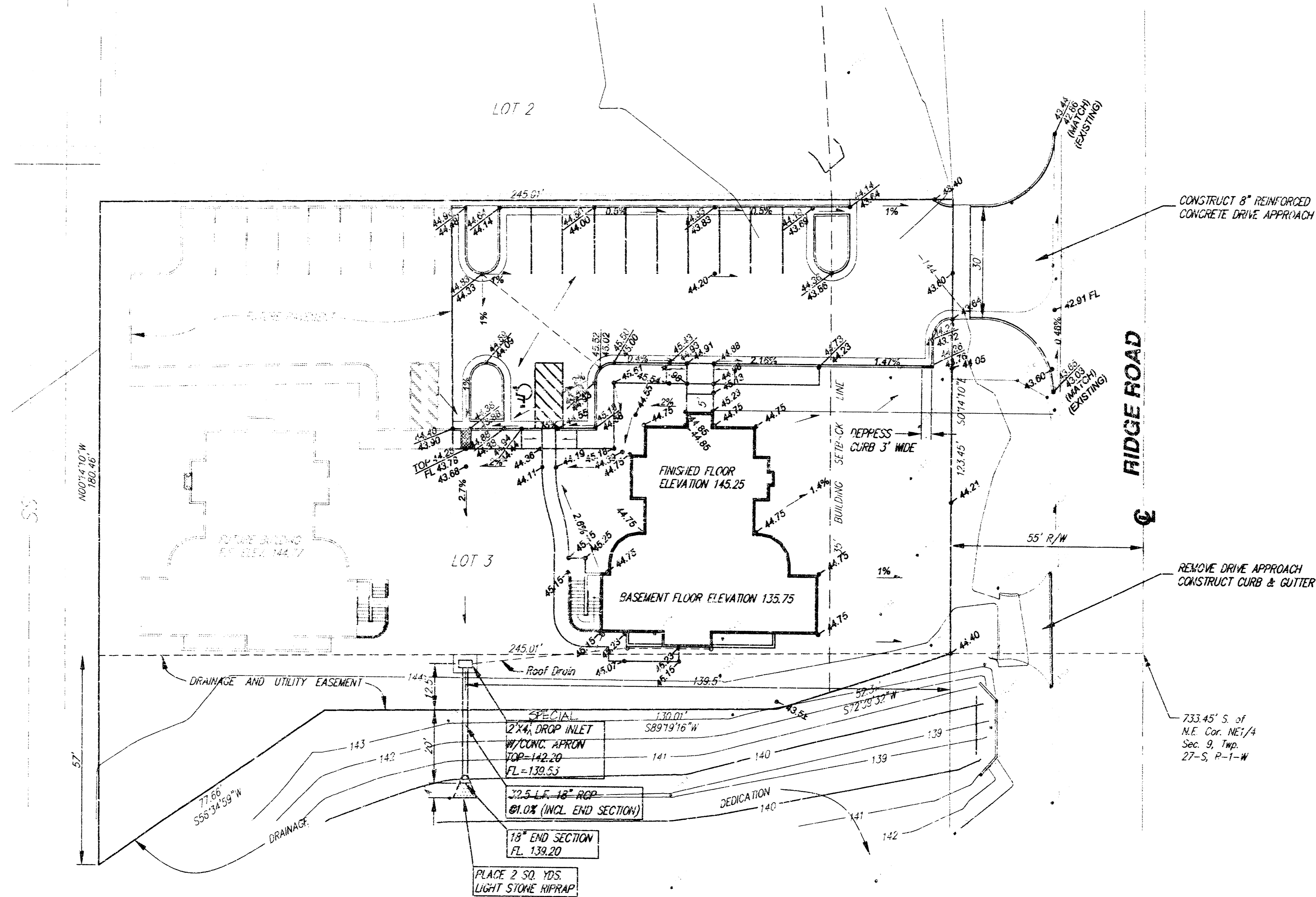


FLUME DETAIL

SRB
 1" = 20'
 ELEV = CITY DATUM



BOOKED
 5/15/00
 MCB
 D-162

APPROVED AS NOTED
 BY CITY ENGINEER OF WICHITA

Sanitary Sewers _____
 Storm Sewers VRH 9/20/98
 Driveway Approaches _____
 Water Mains _____
 Paving _____

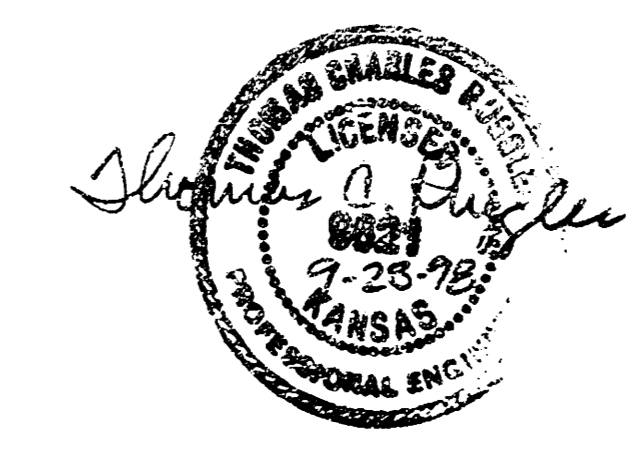
NOTE TO CONTRACTORS

Inspection and testing for this project are to be provided by a Licensed Consulting Engineering Firm under contract with the Owner/Developer. Said inspection to be in accordance with the City of Wichita standard construction engineering practices and certified by a Licensed Professional Engineer. No work shall be performed in dedicated easements or public right-of-way by the Contractor without such inspection, nor shall any work be commenced without written authorization by the City Engineer.

RM - CITY OF WICHITA STD. DISC. 61'
 E. & 66.6' N. OF INTERSECTION OF
 CENTERLINES OF RIDGE RD. & 21ST
 ST. N. ELEV. 142.34 (CITY DATUM)

NOTE: All storm sewer construction on this project shall conform to City of Wichita Standard Specifications, March 1998 edition.

AS-BUILT NOTE: USED ALTERNATE PRECAST DROP INLET MFG. BY WICHITA CONCRETE PIPE CO. (48" I.D. W/DEETER # 2512 GRATES)



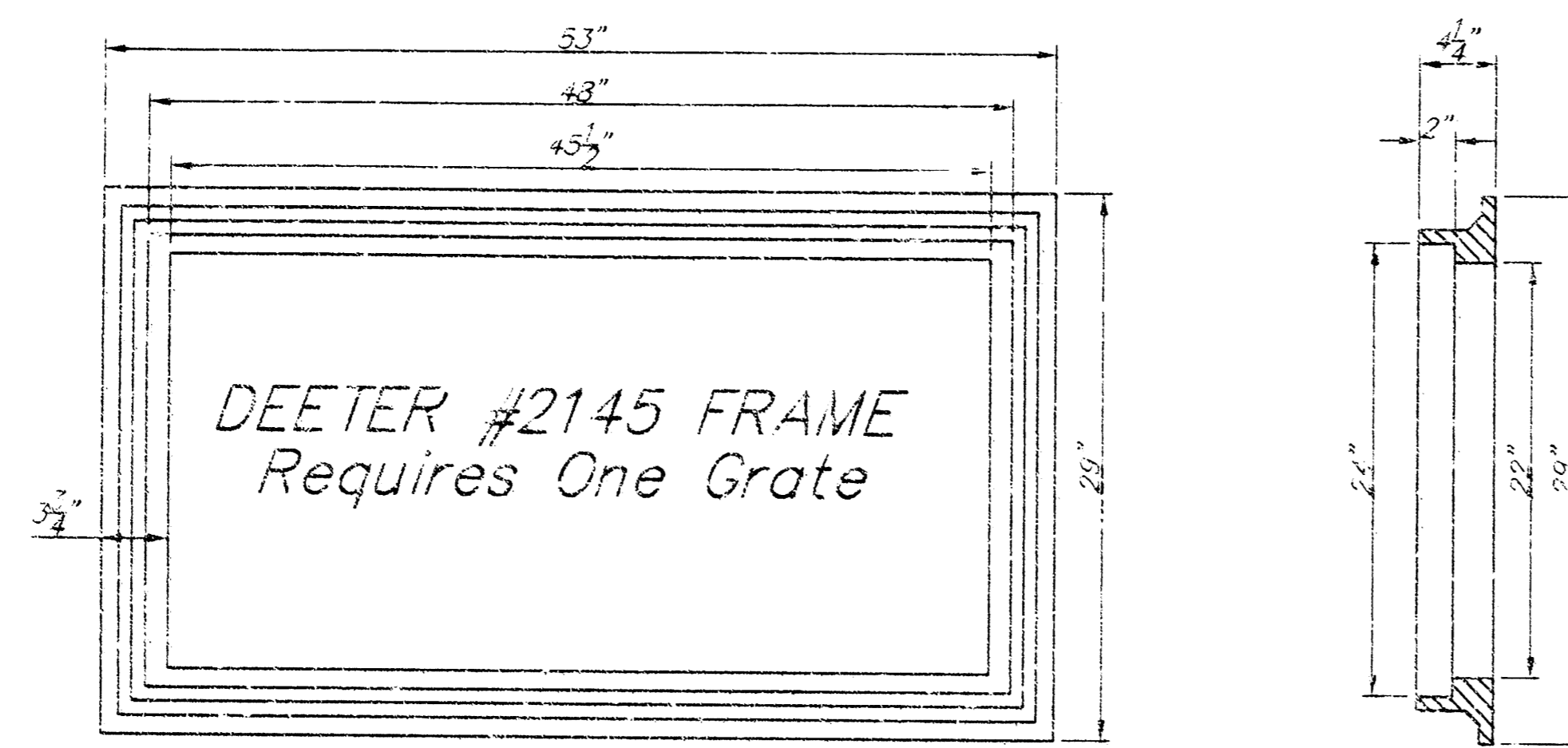
REVISED AS BUILT 12-18-98 SCR

**LOT 3, R.M.C. ADDITION
 SITE GRADING AND PRIVATE STORM SEWER
 WICHITA, KANSAS**

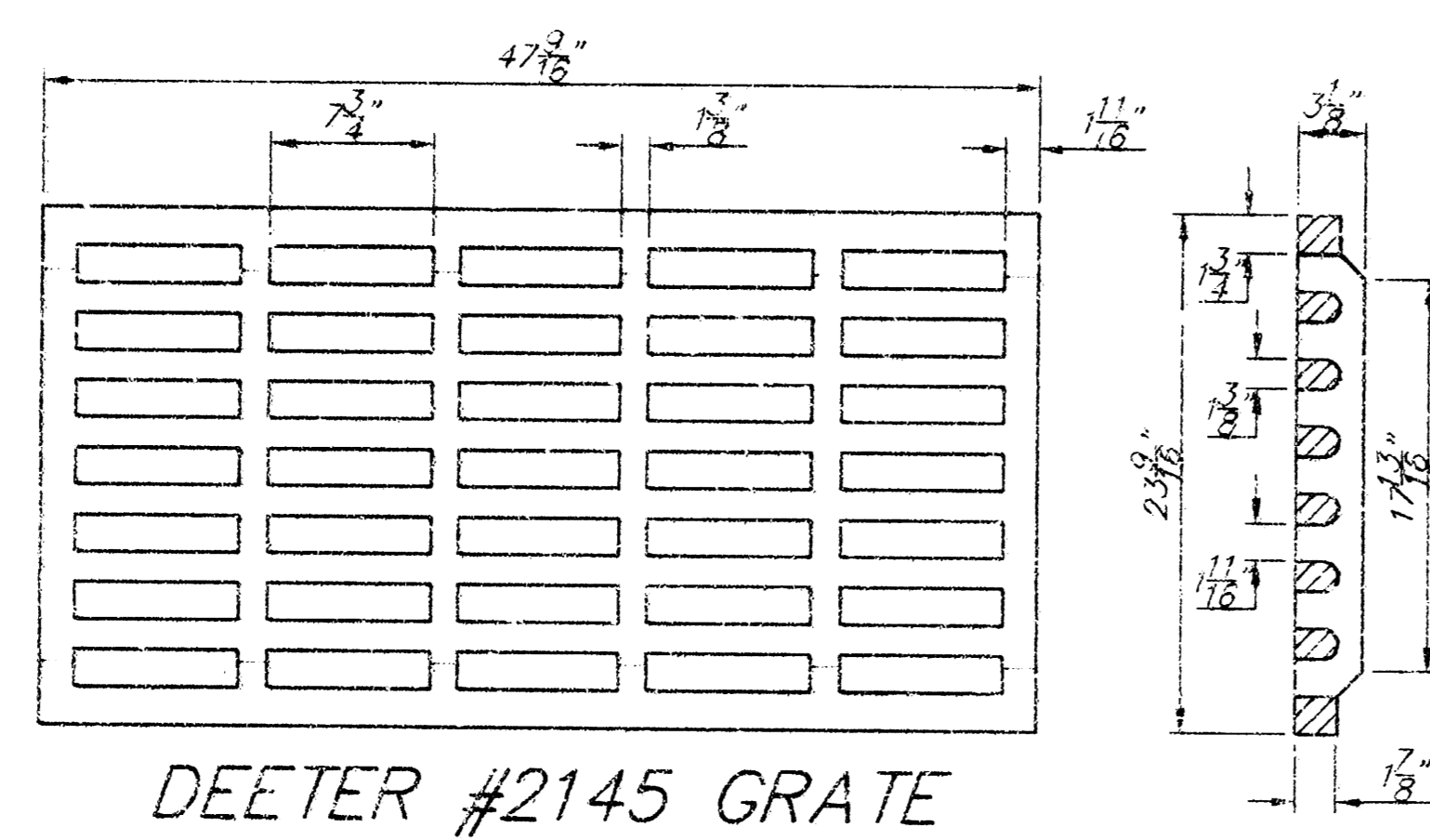
SRB 824 NORTH MAIN WICHITA, KANSAS 67203
 SAVOY, RUGGLES & BOHM, P.A.
 ENGINEERING & SURVEYING

Project Number 852 PPS (607861)

DESIGN	TOR	DRAWN	JTS	UTILITY	JCR	REVIEW	JCR	DATE	Sept. 18, 1998	REVISED	Date
--------	-----	-------	-----	---------	-----	--------	-----	------	----------------	---------	------

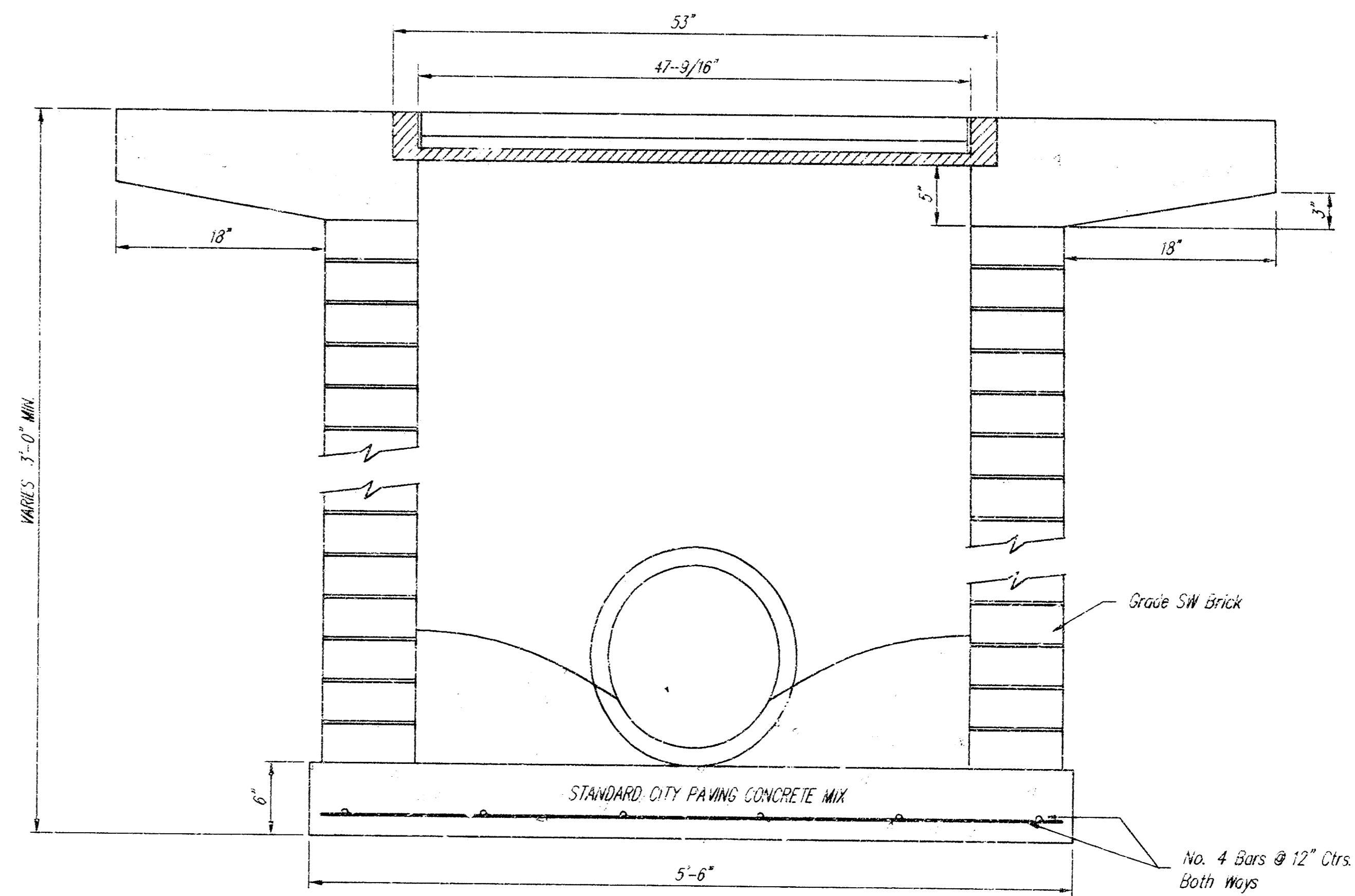
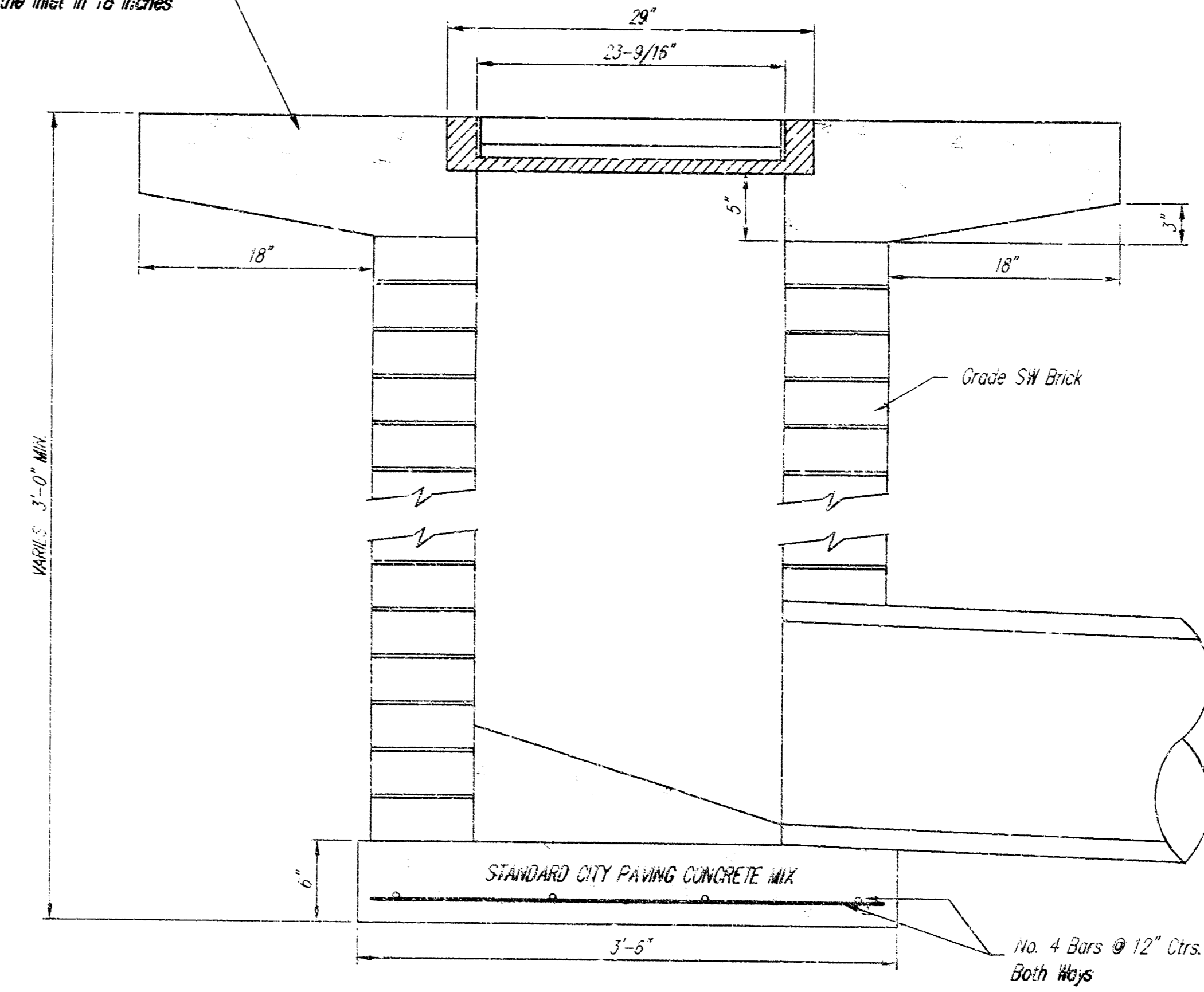


48" x 24" Frame Detail



48" x 24" Grate Detail

Note: Concrete apron shall be constructed around the inlet when inlet is located in an unpaved area. Where the inlet is adjacent to pavement, the pavement thickness shall be tapered to the inlet in 18 inches as indicated on the detail.



ALTERNATE NOTE: USED ALTERNATE PRECAST DROP INLET MFG. BY WICHITA CONCRETE PIPE CO. (40" I.D.)

LOT 3, R.M.C. ADDITION			
2' x 4' DROP INLET DETAILS			
WICHITA, KANSAS			
SRB		924 NORTH MAIN WICHITA, KANSAS 67203 http://www.srb.com/rep	
		315-264-8008 FAX 264-4621 E-mail: srb@srb.com	
SAVOY, RUGGLES & BOHM, P.A.			
ENGINEERING & SURVEYING			
PROJECT NUMBER 852 PPS			
DESIGN	DOWN	UTILITY	REVISION
JDS	JTS		SR
		DATE	REVISED
		Sept. 18, 1998	