

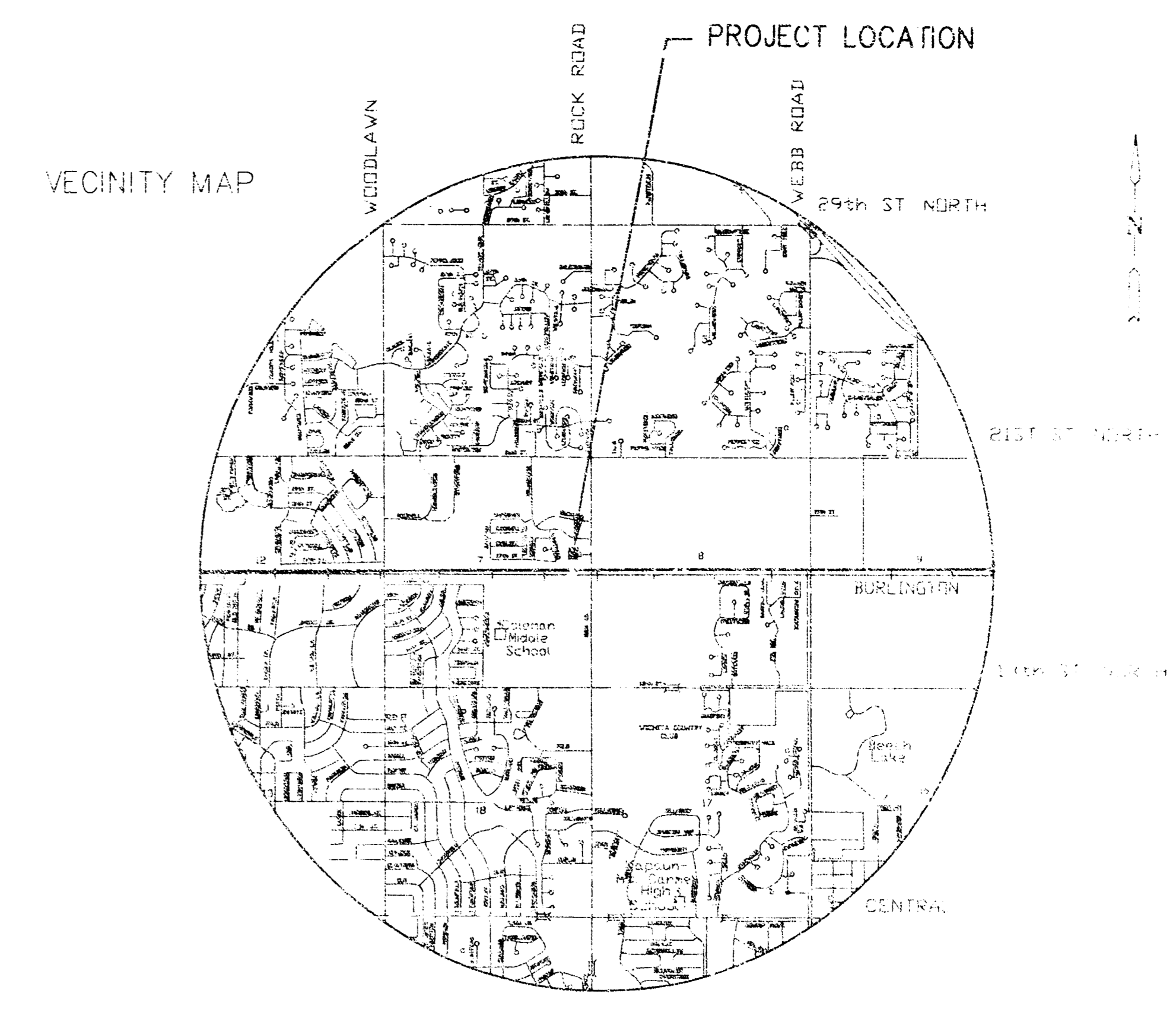
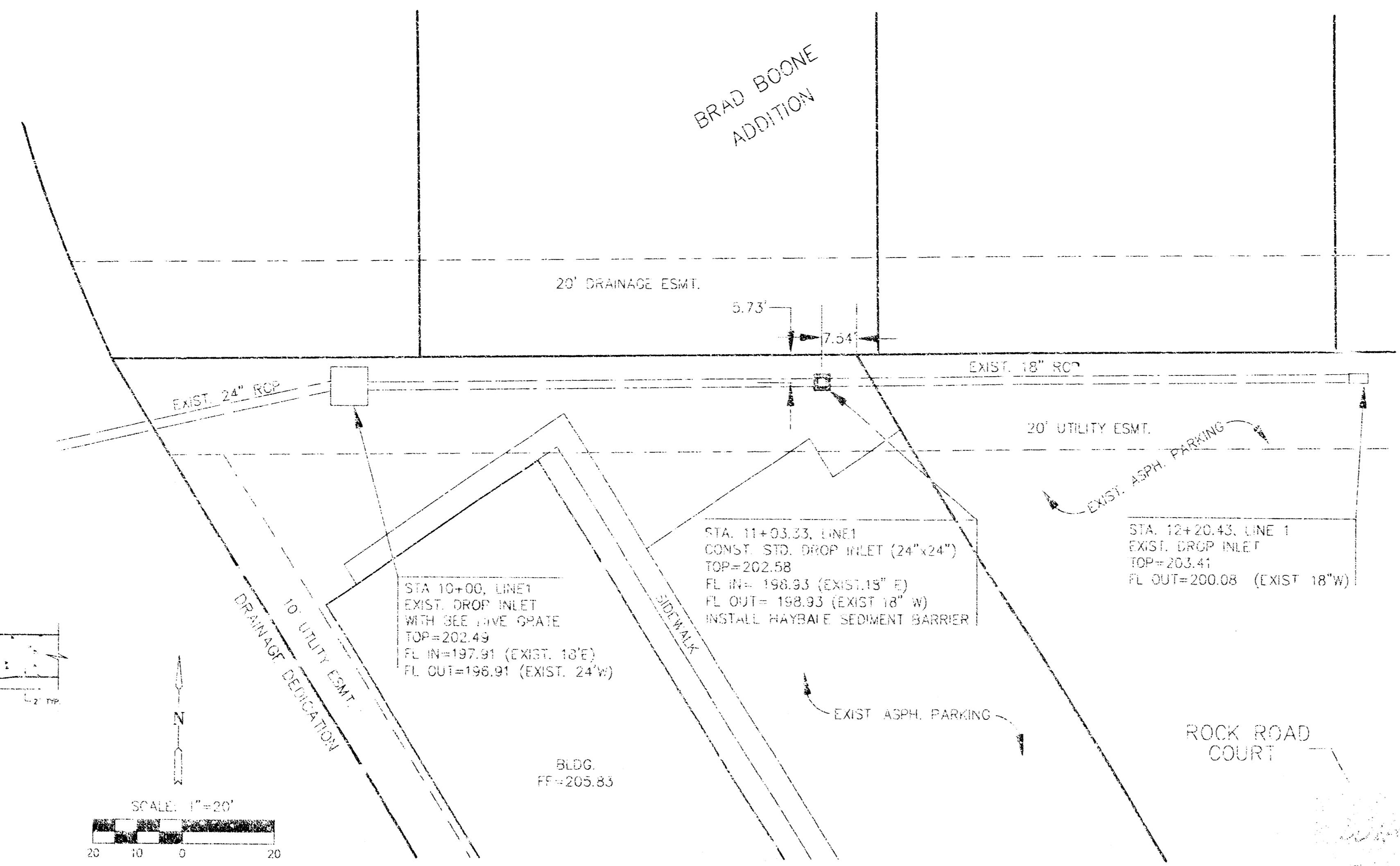
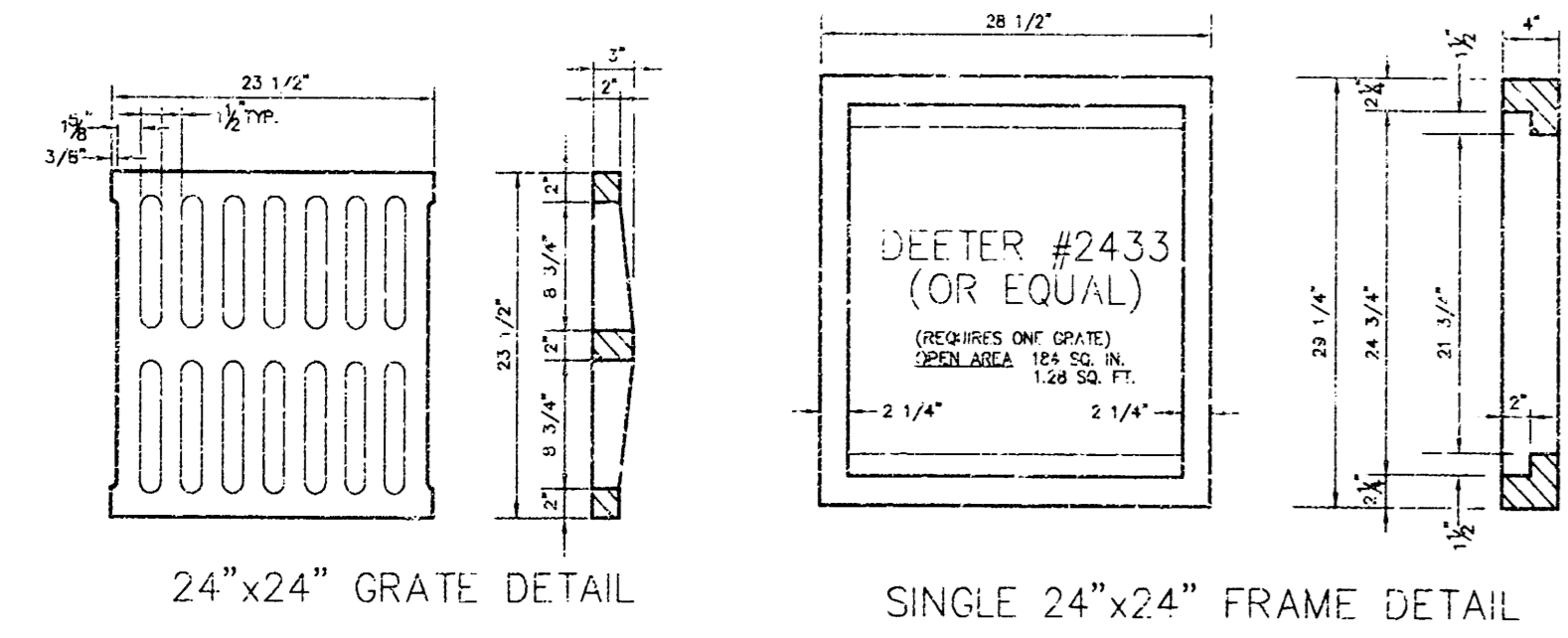
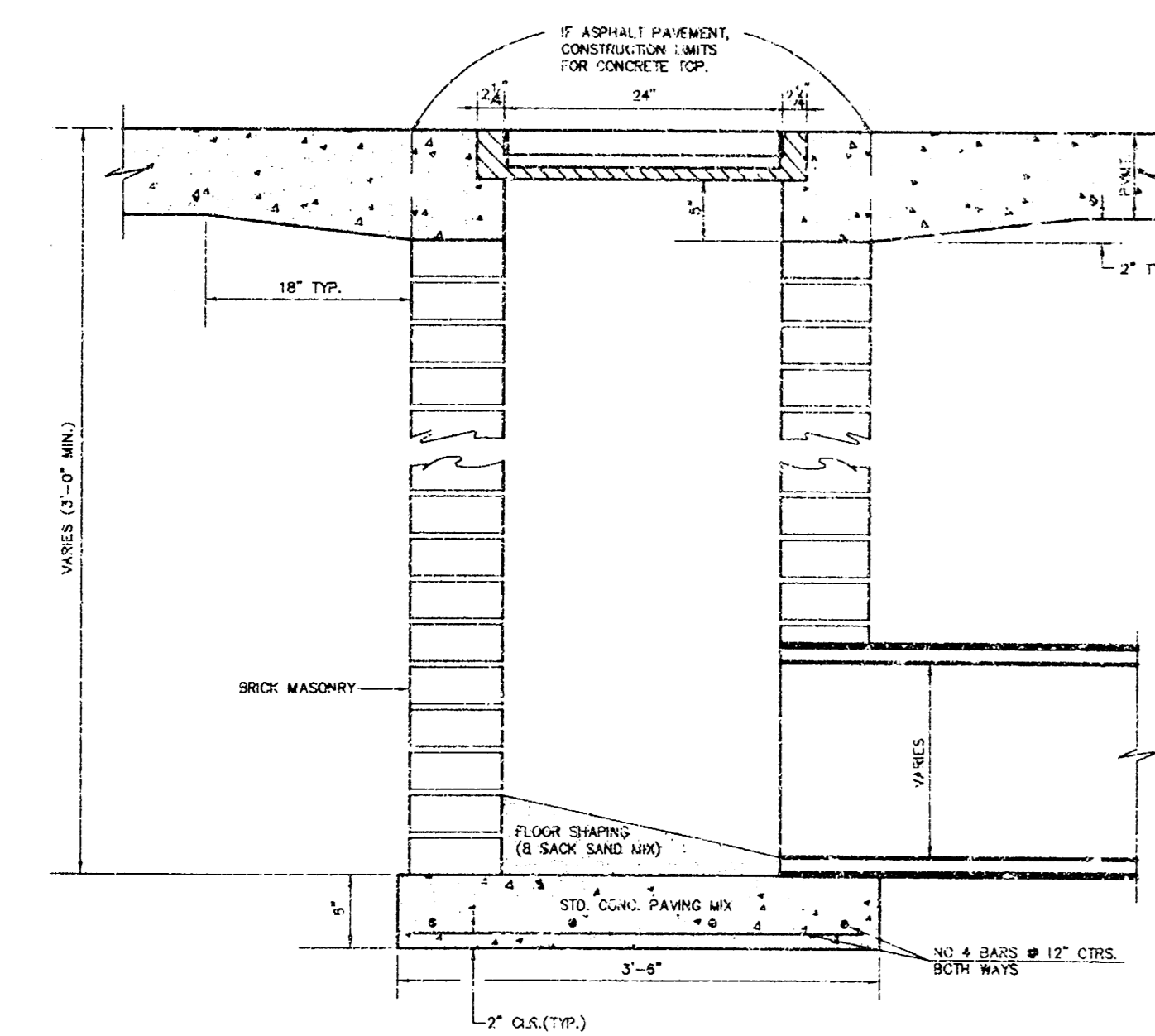
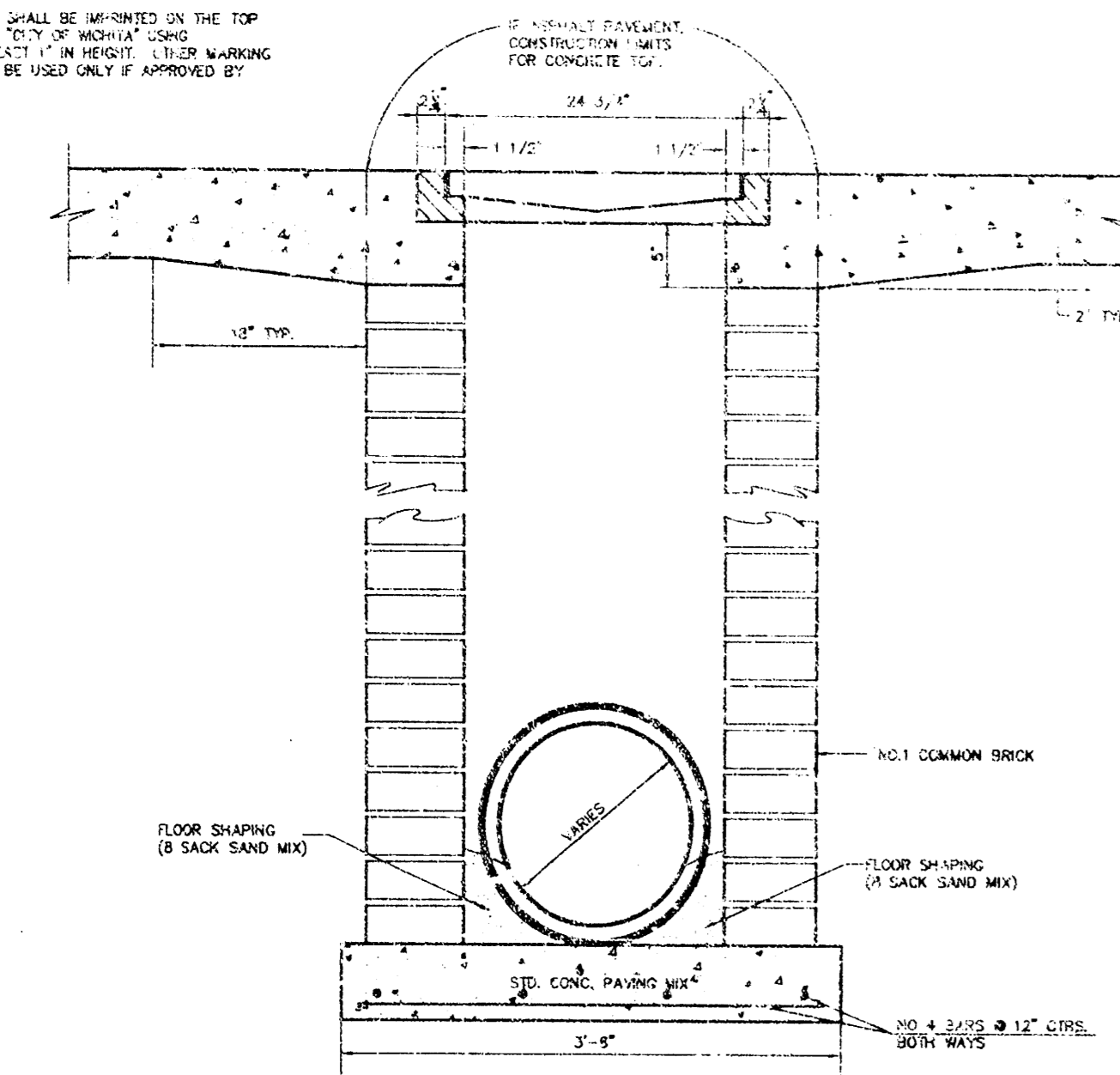
APPROVED AS NOTED
BY CITY ENGINEER OF WICHITA

STORMWATER SEWER *URH 11/7/99*

NOTE TO CONTRACTOR

INSPECTION AND TESTING FOR THIS PROJECT IS TO BE PROVIDED BY A LICENSED CONSULTING ENGINEERING FIRM UNDER CONTRACT WITH THE OWNER/DEVELOPER. SAID INSPECTION TO BE IN ACCORDANCE WITH THE CITY OF WICHITA STANDARD CONSTRUCTION ENGINEERING PRACTICES AND CERTIFIED BY A LICENSED PROFESSIONAL ENGINEER. NO WORK SHALL BE PERFORMED IN DEDICATED EASEMENTS OR THE PUBLIC RIGHT-OF-WAY BY THE CONTRACTOR WITHOUT SUCH INSPECTION NOR SHALL ANY WORK BE COMMENCED IN DEDICATED EASEMENTS OR PUBLIC RIGHT-OF-WAY WITHOUT WRITTEN AUTHORIZATION BY THE CITY ENGINEER.

ALL GRATES SHALL BE MARKED ON THE TOP SURFACE WITH CITY OF WICHITA MARKING METHODS MAY BE USED ONLY IF APPROVED BY THE ENGINEER.



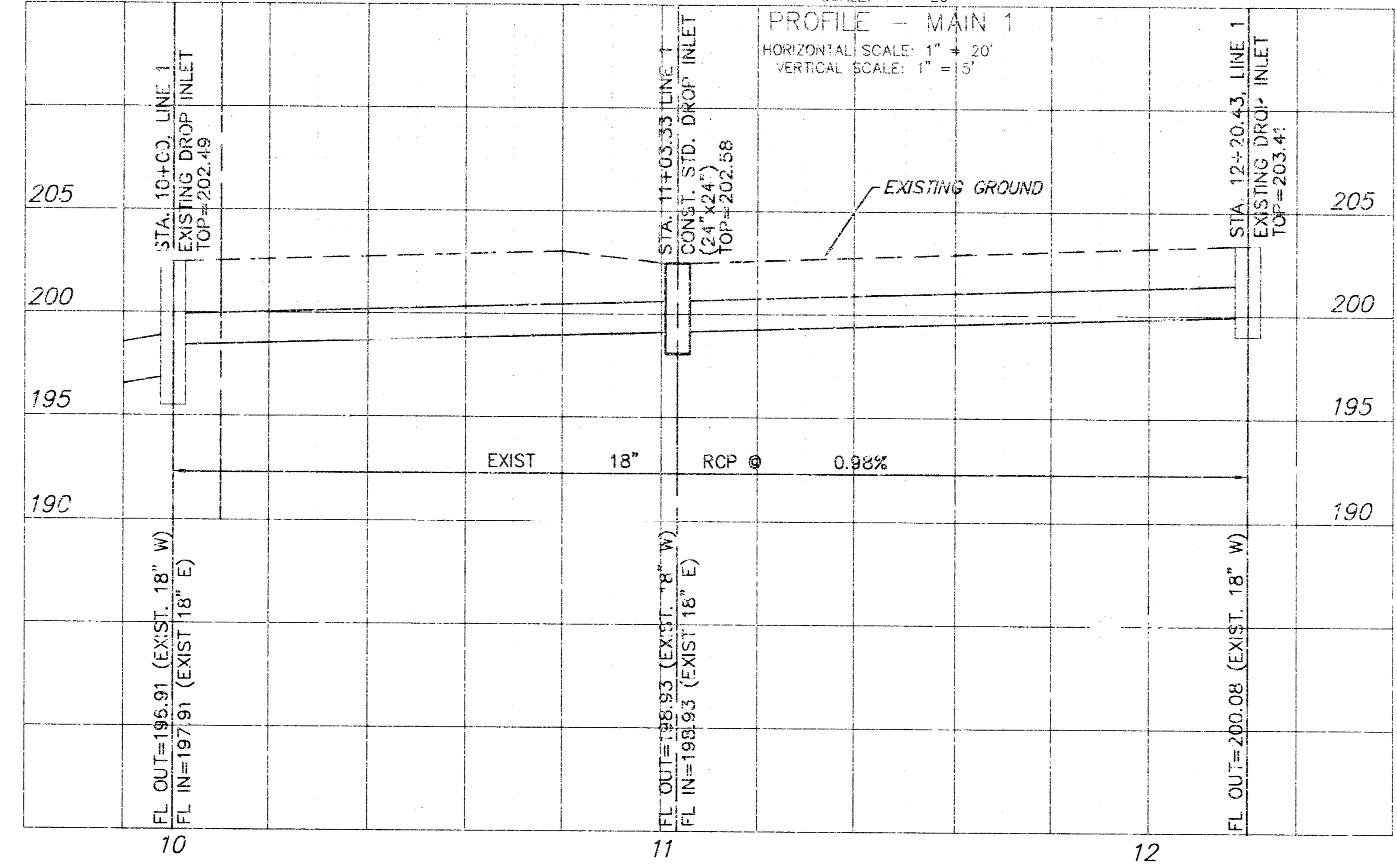
GENERAL NOTES

- THE CONTRACTOR SHALL BE RESPONSIBLE FOR PRESERVING PROPERTY IRONS. THE CONTRACTOR WILL BE REQUIRED TO RE-ESTABLISH ANY PROPERTY IRONS WHICH ARE DAMAGED OR DESTROYED BY HIS/HER CONSTRUCTION OPERATIONS. SUCH IRONS SHALL BE RE-ESTABLISHED BY A LICENSED LAND SURVEYOR IN ACCORDANCE WITH STATE LAWS.
- EXISTING UTILITIES AND THEIR LOCATIONS, AS SHOWN ON THE PLANS REPRESENT THE BEST INFORMATION OBTAINABLE FOR DESIGN. LOCATION INFORMATION HAS BEEN OBTAINED FROM THE VARIOUS UTILITY COMPANIES AND IS EITHER FROM COMPANY RECORD DRAWINGS OR COMPANY PROVIDED FIELD LOCATIONS. THE PLAN LOCATIONS SHOWN ARE NOT GUARANTEED. ADDITIONAL EXISTING UTILITIES MAY ALSO BE ENCOUNTERED.
- CONTRACTOR WILL BE REQUIRED TO PROVIDE A MINIMUM ADVANCE NOTICE OF FORTY-EIGHT (48) HOURS TO UTILITY COMPANIES PRIOR TO STARTING ANY EXCAVATION AS FOLLOWS:
 KANSAS ONE-CALL 1-800-344-7231 or 687-7470 (LOCAL WICHITA)
 SOUTHWESTERN BELL TELEPHONE COMPANY 1-571-2115
 CABLEVISION 282-4270 or 263-2661
 KANSAS GAS & ELECTRIC 264-1141
 CITY OF WICHITA SEWER MAINTENANCE 268-4777
 ARKLA GAS COMPANY 942-8350 OR 283-8161
 CITY OF WICHITA WATER DEPARTMENT 268-4916
- RUBBLE FROM THE REMOVAL OF MISCELLANEOUS STRUCTURES AND EXCESS EXCAVATION WHICH IS TO BE WASTED SHALL BE DISPOSED OF ON SITES TO BE PROVIDED BY THE CONTRACTOR. THESE SITES SHALL BE APPROVED BY THE ENGINEER AS TO SUITABILITY, APPEARANCE AND SITE LOCATION. LOCATIONS THAT, IN THE OPINION OF THE ENGINEER, WILL LEAVE AN UNSIGHTLY APPEARANCE WILL NOT BE APPROVED. ALL DISPOSAL SITES MUST BE APPROVED BY THE KANSAS DEPARTMENT OF HEALTH AND ENVIRONMENT. MATERIAL EITHER STOCKPILED OR DISPOSED OF IN A FLOOD PLAIN WOULD REQUIRE A KANSAS STATE BOARD OF AGRICULTURE PERMIT. ANY MATERIAL DUMPED IN WATERS OF THE UNITED STATES OR WETLANDS IS SUBJECT TO U.S. CORPS OF ENGINEERS PERMITTING REGULATIONS. ANY MATERIAL BURIED OR STOCKPILED BEYOND APPROVED CONSTRUCTION LIMITS WOULD REQUIRE ADDITIONAL ARCHAEOLOGICAL INVESTIGATIONS UNLESS BURIED IN A PREVIOUSLY APPROVED BORROW LOCATION.
- ALL DISTURBED AREAS TO BE SEED WITH A RYE GRASS AT A RATE OF 200 LBS/ACRE WITHIN 10 DAYS OF CONSTRUCTION. COST SHALL BE CONSIDERED SUBSIDIARY TO PROJECT.

*WICHITA 1999 PROJECT
CONVERTS TO 15
DUT BACK TO
11/03/99*

PLAN - MAIN 1

SCALE: 1" = 20'
HORIZONTAL SCALE: 1" = 20'
VERTICAL SCALE: 1" = 15'



[Signature]
11-7-99

LOT 10, BRAD BOONE ADDITION
PROJECT NAME
PRIVATE STORMWATER SEWER
954PPS (607861)
SHEET TITLE

MID-KANSAS ENGINEERING CONSULTANTS, INC.
411 N. WEBB ROAD
WICHITA, KS 67206
316-684-9600

DESIGN BY: *RKH* CHECKED BY: *JTC*
DRAWN BY: DATE: **NOVEMBER 1999** JOB NO: **0007** SHEET OF