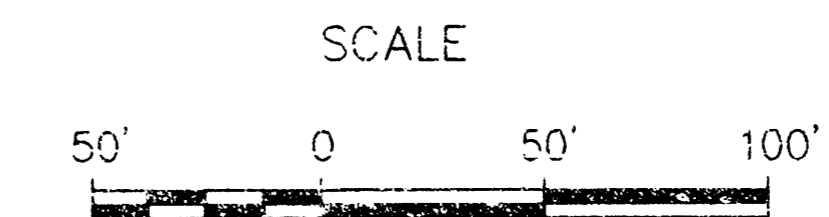


STORM SEWER IMPROVEMENTS TO SERVE NEW SONG ACADEMY

Project Number
1054 PPS (607861)

CITY OF WICHITA, KANSAS
Michael E. Lindebak, P. E., City Engineer



BENCHMARK:

Top of Curb @ South End of
Cul de Sac Along Centerline
Elev. = 103.89 City Datum

GENERAL NOTES

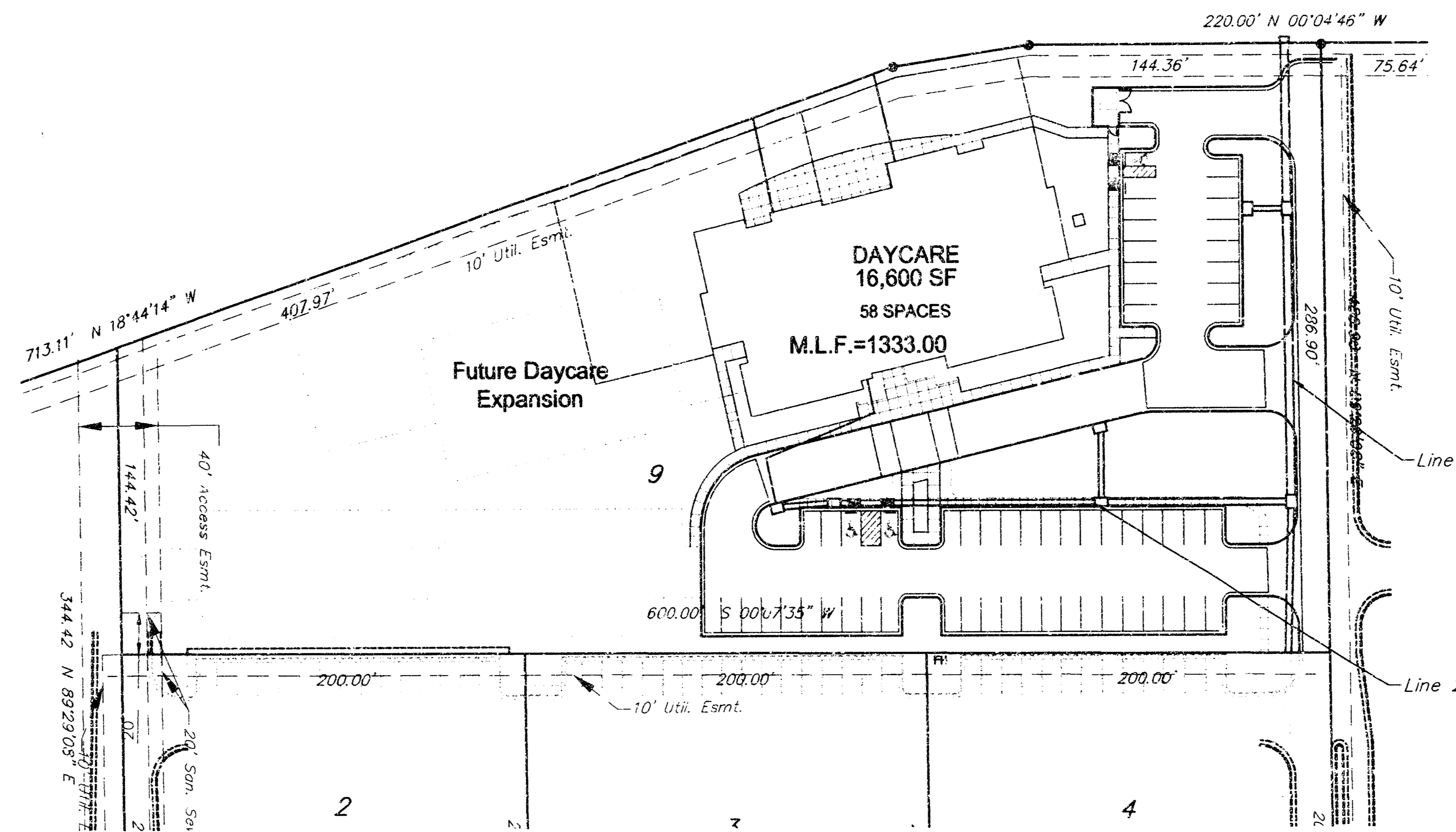
- Contractor will be required to provide notice to utility companies a minimum of twenty-four (24) hours prior to any excavation, as follows:

Kansas One-Call	687-2470
-----------------	----------

The Contractor must notify the following in case of an emergency:

Cablevision	262-4270
or	263-2061
K.P.L. Gas Service Company	383-8650
Kansas Gas & Electric Company	383-8600
Peoples Natural Gas	942-8811
or	1800-303-0357
Southwestern Bell Telephone Company	1-571-2611
City of Wichita Water Department	268-4908
City of Wichita Sewer Department	268-4071
Kansas Gas Service	832-3188
or	632-3167
- Exist. utilities and their locations, as shown on the plans, represent the best information obtainable for design. Location information has been obtained from the various utility companies and is either from company record drawings or company-provided field locations. The Contractor will be required to work around existing utilities which do not conflict with proposed construction.
- The Contractor to verify utility locations prior to construction of this project.
- Utility service and installation shall be coordinated with the respective utility owners. Contacts are:

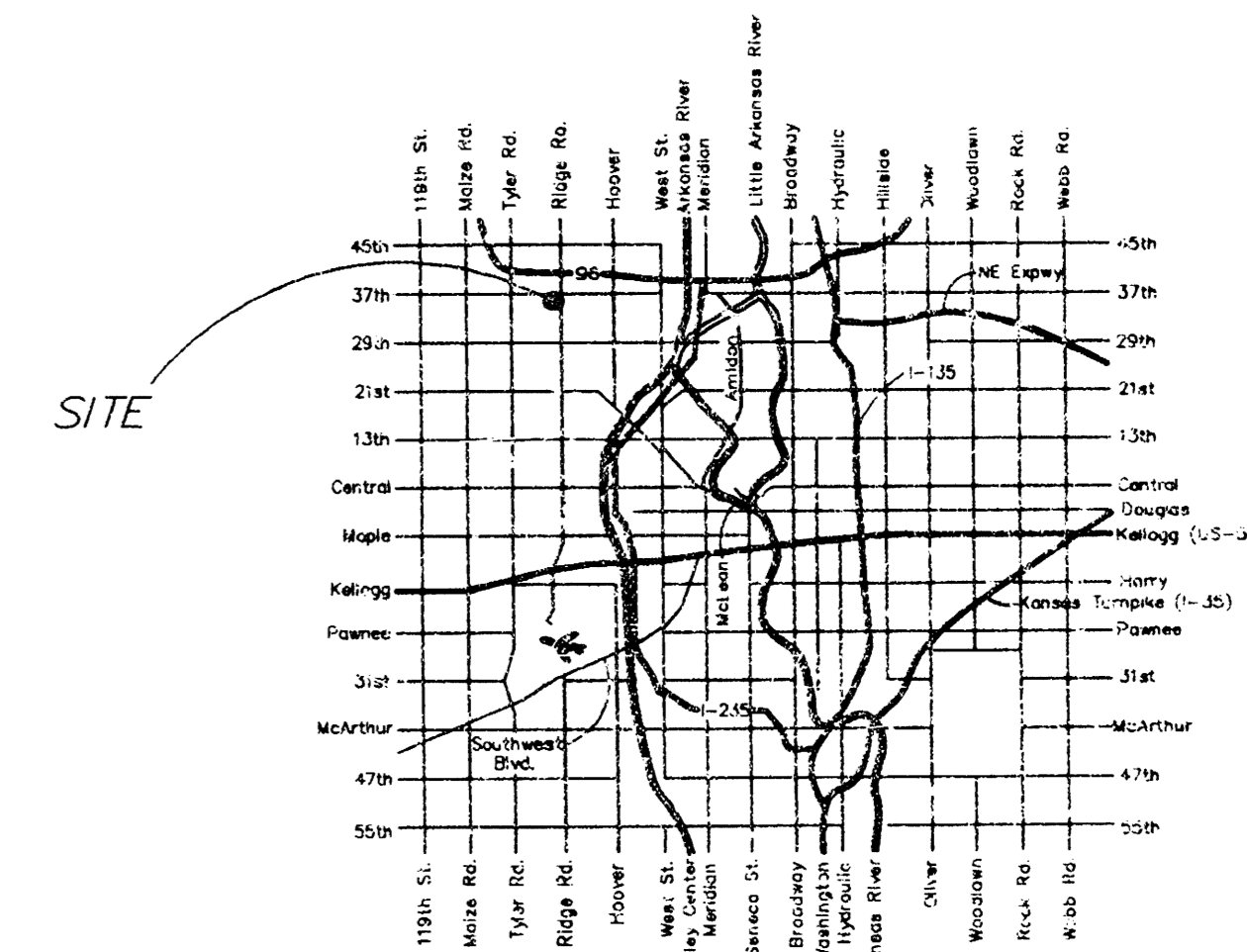
Kansas Gas Service	Jim Stoltz	832-3122
K.G.E.	Russ Chitwood	261-6251
Wichita Water	Chuck Steven	268-4555
	Joe Gatinely	268-4908
Southwestern Bell	Jim Tobin	268-2759
- All areas disturbed by construction shall be seeded with rye Rebel II Fescure grass at a rate of 350 lbs./acre immediately following construction in that area.
- Traffic affected by the construction of this project shall be handled in accordance with the latest edition of the Manual on Uniform Traffic Control Devices.
- All lawn/turf areas disturbed by construction of proposed improvements shall be restored with the same grass/sod as existing. Restoration of disturbed areas shall include, but not be limited to, top soil preparation, seeding, mulch and/or reseeding. All seeding/sodding work shall be in accordance with the City of Wichita standard specifications and the City of Wichita administrative regulation No. AR78 which governs cleanup and replacement following construction. All costs for this work shall be subsidiary to the lump sum price bid for "Site Restoration."



INDEX

- 1 Cover
- 2 Inlet Details
- 3-4 Plan and Profile

BOOKED
3-12-01
MCG
D-511

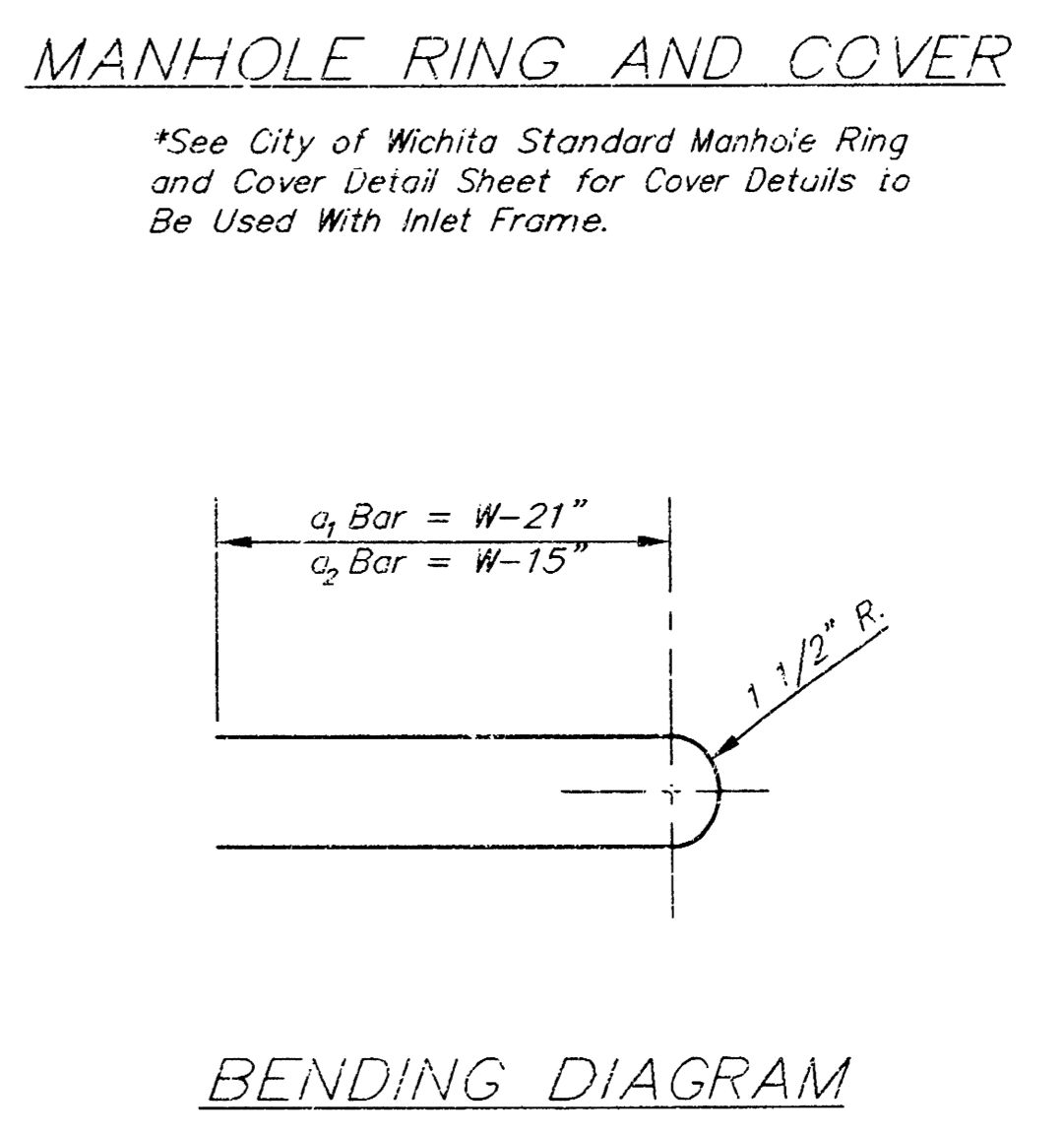
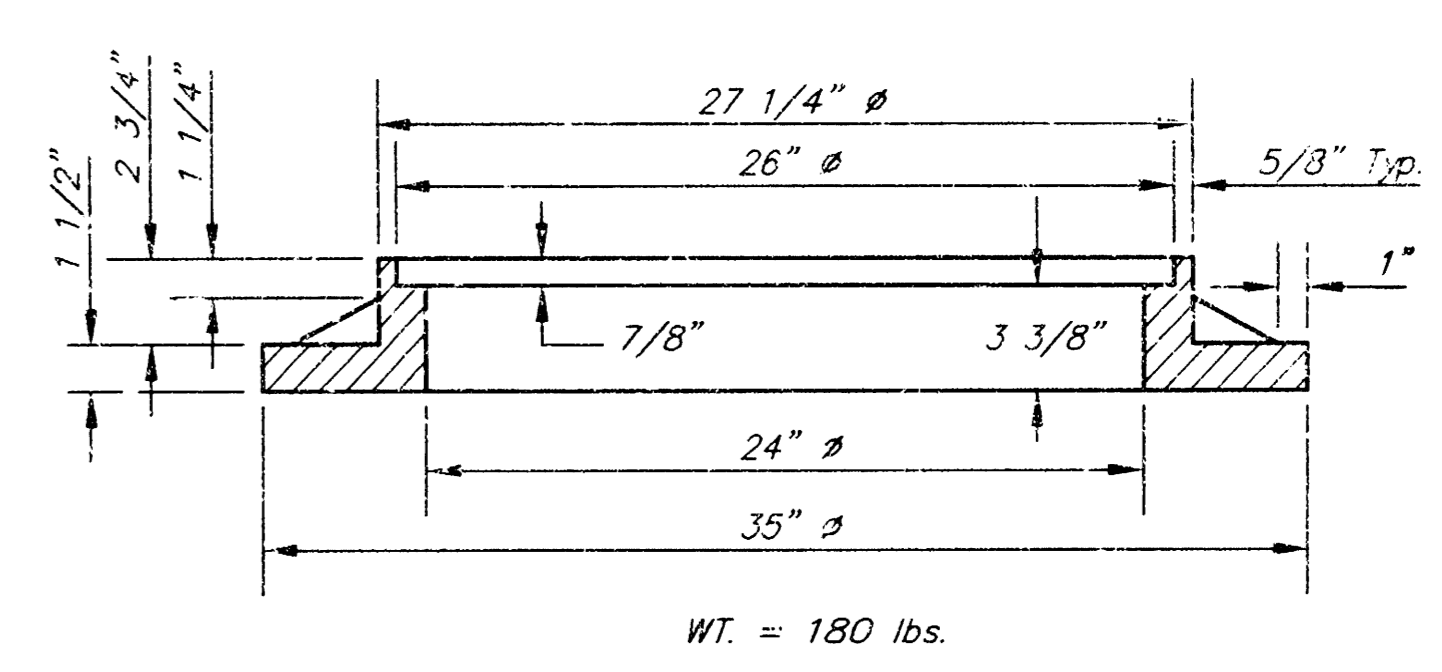
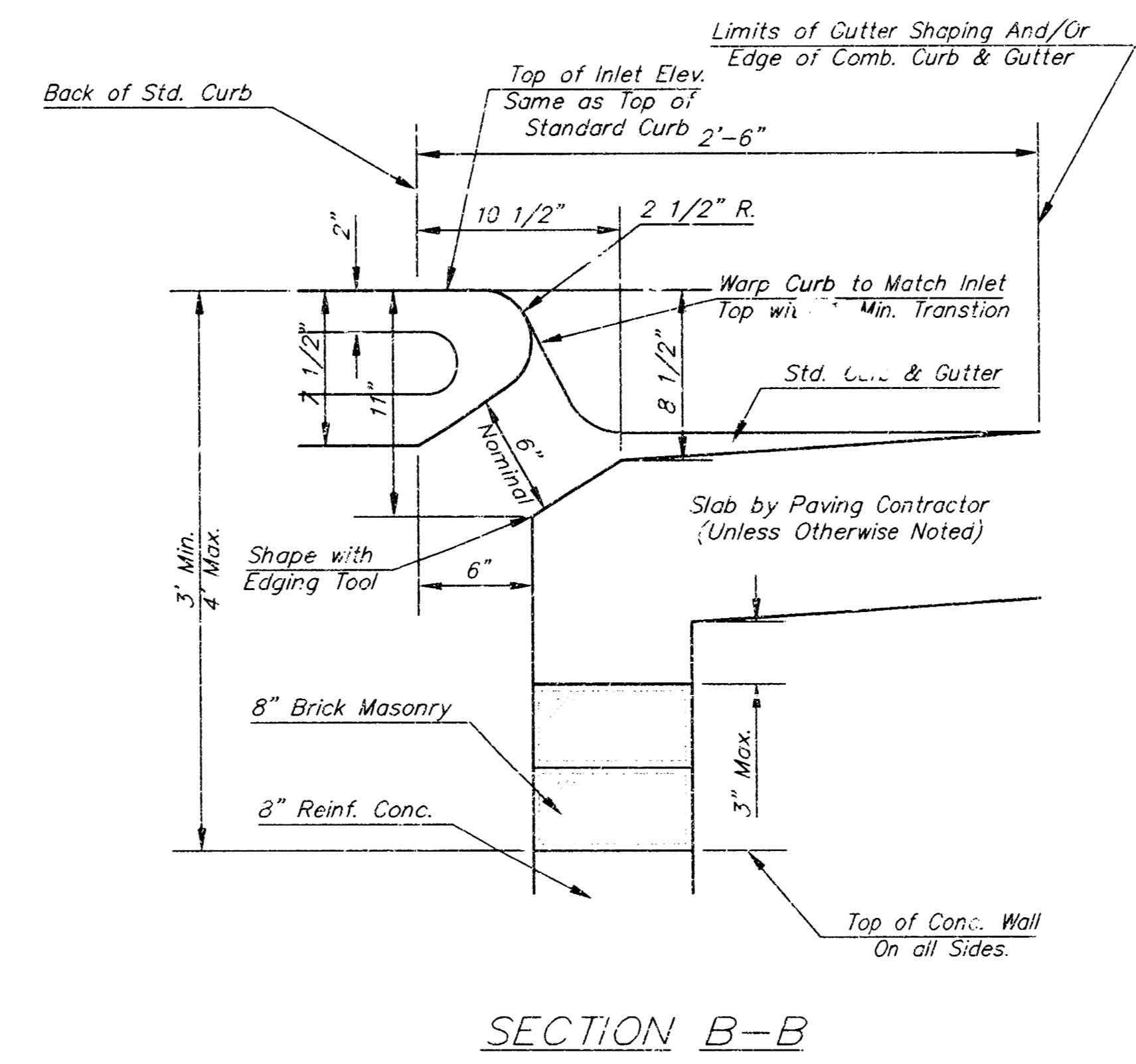
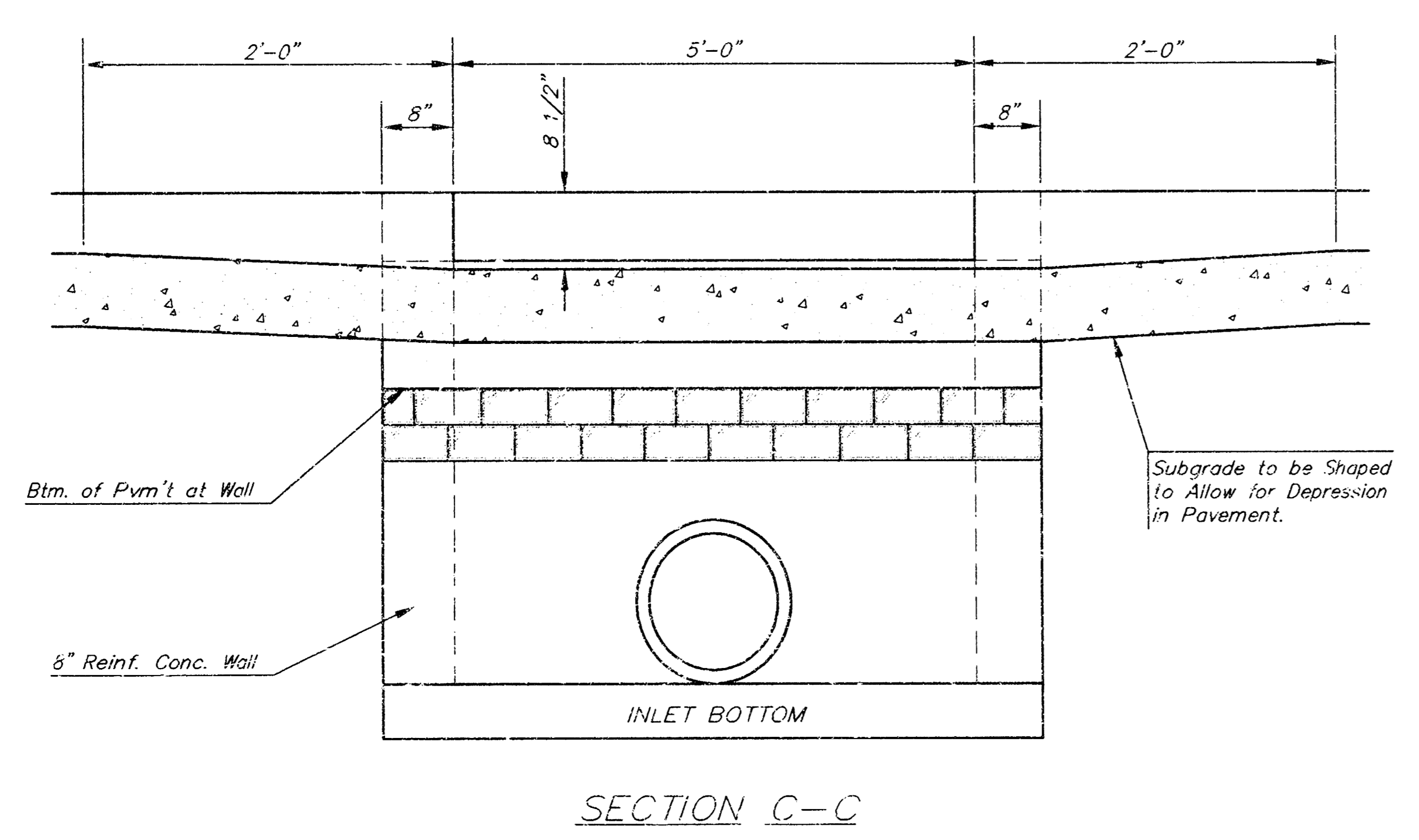
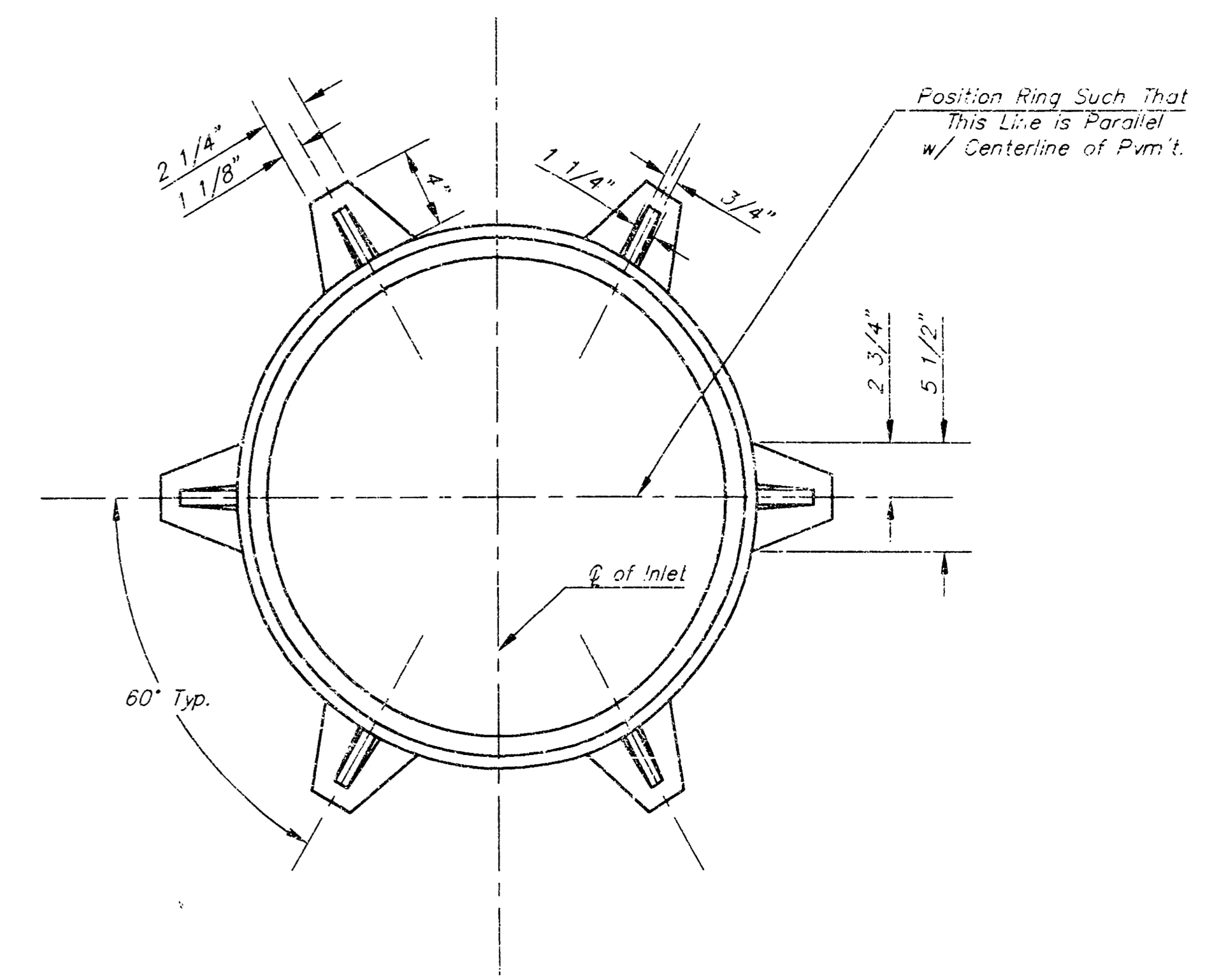
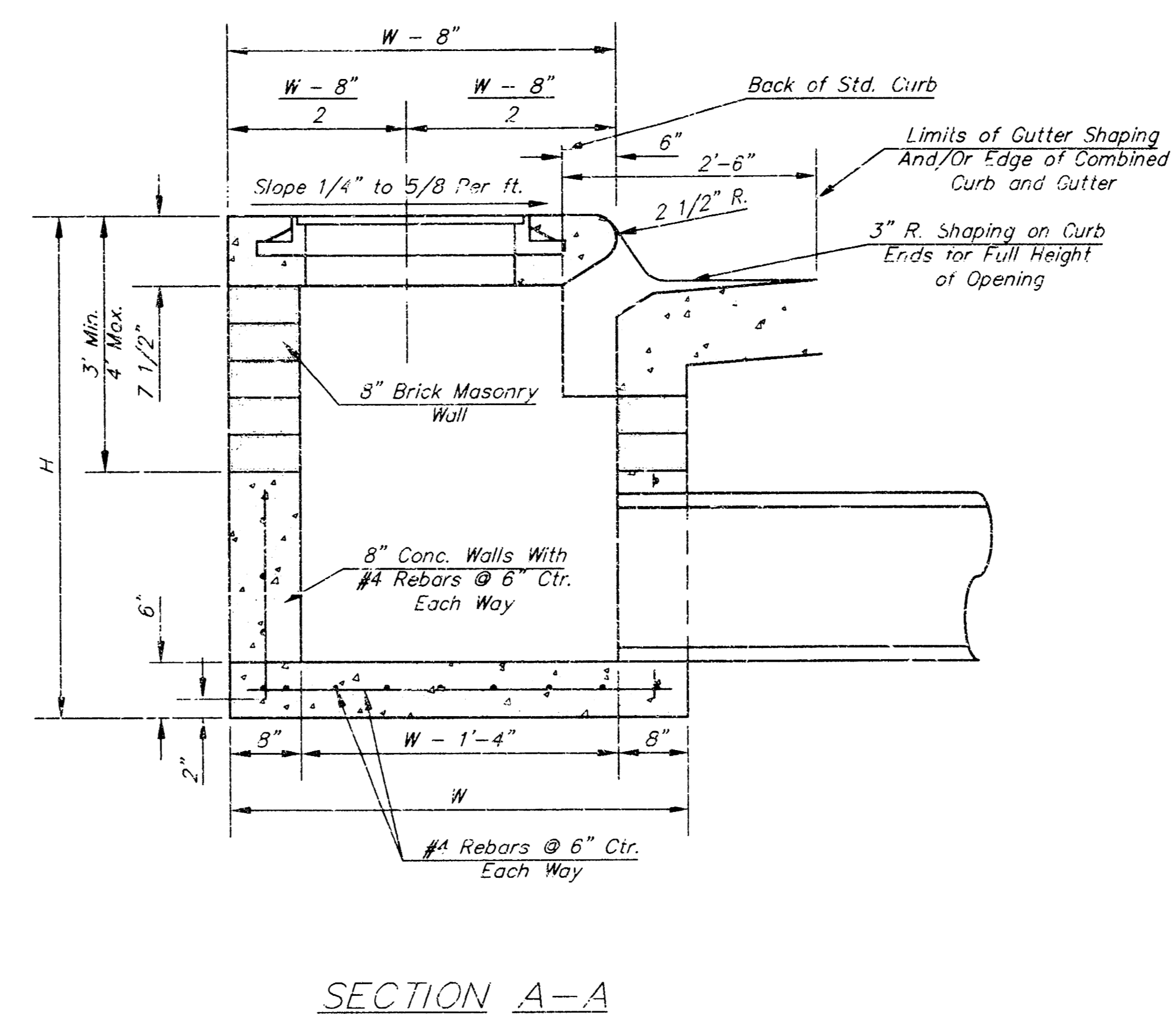
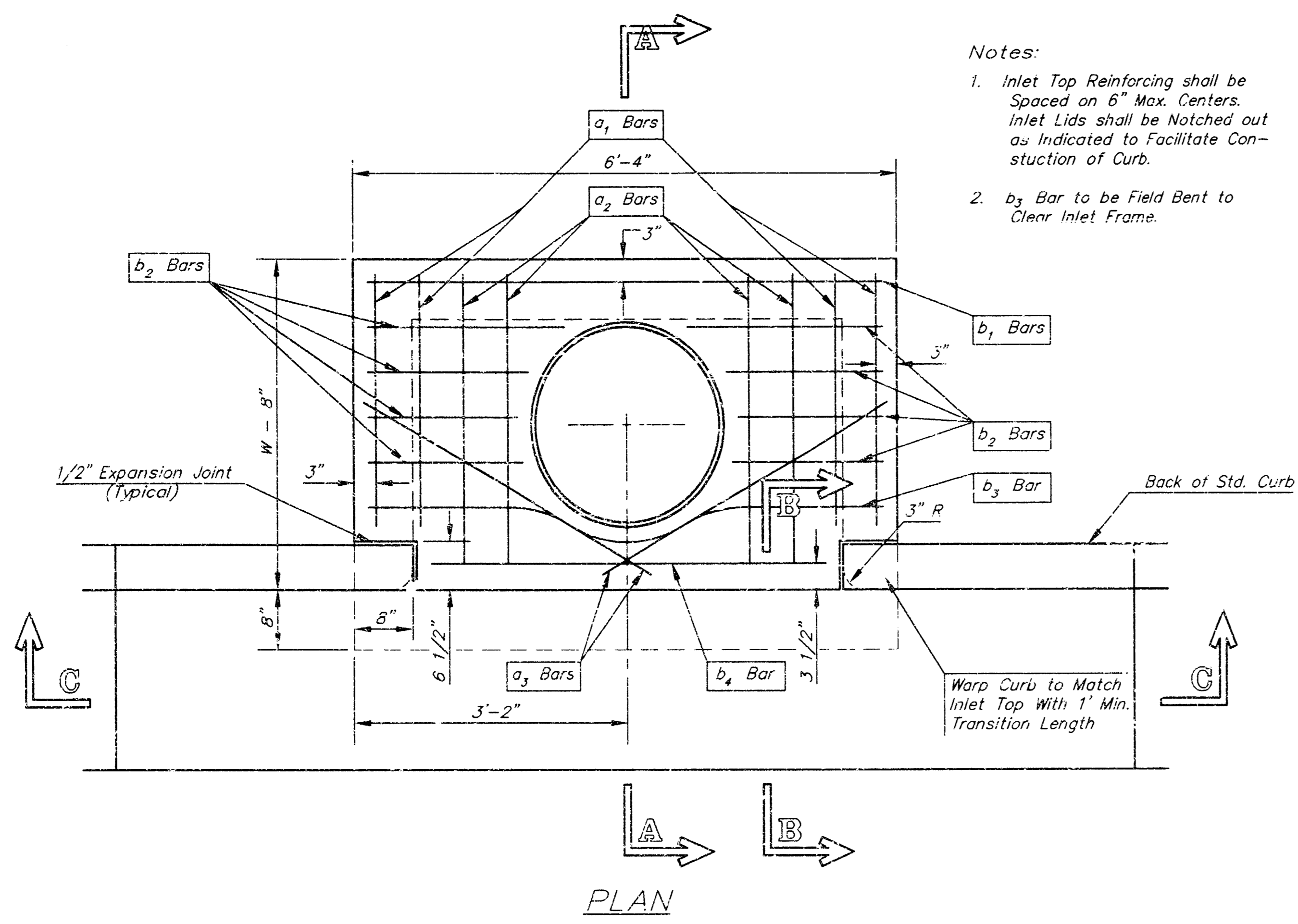


LOCATION MAP

APPROVED AS NOTED BY CITY ENGINEER OF WICHITA
 STORM SEWERS VRH 11/17/00
 AS-BUILT
 Date: 11/17/00
 Signed: [Signature] 1/4/01
 Inspection and testing for this project are to be provided by a Licensed Consulting Engineering Firm under contract with the Owner/Developer. Said inspection is to be in accordance with the City of Wichita standard construction engineering practices and certified by a Licensed Professional Engineer. No work shall be performed in dedicated easements or public right-of-way, the Contractor without such inspection nor shall work be completed without written authorization by the City Engineer. All construction and materials shall comply with the City of Wichita Specifications and Standards (on file and available in the City Engineer's Office).

FILE: 02284/116

MILLER P.A.
ENGINEERING SERVICES
 254 S. Laura, Suite 210 Wichita, KS 67211
 316/262-1281 fax: 316/262-6773



STEEL SCHEDULE

BAR NUMBER	a ₁	a ₂	a ₃	b ₁				b ₂	b ₃	b ₄	Wt. Lbs.	
				W=4'-4"	W=5'-4"	W=6'-4"	W=7'-4"					W=8'-4"
	#4	#4	#4	#4	#4	#4	#4	#4	#4	#6		
LENGTH	W=4'-4"	5'-7"	6'-7"	4'-0"	6'-1"	-	-	-	1'-9"	6'-2"	4'-8"	60±
	W=5'-4"	7'-7"	8'-7"	5'-0"	6'-1"	-	-	-	1'-9"	6'-2"	4'-8"	81±
	W=6'-4"	9'-7"	10'-7"	6'-0"	6'-1"	-	-	-	1'-9"	6'-2"	4'-8"	101±
	W=7'-4"	11'-7"	12'-7"	7'-0"	6'-1"	-	-	-	1'-9"	6'-2"	4'-8"	121±
	W=8'-4"	13'-7"	14'-7"	8'-0"	6'-1"	-	-	-	1'-9"	6'-2"	4'-8"	141±

Note: a₃ Bars to be Placed Approx. 2" Below Top of Inlet Cover.

STANDARD CURB INLET PRECAST TOPS

W	PRE-CAST TOP SIZE	PIPE SIZE	CU. YD. CONC.
4'-4"	3'-8" 6'-4" 7 1/2"	21" & SMALLER	0.38±
5'-4"	4'-8" 6'-4" 7 1/2"	24" & 30"	0.51±
6'-4"	5'-8" 6'-4" 7 1/2"	36" & 42"	0.64±
7'-4"	6'-8" 6'-4" 7 1/2"	48" & 54"	0.77±
8'-4"	7'-8" 6'-4" 7 1/2"	60" & 66"	0.90±

- GENERAL NOTES**
- Concrete tops to be installed on thin mortar cushion to insure full support along brick walls. Concrete tops may be cast in place or precast. Concrete used for inlet construction shall be concrete pavement mix.
 - Contractor shall have the option of constructing 8" brick masonry walls between the concrete inlet base and top on this inlet when W=6'-4" and H=7'-0" or less.
 - Inlet invert shall be shaped with 8 sack sand mix concrete to create flow channels and to increase hydraulic efficiency such that the inlet will be self cleaning between all inlet and/or outlet pipes.
 - The ends of all pipes installed in inlets shall be cut off flush with the inside face of the inlet wall.

THE CITY OF WICHITA

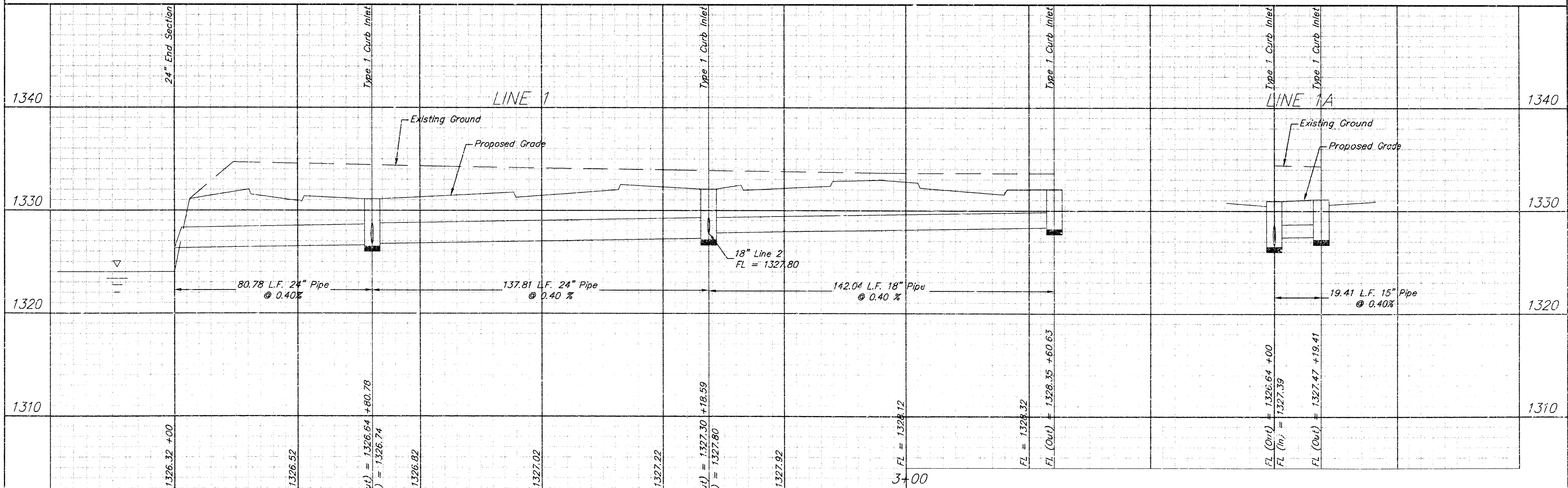
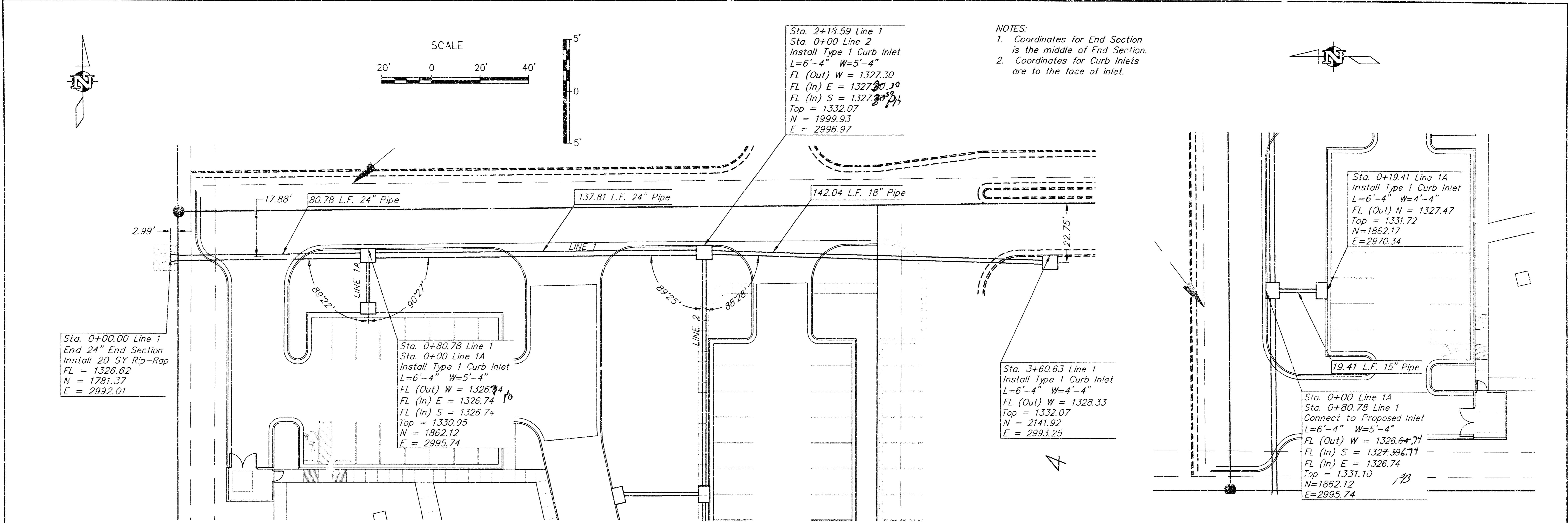
CITY ENGINEER'S OFFICE
CITY HALL - SEVENTH FLOOR
455 NORTH MAIN STREET
WICHITA, KANSAS 67202
(316) 268-4001
(316) 268-4114 FAX

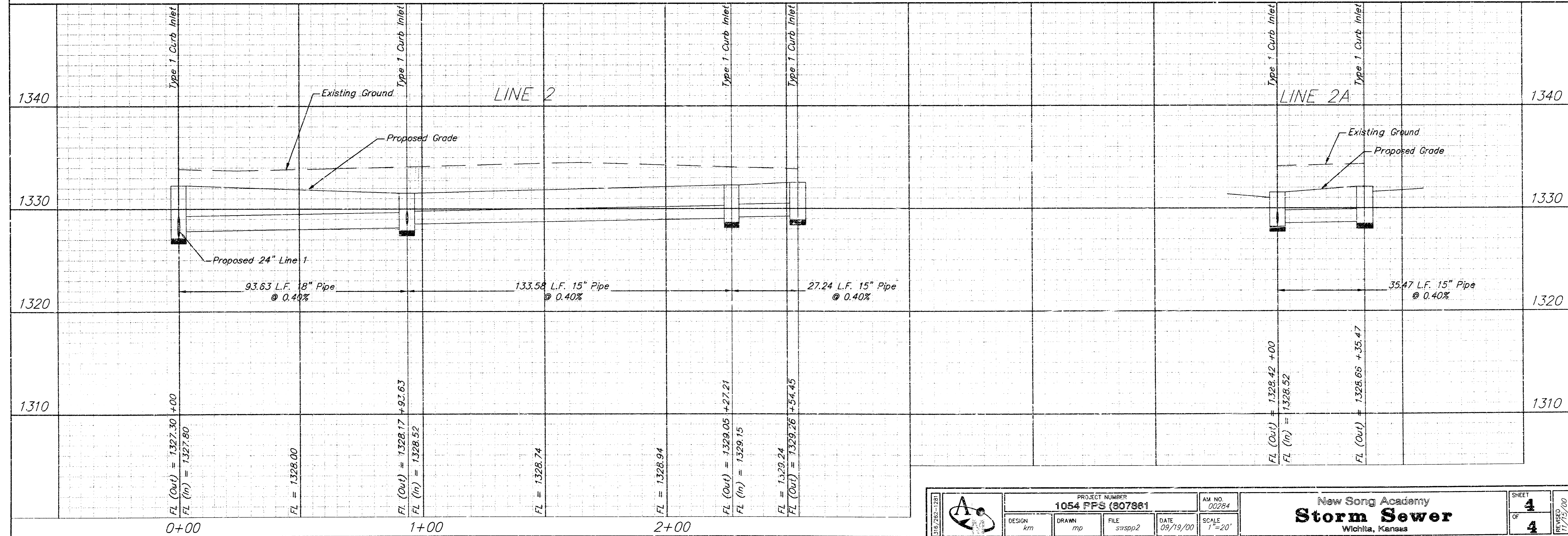
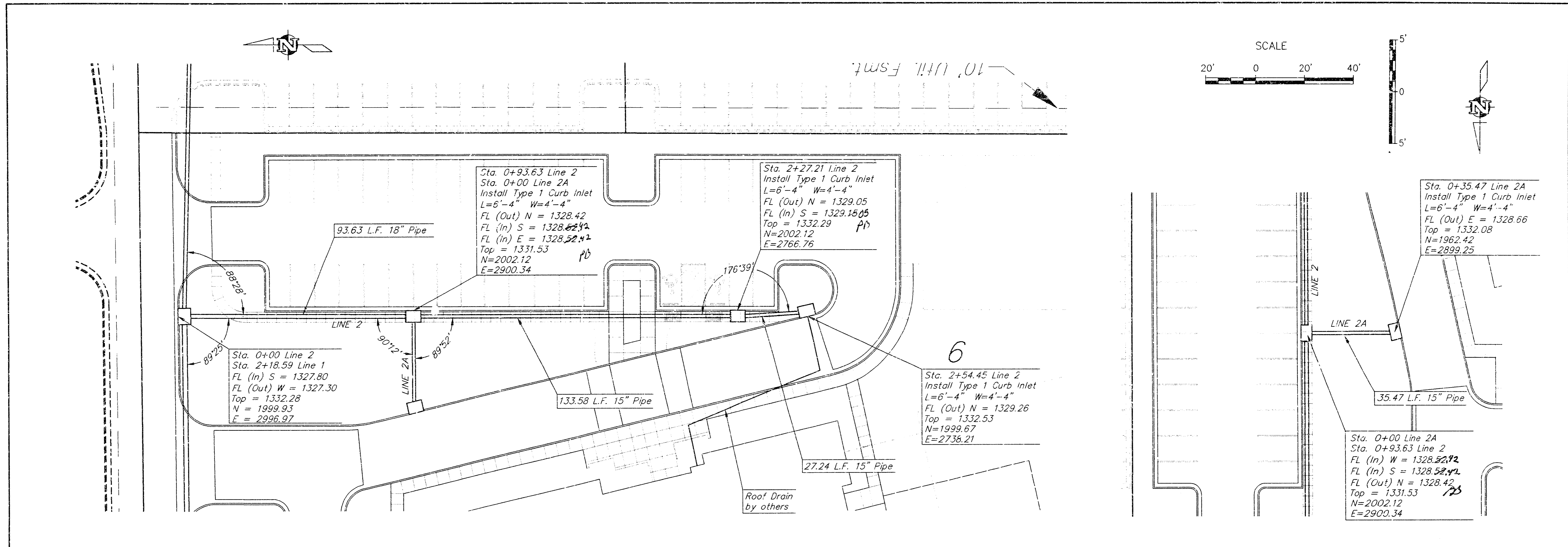
**STANDARD TYPE 1
CURB INLET**

OPENING = 6" x 5'-0"

M. E. LINDEBAK P.E. - CITY ENGINEER

PROJECT NUMBER 1054 PPS	INDEX CODE 607361
DATE MAR 96	SHEET 2 OF 4





	PROJECT NUMBER 1054 PFS (807861)		AM NO. 00284
	DESIGN km	DRAWN mp	FILE srspp2
DATE 09/19/00		SCALE 1"=20'	SHEET 4 OF 4 REVISED 07/15/00

New Song Academy
Storm Sewer
Wichita, Kansas