

**DETENTION POND TO SERVE
LOT 1, BLOCK 1, WILBUR ADDITION**

Project Number
1181 PPS (607861)

CITY OF WICHITA, KANSAS
Michael E. Lindebak, P. E., City Engineer

GENERAL NOTES

- Contractor will be required to provide notice to utility companies a minimum of twenty-four (24) hours prior to any excavation, as follows:

Kansas One-Call	687-2470
-----------------	----------

The Contractor must notify the following in case of an emergency:

Cablevision	262-4270
or	263-2061
K.P.L. Gas Service Company	393-8650
Kansas Gas & Electric Company	393-8600
Peoples Natural Gas Gas	542-2811
or	1800-303-0357
Southwestern Bell Telephone Company	1-571-2611
City of Wichita Water Department	268-4908
City of Wichita Sewer Department	268-4071
Kansas Gas Service	832-3168
or	832-3167
- Exist. utilities and their locations, as shown on the plans, represent the best information obtainable for design. Location information has been obtained from the various utility companies and is either from company record drawings or company-provided field locations. The Contractor will be required to work around existing utilities which do not conflict with proposed construction.
- The Contractor to verify utility locations prior to construction of this project.
- Utility service and installation shall be coordinated with the respective utility owners. Contacts are:

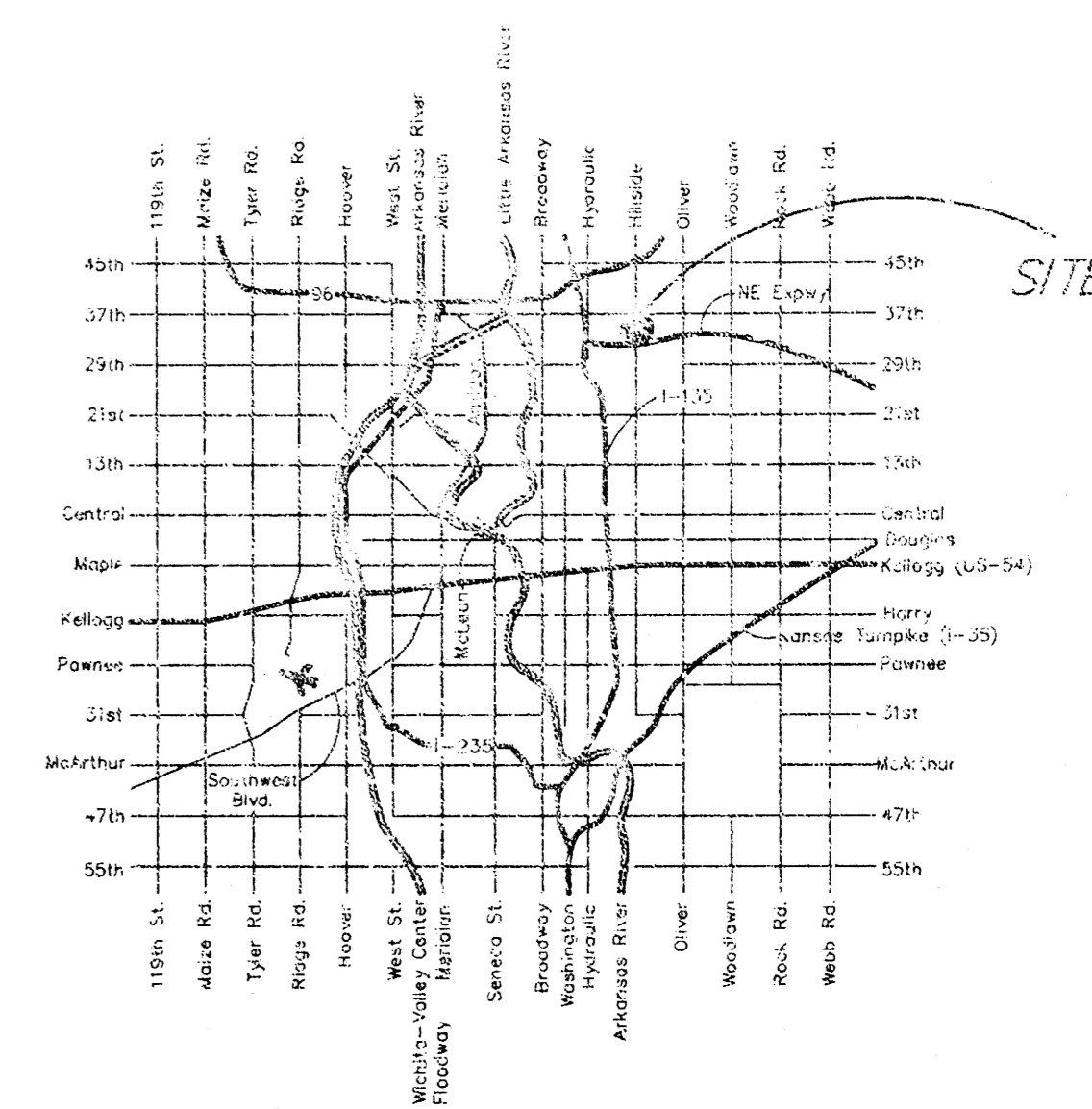
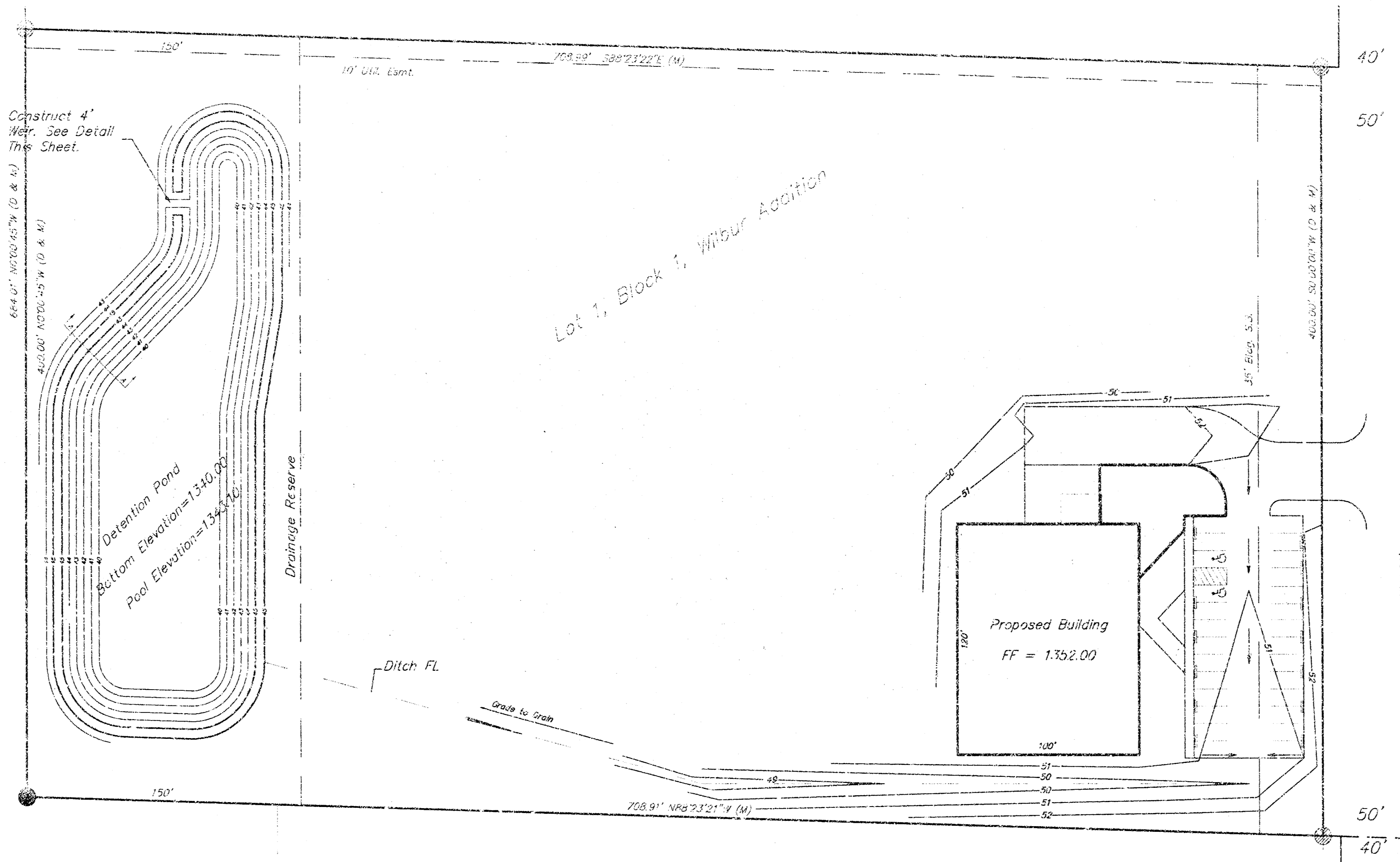
Kansas Gas Service	Jim Stultz	832-3122
K.G.E.	Russ Chitwood	261-6251
Wichita Water	Chuck Steven	268-4555
	Joe Botinely	268-4908
Southwestern Bell	Jim Tobin	268-2759
- All areas disturbed by construction shall be seeded with rye grass at a rate of 350 lbs./acre immediately following construction in that area.
- Traffic affected by the construction of this project shall be handled in accordance with the latest edition of the Manual on Uniform Traffic Control Devices.
- All lawn/turf areas disturbed by construction of proposed improvements shall be restored with the same grass/sod as existing. Restoration of disturbed areas shall include, but not be limited to, top soil preparation, seeding, mulch and/or reseeding. All seeding/sodding work shall be in accordance with the City of Wichita standard specifications and the City of Wichita administrative regulation No. AR75 which governs cleanup and replacement following construction. All costs for this work shall be subsidiary to the lump sum price bid for "Site Restoration."

BENCHMARK:

City of Wichita Benchmark located on the Southeast corner of the intersection of 37th Street and Hillside. On the Northwest corner of the traffic signal base. Elevation: 1352.75' (M.S.L.)

INDEX:

- Title Sheet
- Detention Pond



LOCATION MAP



SCALE



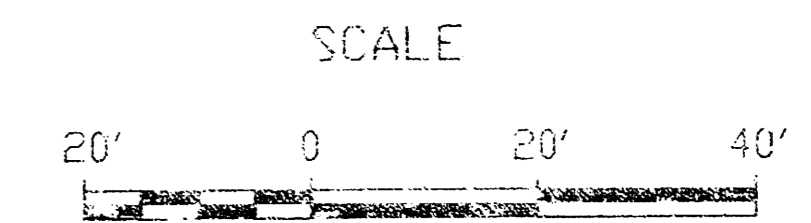
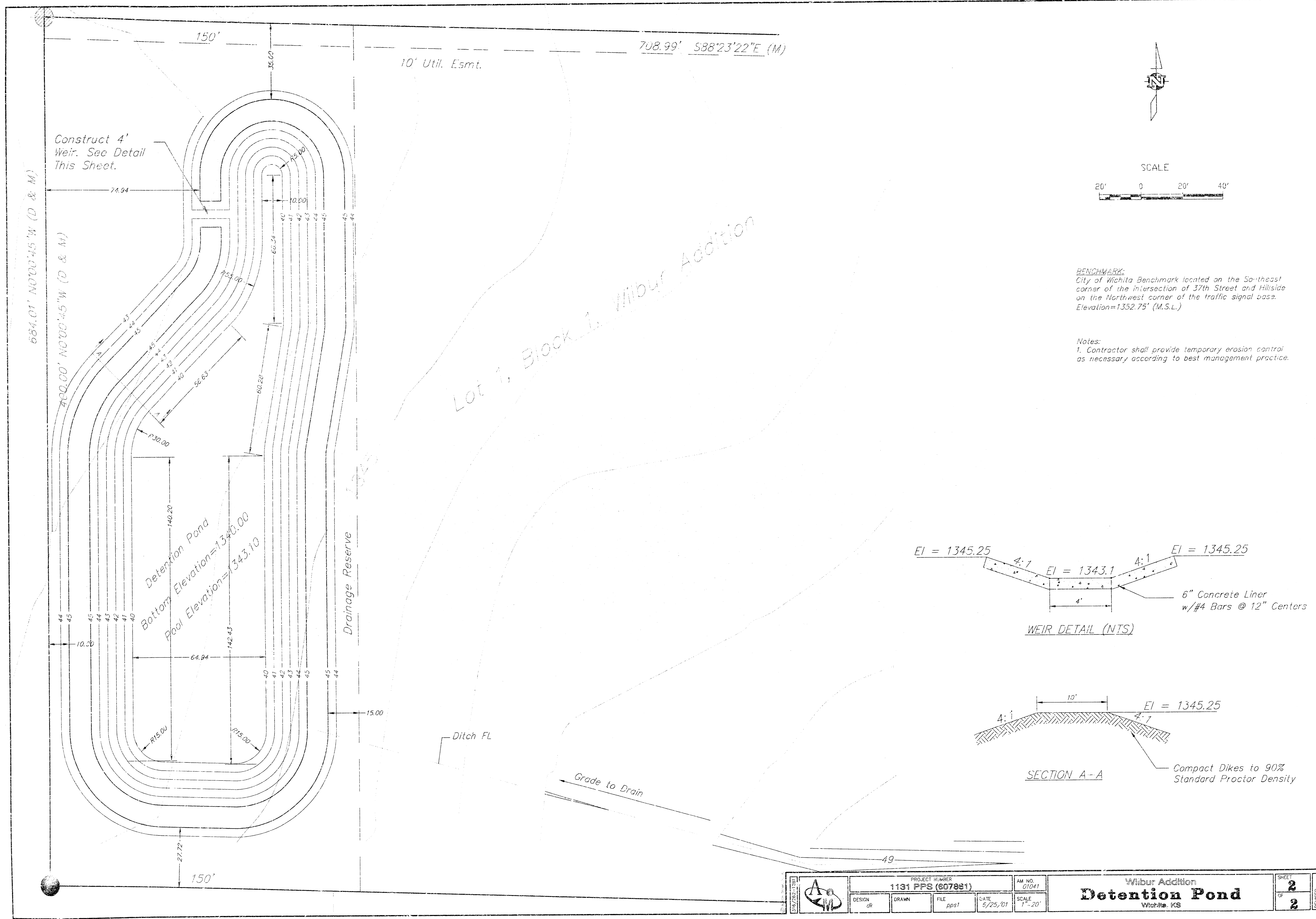
APPROVED AS NOTED BY CITY ENGINEER OF WICHITA
 STORM SEWERS VRH 6/29/01

Inspection and testing for this project are to be provided by a Licensed Consulting Engineering Firm under contract with the Owner/Developer. Said inspection is to be in accordance with the City of Wichita standard construction engineering practices and certified by a Licensed Professional Engineer. No work shall be performed in dedicated easements or public right-of-way by the Contractor without such inspection nor shall work be commenced without written authorization by the City Engineer. All construction and materials shall comply with the City of Wichita Specifications and Standards (on file and available in the City Engineer's Office).

AS-BUILT
 Date: 8/27/02
 Signed: *Michael A. Peep*

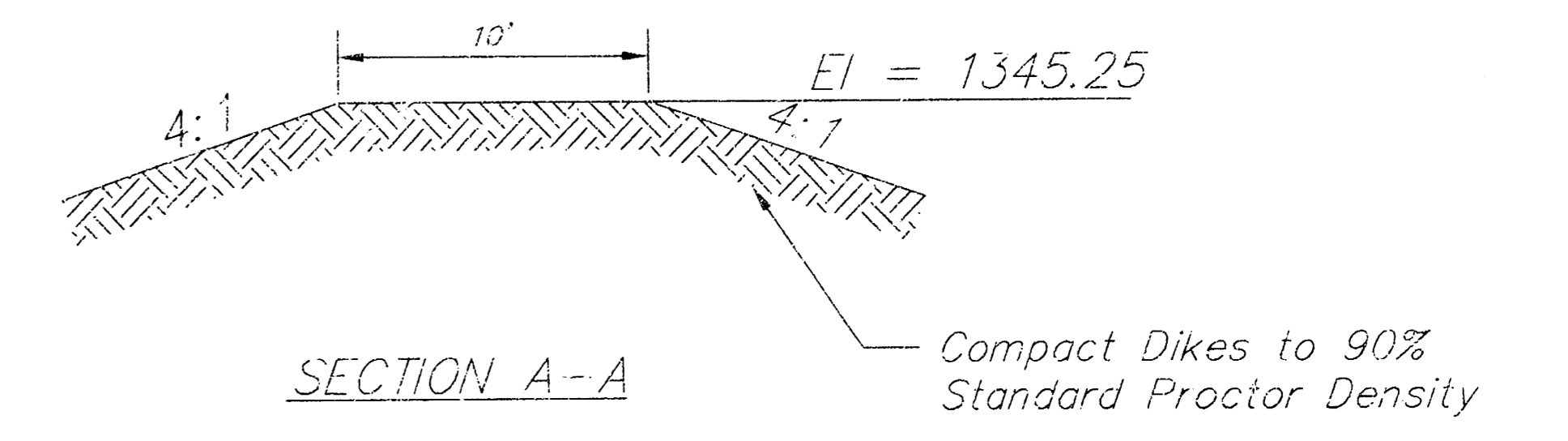
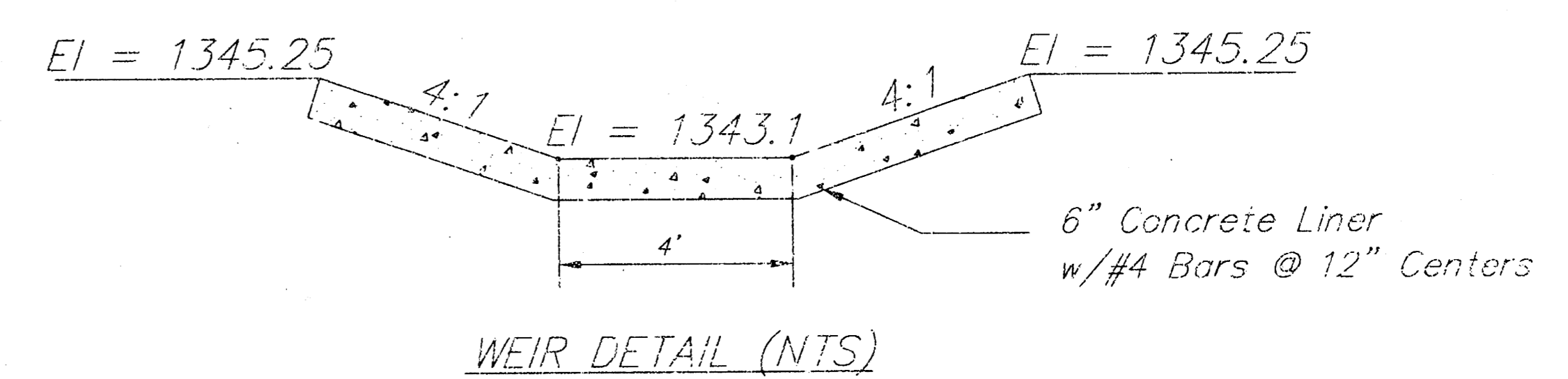
Joseph R. Blair
 6/28/01

MILLER P.A.
ENGINEERING SERVICES
 254 S. Lincoln, Suite 210, Wichita, KS 67211
 316/261-1281 fax 316/261-6775



BENCHMARK:
 City of Wichita Benchmark located on the Southeast corner of the intersection of 37th Street and Hillside on the Northwest corner of the traffic signal base. Elevation=1352.75' (M.S.L.)

Notes:
 1. Contractor shall provide temporary erosion control as necessary according to best management practice.



	PROJECT NUMBER 1131 PPS (607861)				AM. NO. 01041	SHEET 2	
	DESIGN dk	DRAWN	FILE ppst	DATE 8/25/01	SCALE 1"=20'	OF 2	
Detention Pond Wibur Addition Wichita, KS						REVISIONS	