

STORM SEWER IMPROVEMENTS TO SERVE BLOCKBUSTER - WEST & UNIVERSITY

352 S. West Street
LOTS 13-50, BLOCK 4
QUINCY ADDITION

WICHITA, KANSAS

Michael E. Lindebak, P.E., City Engineer
PROJECT NO.: 1158 PPS (607861)

General Notes

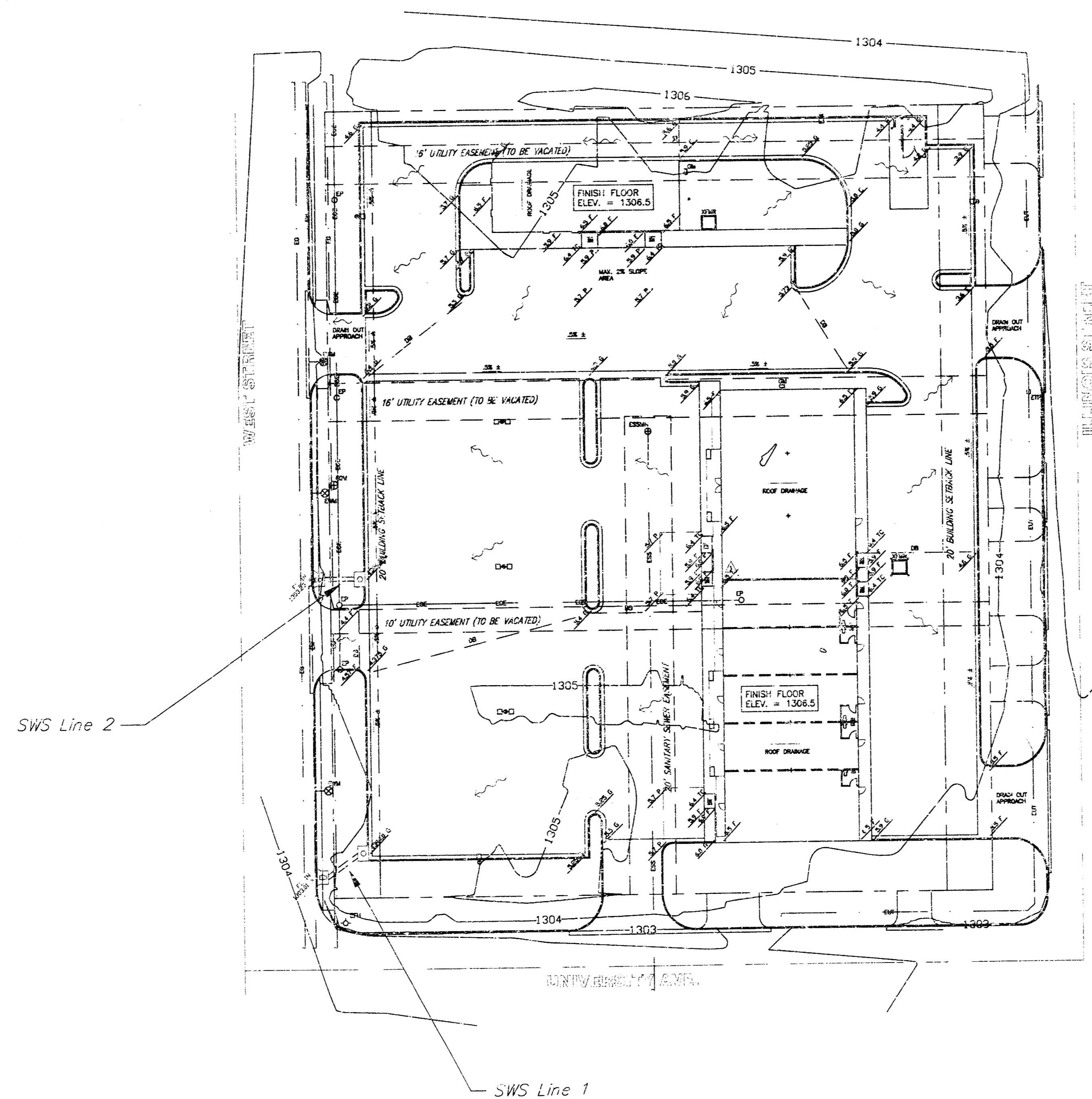
- Contractor will be required to provide notice to utility companies a minimum of twenty-four (24) hours prior to any excavation, as follows:

Kansas One-Call 687-2470

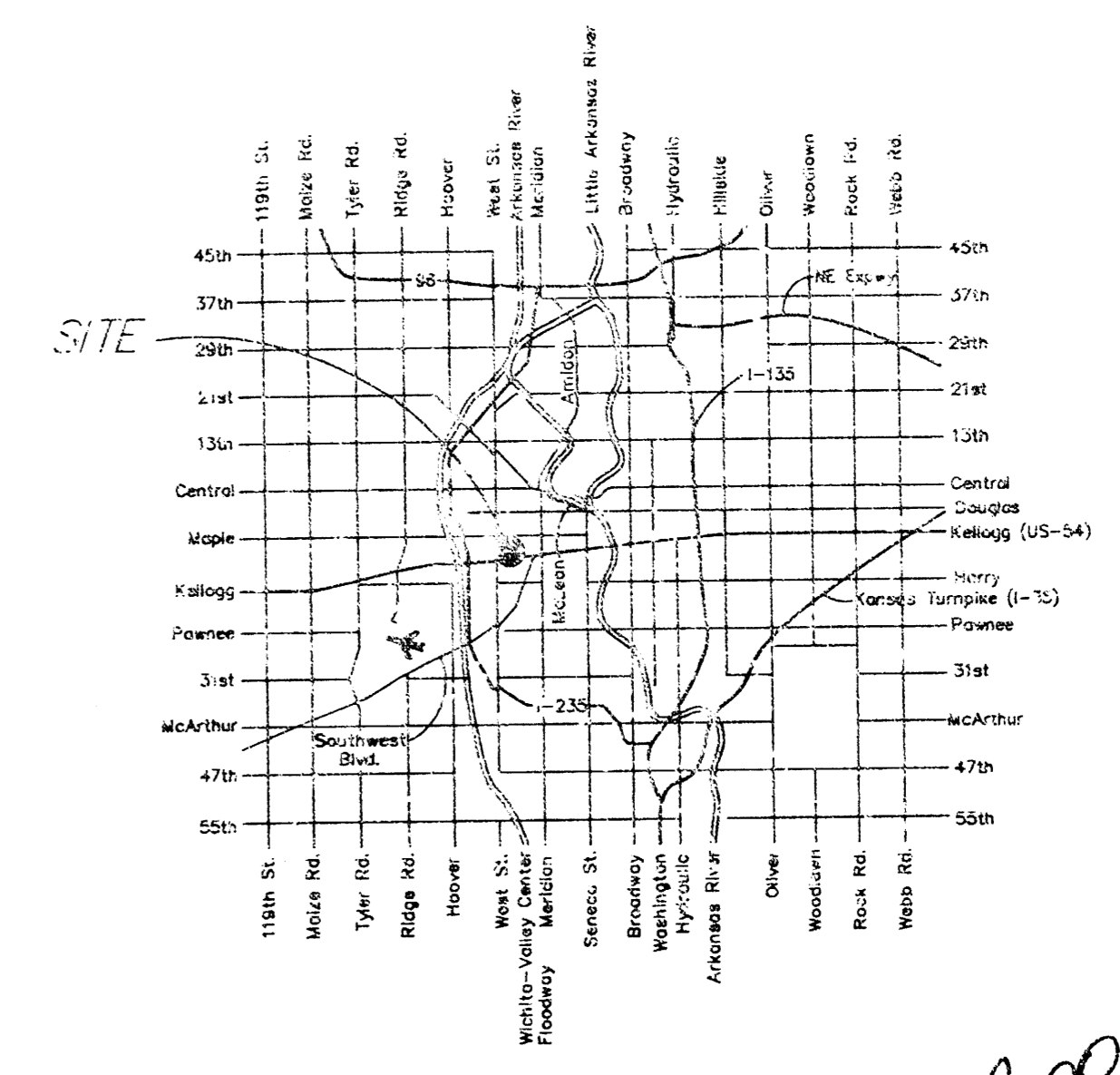
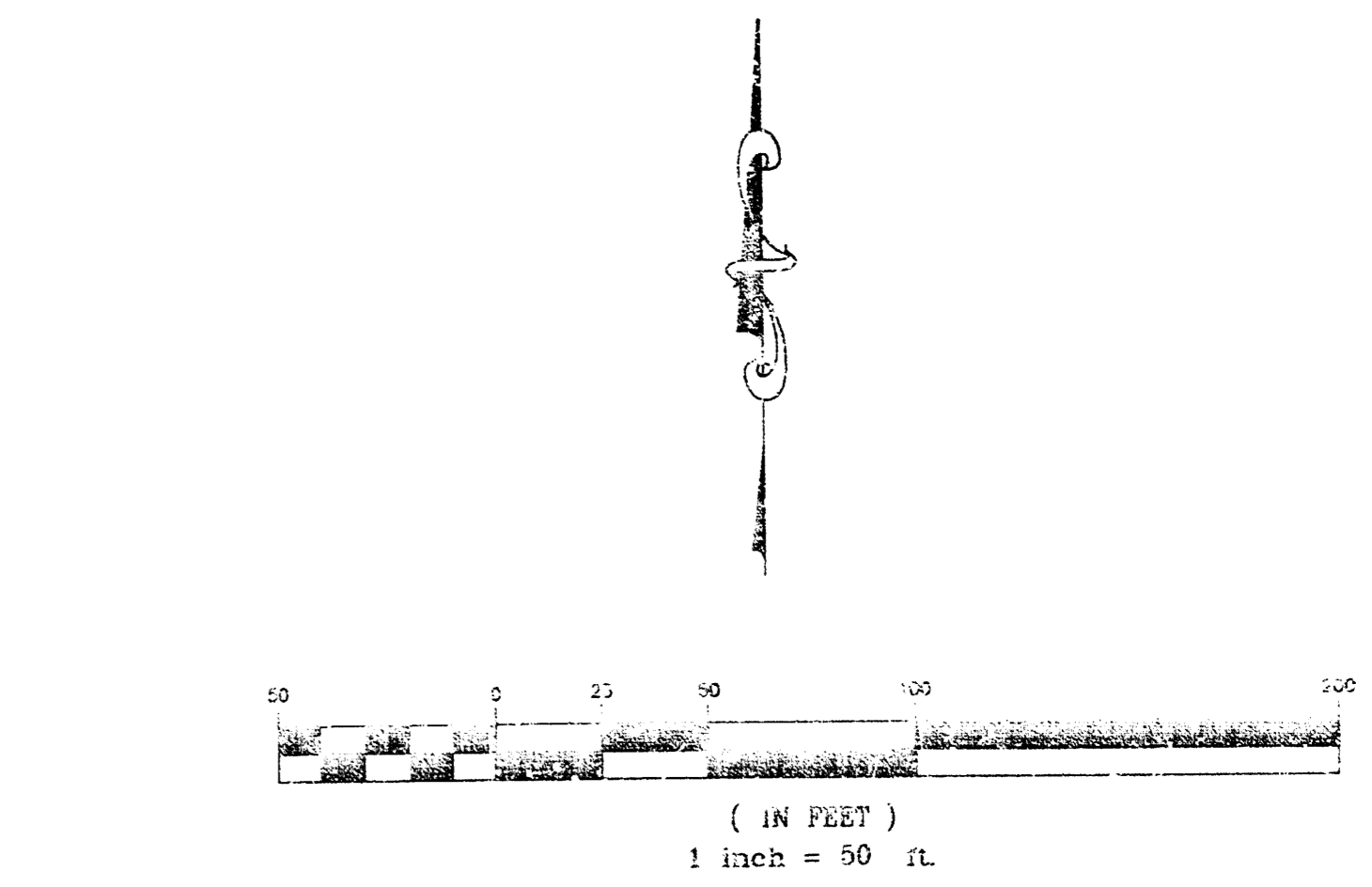
The Contractor must notify the following in case of an emergency:

Cablevision	262-4270
or	263-2061
K.P.L. Gas Service Company	263-7511
Kansas Gas & Electric Company	264-1141
Arkia Gas Company	942-8350
or	263-8161
Southwestern Bell Telephone Company	1-571-2611
City of Wichita Water Department	268-4908
City of Wichita Sewer Maintenance	268-4071
Kansas Gas Service	832-3168
or	832-3167

- All water mains and appurtenances shall be installed in accordance with City of Wichita, Kansas Standard Specifications for Water Main Installations No. 14533.
- The water main shall be constructed on the alignment shown by the plans. Trees and shrubs in public right-of-way which are in direct conflict with proposed new construction shall be removed by the Contractor with the Engineer's approval. Trees and shrubs which are not in direct conflict with proposed new construction shall be saved and protected from damage. The cost for any necessary tree trimming, clearing and/or grubbing shall be included in the price bid for the installed water main pipe.
- Opening and closing of water valves shall be done slowly to prevent damage to the water distribution system from water hammer. All valves closed by the contractor must be reopened as new construction permits. Project inspector must ascertain that any valve closed by the contractor is reopened. Contractor will be permitted to operate water valves only when the project inspector assigned to the project is present.
- Contractor shall not start work on the project until the project inspector is assigned to the project and is present on the site. Any work done without inspection will be required to be uncovered for inspection.
- Underground utility service lines and overhead utility pole lines are to be adjusted as necessary by others prior to construction, unless the plans specifically call for their adjustment by the Contractor. Existing utilities and their locations, as shown on the plans, represent the best information obtainable for design. Location information has been obtained from the various utility companies and is either from company record drawings or company-provided field locations. The Contractor will be required to work around existing utilities within the right-of-way which do not conflict with proposed construction.
- The Contractor shall give all property owners and/or tenants of developed property directly abutting the construction of this project a minimum of ten (10) days notice prior to start of construction.
- The Contractor shall be responsible for preserving property irons. The Contractor will be required to re-establish any property irons which are damaged or destroyed by his construction operations. Such irons shall be re-established by a licensed land surveyor in accordance with state law.
- All areas disturbed by construction operations shall be seeded with rye grass at a rate of 300 lbs/acre immediately following construction in that area. Ground shall be prepared per City of Wichita specifications prior to seeding.



AS-BUILT
DATE
9/24/01
SIGNED



LOCATION MAP

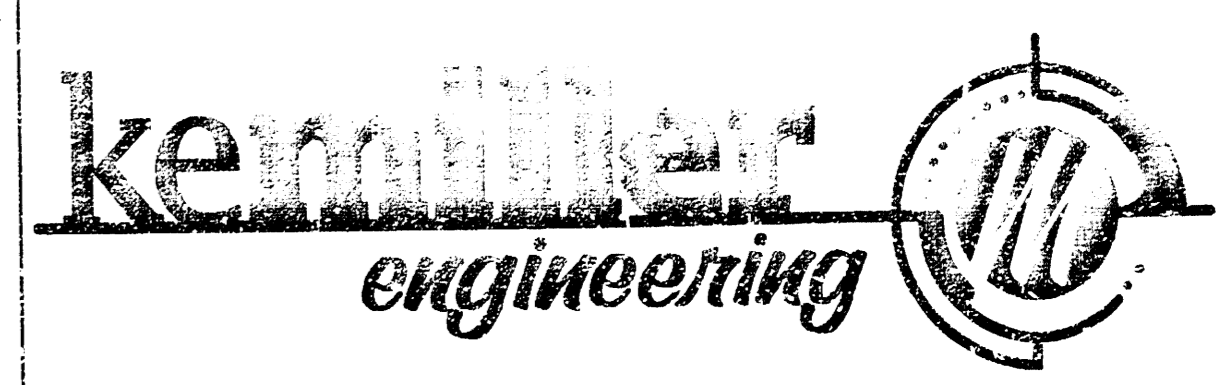
BOOKED
6-19-02
MCS
C-219

APPROVED AS NOTED

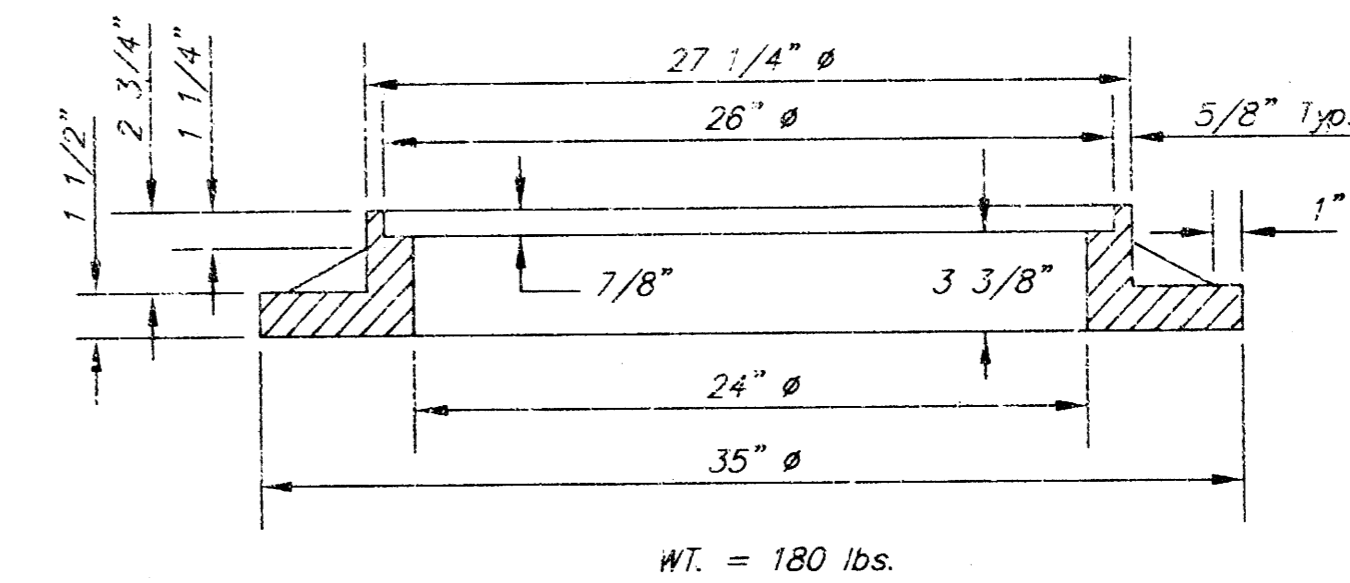
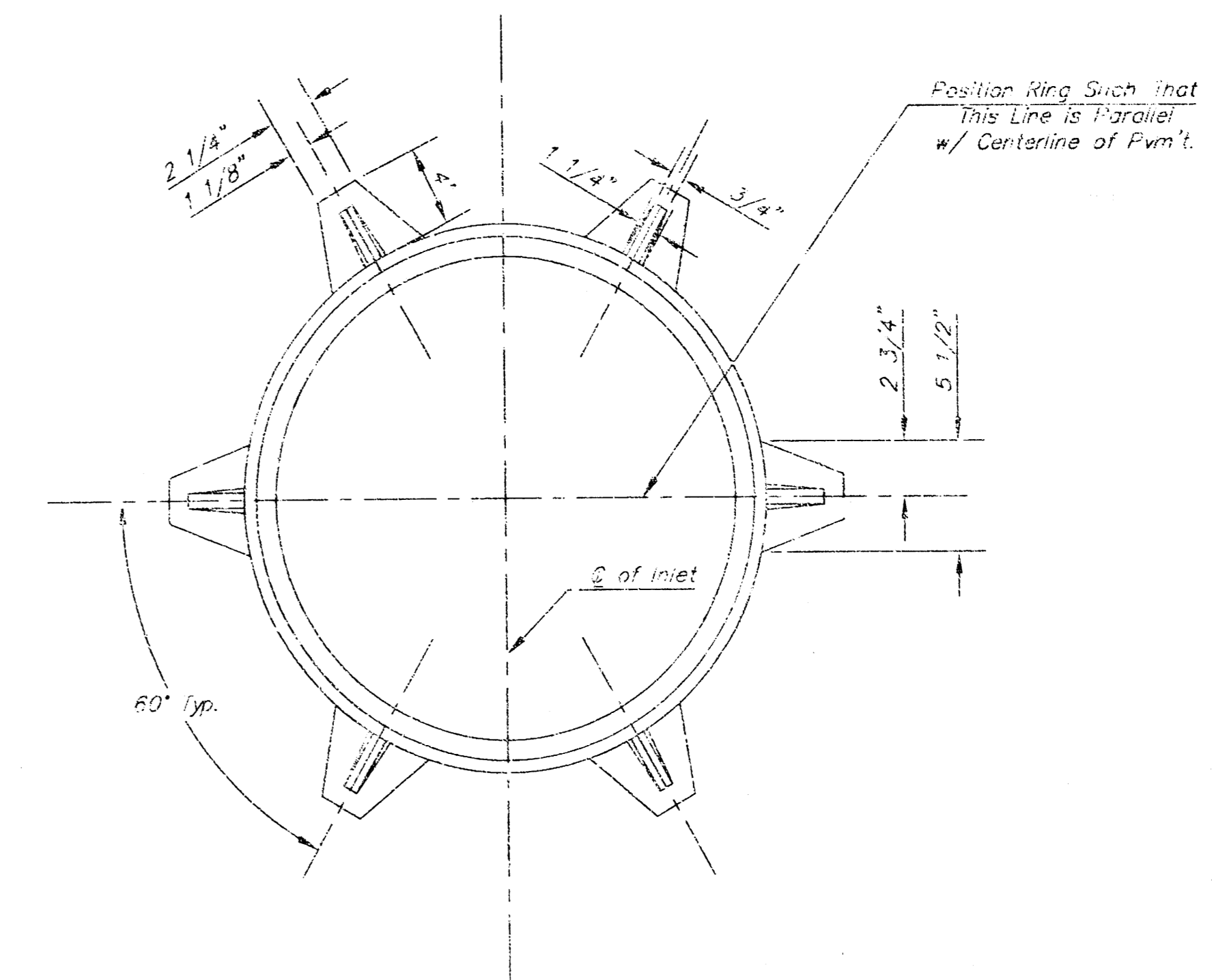
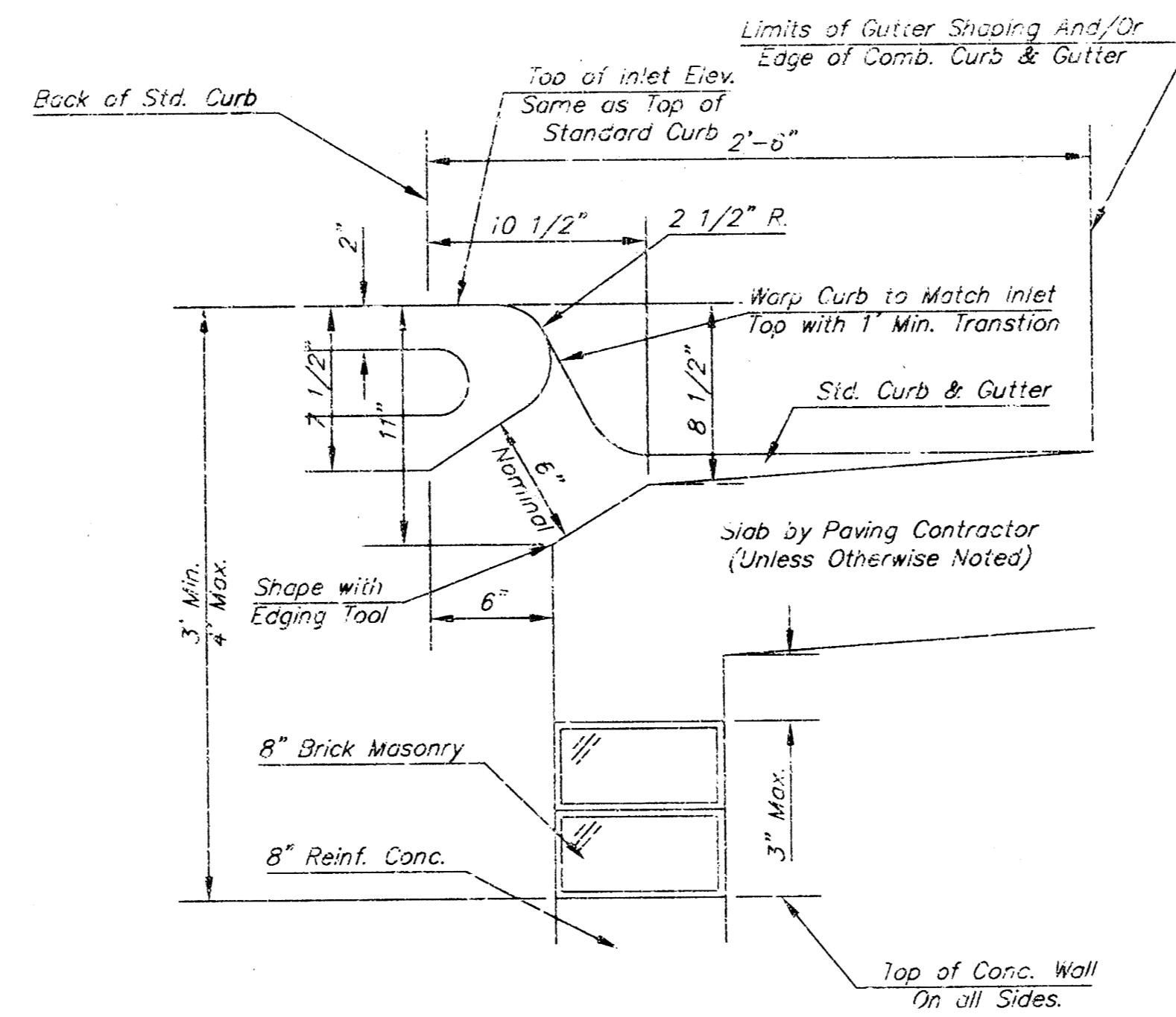
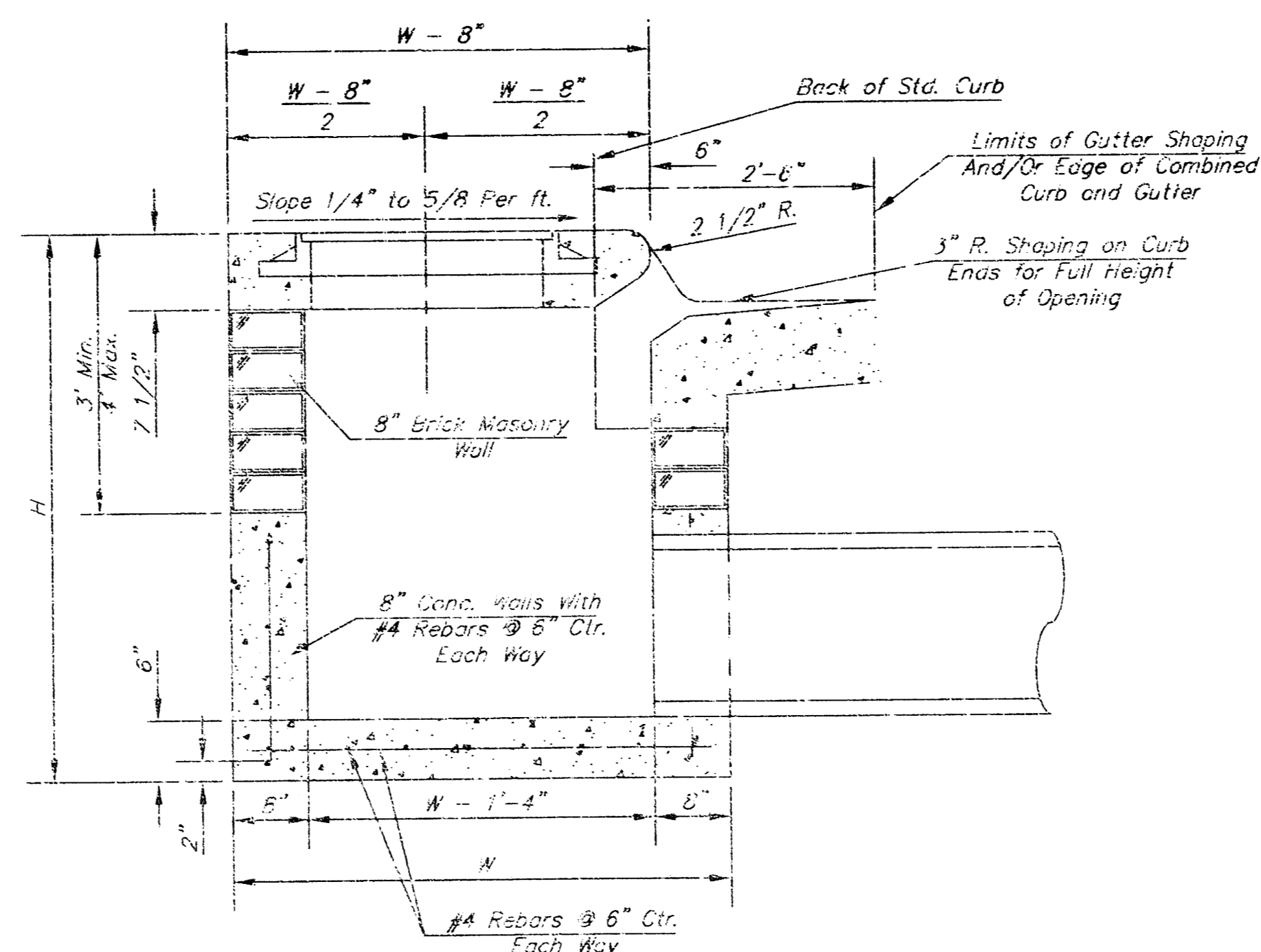
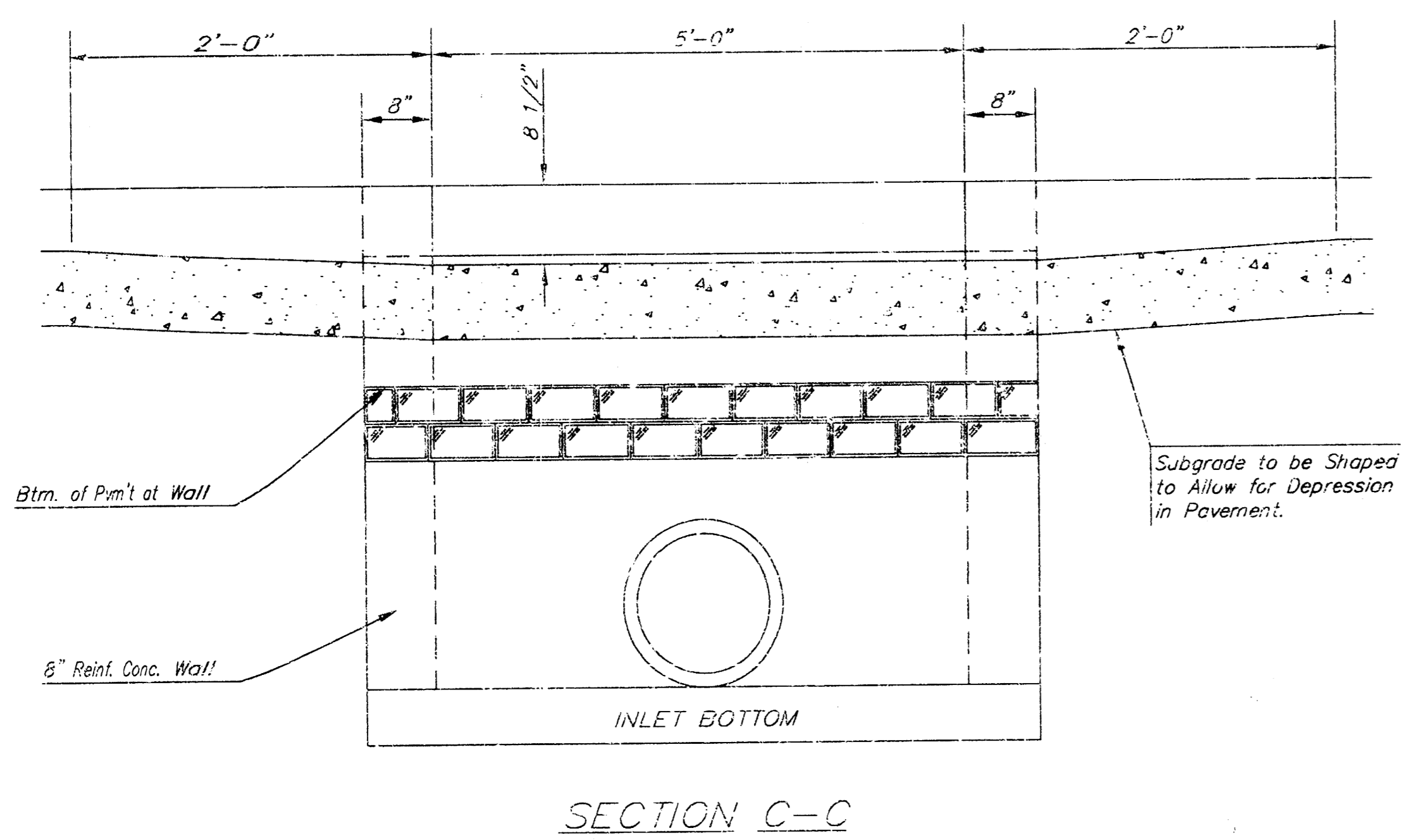
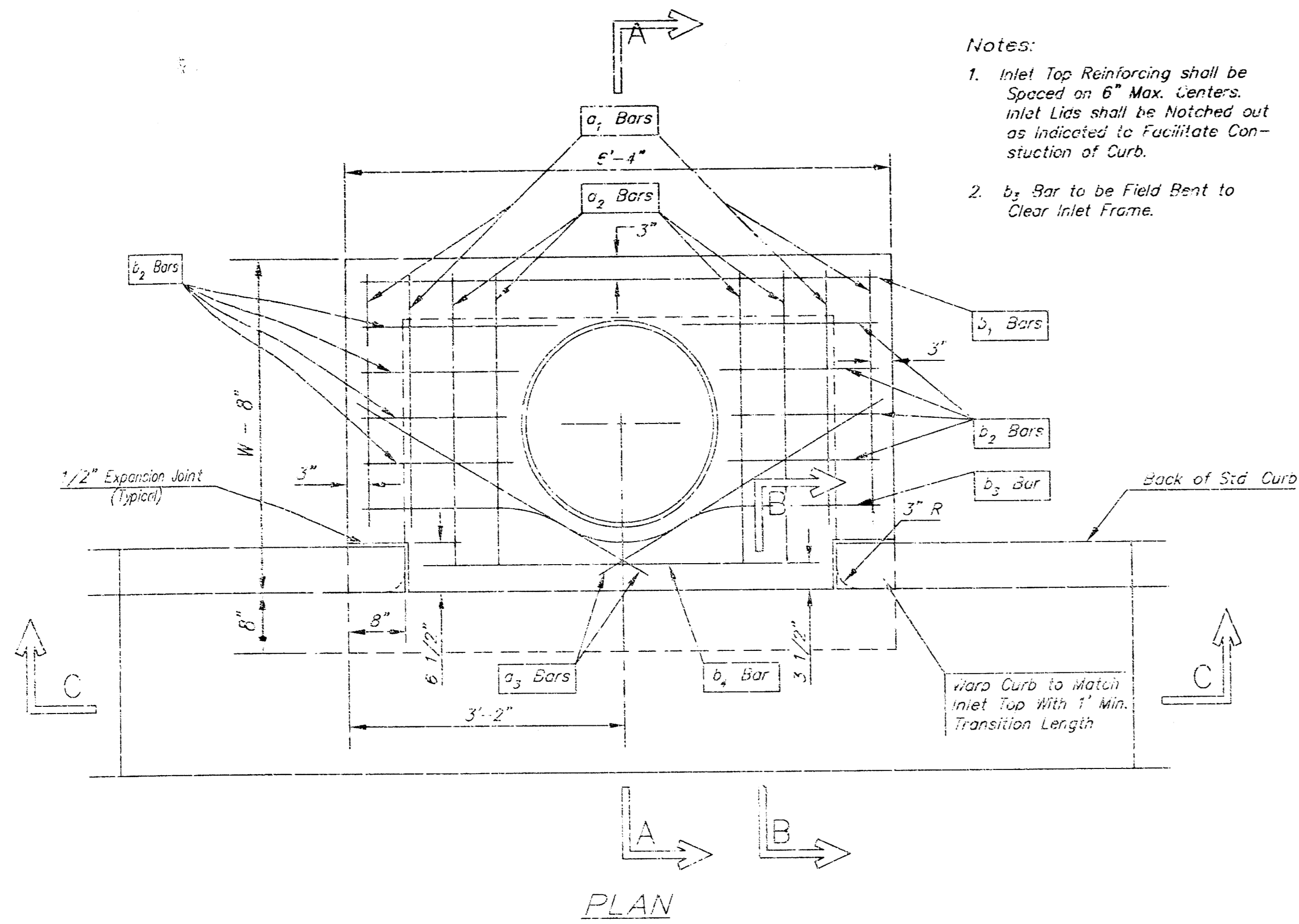
Storm Sewers URH 9/24/01
NOTE TO CONTRACTORS

Installation, inspection and testing for this project is to be provided by a Licensed Consulting Engineering Firm under contract with the Owner/Developer. Said inspection to be in accordance with the City of Wichita standard construction engineering practices and certified by a Licensed Professional Engineer. No work shall be performed in dedicated easements or public right-of-way by the Contractor without such inspection nor shall any work be commenced without written authorization by the City Engineer. All Construction and Materials shall comply with the City of Wichita Specifications and Standards (on file and available in the City Engineer's Office).

9/24/01

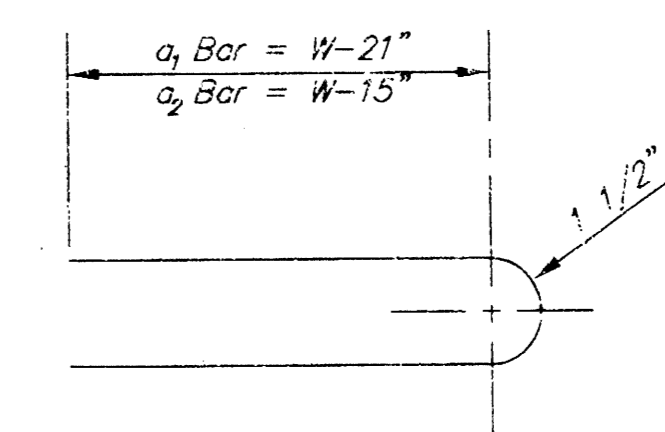


516 S. Market,
Wichita, KS 67202 316/264-0242



MANHOLE RING AND COVER

*See City of Wichita Standard Manhole Ring and Cover Detail Sheet for Cover Details to Be Used With Inlet Frame.



BENDING DIAGRAM

STEEL SCHEDULE

BAR	a ₁	a ₂	a ₃	b ₁	b ₂	b ₃	b ₄	b ₅	b ₆	WT. Lbs.	
NUMBER	4	4	2	1	3	5	7	9	5	1	
SIZE	#4	#4	#4	#4	#4	#4	#4	#4	#4	#6	
W=4'-4"	5'-7"	6'-7"	4'-0"	6'-1"	-	-	-	1'-5"	6'-2"	4'-8"	60±
W=5'-4"	7'-7"	6'-7"	5'-0"	6'-1"	-	-	-	1'-9"	5'-2"	4'-8"	81±
W=6'-4"	9'-7"	10'-7"	6'-0"	6'-1"	-	-	-	1'-9"	6'-2"	4'-8"	101±
W=7'-4"	11'-7"	12'-7"	7'-0"	6'-1"	-	-	-	1'-9"	5'-2"	4'-8"	121±
W=8'-4"	13'-7"	14'-7"	8'-0"	6'-1"	-	-	-	1'-9"	6'-2"	4'-8"	141±

Note: a₃ Bars to be Placed Approx. 2" Below Top of Inlet Cover.

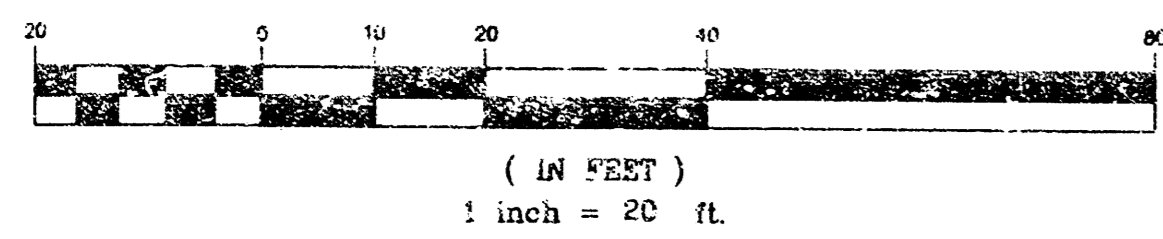
STANDARD CURB INLET PRECAST TOPS

W	PRE-CAST TOP SIZE	PIPE SIZE	CU. YD. CONC.
4'-4"	3'-8" 6'-4" 7 1/2"	21" & SMALLER	0.38±
5'-4"	4'-8" 6'-4" 7 1/2"	24" & 30"	0.51±
6'-4"	5'-8" 6'-4" 7 1/2"	36" & 42"	0.64±
7'-4"	6'-8" 6'-4" 7 1/2"	48" & 54"	0.77±
8'-4"	7'-8" 6'-4" 7 1/2"	60" & 66"	0.90±

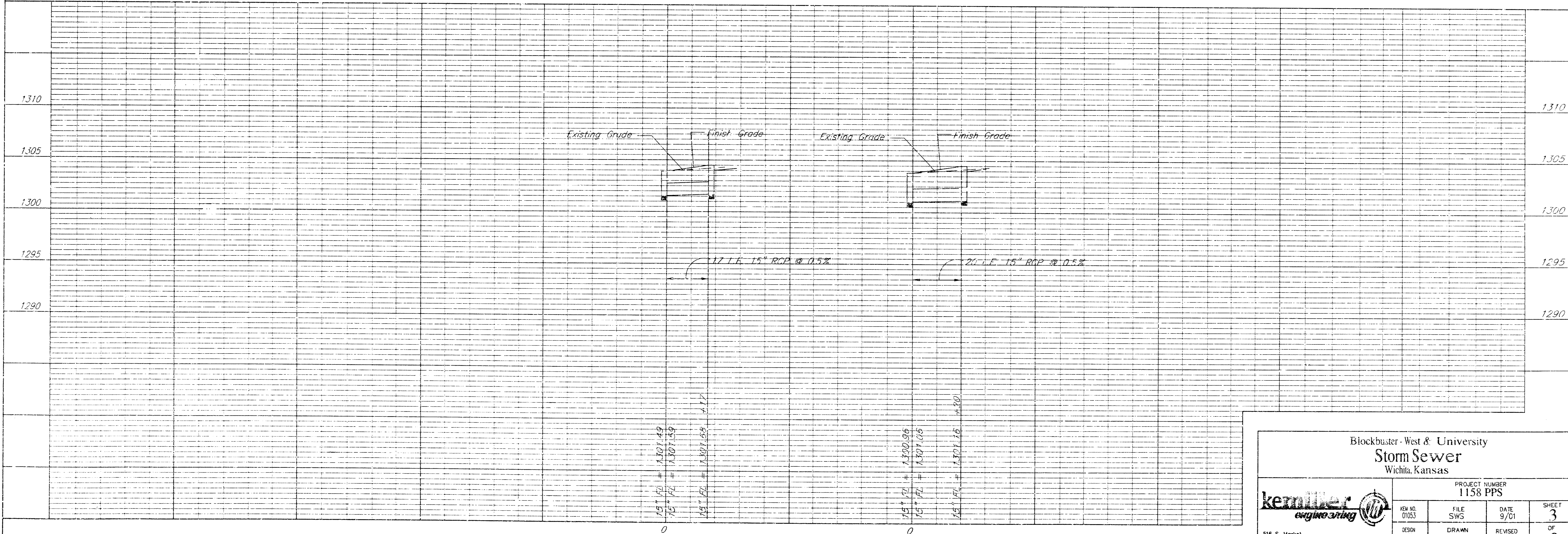
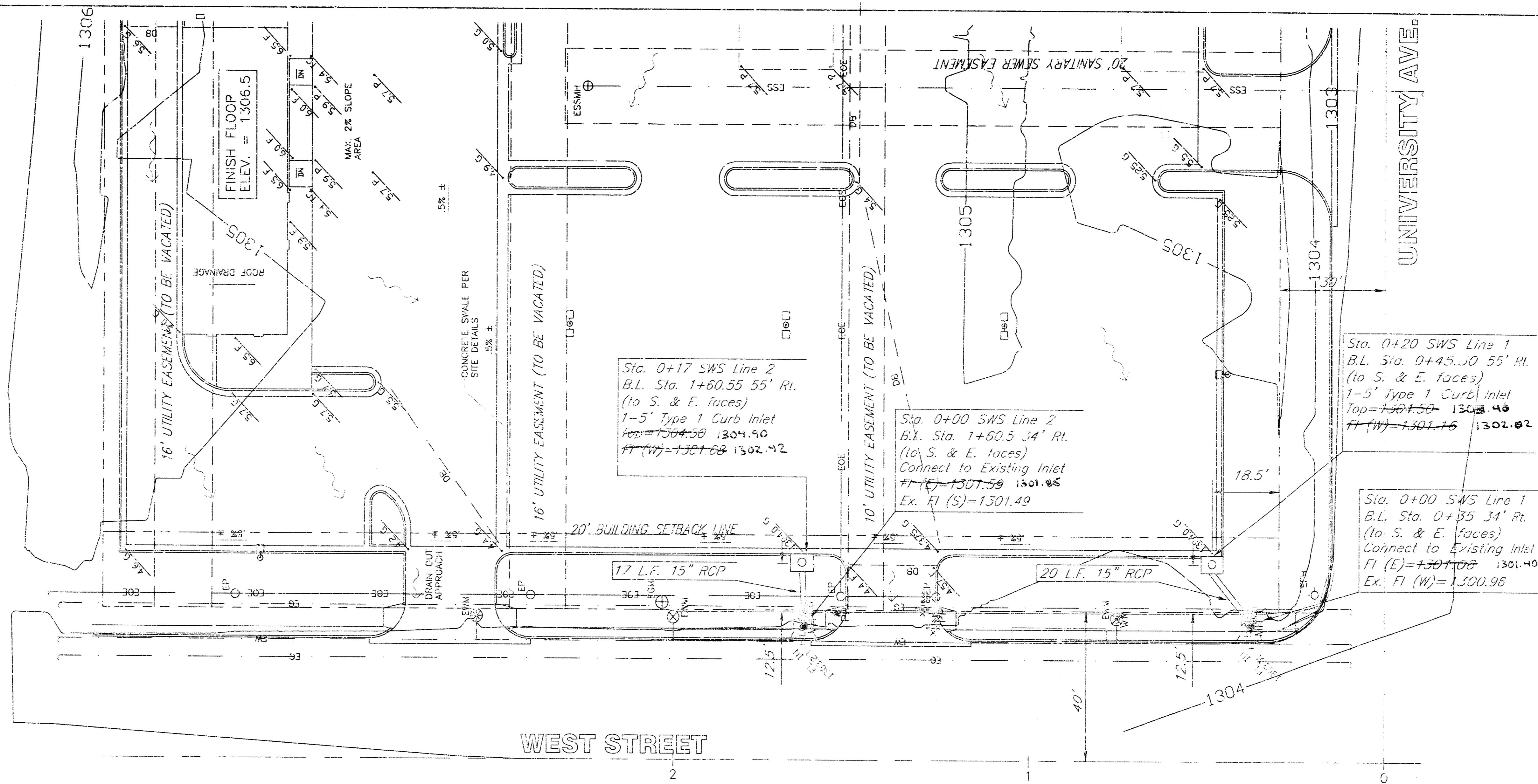
GENERAL NOTES

- Concrete tops to be installed on thin mortar cushion to insure full support along brick walls. Concrete tops may be cast in place or precast. Concrete used for inlet construction shall be concrete pavement mix.
- Contractor shall have the option of constructing 8" brick masonry walls between the concrete inlet base and top on this inlet when W=6'-4" and H=7'-0" or less.
- Inlet invert shall be shaped with 8 sack sand mix concrete to create flow channels and to increase hydraulic efficiency such that the inlet will be self cleaning between all inlet and/or outlet pipes.
- The ends of all pipes installed in inlets shall be cut off flush with the inside face of the inlet wall.

<p>THE CITY OF WICHITA</p> <p>CITY ENGINEER'S OFFICE CITY HALL - SEVENTH FLOOR 105 NORTH MAIN STREET WICHITA, KANSAS 67202 (316) 268-4001 (316) 268-4114 FAX</p>	<p>STANDARD TYPE 1 CURB INLET OPENING = 6" x 5'-0"</p>
	<p>M. E. LINDEBAK P.E. - CITY ENGINEER</p>
<p>PROJECT NUMBER 1158 PPS</p>	<p>INDEX CODE 607861</p>
<p>DATE MAR 96</p>	<p>SHEET 2 OF 3</p>



BENCHMARK
 □ cut on B/C @ center of the SE return at the intersection of University and West Street.
 Elev.=116.20 (City datum)
 Elev.=1303.60 (USGS)



Blockbuster - West & University
Storm Sewer
 Wichita, Kansas

PROJECT NUMBER 1158 PPS			
REV. NO.	FILE	DATE	SHEET
01053	SWG	9/01	3
DESIGN	DRAWN	REVISED	OF
KM	KM		3

316 S. Market
Wichita, KS 67202 316/264-0242