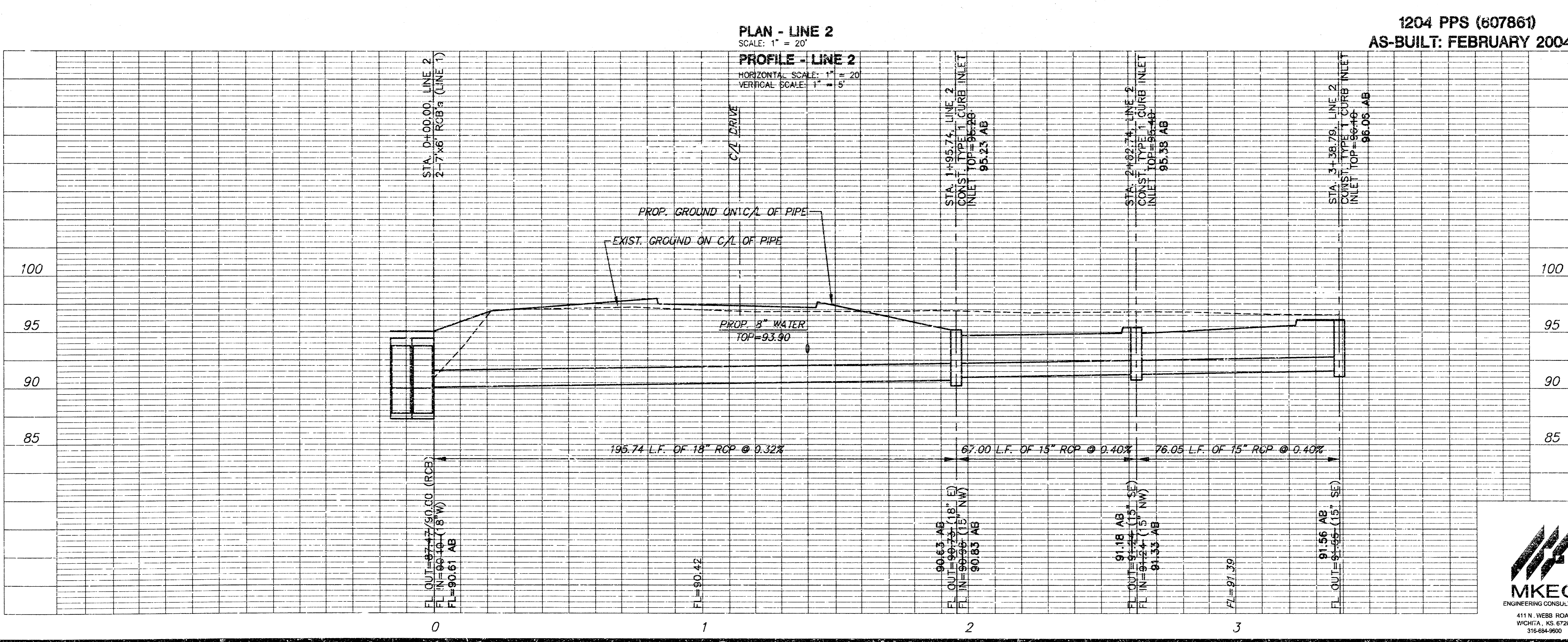
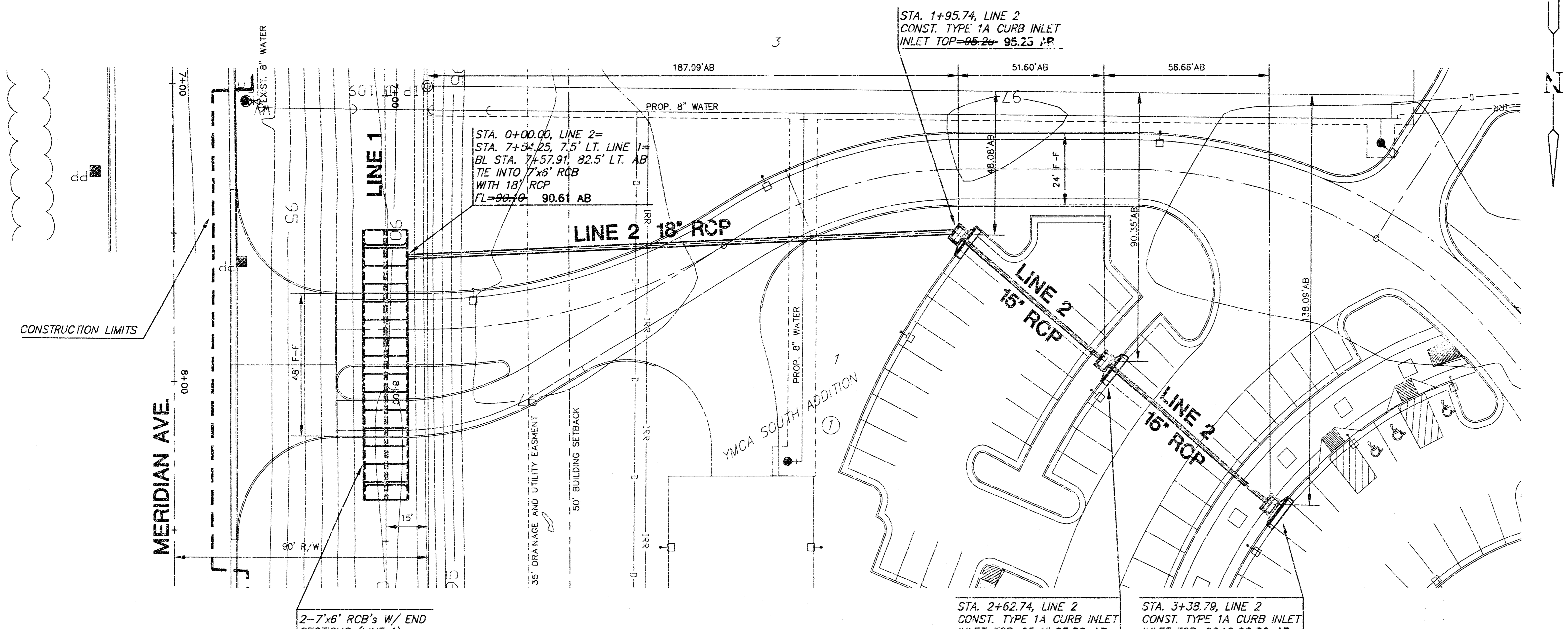


1 2 3 4 5



Gosson Livingston
 Architecture
 420 South Emporia
 Wichita, KS 67202
 Tel: (316) 265-9367
 Fax: (316) 265-5846
 Email: arch@glst.com

Fire Station No. 12
 3443 S. Meridian

2001 Gosson Livingston Associates, Inc.
 All work herein is the exclusive property of Gosson Livingston Associates, Inc. and is not to be copied or used in any way without the express written consent of Gosson Livingston Associates, Inc. All drawings, specifications, notes, designs and arrangements appearing herein constitute the original and copyrighted work of:
 Gosson Livingston Associates, Inc.

Regional Library & Fire Stations
(No. 4, 7, 12, 13, & 19)
for the City of Wichita, Kansas

Mark	Date	Description

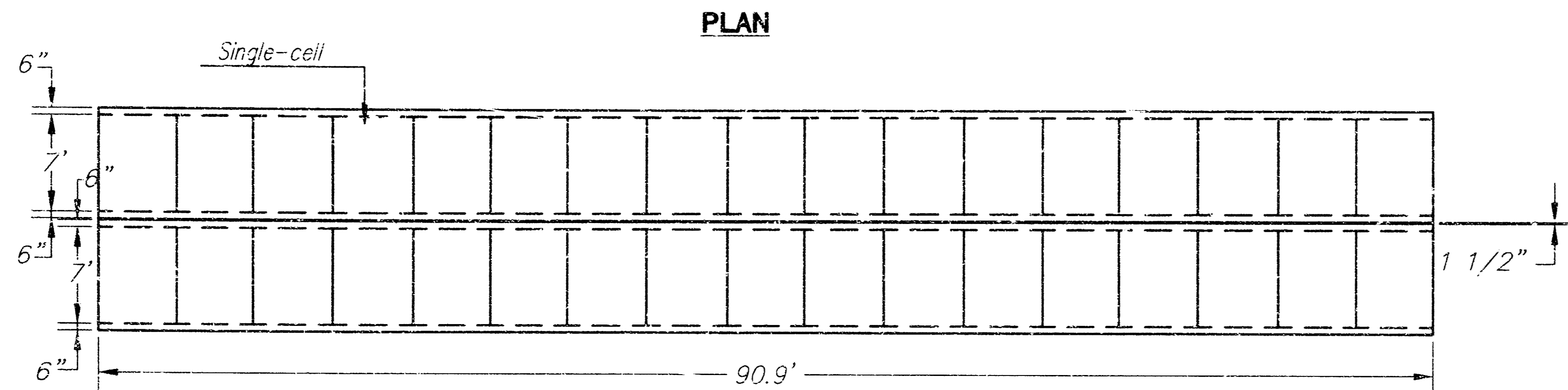
STORM WATER SEWER PLAN & PROFILE

Job No. 1036.000
 Date 01/25/02
 Drawn
 Checked
1204 PPS

C-CU103
 OF
 Dwg. 9 of 56
2 of 4

MKEC
 ENGINEERING CONSULTANTS
 411 N. WEBB ROAD
 WICHITA, KS 67206
 316-684-9600

D
C
B
A



GENERAL NOTES

PRECAST BOX CULVERTS: If precast box culverts are specified, they shall be constructed at the locations shown in the plans and according to the requirements shown on this sheet. When approved by the Engineer, cast-in-place box culverts may be constructed in lieu of precast box culverts. When the cast-in-place option is chosen by the Contractor, the precast quantities shall be used as the basis of payment which shall include all labor, equipment, materials, and incidentals necessary to complete the installation.

Unless otherwise approved by the Engineer, cast-in-place collars shall be required at horizontal and vertical changes in RCB alignment. Cast-in-place end sections and wingwalls are required except as noted on this sheet. Cast-in-place sections may be required at the direction of the Engineer at junctions of drainage structures.

Cast-in-place concrete work shall be done in accordance with the KDOT Specifications and KDOT's "Guidelines for Structural Design and Detail of Reinforced Concrete Box Culverts". Class AAA Concrete and Grade 60 Reinforcing Steel shall be used for the cast-in-place construction.

SPECIFICATIONS: Single-cell Precast Concrete Box Culverts shall conform to the requirements of the following specifications except as noted in the KDOT Specifications. Multiple-cell Precast Boxes shall be designed in accordance with the criteria used to develop the single-cell precast boxes. (See Appendices of ASTM Specifications C789 and C850 and the latest AASHTO Specifications.)

Condition	Min. Fill	AASHTO	Equiv. ASTM
2 Ft. or more fill	2 Ft.	M259, Table 2	C789, Table 2
Less than 2 Ft. fill	0 Ft.	M273, Table 2	C850, Table 2

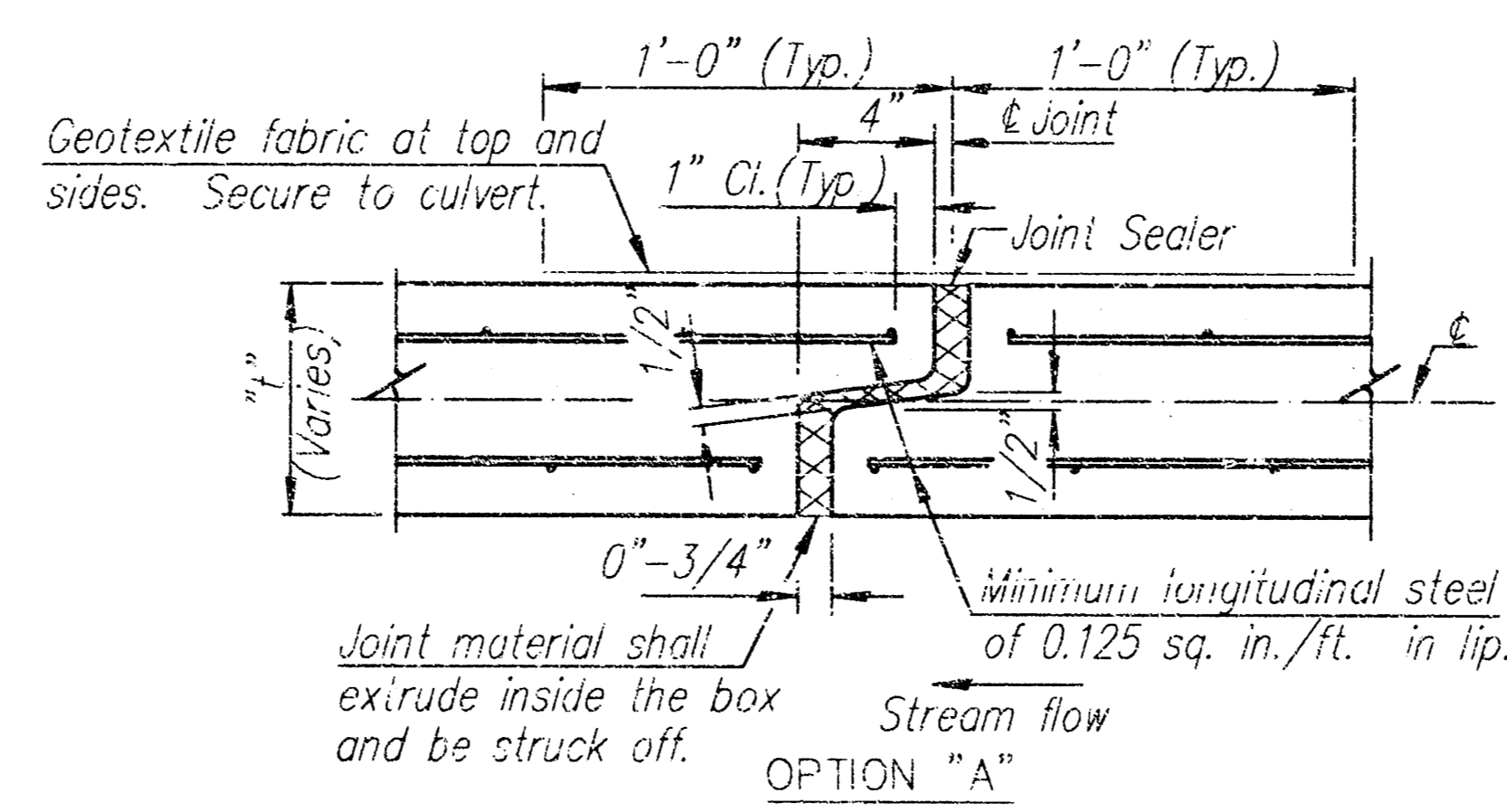
FABRICATION: Prior to fabrication, the Contractor shall furnish shop drawings to the Engineer for review. Shop drawings shall detail all phases of construction including layout, joint details, lifting devices, casting methods, construction placement and details of any cast-in-place segments or transitions that may be required. Copies of overweight and overload permits, when required, shall be submitted with the shop drawings.

The following information shall be legibly marked on an inside face of each box section by waterproof paint or other approved means:

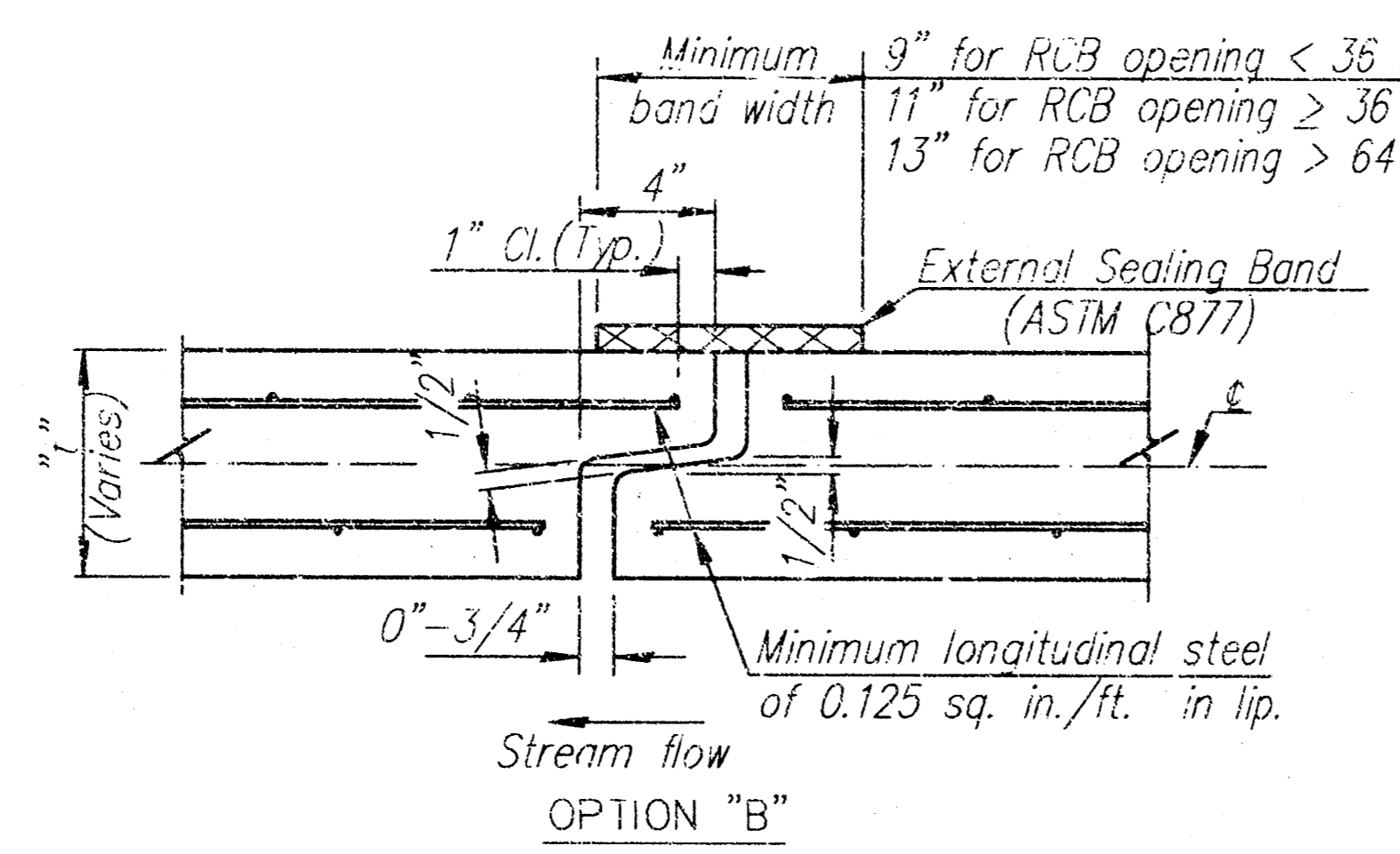
- Date of manufacture
- Name or trademark and location of the manufacturer
- Weight of box section in tons
- Piece mark
- The top of the box

CONSTRUCTION REQUIREMENTS: Foundation preparation shall be in accordance with KDOT Specifications except that a minimum 6 inch thickness of crushed stone for backfill or 3 inch seal course shall be provided. Choice of bedding shall be at the Contractor's option and approved by the Engineer.

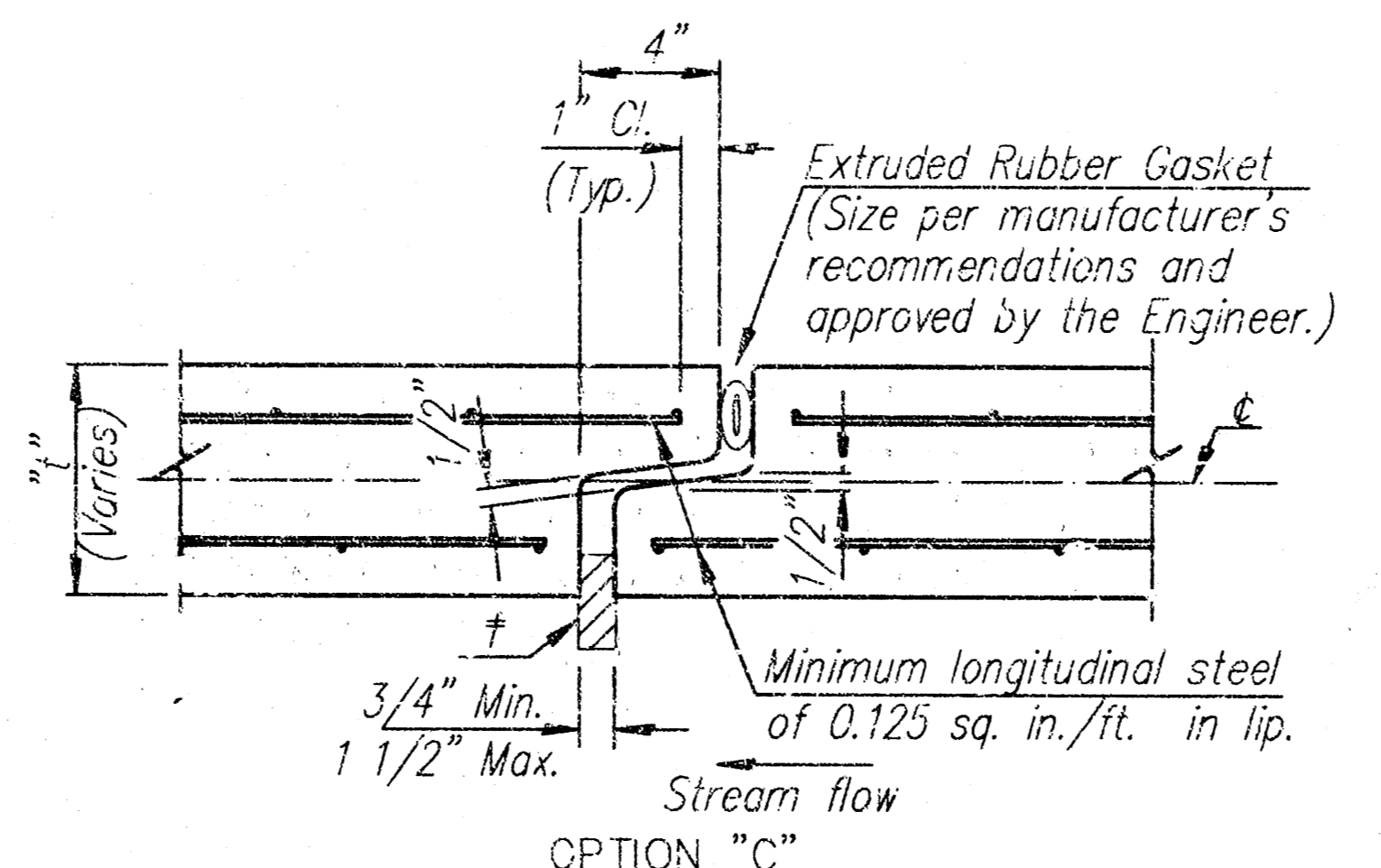
Precast concrete box culvert shall be laid with the groove end of each section up-grade, and the sections shall be tightly joined. Joint shall be sealed with an approved bituminous mastic material and geotextile or sealing band or an extruded rubber gasket, installed in accordance with the recommendations of the manufacturer. Lifting holes shall be plugged with a precast plug, sealed and covered with mastic or mortar.



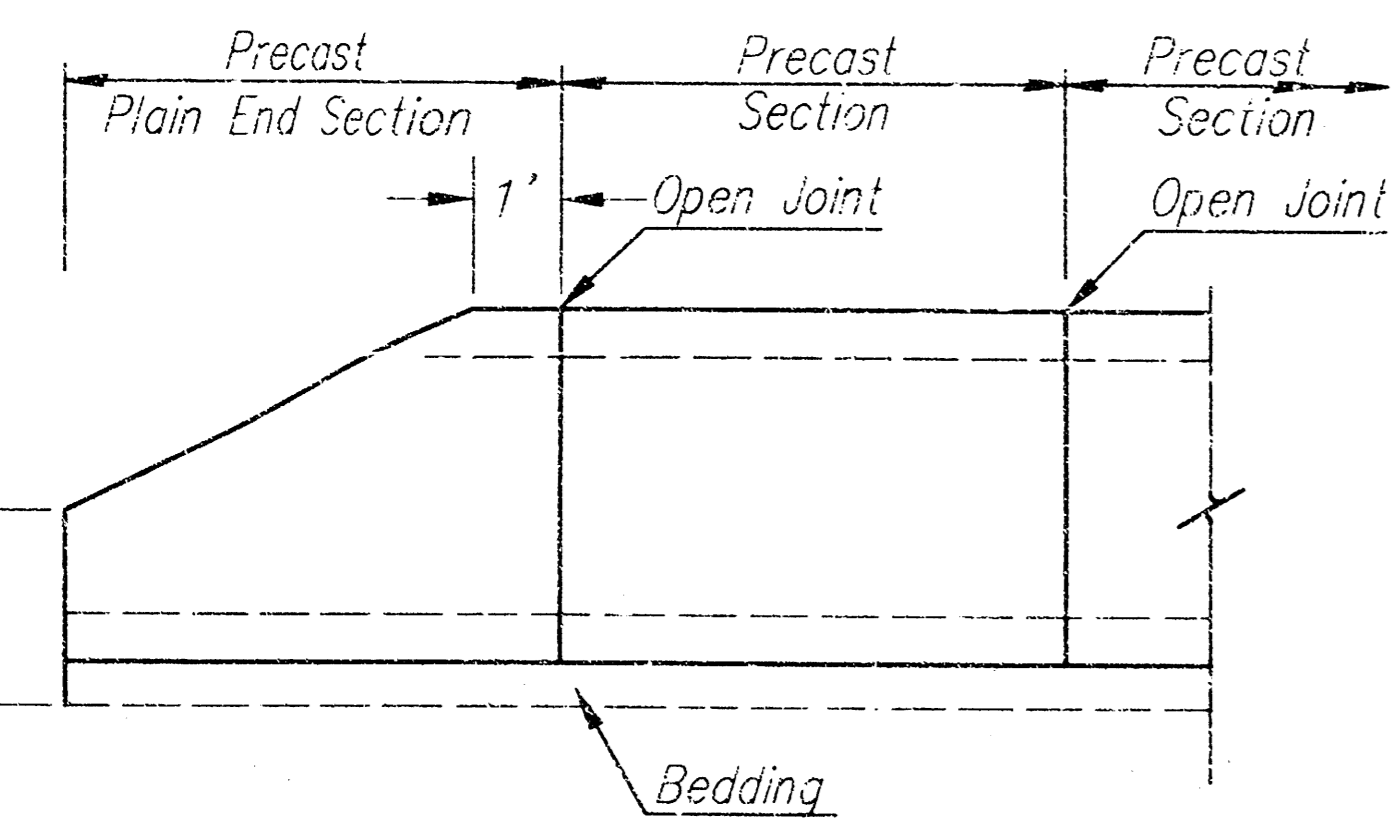
OPEN JOINT DETAIL



OPTION "B"



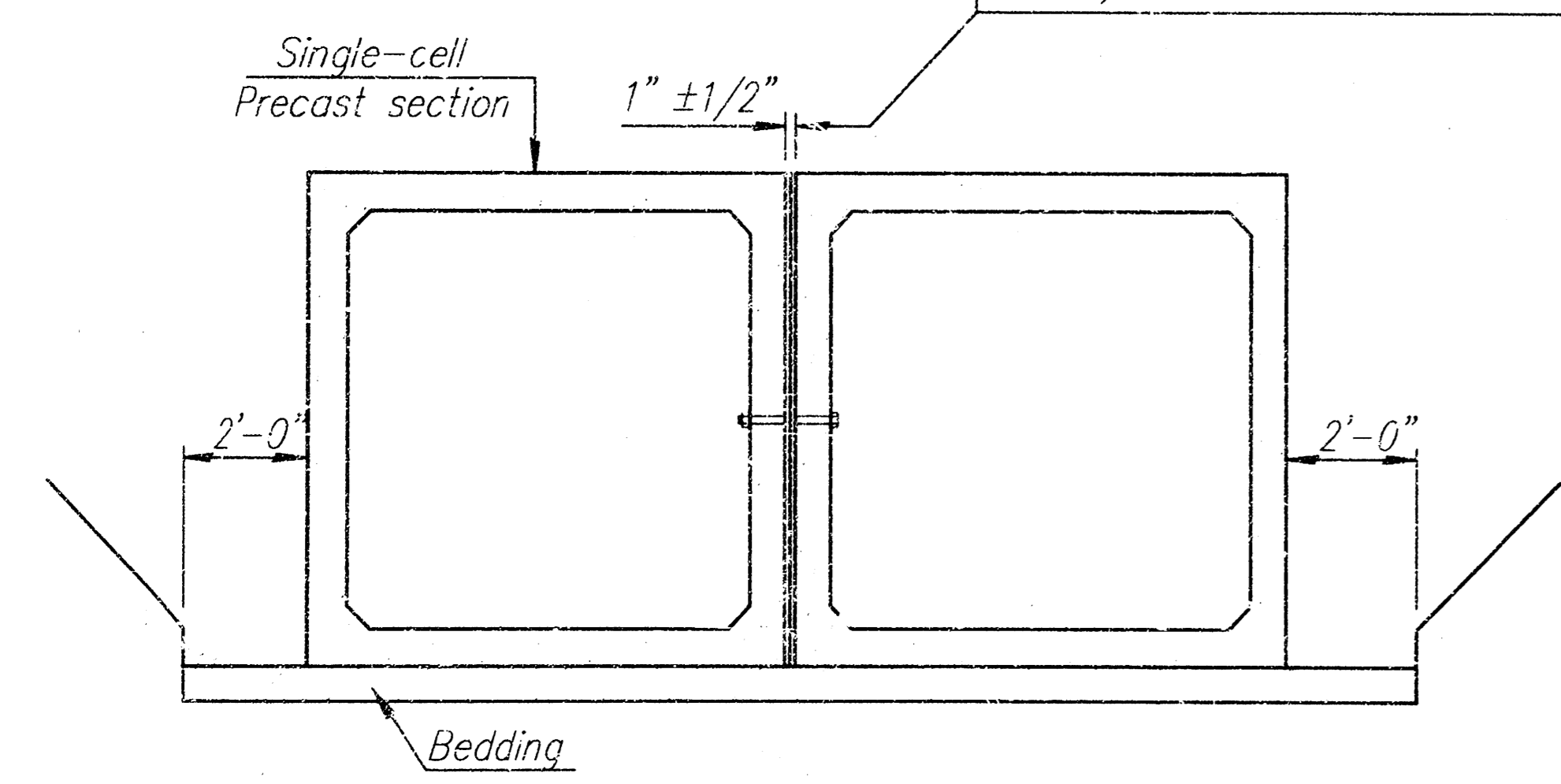
OPTION "C"



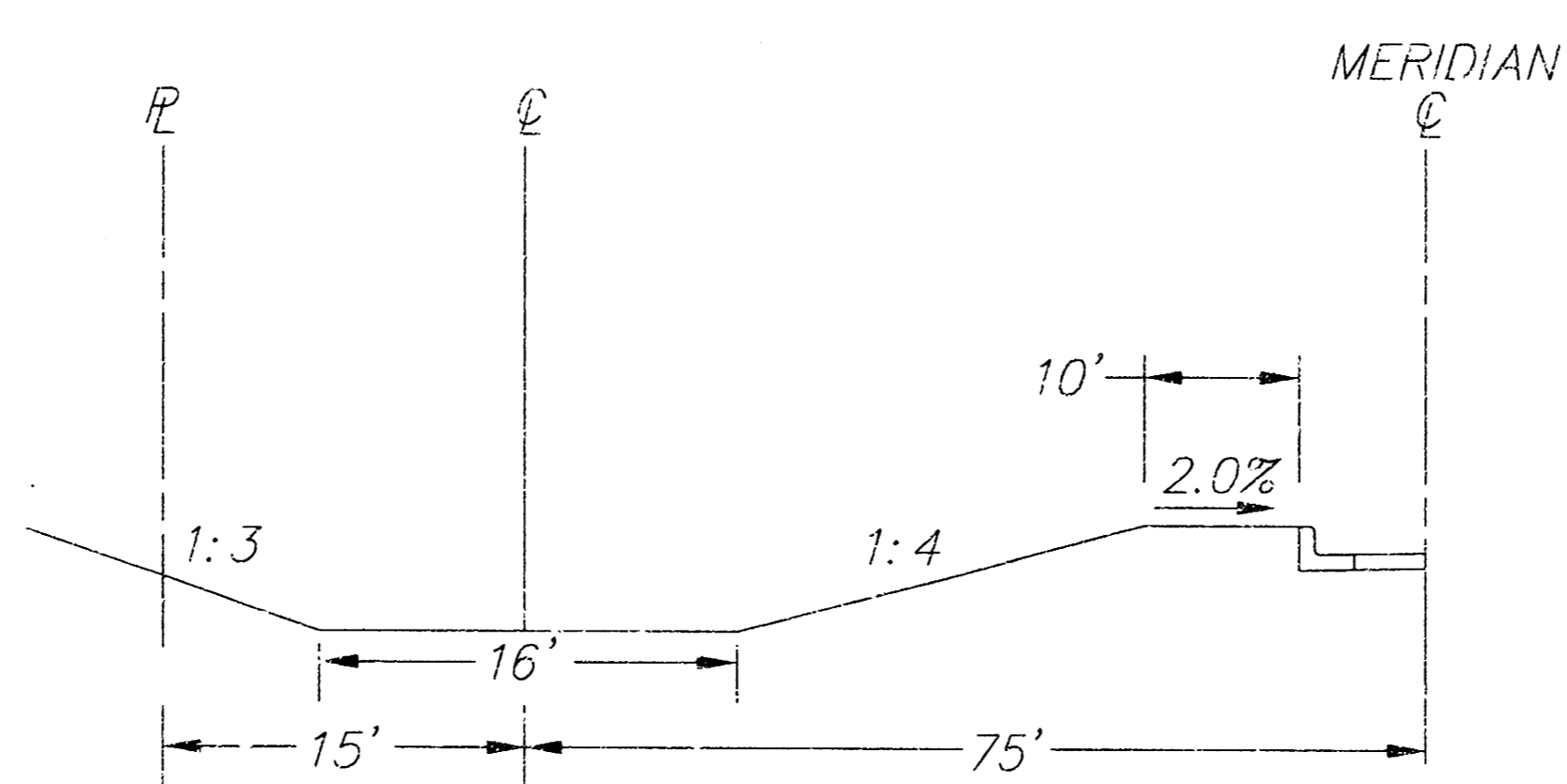
ELEVATION AT PRECAST END SECTION

(Precast End Sections are permitted where straight wings are shown in the plans or at the downstream end for single cell RCB with a rise of six feet or less.)

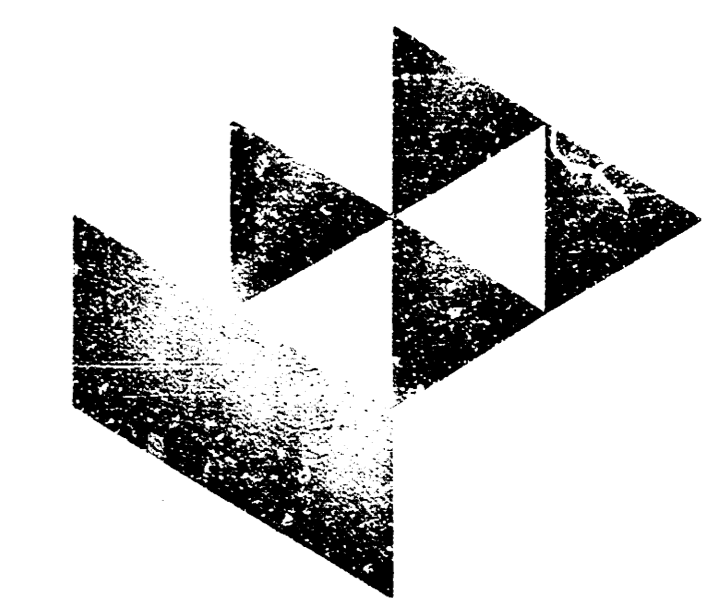
Fill space between boxes with grout. (To maintain proper joint gap, partially backfill boxes prior to grouting or provide a mechanical connection between boxes.)



TYPICAL INSTALLATION DETAILS



TYPICAL DITCH SECTION



Geosol Livingston
Architecture
 420 South Emporia
 Wichita, KS 67202
 Tel: (316) 265-9367
 Fax: (316) 265-5646
 Email: arch@geosol.com



Fire Station No. 12
3443 S. Meridian

2001 Geosol Livingston Associates, Inc.
 All work herein is the exclusive property of Geosol Livingston Associates, Inc. and is not to be copied or used in any way without the express written consent of Geosol Livingston Associates, Inc. All drawings, specifications, plans, designs and recommendations appearing herein constitute the original and unpublished work of:

Regional Library & Fire Stations
(No. 4, 7, 12, 13, & 19)
for the City of Wichita, Kansas

Blank	Date	Description	Initials	Description

RCB CULVERT DETAILS

Job No. 1036.000	C-CU502
Date 01/25/02	
Drawn	OF
Checked	Dr. 12 of 56
1204 PPS	3 of 4

1204 PPS (607861)



MKEC
 ENGINEERING CONSULTANTS
 411 N. WEBB ROAD
 WICHITA, KS 67204
 316-684-9600

