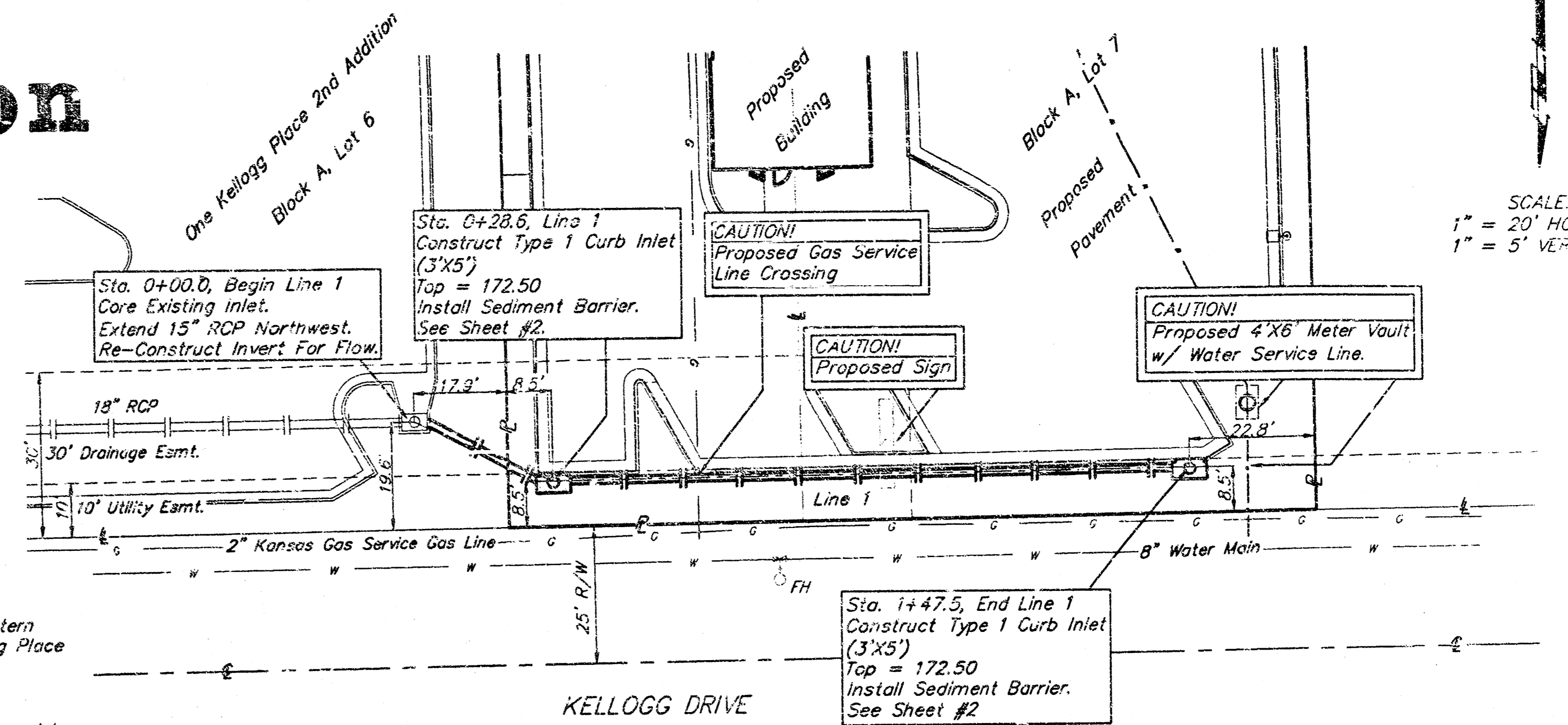


STORM WATER SEWER TO SERVE One Kellogg Place 2nd Addition

Block A, Part of Lots 6 & 7
Private Project Number: 1244 PPS (607861)

CITY OF WICHITA, KANSAS
Michael E. Lindebak, P.E. City Engineer
May 2002



SCALE:
1" = 20' HORIZ.
1" = 5' VERT.

Index

- Cover/Plan/Profile Sheet
- Type 1 Curb Inlet & Sediment Barrier Detail
- BMP Erosion Details
- Copy Of Plat

Legal Description

1. Lot 7 EXCEPT that part described as beginning at the northwest corner of said Lot 7, thence N89°12'49"E, along the north line of said Lot 7, 154.98 feet, thence S00°44'48"W, parallel with the east line of Lot 6, Block A, of said One Kellogg Place 2nd Addition, 213 feet to a point on the south line of said Lot 7, thence S89°12'49"W, 154.83 feet to the southwest corner of said Lot 7, thence N00°47'11"W, along the west line of said Lot 7, 218 feet to the Point of Beginning, together with Lot 6, EXCEPT the asect 200 feet thereof, all in Block A, One Kellogg Place 2nd Addition, Wichita, Sedgewick County, Kansas.

Bench Marks:

1. Chiseled On Top Of Catch Basin. Approximately 12.7 ft. East & 22.4 ft. North of Eastern most Northeast Corner, Lot 12, Block A, One Kellogg Place 2nd Addition. Elev. = 172.57 (City Datum)
2. RR Spike in North face of PP, at S.E. Corner of Greenwood Road and Orme Street 48.61 East of Center Line. Elev. = 162.97 City Datum (1350.37 M.S.L.)

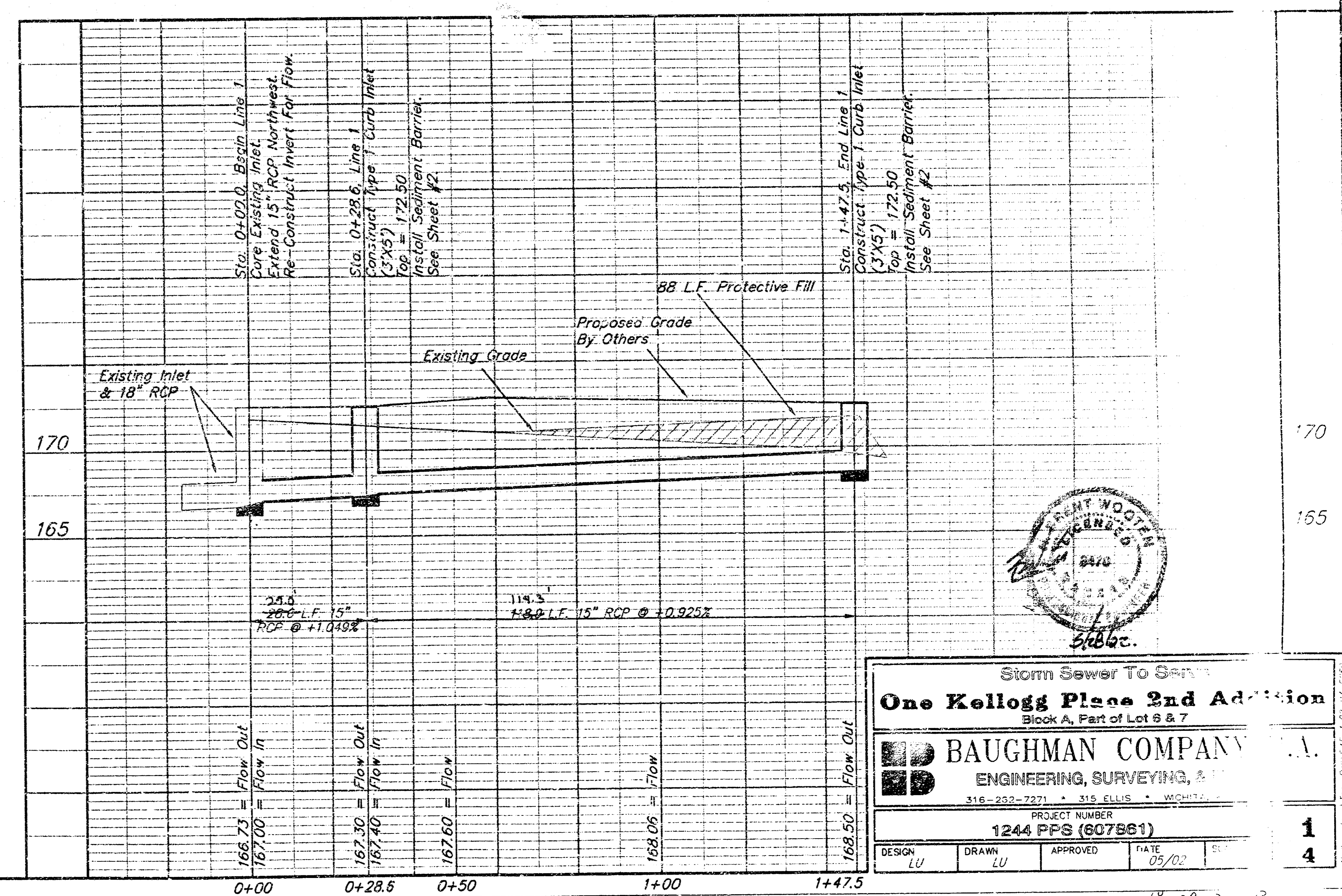
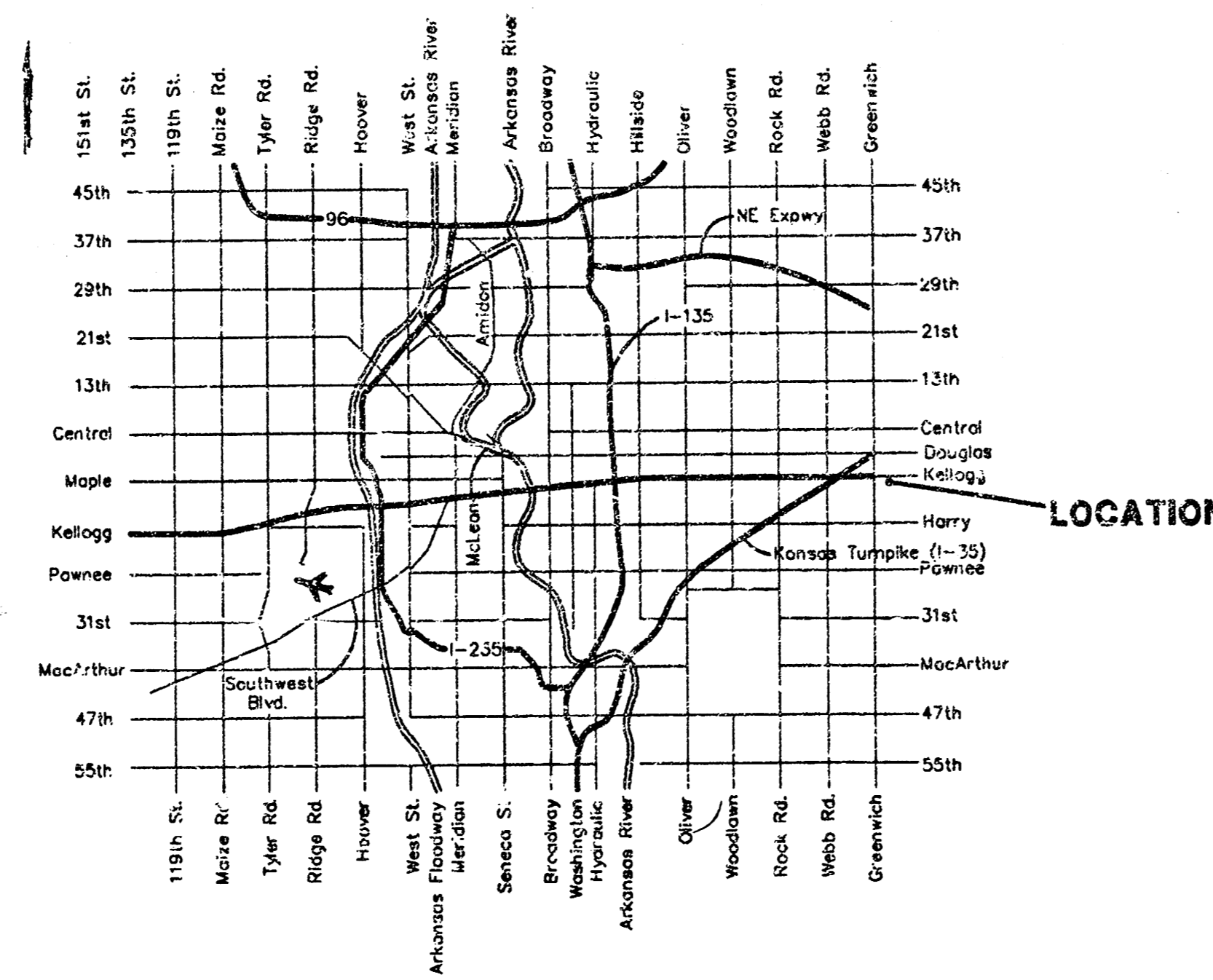
General Notes

1. Contractor will be required to provide notice to utility companies a minimum of forty-eight (48) hours prior to any excavation, as follows:
Kansas One-Call 687-2470
The Contractor must notify the following in case of an emergency:
Cox Communications 282-4270
Kansas Gas Service Company 1-888-482-4950
Westar Energy (Electric) 383-8650
Aquila Energy (Gas) 1-800-303-0357
Southwestern Bell Telephone Company 1-800-286-8313
City of Wichita Water Department 268-4903
City of Wichita Sewer Maint. (San. Sewer) 268-4024
City of Wichita Storm Sewer Maint. 268-4380
City of Wichita Traffic Maint. 268-4034
2. Utility service lines, poles, valve boxes, meters, et cetera are to be adjusted as necessary by others prior to construction unless the plans specifically call for their adjustment by the contractor or unless the plans specifically identify a utility to be adjusted by its owner during construction. Existing utilities and their location, as shown on the plans represent the best information obtainable for design and shall be field verified. The contractor will be required to work around existing utilities within the right-of-way which do not conflict with proposed construction.
3. Contractor shall not start work on the project until the project inspector is assigned to the project and is present on the site. Contractor shall not start on the project until all necessary bonds and permits have been obtained. Any work done without inspection will be required to be uncovered for inspection.
4. All R/W areas disturbed by construction operations shall be seeded with K-31 fescue at a rate of 8 lbs. per 1000 sq. feet or as per city specs. Contractor to prepare ground to city specifications.
5. Rubble from the removal of miscellaneous structures and excess excavation which is to be wasted shall be disposed of on sites to be provided by the Contractor. These sites shall be approved by the Engineer as to suitability, appearance and site location. Locations that, in the opinion of the Engineer, will leave an unsightly appearance will not be approved. All disposal sites must be approved by the Kansas Department of Health and Environment. Material either stockpiled or disposed of in a flood plain would require a Kansas State Board of Agriculture permit. Any material dumped in waters of the United States or wetlands is subject to U.S. Corps. of Engineers permitting regulations. Any material buried or stockpiled beyond approved construction limits would require additional archaeological investigations unless buried in a previously approved borrow location.
6. All storm sewer mains and structures shall be installed in accordance with the most recent edition of City of Wichita, Kansas Standard Specifications for the Construction of City Projects.

Contractor Shall Follow All Applicable Best Management Practices (BMP) For Erosion Control, See Sheet 3

AS-BUILT
8/1/02
Date
8/1/02
Signed

APPROVED AS NOTED
BY CITY ENGINEER OF WICHITA
Storm Sewers VRLH 5/30/02
NOTE TO CONTRACTORS
Installation, inspection and testing for this project is to be provided by a Licensed Consulting Engineering Firm under contract with the Owner/Developer. Said inspection to be in accordance with the City of Wichita standard construction engineering practices and certified by a Licensed Professional Engineer. No work shall be performed in dedicated easements or public right-of-way by the Contractor without such inspection nor shall any work be commenced without written authorization by the City Engineer. All Construction and Materials shall comply with the City of Wichita Specifications and Standards (on file and available in the City Engineer's Office).



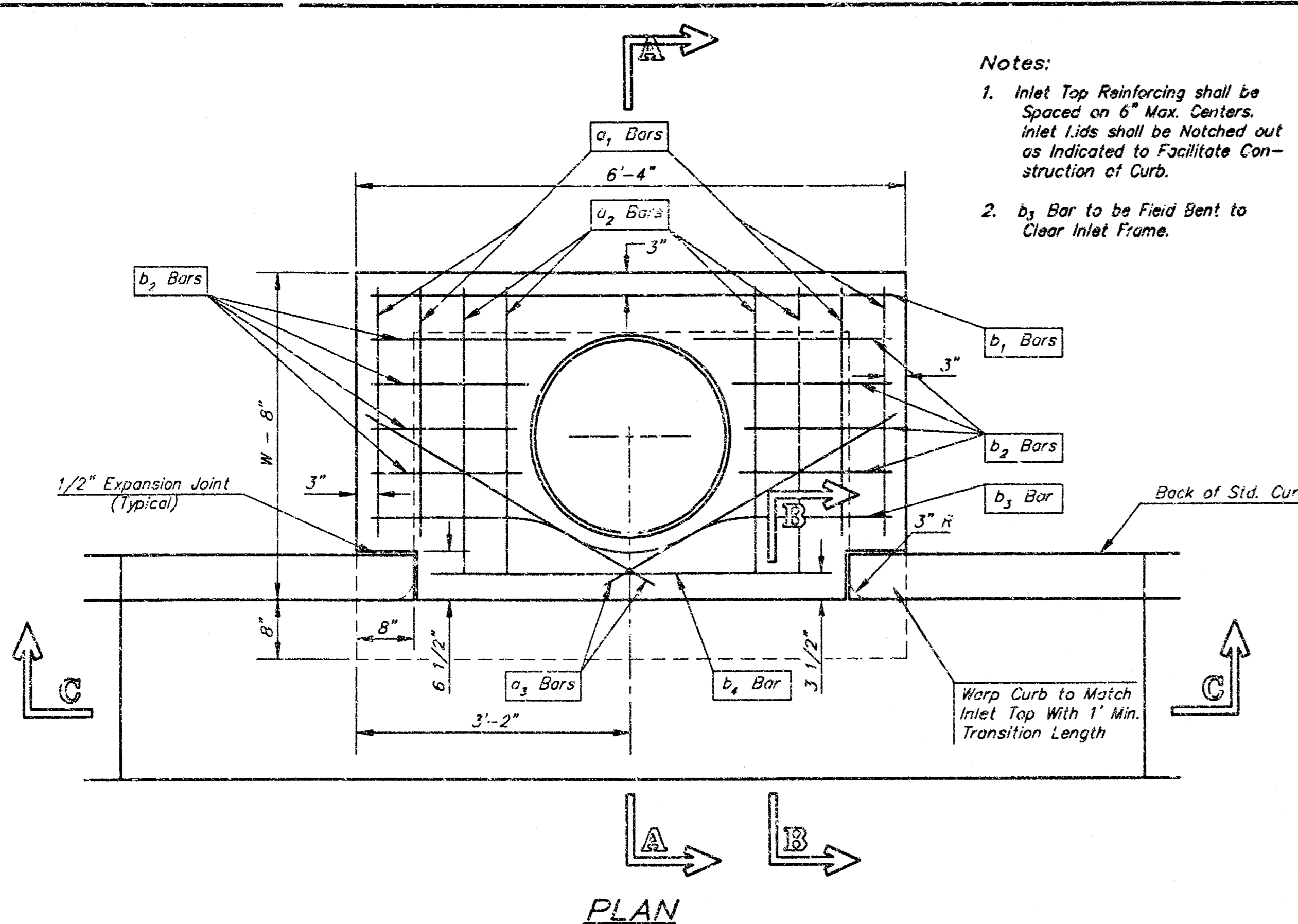
Storm Sewer To Serve
One Kellogg Place 2nd Addition
Block A, Part of Lots 6 & 7

BAUGHMAN COMPANY, P.A.
ENGINEERING, SURVEYING, & CONSULTING
316-252-7271 • 316 ELLIS • WICHITA, KS

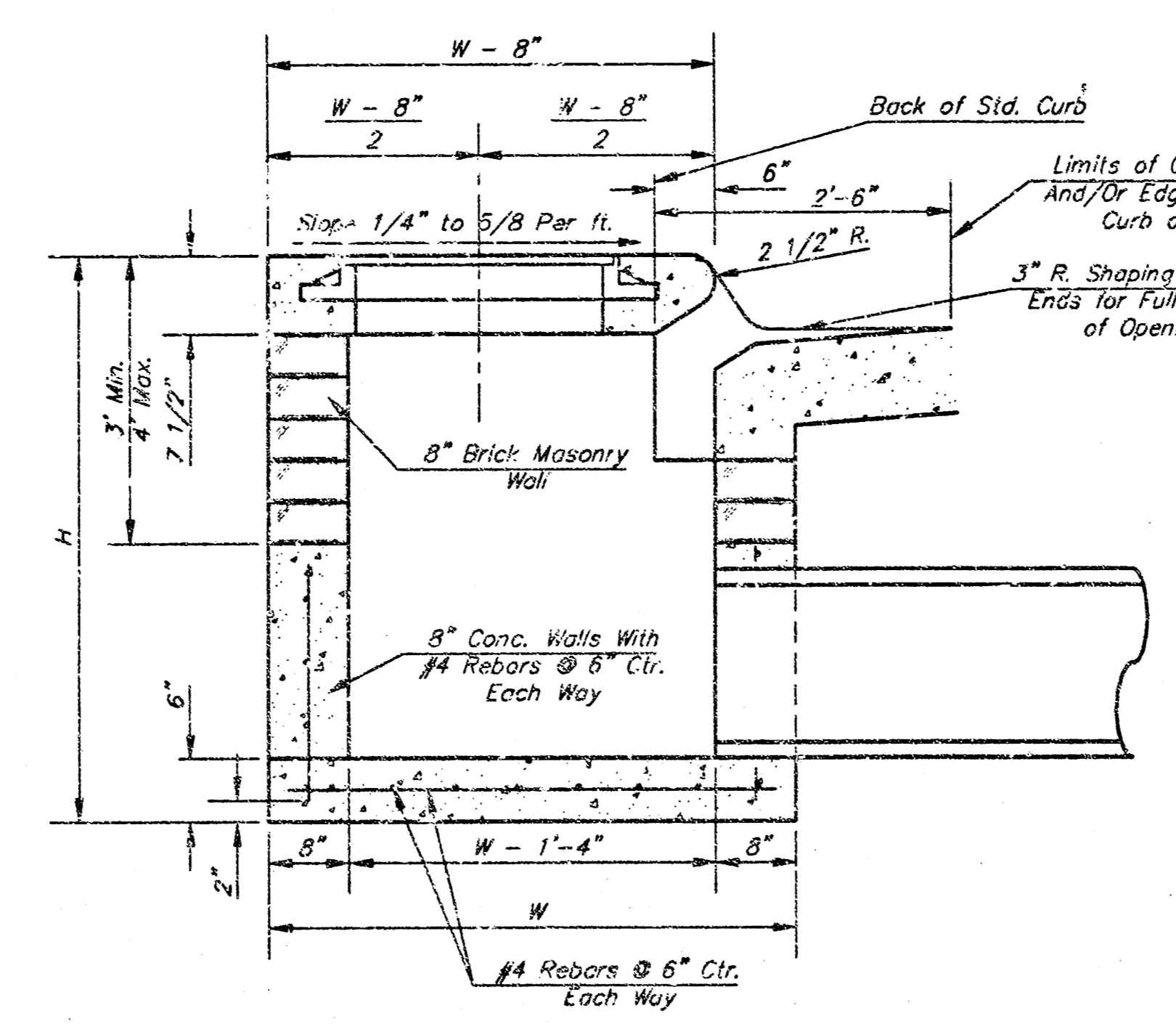
PROJECT NUMBER
1244 PPS (607861)

DESIGN LU	DRAWN LU	APPROVED	DATE 05/02	SHEET 1
				4

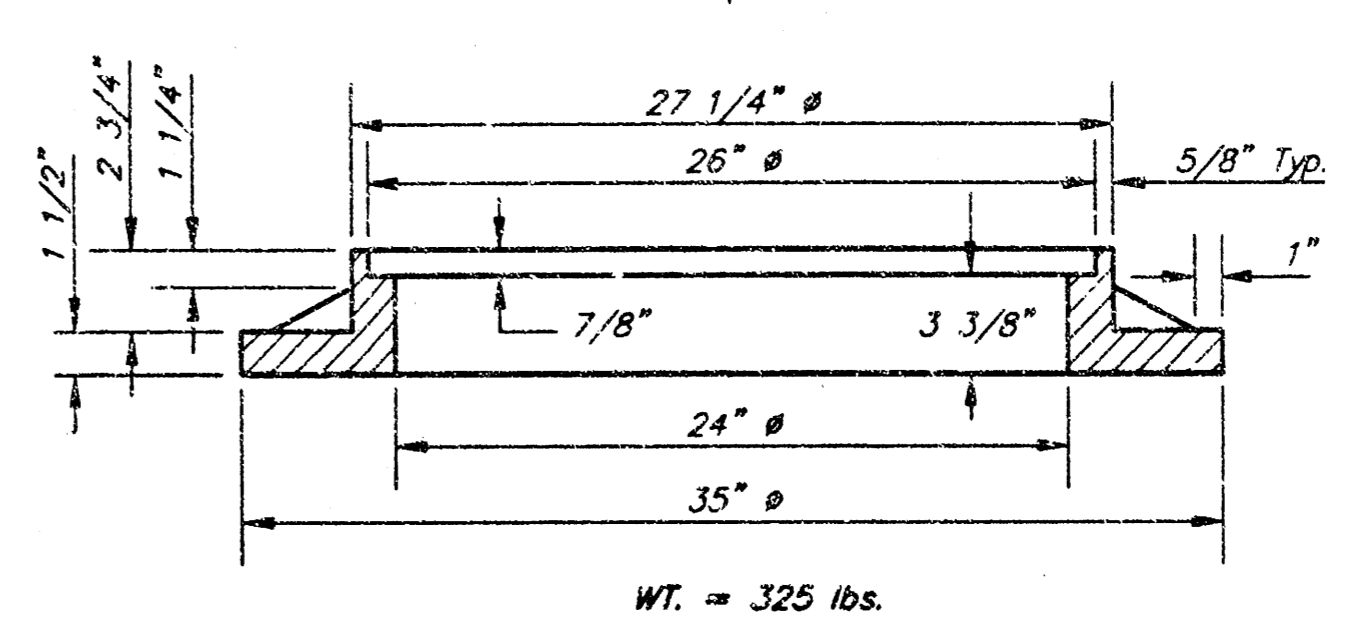
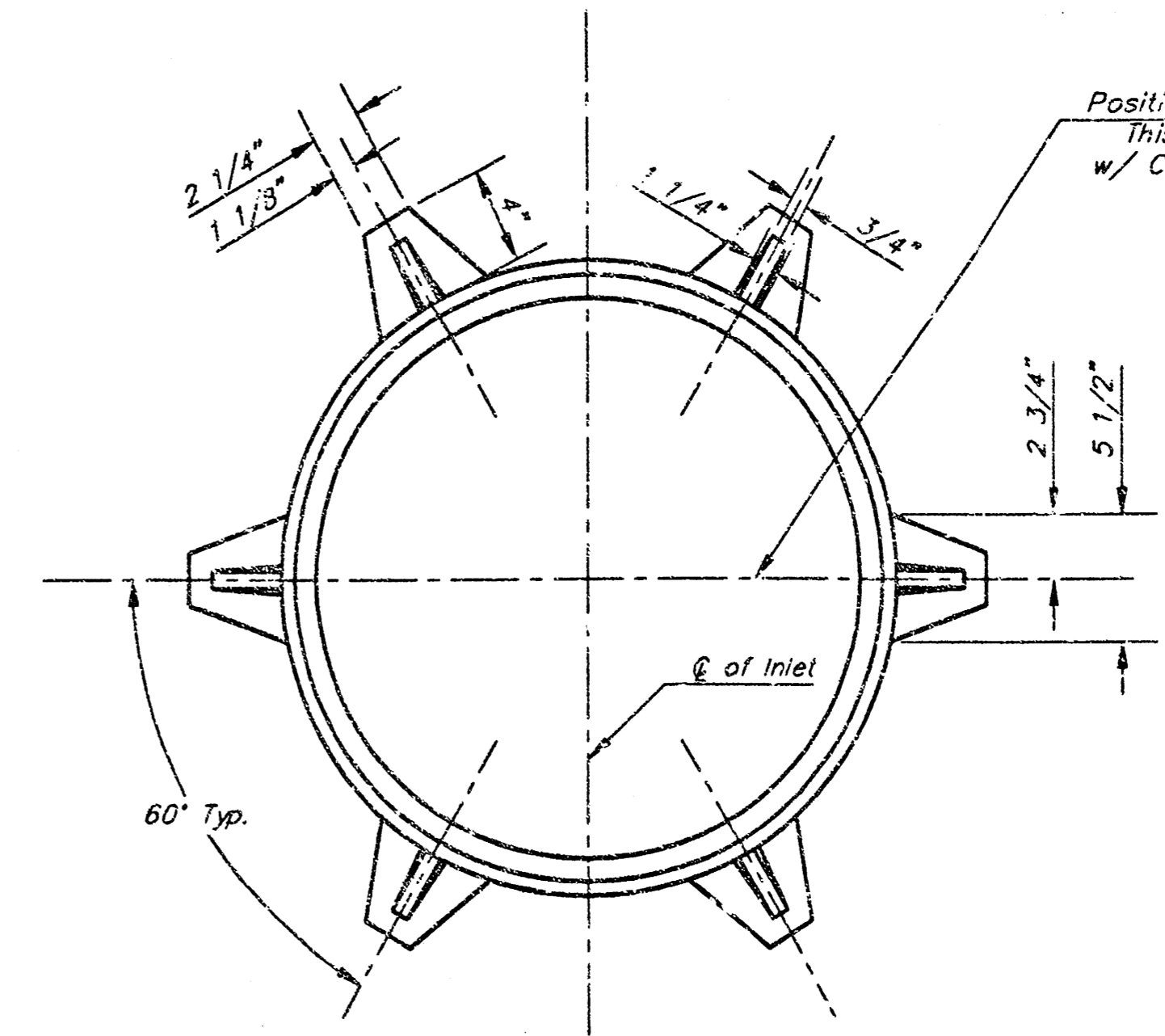
18 08 31 13



Notes:
 1. Inlet Top Reinforcing shall be Spaced on 6" Max. Centers. Inlet Ends shall be Notched out as Indicated to Facilitate Construction of Curb.
 2. b₁ Bar to be Field Bent to Clear Inlet Frame.

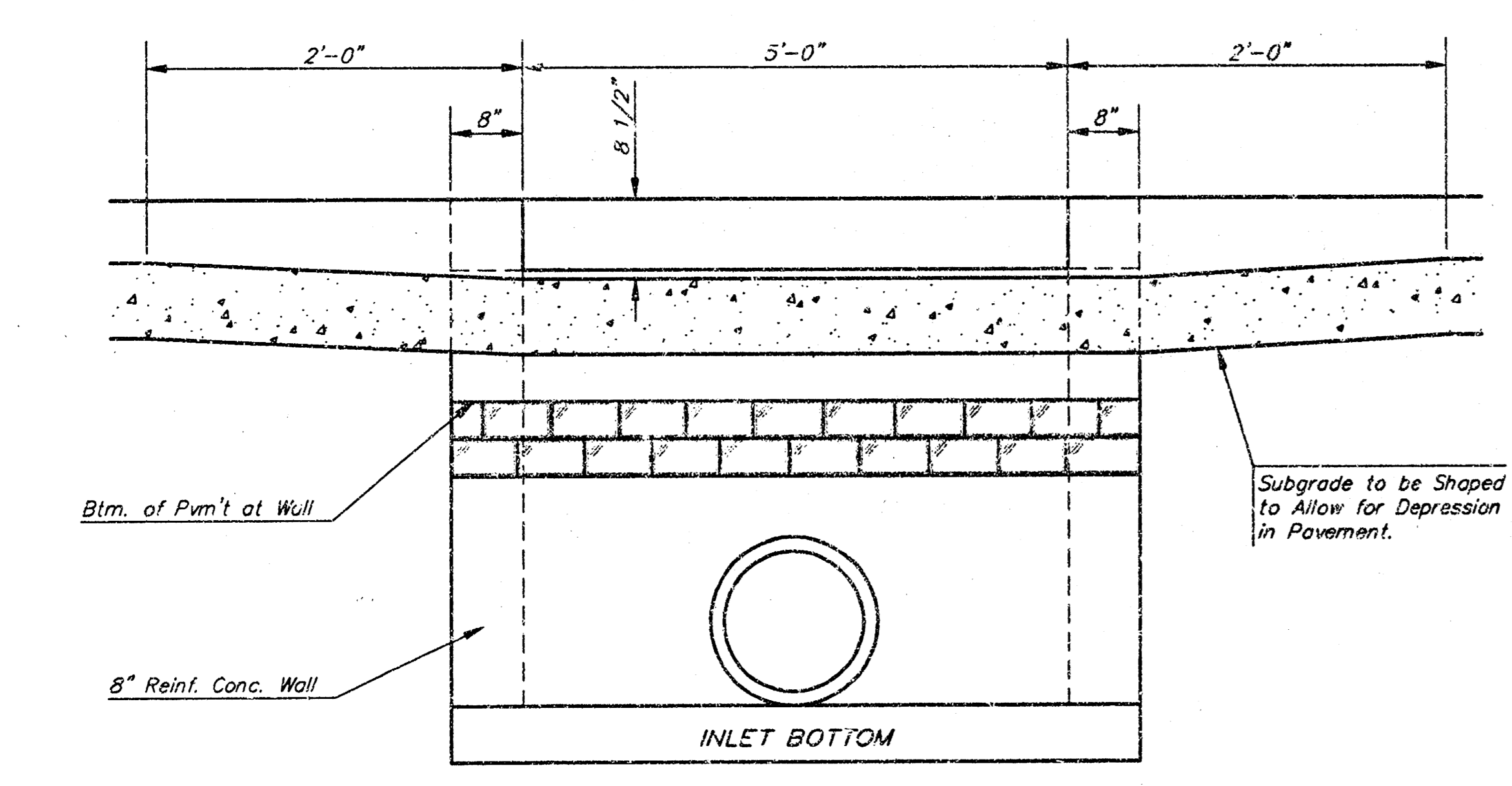


SECTION A-A

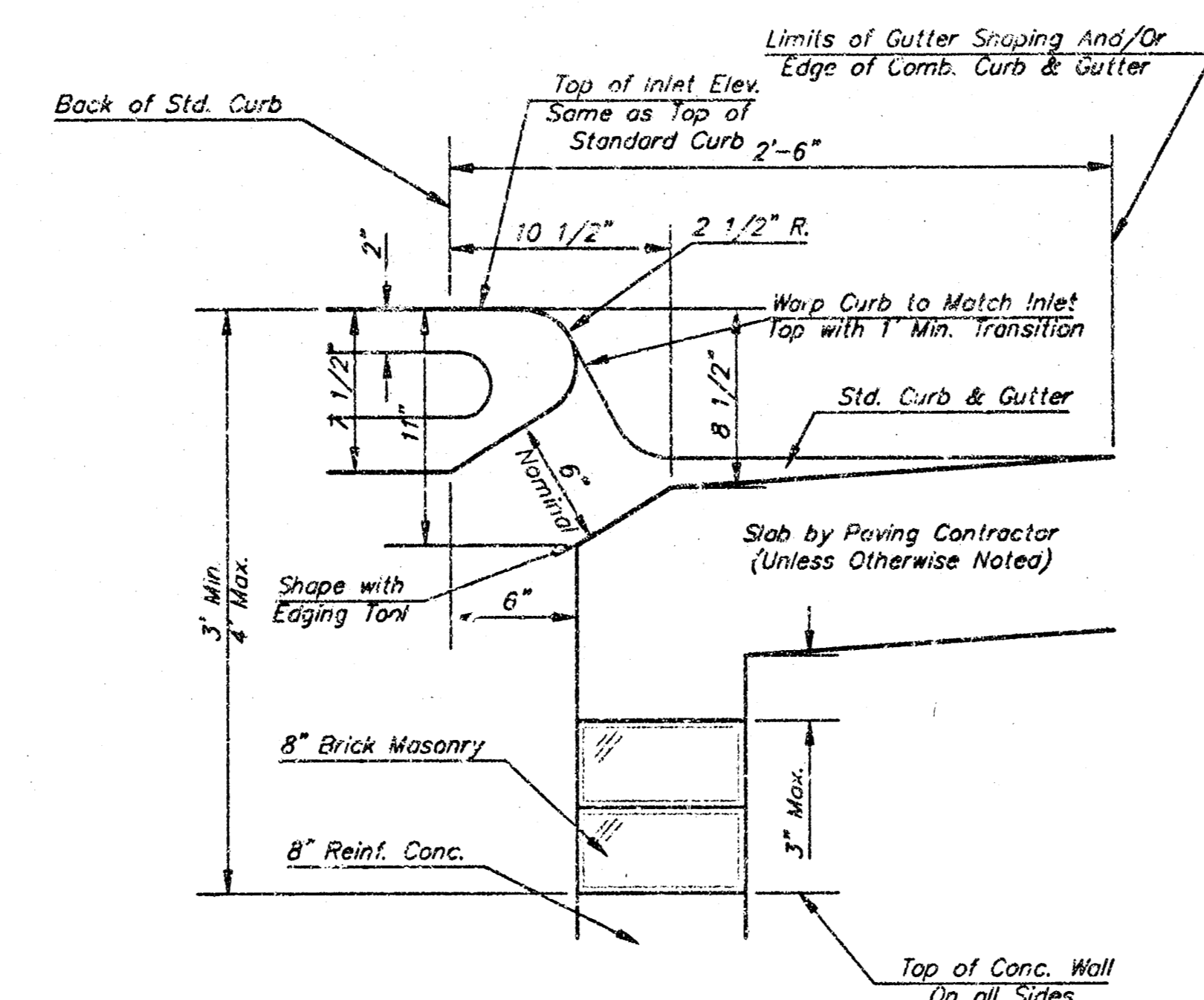


MANHOLE RING AND COVER

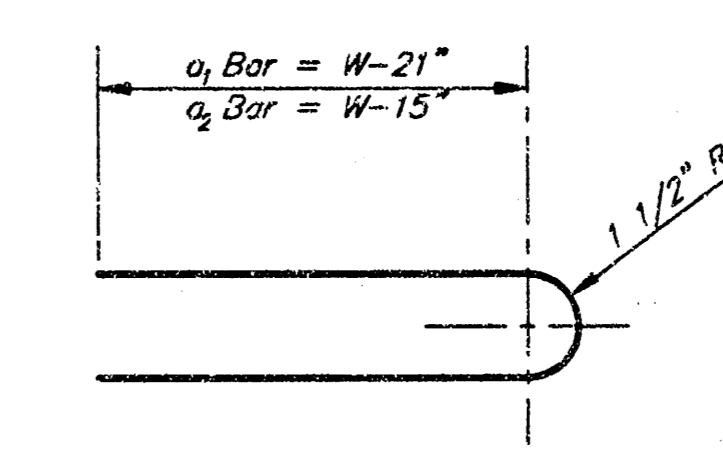
*See City of Wichita Standard Manhole Ring and Cover Detail Sheet for Cover Details to Be Used With Inlet Frame.



SECTION C-C



SECTION B-B



BENDING DIAGRAM

STEEL SCHEDULE

BAR	a ₁			a ₂				b ₁				b ₂	b ₃	b ₄	WT. LBS.
	NUMBER	SIZE	LENGTH	NUMBER	SIZE	LENGTH	NUMBER	SIZE	LENGTH	NUMBER	SIZE				
4	#4	5'-7"	6'-7"	4	#4	4'-0"	6'-1"	1	#4	1'-9"	6'-2"	4'-8"	60±		
4	#4	7'-7"	8'-7"	5	#4	5'-0"	6'-1"	1	#4	1'-9"	6'-2"	4'-8"	81±		
2	#4	9'-7"	10'-7"	6	#4	6'-0"	6'-1"	1	#4	1'-9"	6'-2"	4'-8"	101±		
1	#4	11'-7"	12'-7"	7	#4	7'-0"	6'-1"	1	#4	1'-9"	6'-2"	4'-8"	121±		
1	#4	13'-7"	14'-7"	8	#4	8'-0"	6'-1"	1	#4	1'-9"	6'-2"	4'-8"	141±		

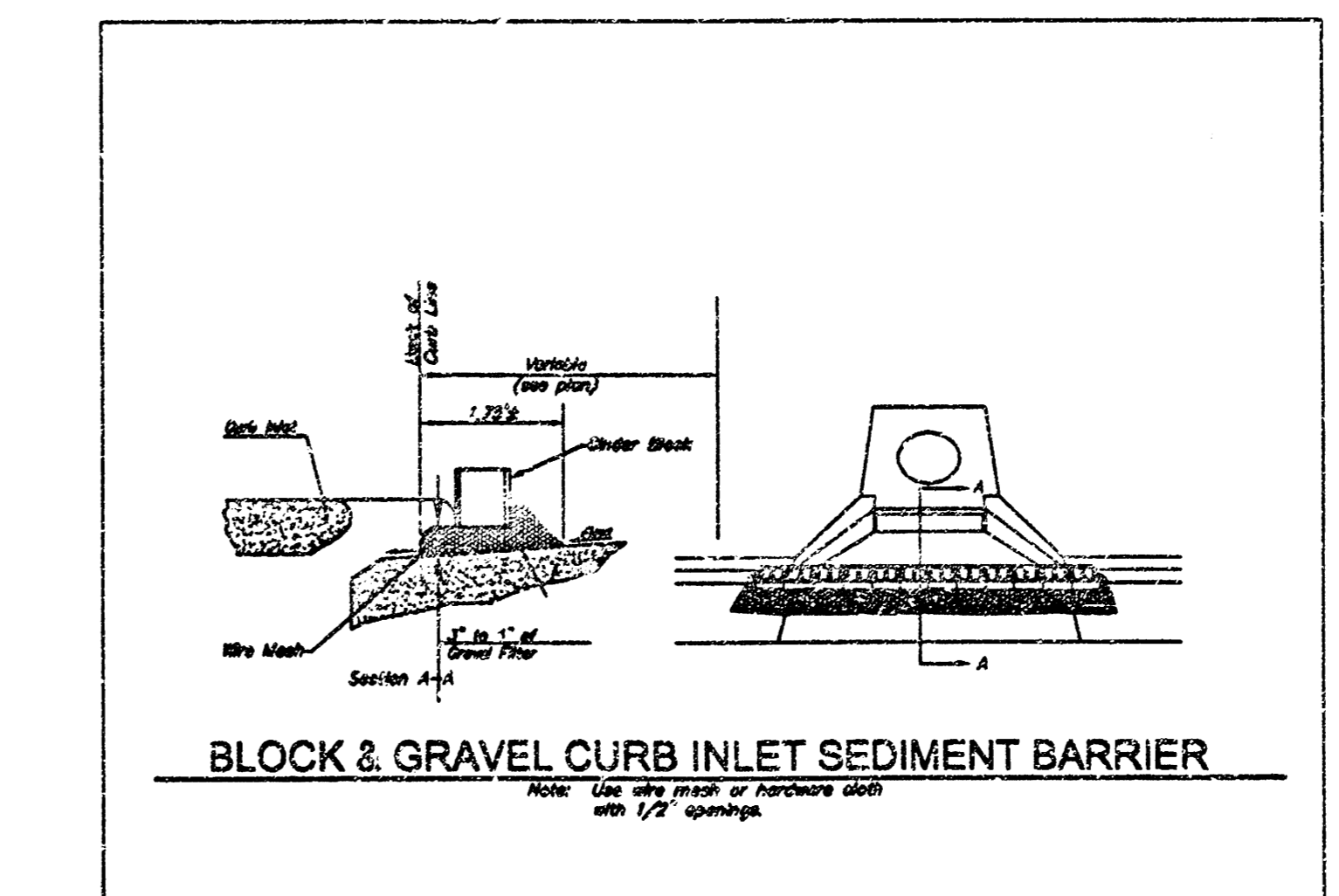
Note: a₁ Bars to be Placed Approx. 2" Below Top of Inlet Cover.

STANDARD CURB INLET PRECAST TOPS

W	PRE-CAST TOP SIZE	PIPE SIZE	CU. YD. CONC.
4'-4"	3'-8" 6'-4" 7 1/2"	21" & SMALLER	0.38±
5'-4"	4'-8" 6'-4" 7 1/2"	24" & 30"	0.51±
6'-4"	5'-8" 6'-4" 7 1/2"	36" & 42"	0.64±
7'-4"	6'-8" 6'-4" 7 1/2"	48" & 54"	0.77±
8'-4"	7'-8" 6'-4" 7 1/2"	60" & 66"	0.90±

GENERAL NOTES

- Concrete tops to be installed on thin mortar cushion to insure full support along brick walls. Concrete tops may be cast in place or precast. Concrete used for inlet construction shall be concrete pavement mix.
- Contractor shall have the option of constructing 8" brick masonry walls between the concrete inlet base and top on this inlet when W=6'-4" and H=7'-0" or less.
- Inlet invert shall be shaped with 8 sack sand mix concrete to create flow channels and to increase hydraulic efficiency such that the inlet will be self cleaning between all inlet and/or outlet pipes.
- The ends of all pipes installed in inlets shall be cut off flush with the inside face of the inlet wall.

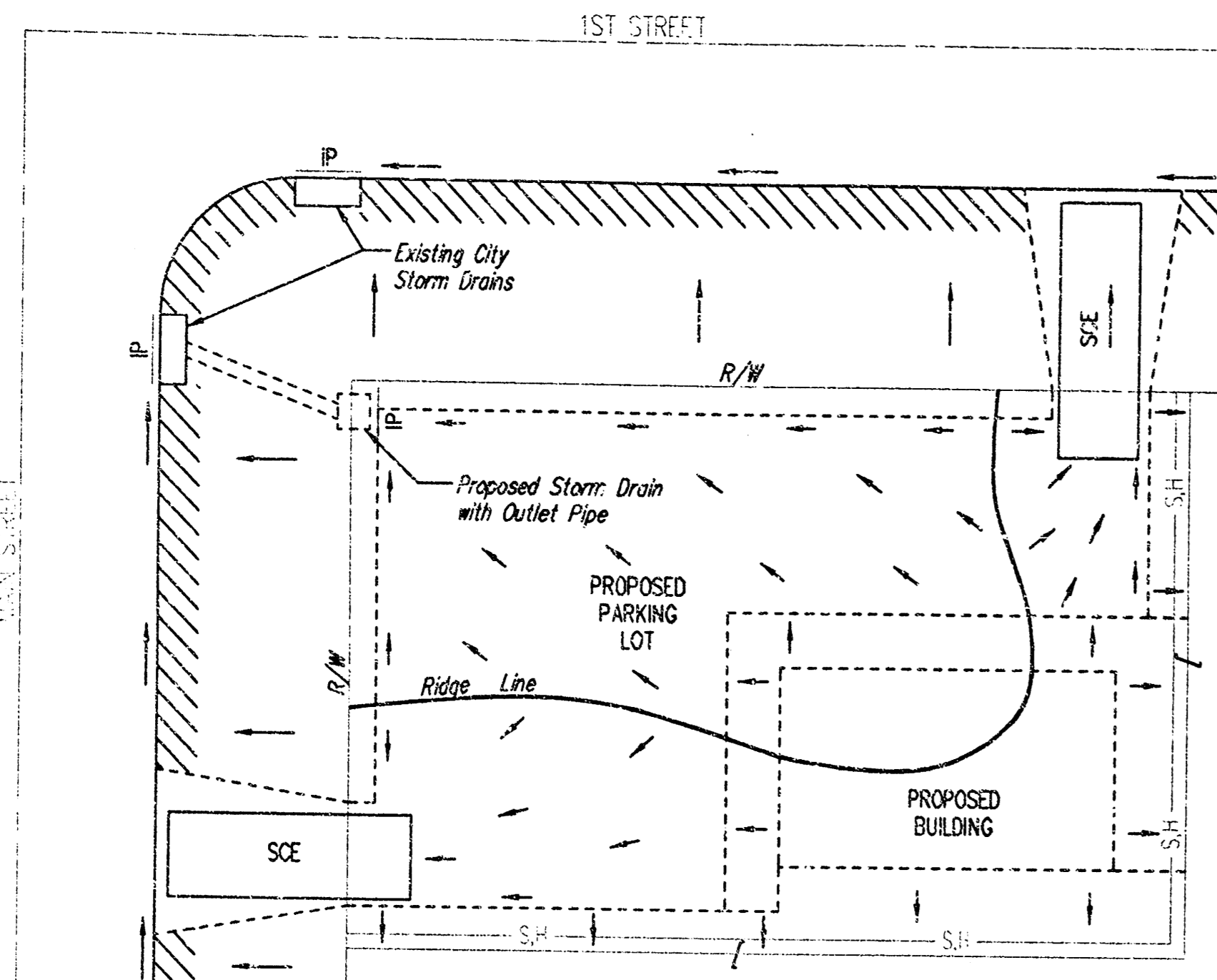


CITY OF WICHITA, KANSAS
TYPE 1 CURB INLET
 INLET OPENING = 6" X 6'-0"

BAUGHMAN COMPANY P.A.
 ENGINEERING, SURVEYING, & P.L.L.C.
 316-262-7271 • N.S. ELLIS • WICHITA, KANSAS

PROJECT NUMBER
1244 PPS (607861)

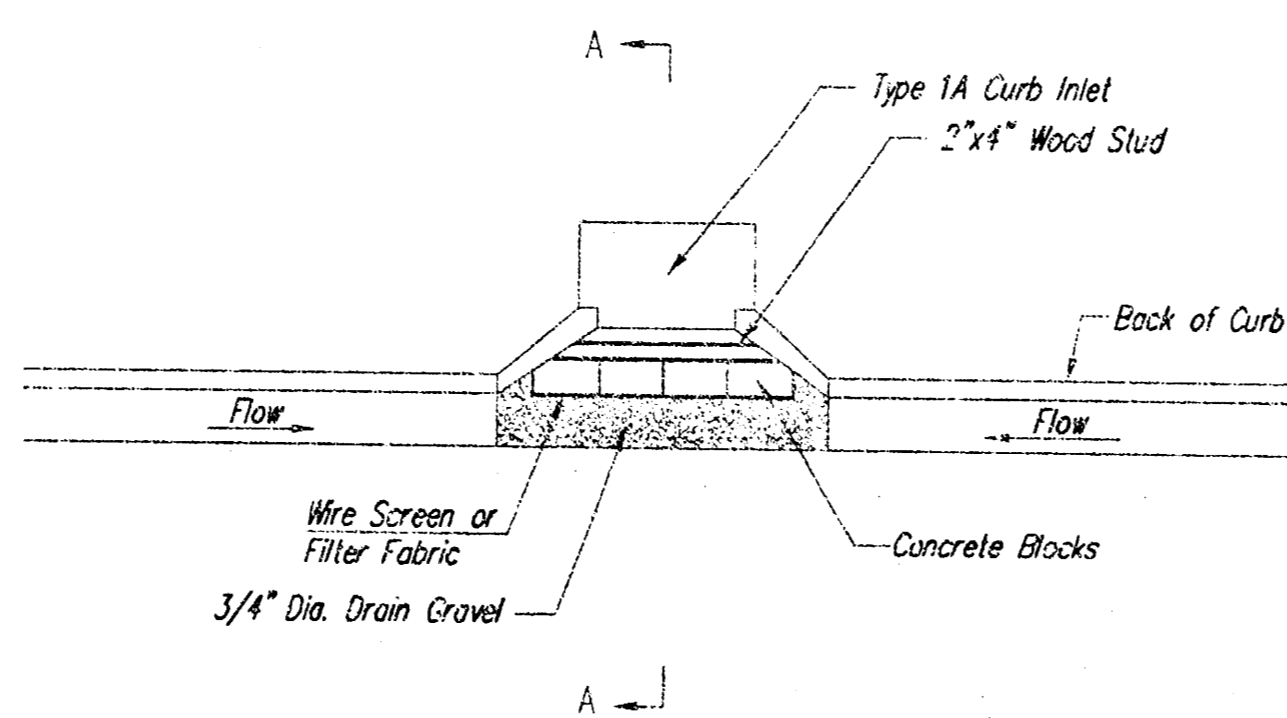
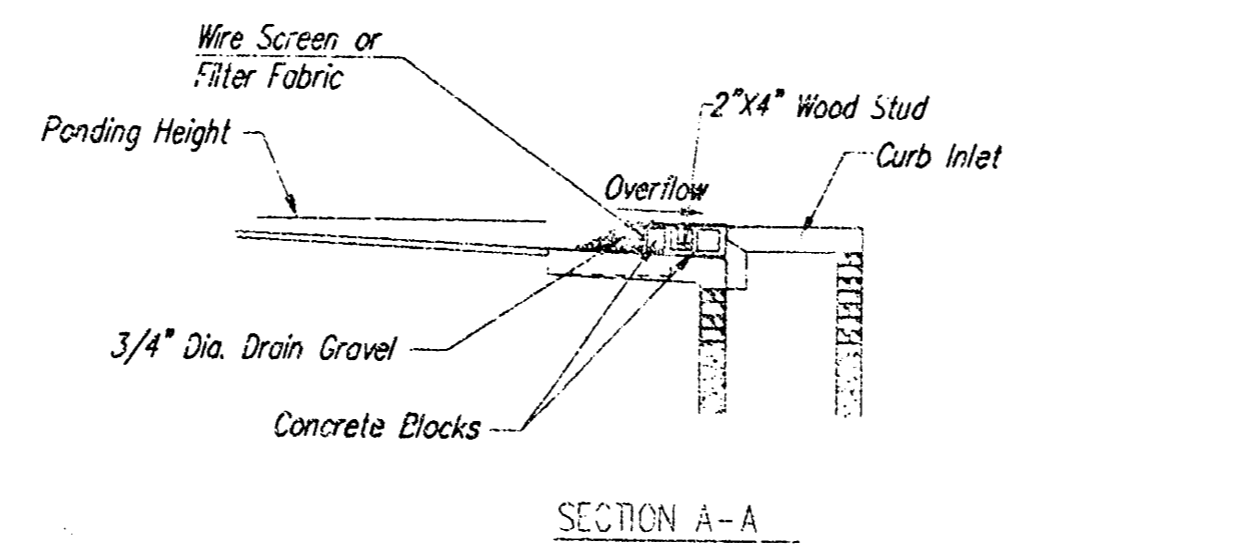
DESIGN	DRAWN	APPROVED	DATE	SCALE	SHEET
C.O.W.	STAFF		05/02		2 4



- LEGEND**
- Flow Direction
 - IP Inlet Protection - to be provided at all inlets subject to all laden runoff.
 - Silt Fence or Hay Bale Barrier - to be installed along property lines where runoff from construction site can run onto other properties.
 - SCE Stabilized Construction Entrance - to be used at all locations where vehicles or equipment enter or exit property.
 - Back of Curb Protection - to be installed whenever curb is backfilled to less than 3 inches from top and disturbed earth exists adjacent thereto. (See City Standard Details.)

General Notes

1. This standard detail sheet is a part of your building permit. The BMP's shown on this sheet are considered minimum standards. Whenever sediment enters the streets, storm sewers, ditches, or ponds, contractor will install additional BMP's, as needed, to correct the problem.
2. Follow these general principals on all commercial building sides.
3. The soil erosion BMP's shown hereon must be in place at all times during construction until such time as the site is re-established with paving or grass.
4. Failure to install, protect, and maintain BMP's are violations of Section 16.32 of the City Code and will subject the contractor to the penalties provided therein. Included with your permit is an orange "Notice" sign that must be posted on-site in a conspicuous place at all times during construction. This sign is provided to assist you in the maintenance of BMP's.
5. Back of Curb Protection: Can include hay bale, silt fence, or Curbex barrier, as shown on City BMP standard details. This BMP must remain in place until the area between the curb and right-of-way line has been permanently stabilized.
6. The General Contractor is responsible for the installation and maintenance of all BMP's.
7. Should the site abut a lake, BMP's will be installed to prevent sediment from entering the lake.
8. Any mud inadvertently tracked onto any street will be cleaned up by the general contractor at the end of each day's work.



CURB INLET GRAVEL FILTERS
(INLET PROTECTION-RESIDENTIAL STREETS ONLY)

NOTE: Other types of curb inlet protection may be approved by the city so long as equal protection is provided.

A gravel inlet filter shall be installed at sump locations on residential streets. This type of protection is not to be used on arterial or collector streets at any time that it would pose an undue traffic hazard.

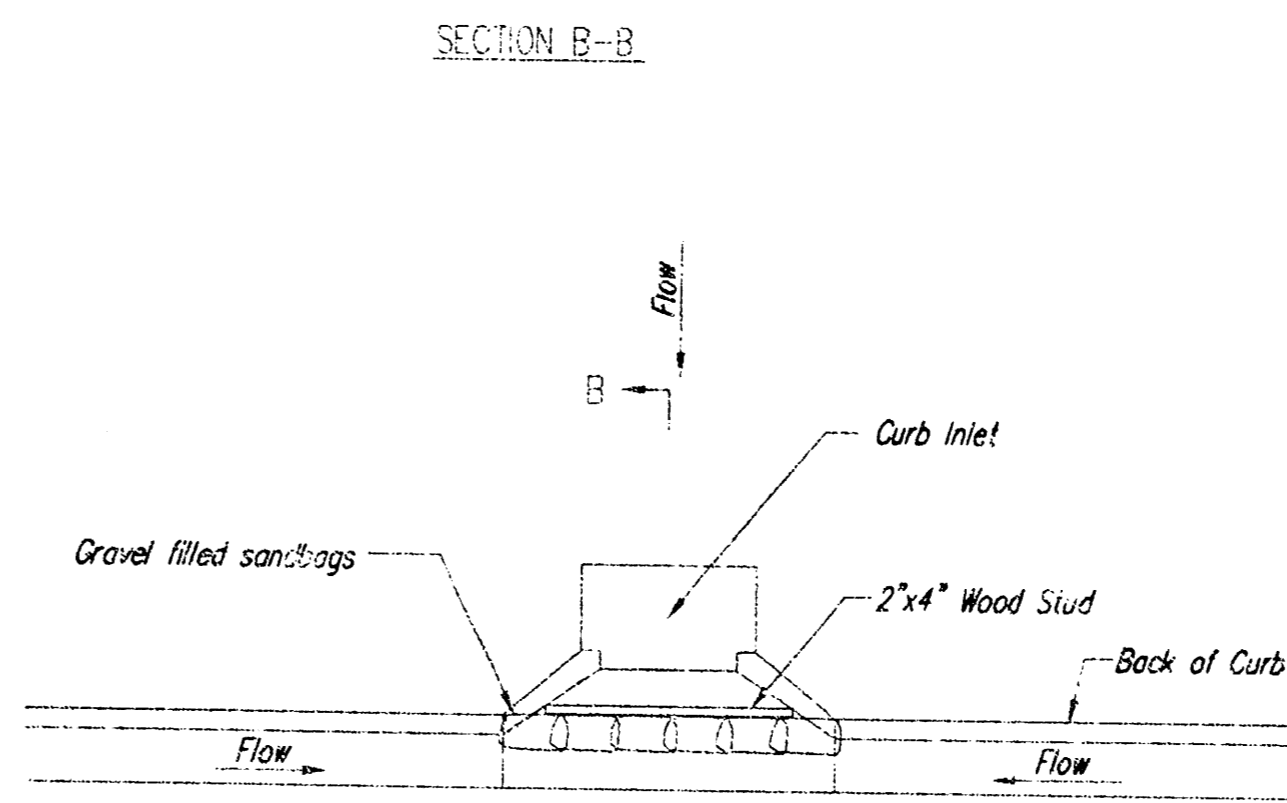
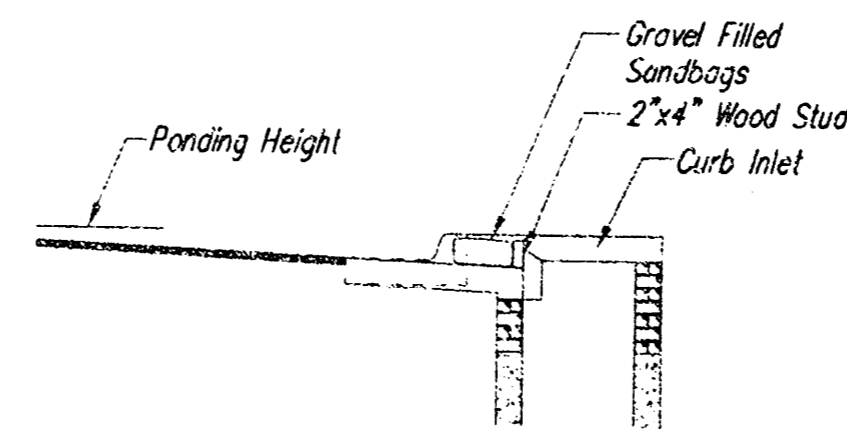
Instructions for Installing:

- STEP 1: Place concrete blocks around the inlet as shown on drawing; insert 2x4 board as shown.
- STEP 2: Wrap 1/2" mesh wire screen around the concrete blocks.
- STEP 3: Place 1" to 1-1/2" diameter rock around the blocks and wire screen. Be sure the rock extends down from the top of the concrete block.
- STEP 4: To prevent damage to vehicles, signs warning drivers about the structures may be necessary. An alternative installation is the use of gravel bags supported by a 2"x4" board to prevent collapsing.

Use of rock with diameters smaller than 1" in the bag may result in clogging of pores and reduce the amount of water flowing into an inlet.

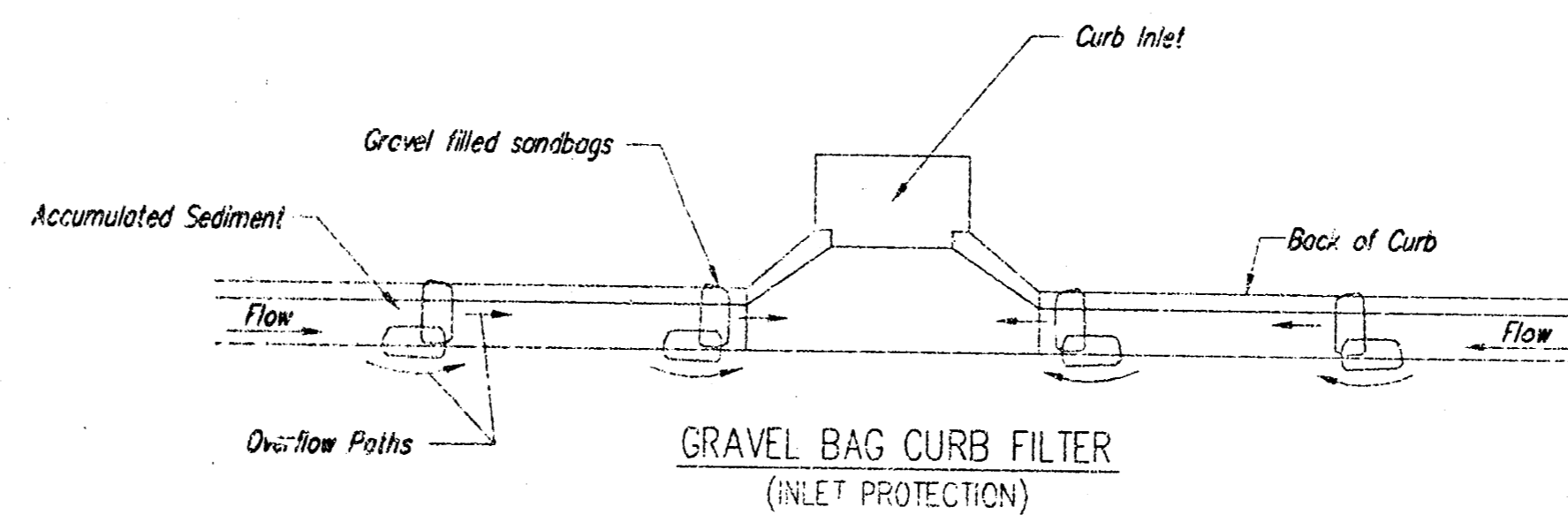
Maintenance:

All curb inlet gravel filters shall be inspected and repaired after each runoff event. Sediment deposits are to be removed once material is within 2 cm (3/8 inches) of the top of any block. Periodically, the gravel shall be raked to increase infiltration and filtering of runoff waters. Accumulated sediment is to be removed immediately from roads and streets.



CURB INLET SANDBAG FILTERS
(INLET PROTECTION)

NOTE: Other types of curb inlet protection may be approved by the City so long as equal protection is provided.



NOTE: Place two or more sets of bags in a manner that results in minimum support. The flow line bag must be lower than top of curb.

CURB SEDIMENT TRAPS

When inlets are located on streets having a grade (i.e., sump conditions do not exist), installing gravel (or sand) bags in the gutter flow line to create small sediment traps can be considered. Gravel bags are recommended over sand bags to allow for drainage.

If the spacing between bags becomes too large, little sediment may be trapped. Spacing of bags should be completed using the table or graph that illustrates placement distances based upon street slope. When installed in the gutter, bag tops must be lower than the sidewalk.

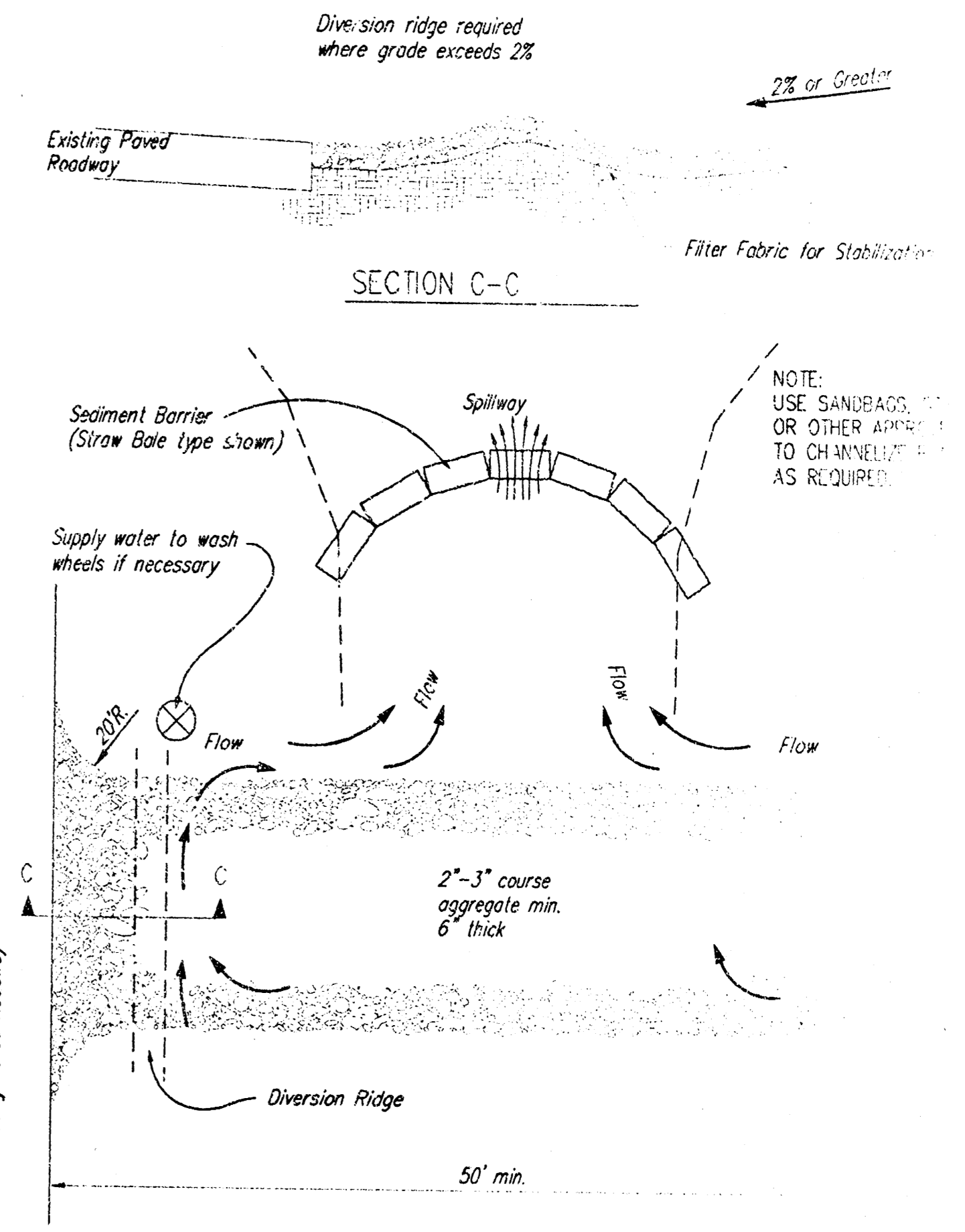
Spacing:

Gravel bags are to be placed according to street grades using the following table or graph that appears below.

GRADE (%)	SPACING (FEET)
0.5	75
1.0	45
2.0	18
3.0	12
4.0	9
5.0	6

Maintenance:

Collected sediment shall be removed after every runoff event. Bags that are destroyed by vehicular traffic or through natural deterioration are to be immediately replaced.



STABILIZED CONSTRUCTION ENTRANCE

NOTES:

1. THE ENTRANCE SHALL BE MAINTAINED IN A CONDITION THAT WILL PREVENT TRACKING OR FLOWING OF SEDIMENT ONTO PUBLIC RIGHTS-OF-WAY. THIS MAY REQUIRE TOP DRESSING, REPAIR AND/OR CLEANOUT OF ANY MEASURES USED TO TRAP SEDIMENT.
2. WHEN NECESSARY, WHEELS SHALL BE CLEANED PRIOR TO ENTRANCE ONTO PUBLIC RIGHTS-OF-WAY.
3. WHEN WASHING IS REQUIRED, IT SHALL BE DONE ON AN AREA STABILIZED WITH CRUSHED STONE THAT DRAINS INTO AN APPROVED SEDIMENT TRAP OR SEDIMENT BASIN, AS SHOWN ABOVE.
4. DRIVE ENTRANCES ONTO RESIDENTIAL LOTS WILL NOT BE REQUIRED TO HAVE THE SEDIMENT BARRIER SHOWN, BUT WHEEL WASHING MAY BE REQUIRED IF STABILIZED ENTRANCE IS NOT SUFFICIENT TO KEEP MUD FROM BEING TRACKED ONTO ADJACENT STREET. ENTRANCE SHALL EXTEND FROM BACK OF CURB TO DWELLING.



SOI
BMP

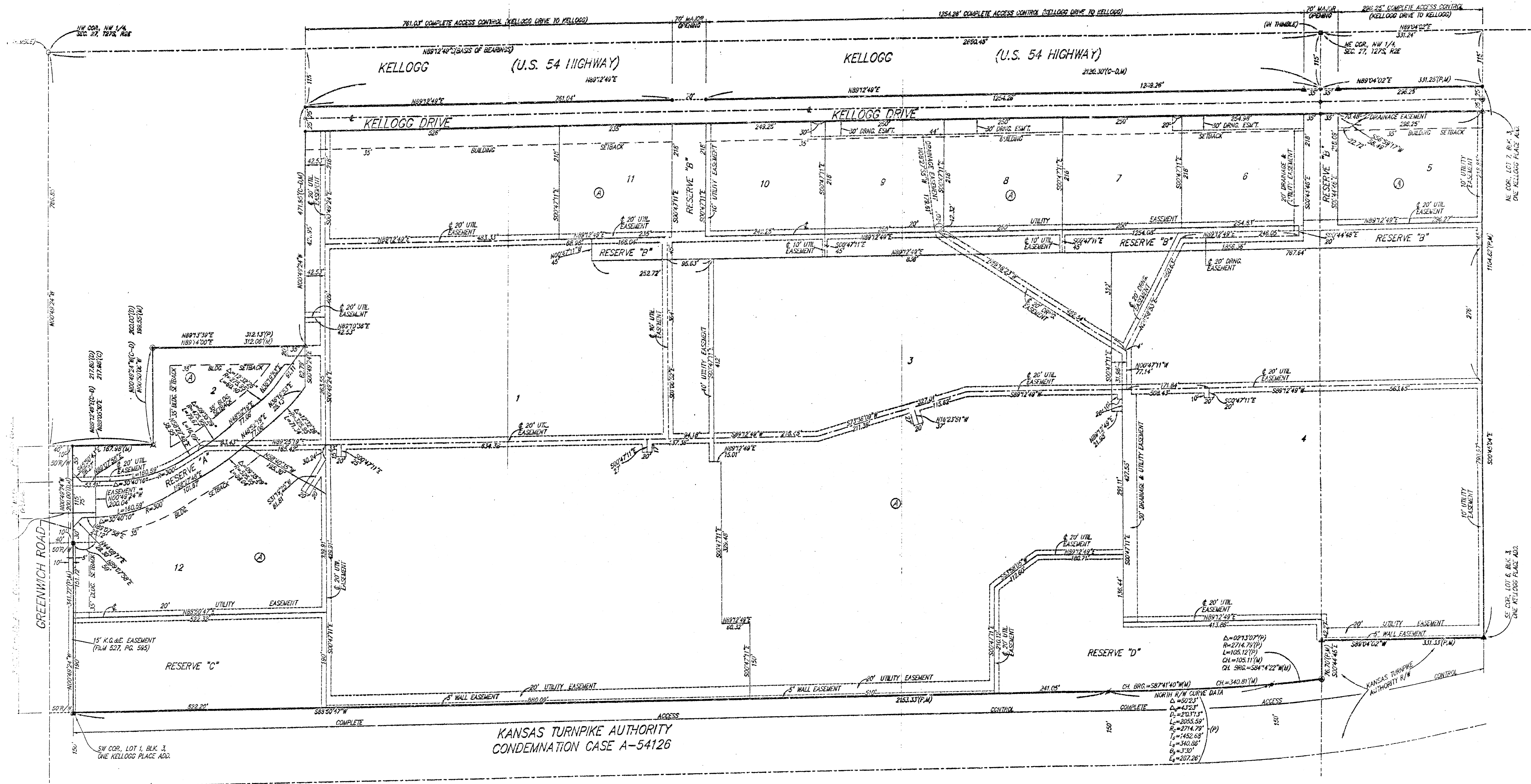
CHRISTOPHER M. COE
STORM WATER

1244 PPS (607861)

05/02

SHEET

ONE KELLOGG PLACE 2ND ADDITION WICHITA, SEDGWICK COUNTY, KANSAS



- ⊕ = #4 REBAR W/ "BAUGHMAN" CAP (SET)
- ⊙ = #4 REBAR (FOUND)
- = #4 REBAR (FOUND)
- ⊖ = #6 REBAR (FOUND)
- ⊗ = #6 REBAR (FOUND)
- ⊘ = #6 REBAR W/ "CORDEX" CAP (FOUND)
- ⊙ = #4 REBAR W/ "BAUGHMAN" CAP (FOUND)
- ⊙ = #4 REBAR (FOUND)

- (M) = MEASURED
- (P) = PLATTED
- (D) = DESSIGNED
- (C) = CALCULATED
- (C-D) = CALCULATED PER RECORDED MAP

NOTE: A DRAINAGE PLAN HAS BEEN DEVELOPED FOR THIS SUBDIVISION AND IS ON FILE WITH THE CITY OF WICHITA, KANSAS. DRAINAGE INLET SHALL REMAIN AS DEPICTED OR AS MODIFIED WITH THE APPROVAL OF THE CITY ENGINEER OF THE CITY OF WICHITA, KANSAS. NO OBSTRUCTIONS WHICH IMPIDE THE FLOW OF THIS DRAINAGE PLAN SHALL BE ALLOWED.

LOT	BLOCK	ELEVATION
1	A	1730
2	A	1720
3	A	1720
4	A	1680

BENCHMARK:
CITY OF WICHITA BENCHMARK - SE CORNER OF INTERSECTION OF GREENWICH AND KELLOGG
NW CORNER OF LIGHT POLE BASE
48.60' NWK. OF E. OF SS MANHOLE
48.70' S. OF E. OF TRAFFIC SIGNAL MANHOLE
IN KELLOGG MEDIAN
70.50' E. OF BACK OF E. CURB ON E. SIDE OF

