

PROJECT NO.
468-76-245-80880-000-000-001

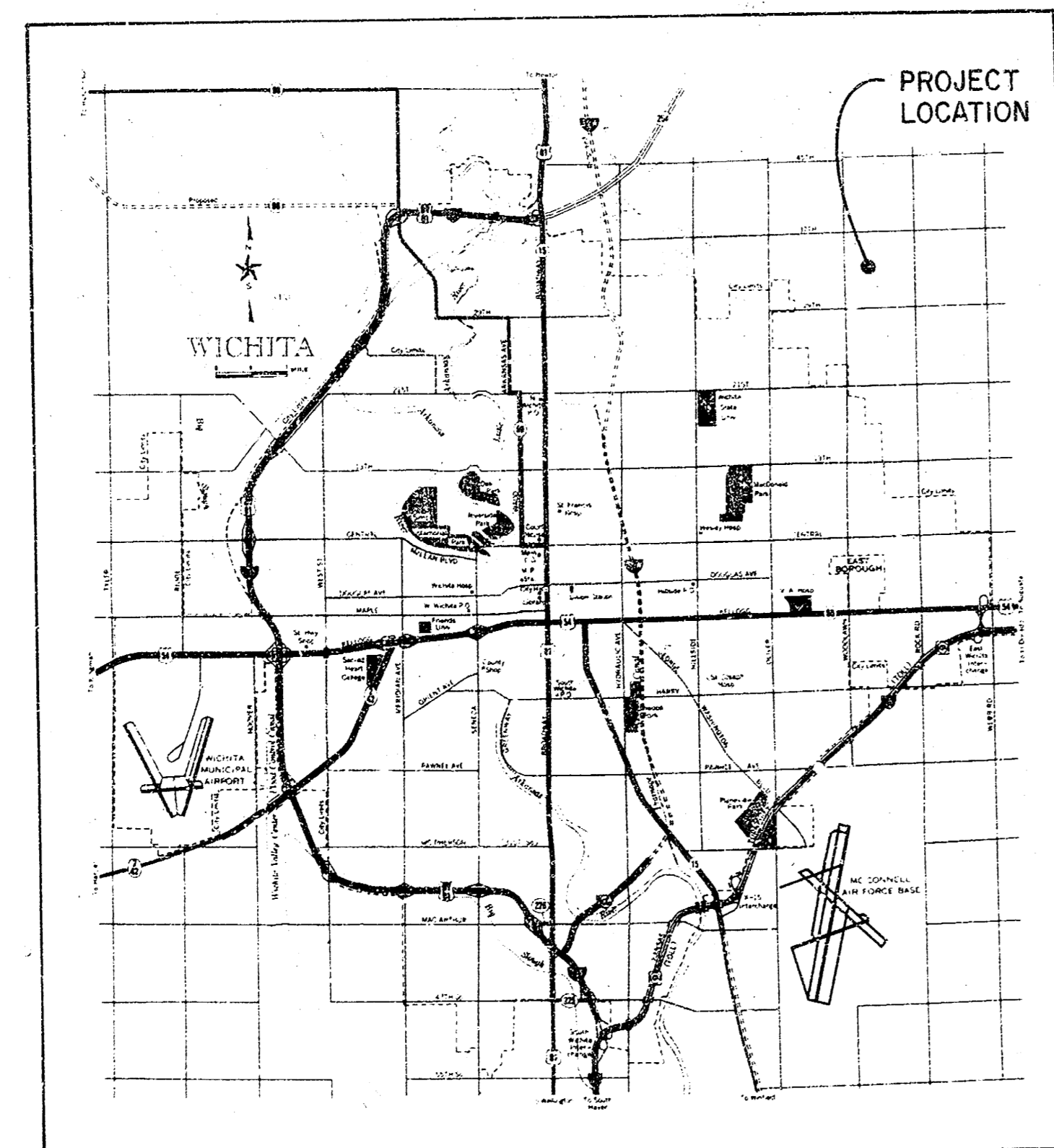
FANTASEA LAKE

FANTASEA ADDITION

IN

COMOTARA

WICHITA, KANSAS



LOCATION MAP

JUNE 1979

INDEX TO DRAWINGS

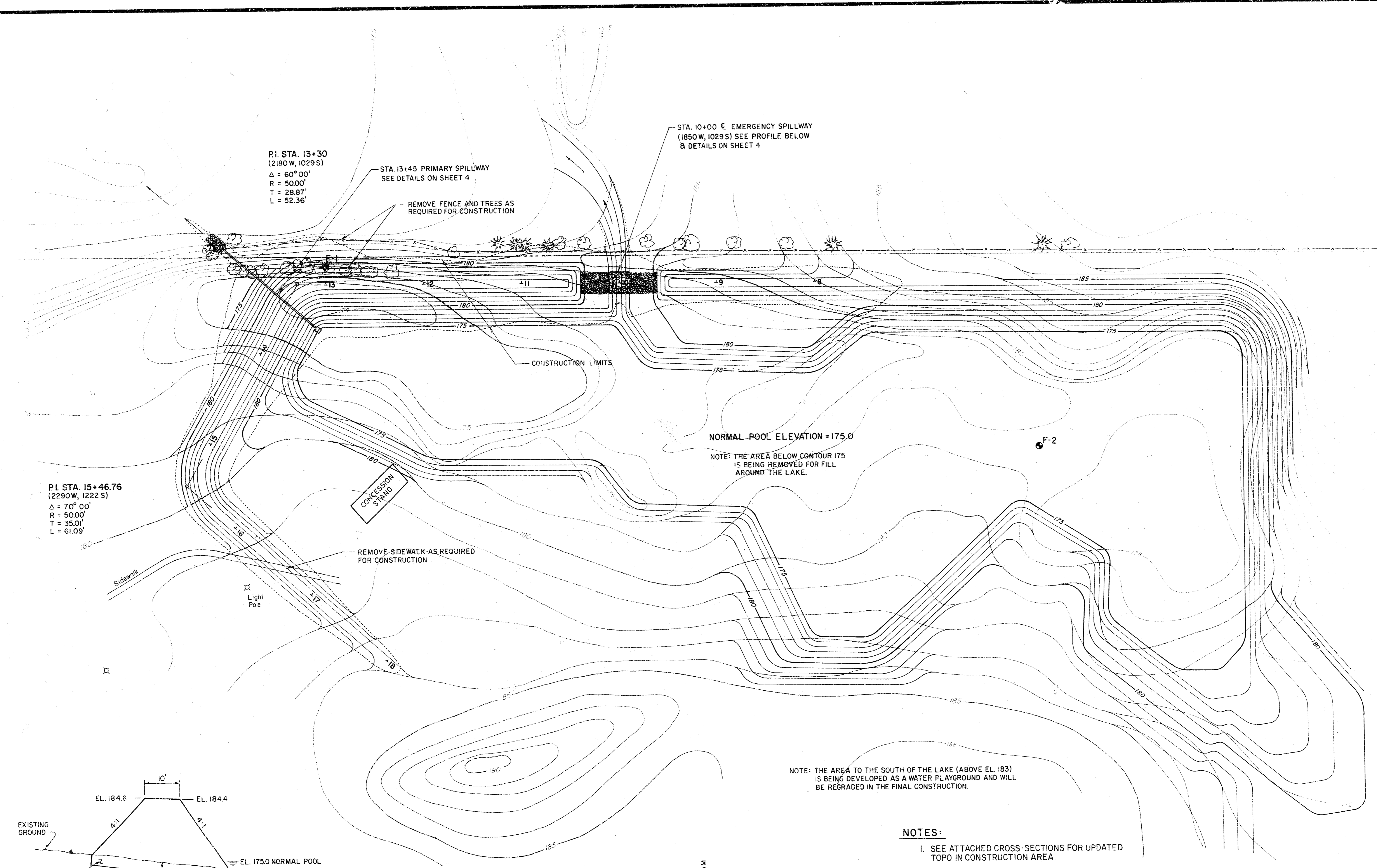
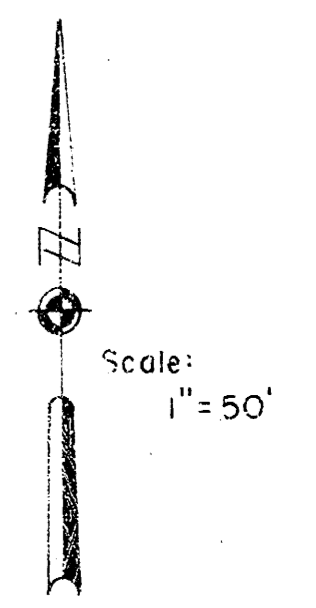
- 1 COVER SHEET
- 2 DRAINAGE AREA MAP
- 3 SITE PLAN
- 4 SECTIONS & DETAILS
- 5-7 CROSS SECTIONS

VAN DOREN-HAZARD-STALLINGS
ARCHITECTS-ENGINEERS-PLANNERS
WICHITA, KANSAS

Job No. 79-203

CAPACITY DATA			
ELEVATION	SURFACE AREA ACRES	STORAGE AC FT	CUMULATIVE STORAGE AC FT
175.0	4.07	3	0
176.0	4.41	5	4
177.0	4.75	5	9
178.0	5.15	6	14
179.0	5.62	6	19
180.0	6.21	7	25
181.0	7.21	8	32
182.0	8.18	9	39
183.0	10.19	12	46
184.0	14.20	12	60

(1000 W, 1000 S)



P.I. STA. 15+46.76
(2290 W, 1222 S)
Δ = 70° 00'
R = 50.00'
T = 35.01'
L = 61.09'

P.I. STA. 13+30
(2180 W, 1029 S)
Δ = 60° 00'
R = 50.00'
T = 28.87'
L = 52.36'

STA. 10+00 @ EMERGENCY SPILLWAY
(1850 W, 1029 S) SEE PROFILE BELOW
& DETAILS ON SHEET 4

STA. 13+45 PRIMARY SPILLWAY
SEE DETAILS ON SHEET 4

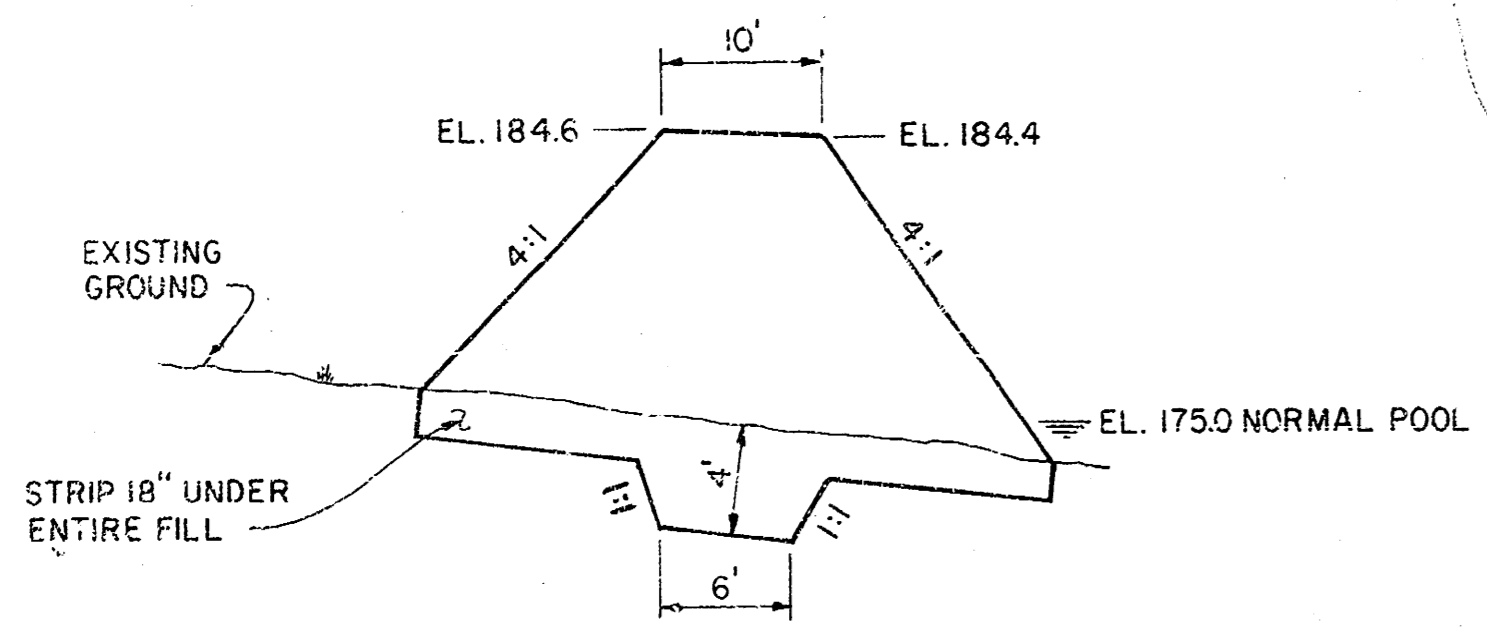
NORMAL POOL ELEVATION = 175.0

NOTE: THE AREA BELOW CONTOUR 175 IS BEING REMOVED FOR FILL AROUND THE LAKE.

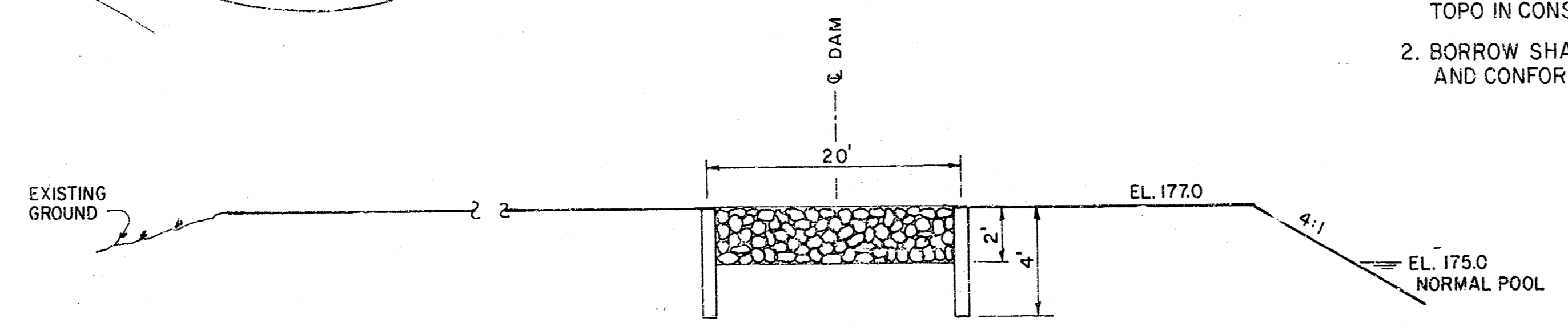
NOTE: THE AREA TO THE SOUTH OF THE LAKE (ABOVE EL. 183) IS BEING DEVELOPED AS A WATER PLAYGROUND AND WILL BE REGRADED IN THE FINAL CONSTRUCTION.

NOTES:

- SEE ATTACHED CROSS-SECTIONS FOR UPDATED TOPO IN CONSTRUCTION AREA.
- BORROW SHALL BE TAKEN FROM THE LAKE AREA AND CONFORM TO THE GENERAL OUTLINE SHOWN.



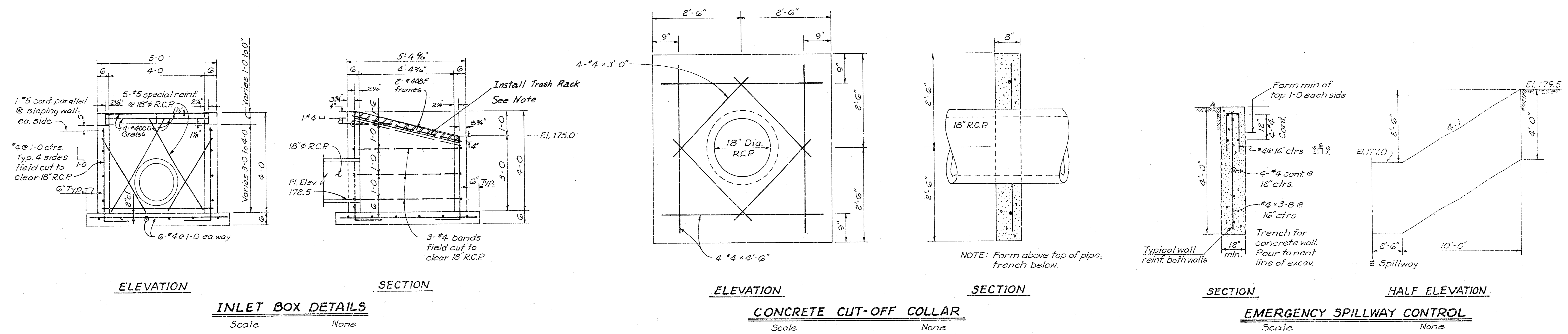
TYPICAL DAM CROSS SECTION



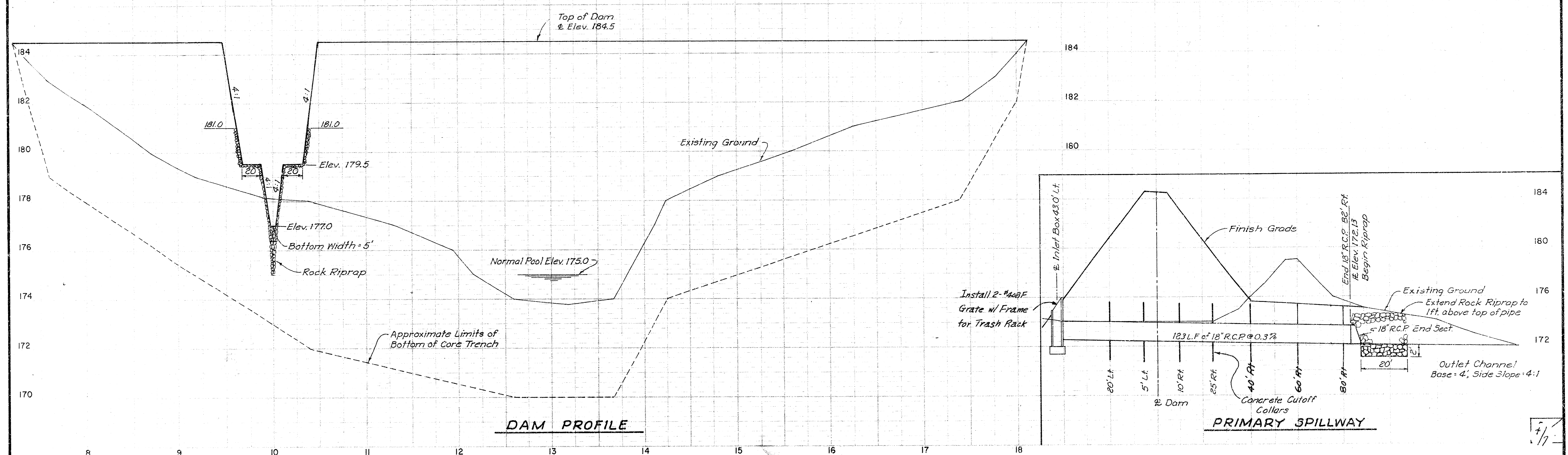
EMERGENCY SPILLWAY PROFILE

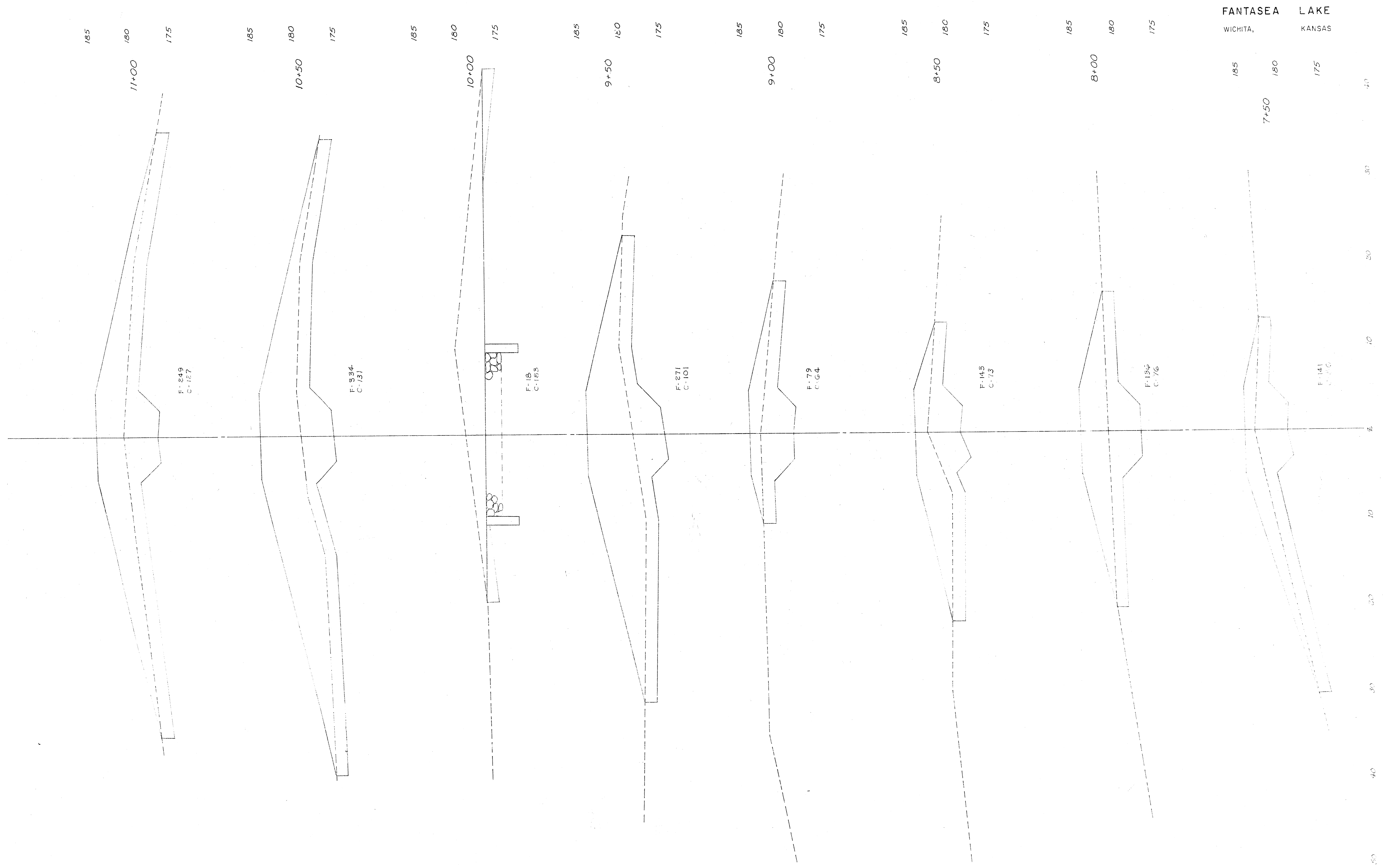
LEGEND
 SOIL BORING
 NEW CONTOURS

FANTASEA LAKE WICHITA, KANSAS		Design JWW
SITE PLAN		Drawn by MWB
Van Doren - Hazard - Stallings		Checked by JWW
Architects • Engineers • Planners Topeka Wichita Minneapolis		Date June - 79
Sheet 3/7		Job no. 79-203

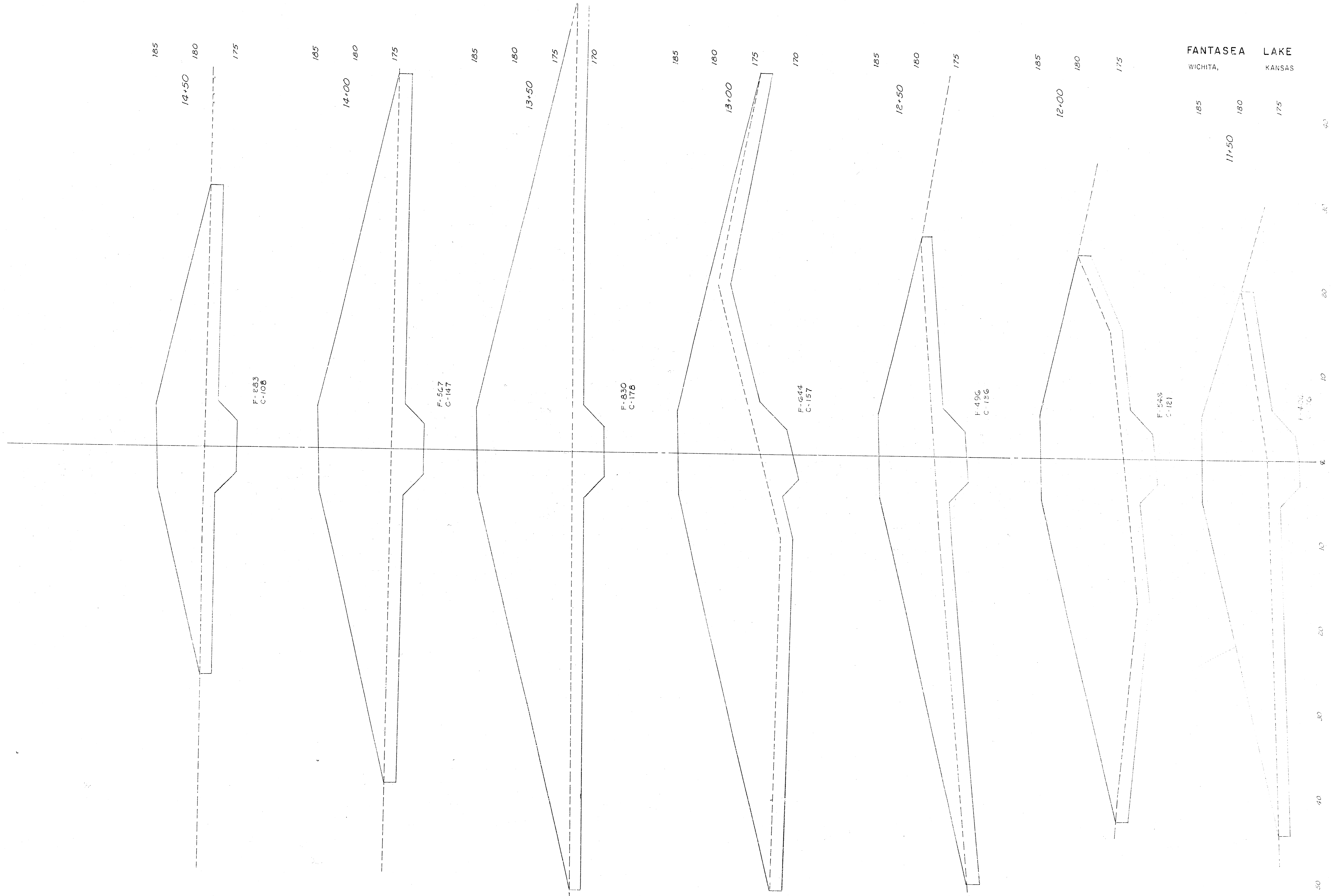


Note: Trash Rack
 Use Western Iron & Foundry Co., Inc.
 cast iron frame & grate; frame -
 # 408 F grates - 400 G or approved
 equal; 2 frames & 4 grates needed
 for this Inlet Box.





FANTASEA LAKE
WICHITA, KANSAS



FANTASEA LAKE
WICHITA, KANSAS

F-283
C-108

F-567
C-147

F-630
C-176

F-644
C-157

F-496
C-136

F-545
C-161

F-420
C-116

FANTASEA LAKE
WICHITA, KANSAS

