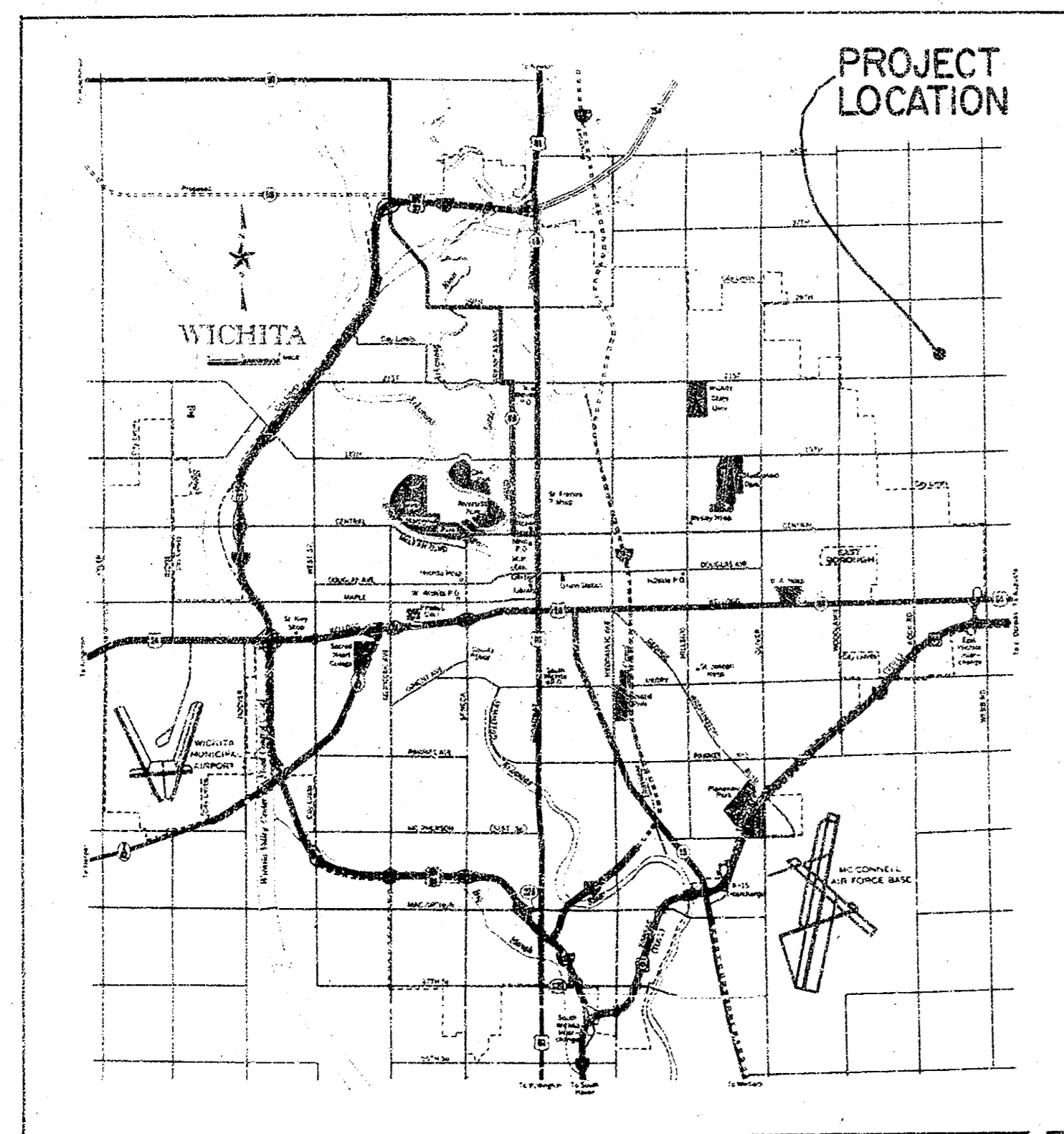


PROJECT NO. 468-76-245-81094-000-000-001
TALLGRASS FLOODWATER
DETENTION RESERVOIR
CONTROL STRUCTURE NO. II

IN
TALLGRASS

FOR THE CITY OF
WICHITA, KANSAS
R. W. BRUGGEMAN, CITY ENGINEER

MARCH 1981



LOCATION MAP

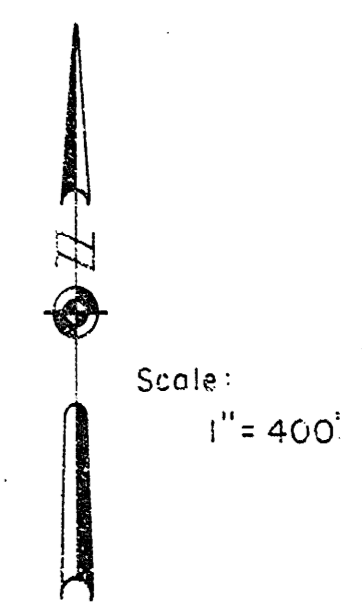
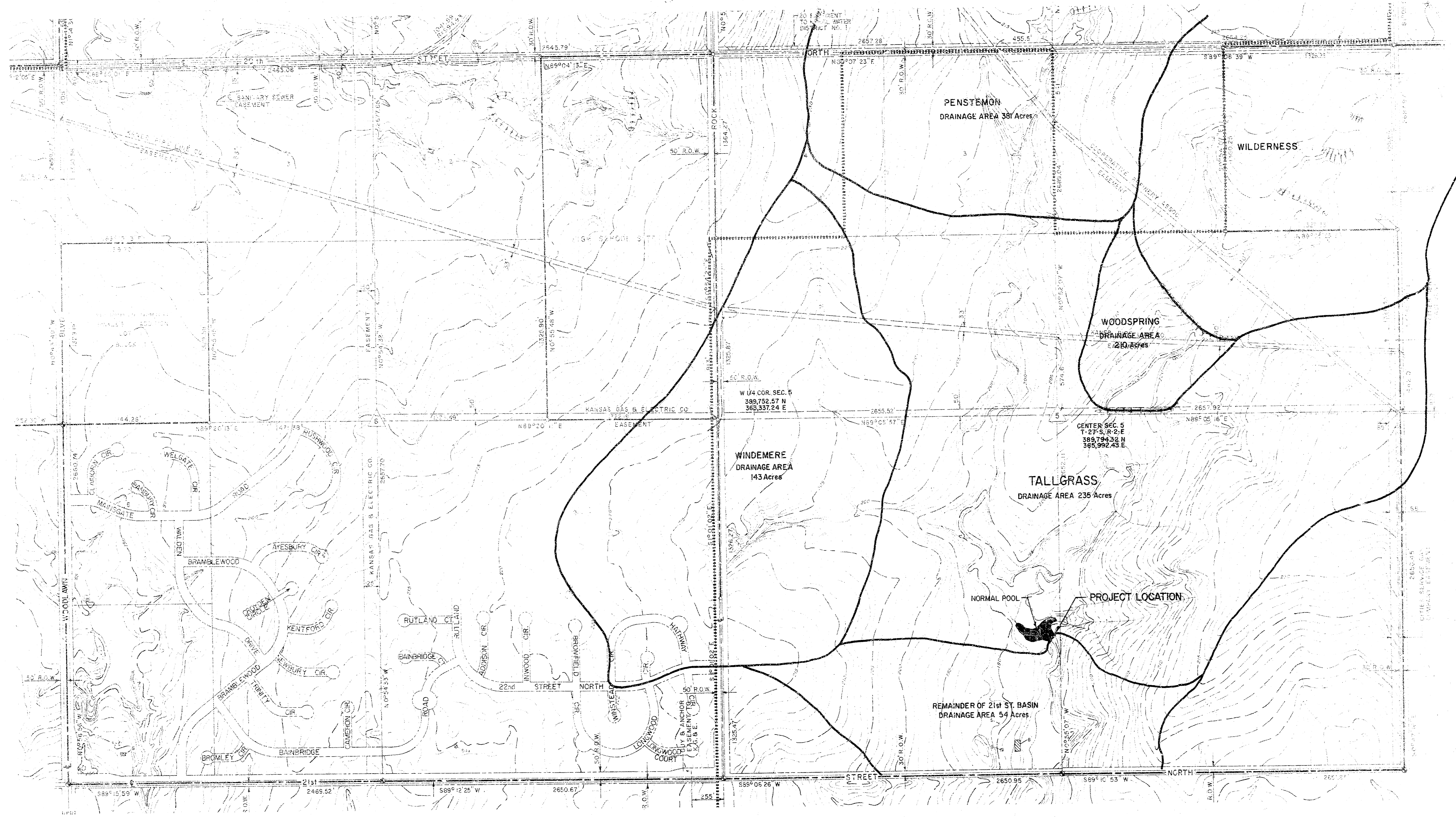
INDEX TO DRAWINGS

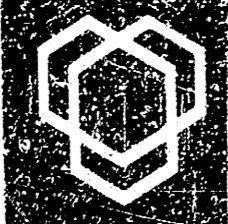
- 1 COVER SHEET
- 2 DRAINAGE AREA MAP
- 3 SITE PLAN
- 4 DETAILS

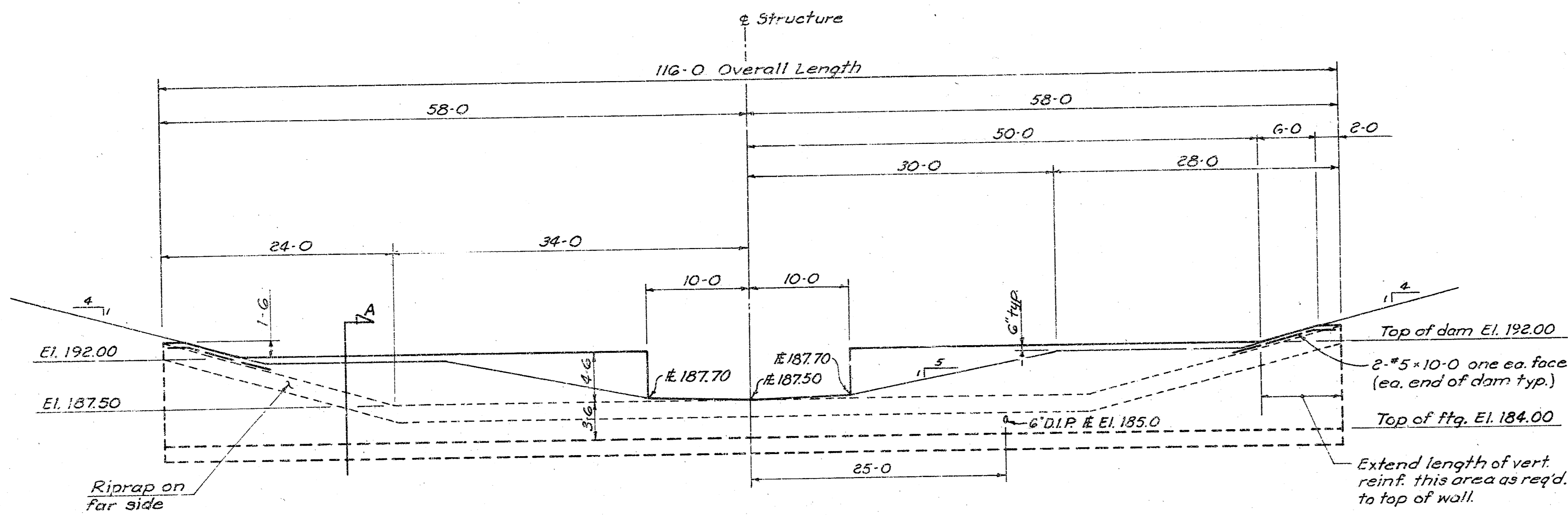
VAN DOREN-HAZARD-STALLINGS
ARCHITECTS-ENGINEERS-PLANNERS
WICHITA, KANSAS

Job No. 79-234

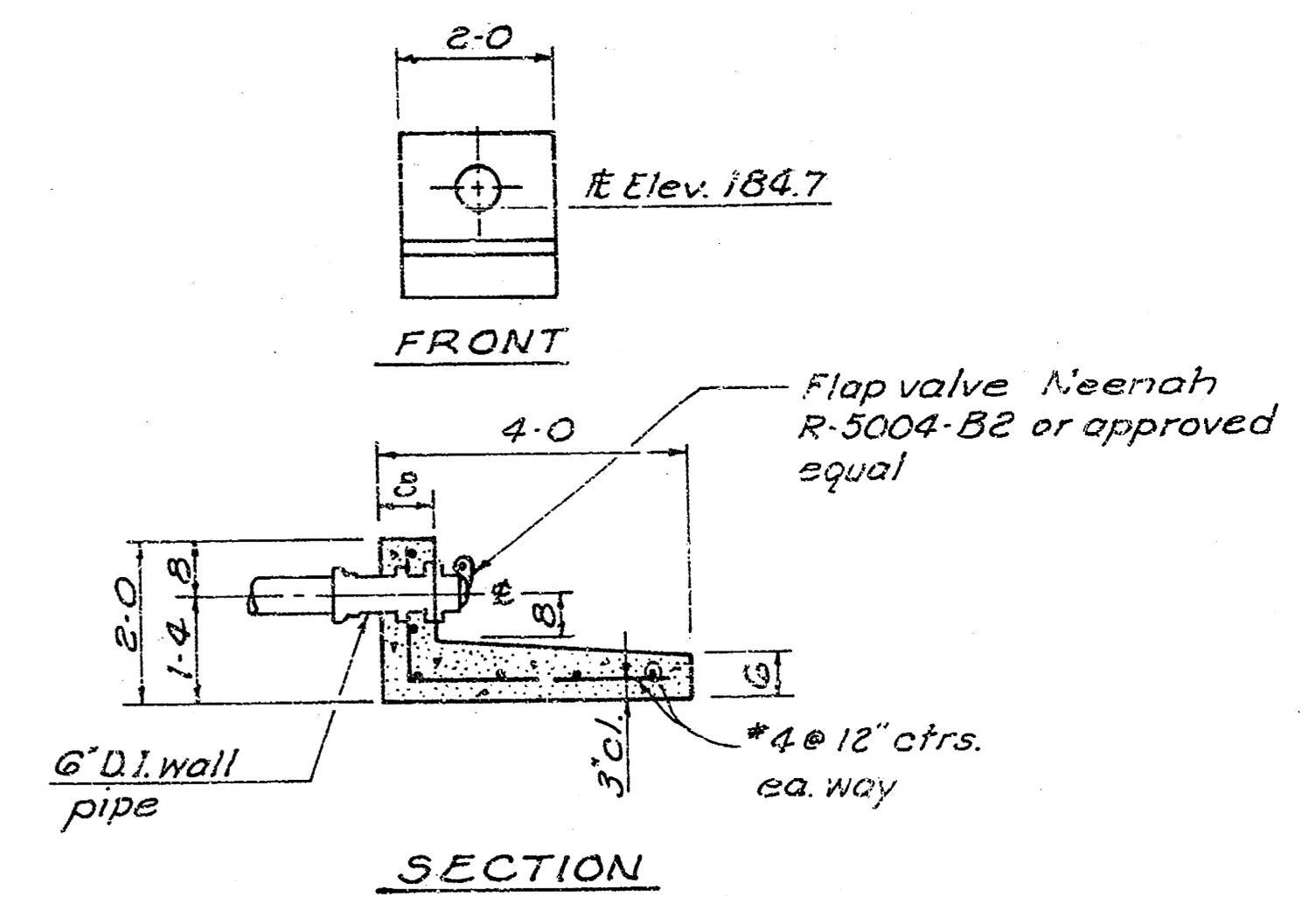




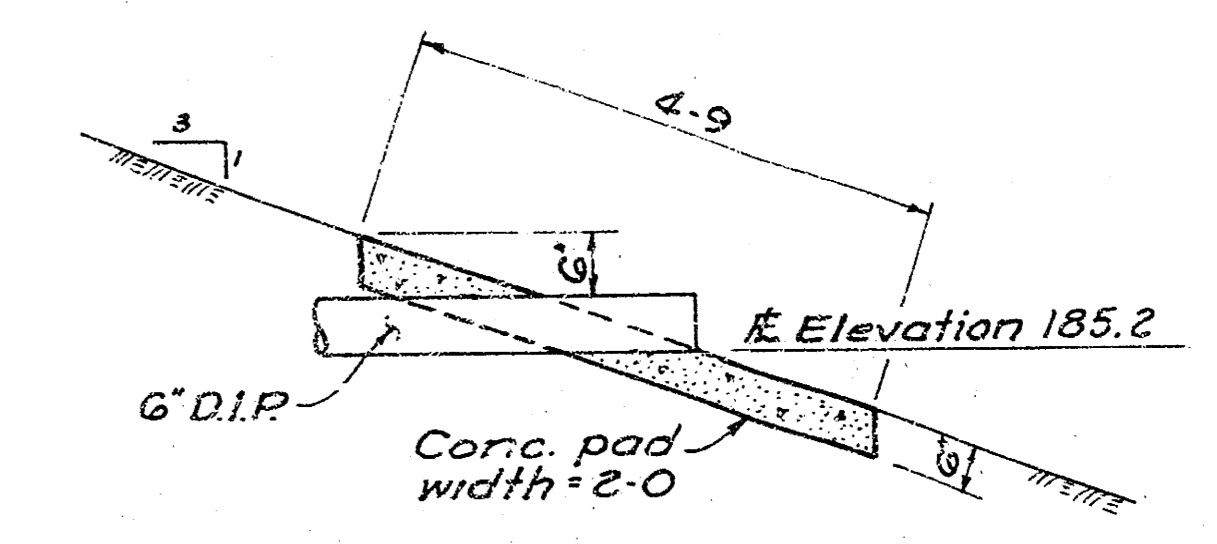
TALLGRASS DETENTION RESERVOIR WICHITA, KANSAS		Design J.V.W.
DRAINAGE AREA MAP		Drawn by M.W.B.
		Checked by J.V.W.
		Date March 1981
		Job no. 79-234
 Van Doren - Hazard - Stallings Architects • Engineers • Planners Topeka Wichita Minneapolis		Sheet 3 of 4



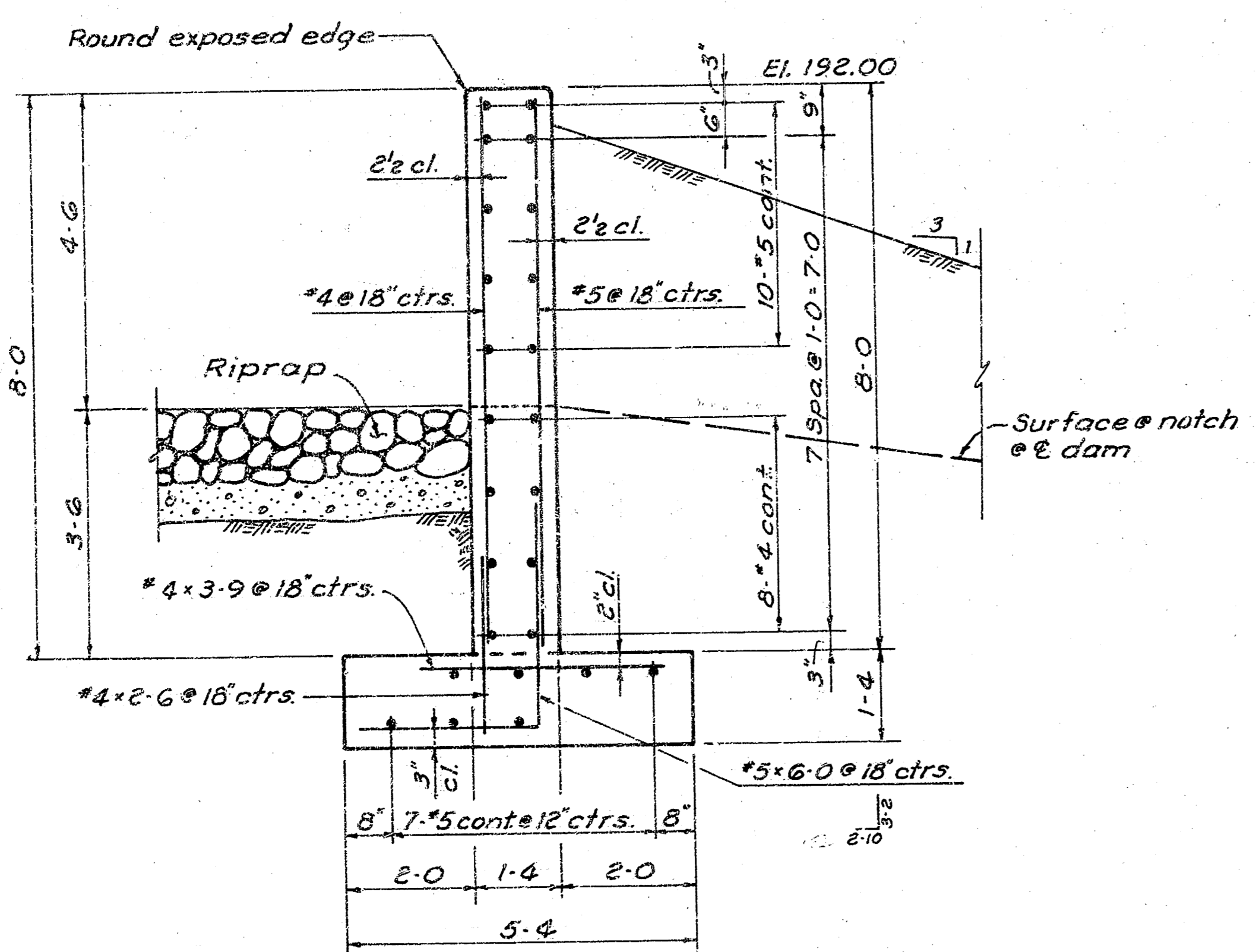
ELEVATION
Scale 1/8"=1'-0"



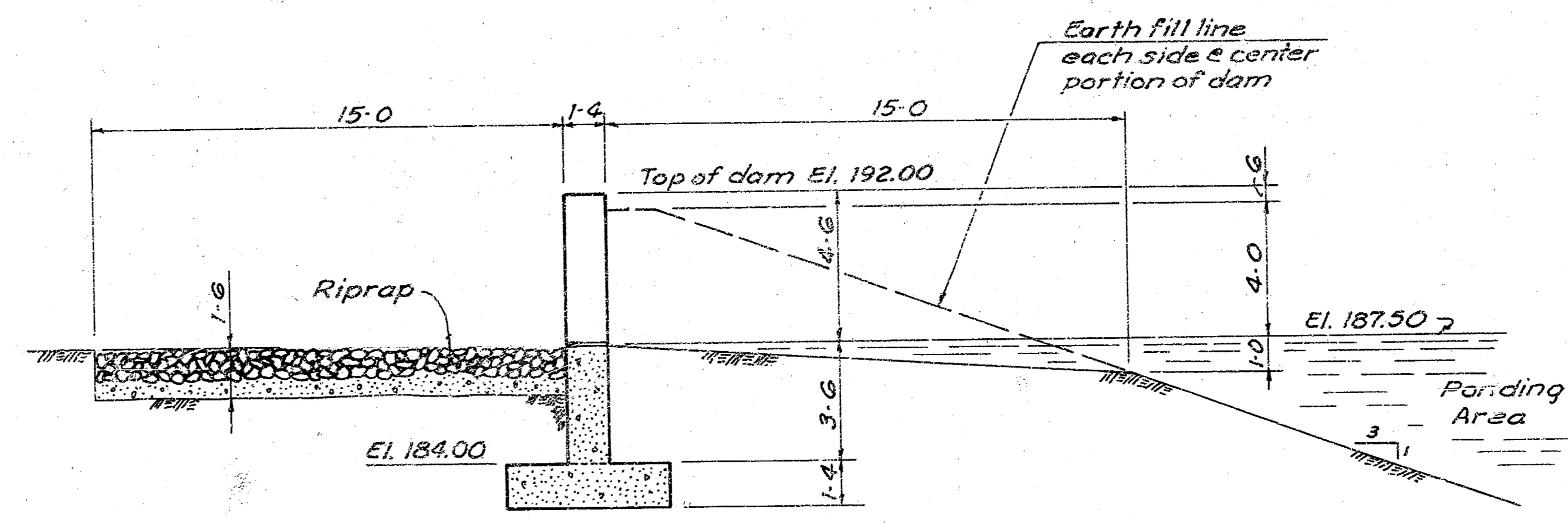
OUTLET HEADWALL
No. Scale



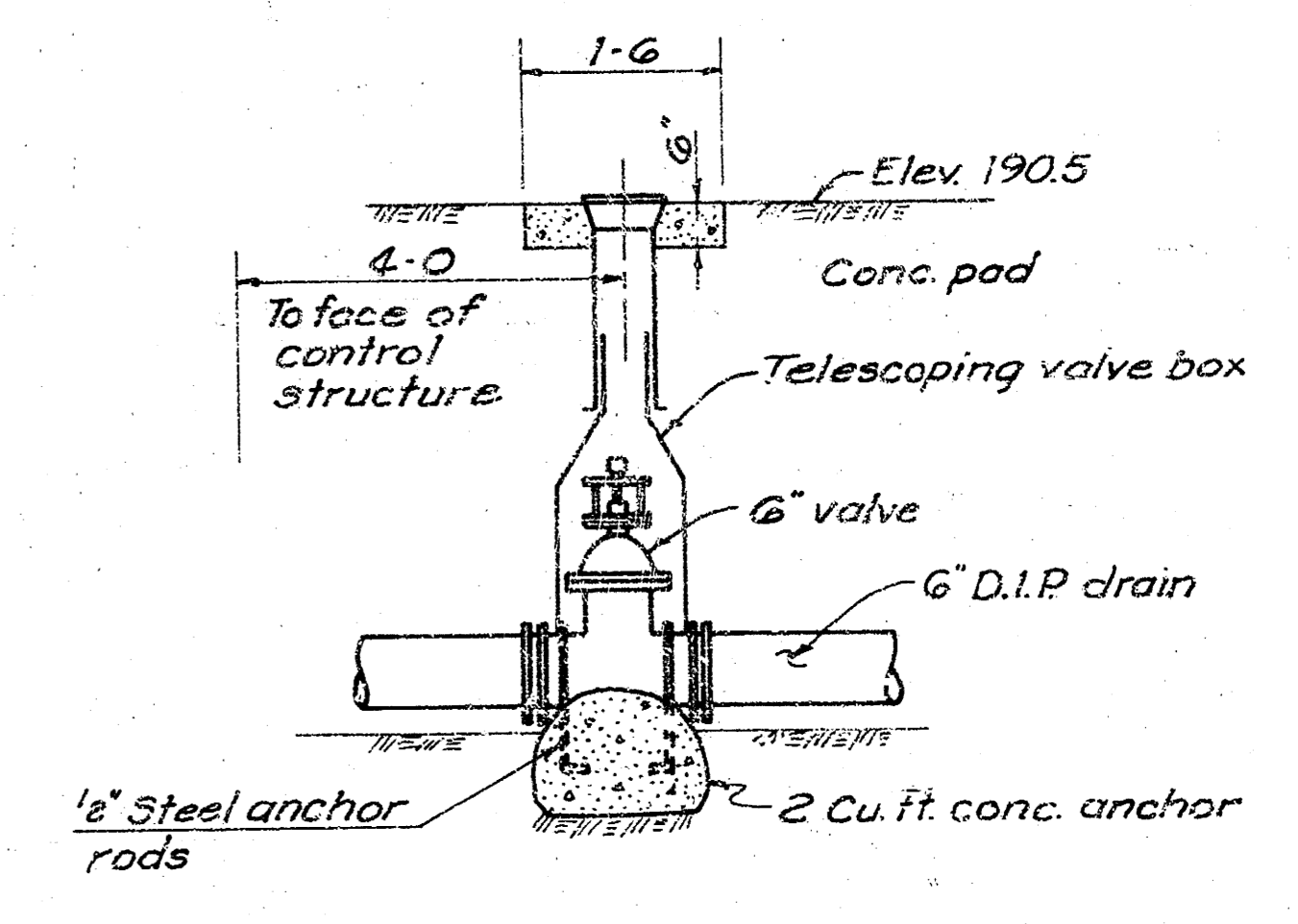
INLET HEADWALL
No. Scale



SECTION - A
Scale 1/2"=1'-0"



SECTION at CENTER
Scale 1/4"=1'-0"



VALVE DETAIL & ANCHOR
No. Scale

TALLGRASS DETENTION RESERVOIR WICHITA, KANSAS		Design L.L.W.
		Drawn by MWB
		Checked by JWW
		Date March 1991
		Job no. 79-234
Van Doren - Hazard - Stallings		Sheet 4/4
Architects • Engineers • Planners Topeka • Wichita • Minneapolis		of 4