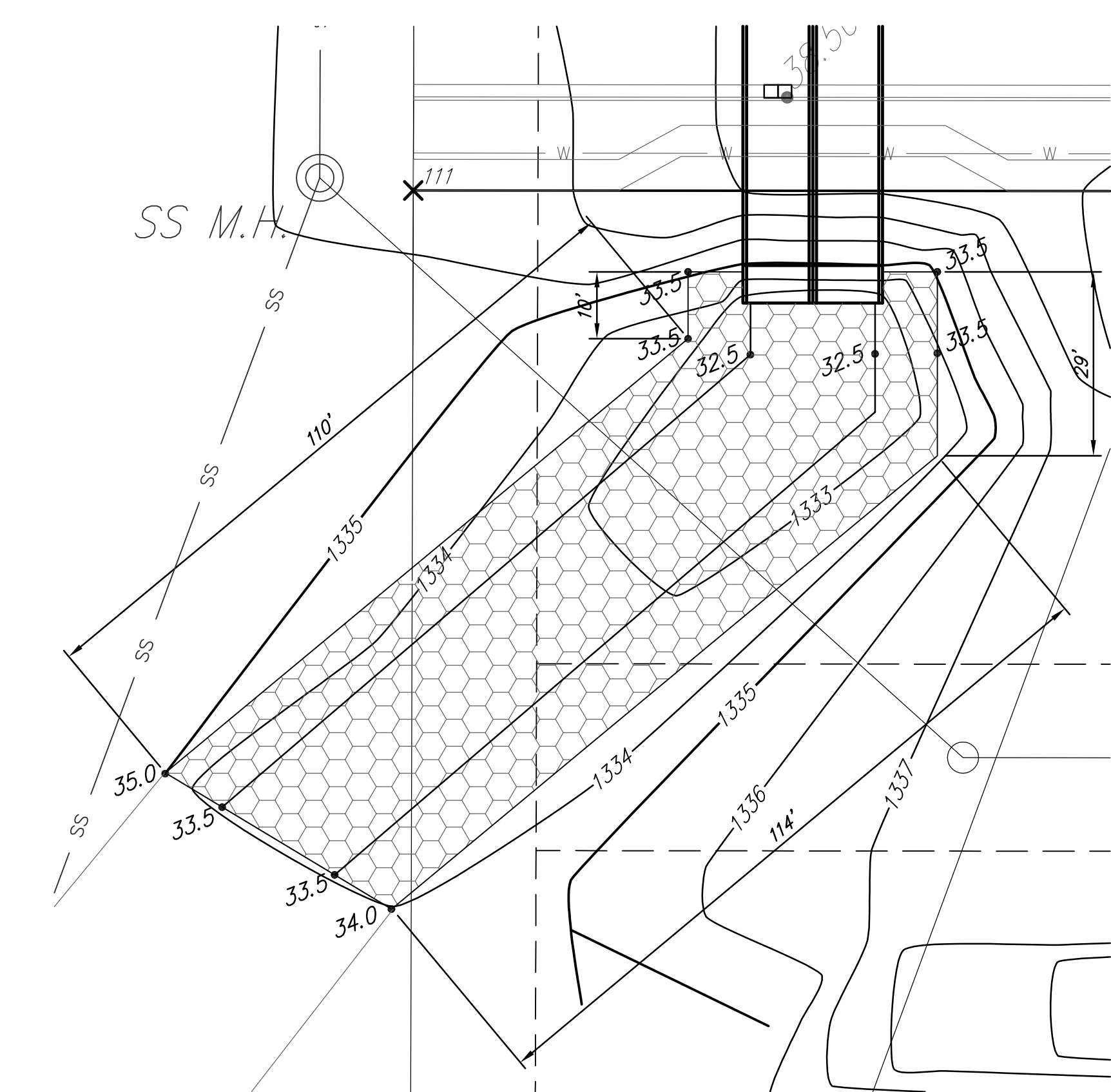
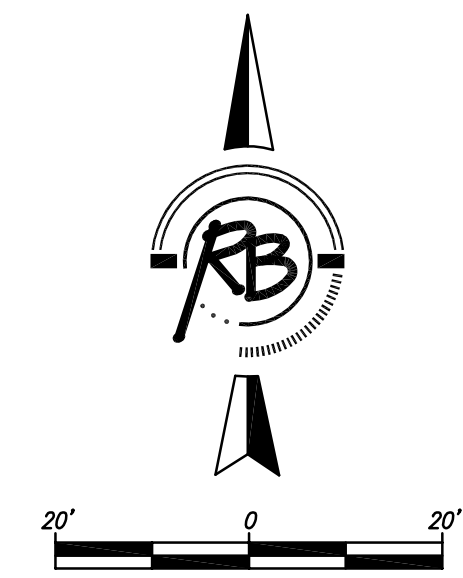
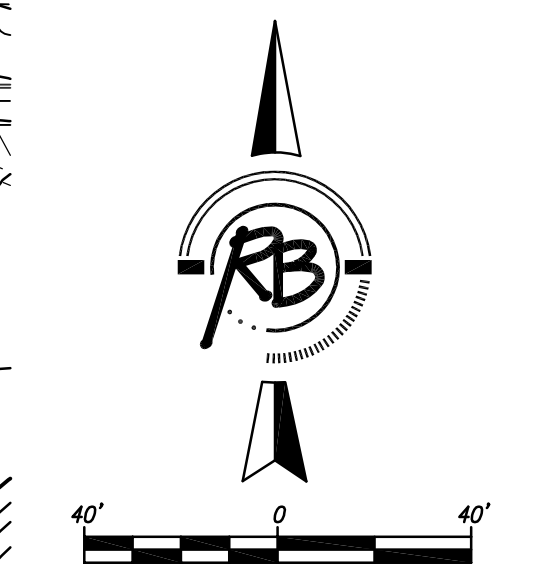
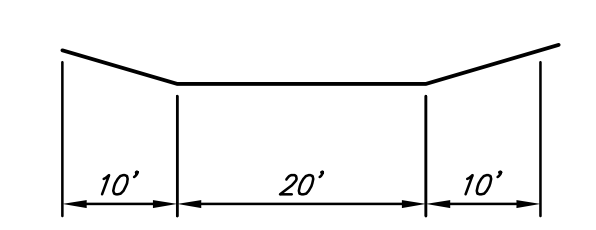


CONSTRUCT CONCRETE WEIR WALL
SEE DETAILS SHEET ____.



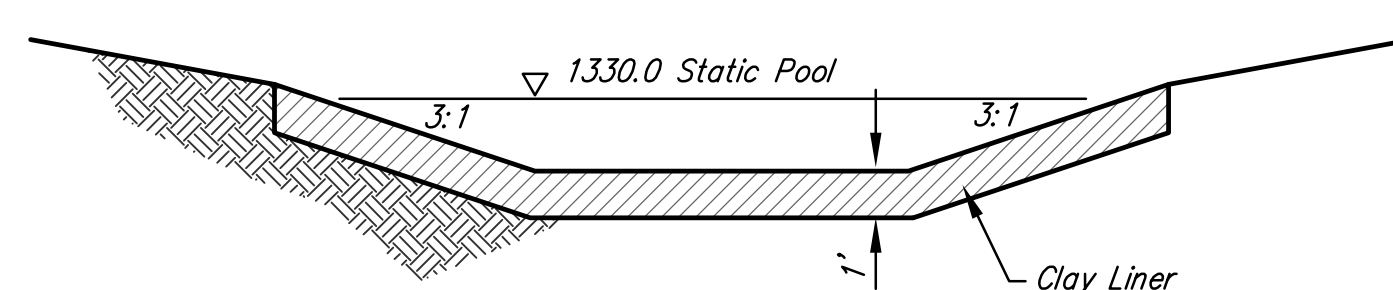
PYRAMAT DETAIL



PYRAMAT LINER SECTION

CONSTRUCT 2-10'x3'x96' RCB
SEE DETAILS SHEET ____.

PLACE 385 S.Y. GEOTEXTILE (PYRAMAT OR
APPROVED EQUAL) EROSION CONTROL MAT
AS INDICATED.



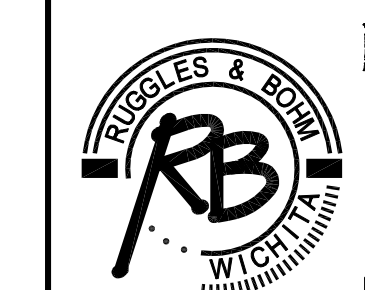
CLAY LINER DETAIL

CONSTRUCTION LIMITS

NOTE: THE POND BOTTOM AND SIDES ARE TO BE LINED WITH CLAY TO A MINIMUM DEPTH OF 1 FEET, MOISTURE CONDITIONED AND COMPACTED TO A MINIMUM OF 95 PERCENT OF STANDARD PROCTOR DENSITY (ASTM D-698) FROM MINUS 3 TO PLUS 3 PERCENT OF OPTIMUM MOISTURE CONTENT. POND LINER SHALL BE CLAY SOIL WITH A MINIMUM P.I. VALUE OF 30 OR MUST BE APPROVED BY A GEOTECHNICAL ENGINEER; SOIL TO BE PAID FOR AS "POND LINER C.Y."

Point Table			
Point #	Northing	Easting	Description
200	22248.19	21400.07	Static Pool
201	22275.37	21427.65	Static Pool
202	22272.57	21374.08	Static Pool
203	22322.72	21378.07	Static Pool
204	22325.97	21424.44	Static Pool
205	22387.46	21443.72	Static Pool
206	22413.80	21510.74	Static Pool
208	22397.70	21573.07	Static Pool
209	22409.30	21640.26	Static Pool
210	22479.17	21647.04	Static Pool
211	22536.90	21656.04	Static Pool
212	22585.92	21631.66	Static Pool
213	22595.84	21579.89	Static Pool
214	22570.73	21521.42	Static Pool
215	22557.56	21468.84	Static Pool
216	22568.73	21420.07	Static Pool
217	22529.51	21383.41	Static Pool
218	22475.53	21392.82	Static Pool
219	22411.78	21393.10	Static Pool
220	22361.88	21385.04	Static Pool
221	22588.77	21675.00	@ Weir
222	22621.36	21610.63	@ Weir

TARA CREEK ADDITION
POND PLAN
WICHITA, KANSAS



Ruggles & Bohm, P.A.
Engineering, Surveying, Land Planning

924 North Main
Wichita, Kansas 67203
www.rbkansas.com
(316) 264-8008
(316) 264-4621 fax
E-mail: info@rbkansas.com

DRAWING FILE PROJECT NUMBER DATE
Sept. 26, 2007

DESIGN CMB
DRAWN RA
REVIEW RA
UTILITY
DATE Sept. 26, 2007
SHEET 3 OF 16
JOB NO. 3032E