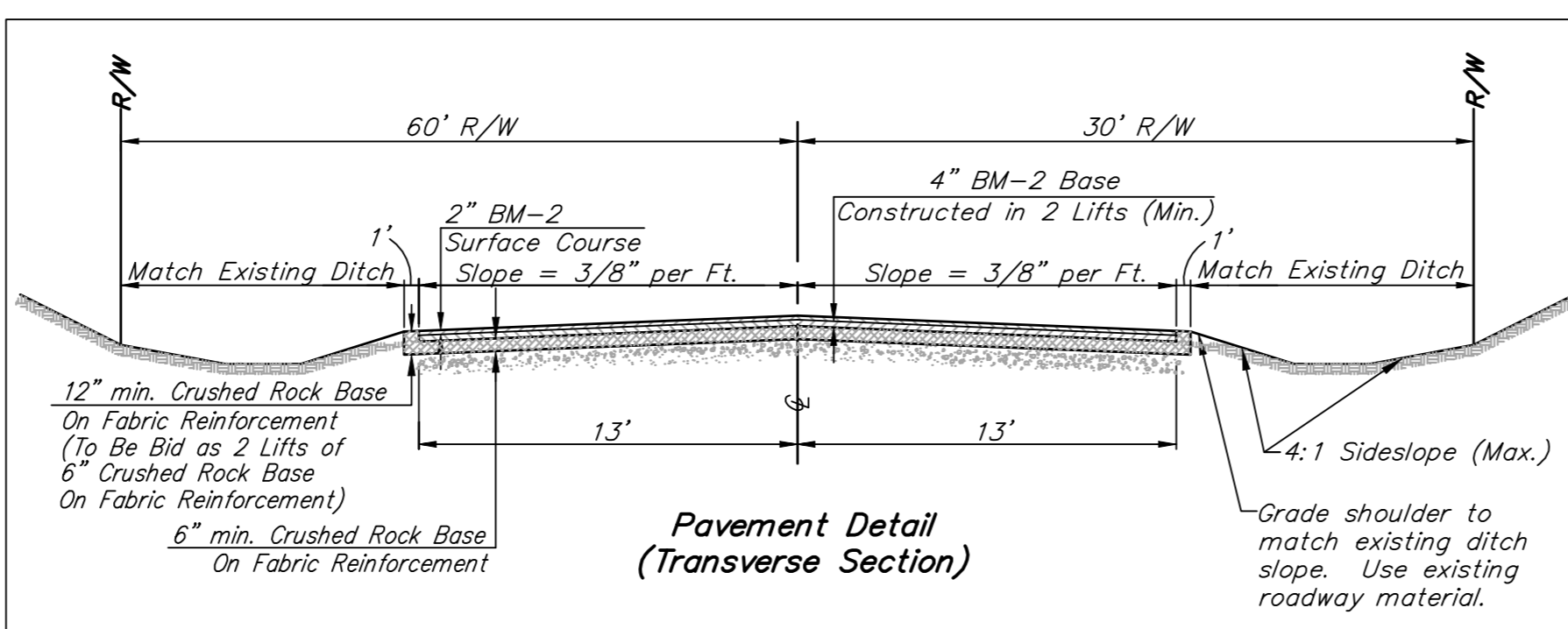
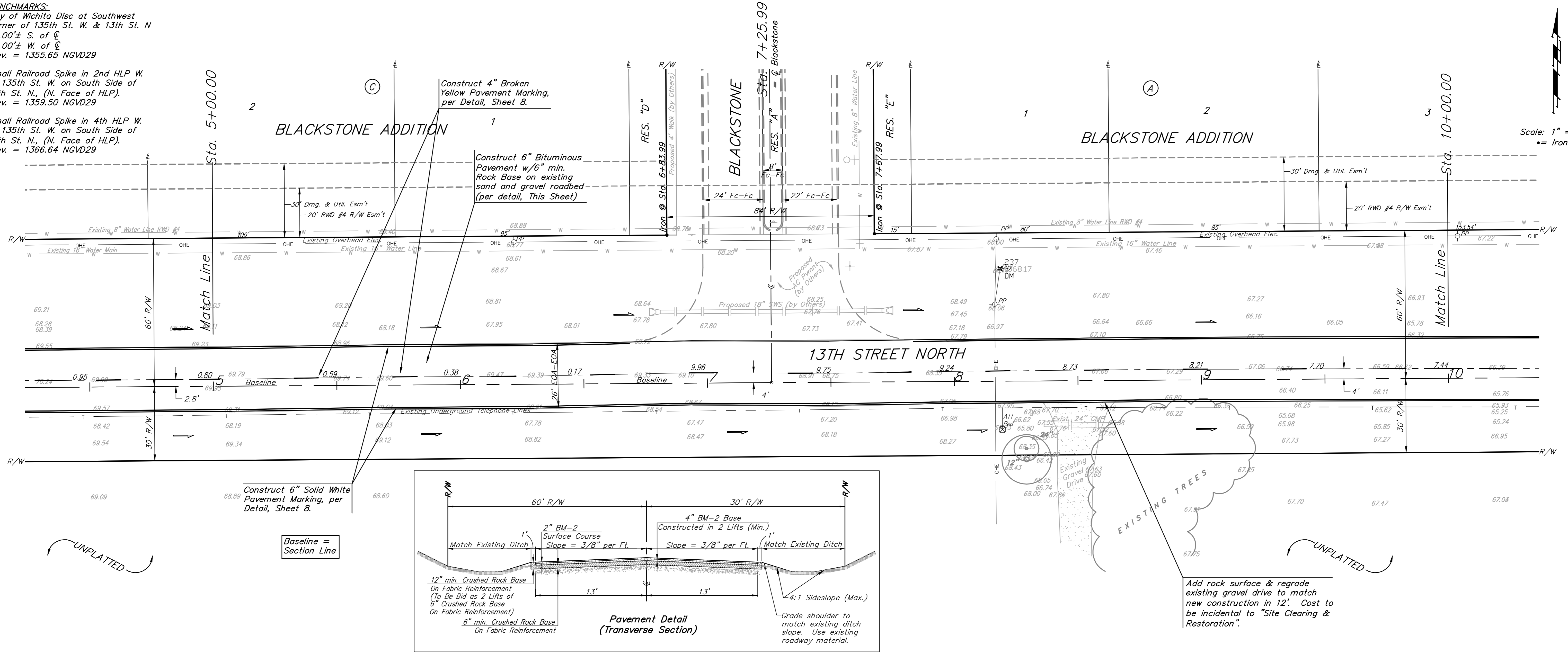
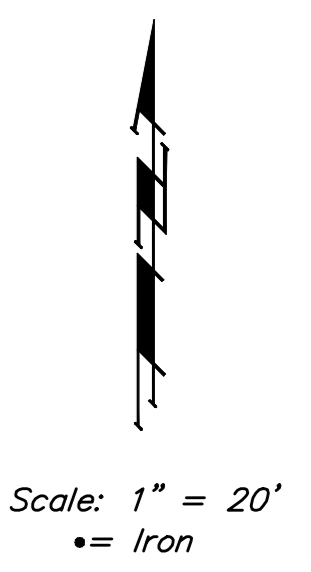


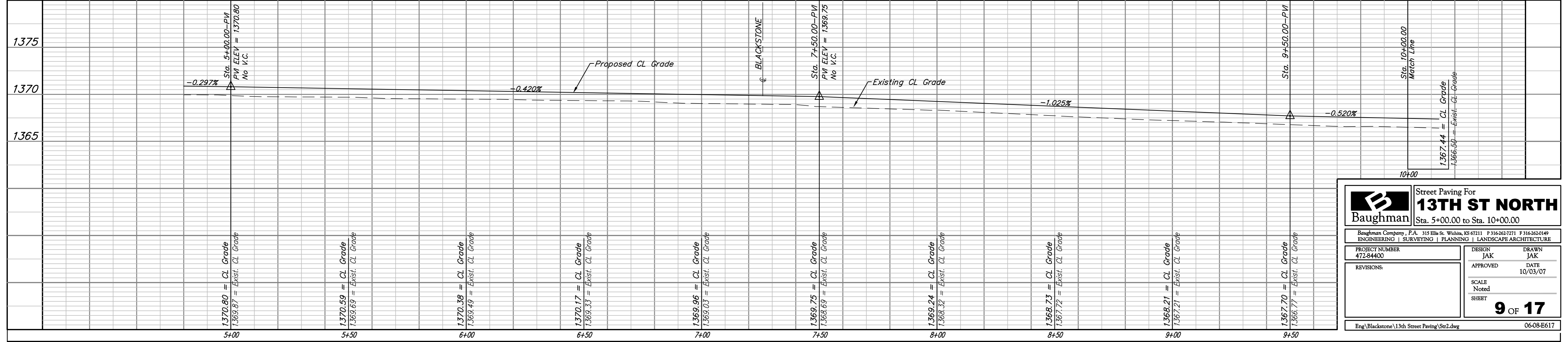
BENCHMARKS:
 City of Wichita Disc at Southwest
 Corner of 135th St. W. & 13th St. N
 30.00'± S. of \odot
 35.00'± W. of \odot
 Elev. = 1355.65 NGVD29

Small Railroad Spike in 2nd HLP W.
 of 135th St. W. on South Side of
 13th St. N., (N. Face of HLP).
 Elev. = 1359.50 NGVD29

Small Railroad Spike in 4th HLP W.
 of 135th St. W. on South Side of
 13th St. N., (N. Face of HLP).
 Elev. = 1366.64 NGVD29



Add rock surface & regrade
 existing gravel drive to match
 new construction in 12'. Cost to
 be incidental to "Site Clearing &
 Restoration".



Baughman Street Paving For
13TH ST NORTH
 Sta. 5+00.00 to Sta. 10+00.00

Baughman Company, P.A. 315 Ellis St. Wichita, KS 67211 F 316-262-7271 F 316-262-0149
 ENGINEERING | SURVEYING | PLANNING | LANDSCAPE ARCHITECTURE

PROJECT NUMBER 472-84400	DESIGN JAK	DRAWN JAK
REVISIONS:	APPROVED	DATE 10/03/07
SCALE Noted		9 OF 17
SHEET		

Eng\Blackstone\13th Street Paving\Sr2.dwg 06-08-E617