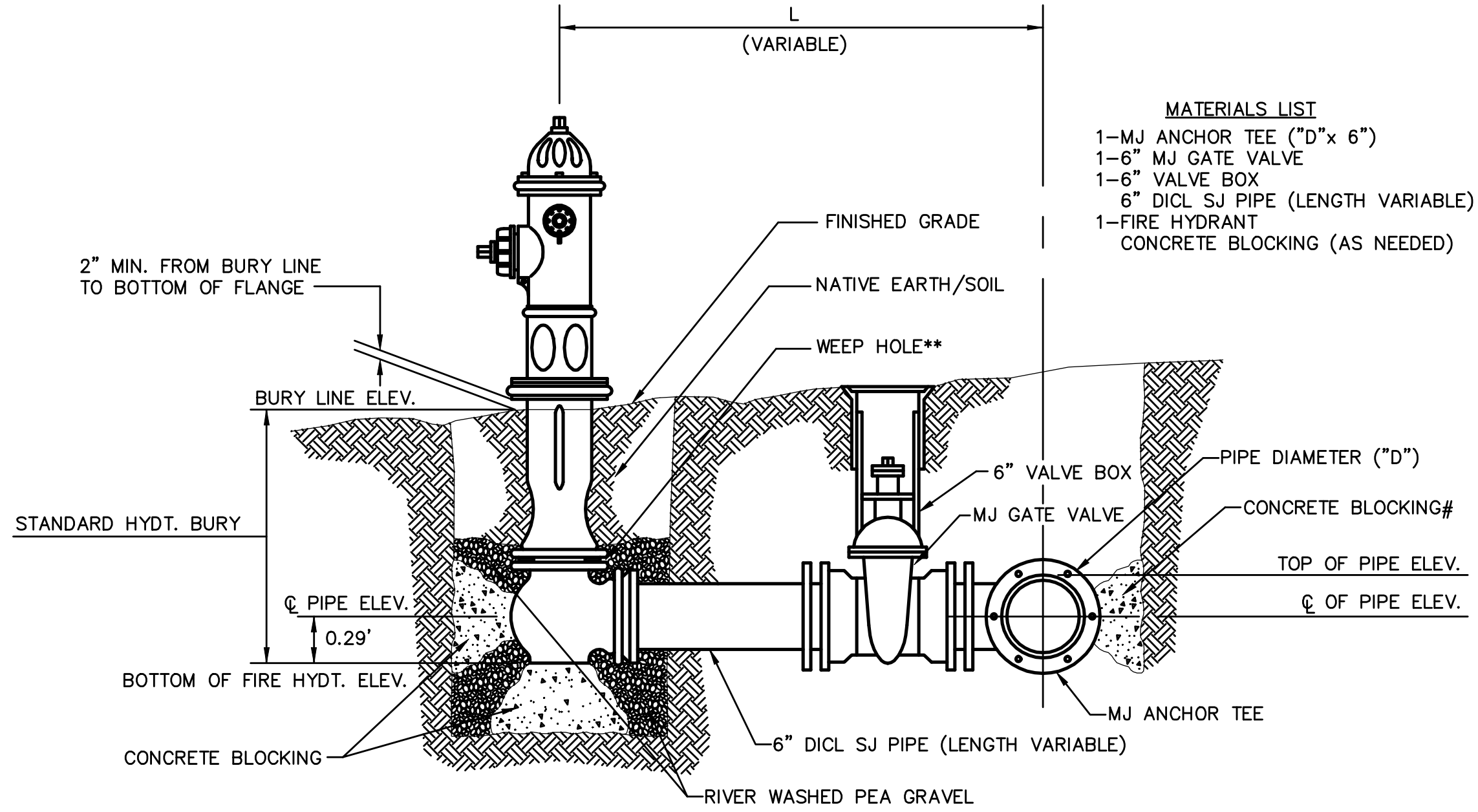


- NOTES**
- This detail covers Butterfly Valve installation, inclusive, regardless of type of pipe or joint used. Larger lines to be detailed on plans.
  - 6" Valve Box and Cover required per City of Wichita Std. Specifications.
  - Conc. Support Block to be full width of trench.

**CONCRETE SUPPORT BLOCKING FOR BUTTERFLY VALVE INSTALLATION**

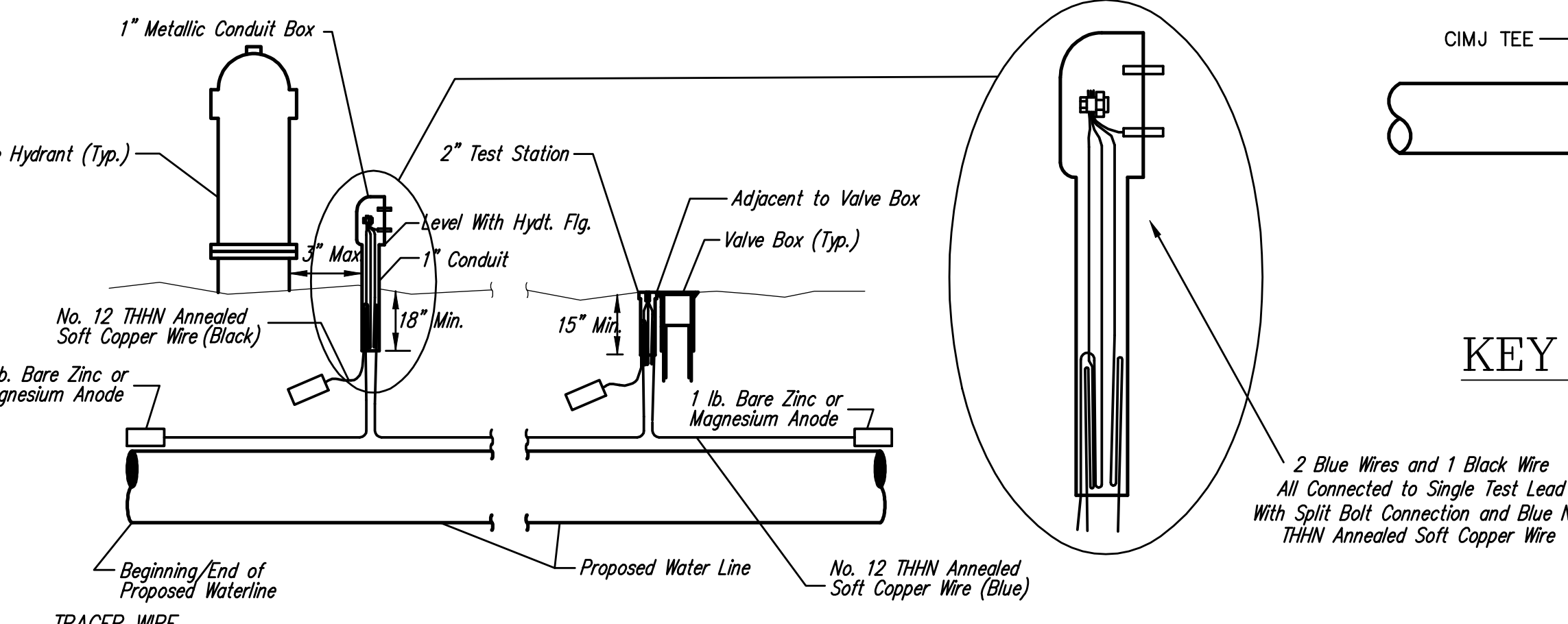


**FIRE HYDRANTS REQUIRED**

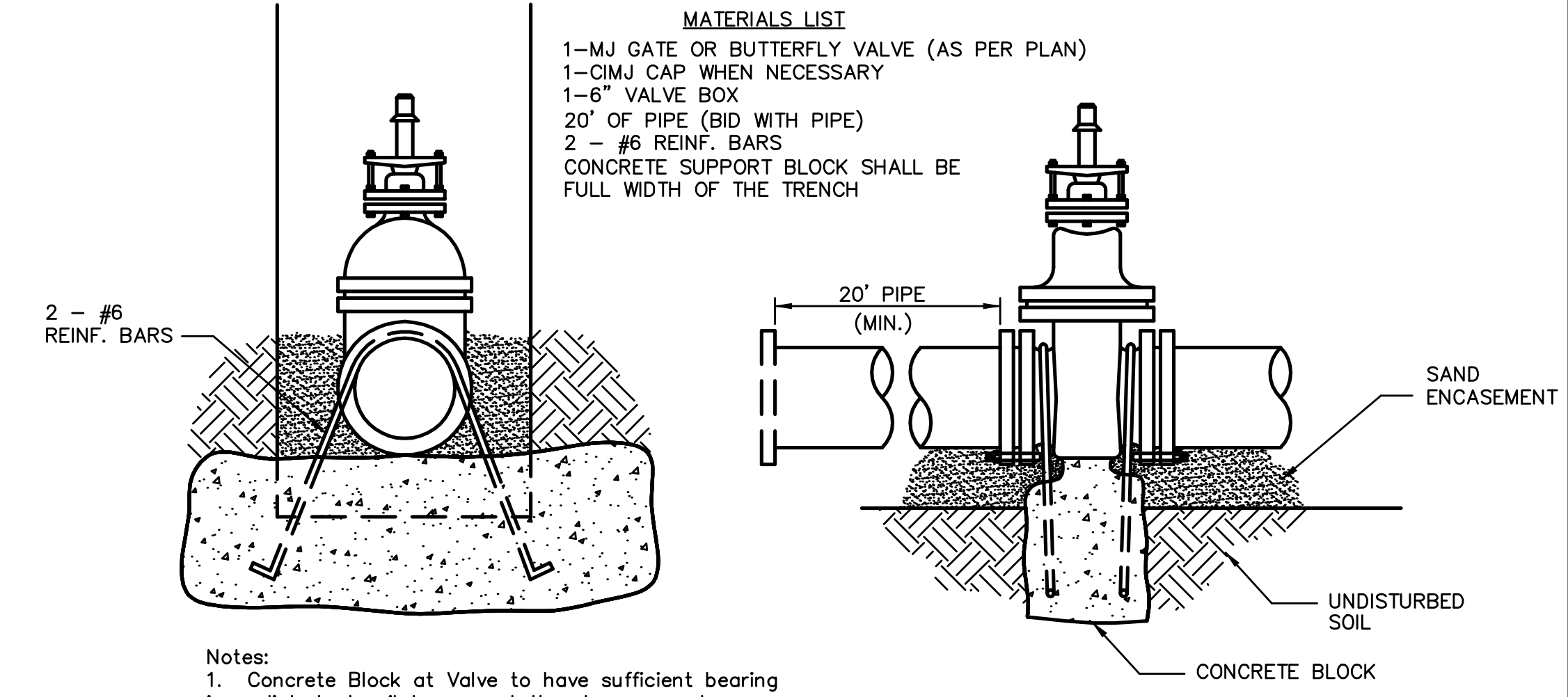
LINE	STATION	BURY LINE ELEVATION	TOP OF PIPE ELEVATION	FIRE HYDRANT BURY REQUIRED*
1	3+10.01	1337.62	1334.03	4.5'
2	5+21.02	1335.10	1331.63	4.5'
2	9+94.26	1336.50	1332.76	4.5'
3	2+43.97	1334.80	1331.20	4.5'
4	1+43.65	1340.30	1335.91	5.0'
5	3+59.86	1342.00	1337.32	5.5'

\*\* CAUTION! WEEP HOLES TO BE KEPT CLEAR DURING CONSTRUCTION AND BACKFILL. CONCRETE FOR THRUST BLOCKING SHALL NOT OBSTRUCT WEEP HOLES.  
 # CONCRETE THRUST BLOCKING SHALL BE KEPT CLEAR OF BOLTS, NUTS, AND MJ ACCESSORIES.  
 \* IF HYDRANT BURY IS IN EXCESS OF 5', CONTRACTOR SHALL USE STANDARD 5' HYDRANT BURY AND HYDRANT BARREL EXTENSIONS AS NECESSARY.

**FIRE HYDRANT ASSEMBLY PER CITY OF WICHITA SPECIFICATIONS**



**TRACER WIRE DETAIL**  
 COST IS SUBSIDIARY TO PIPE INSTALLATION

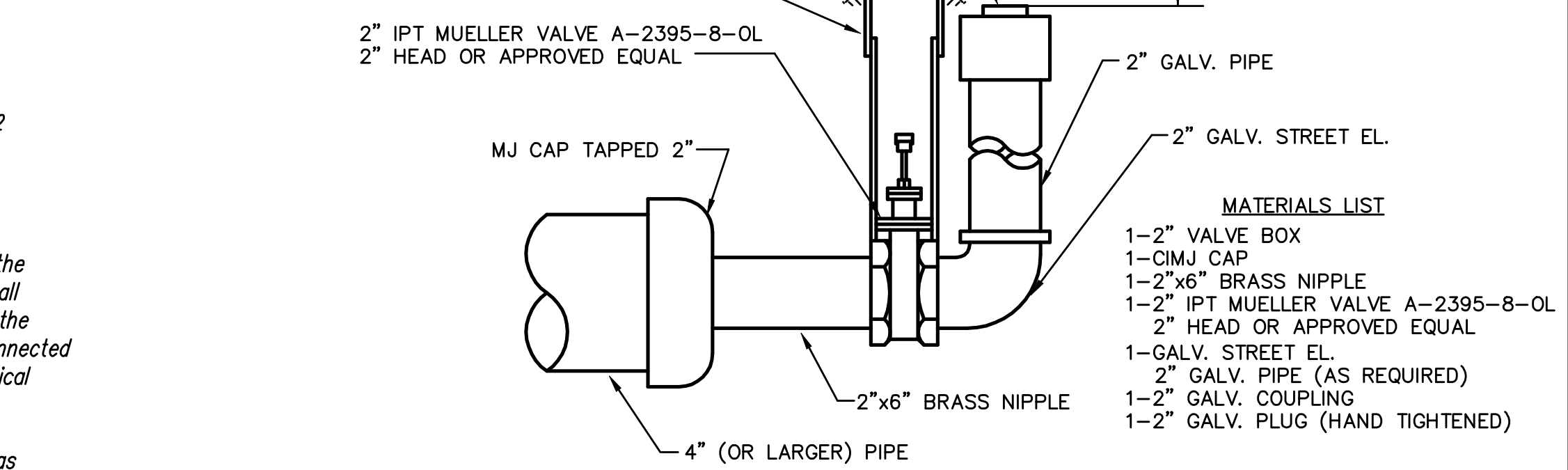
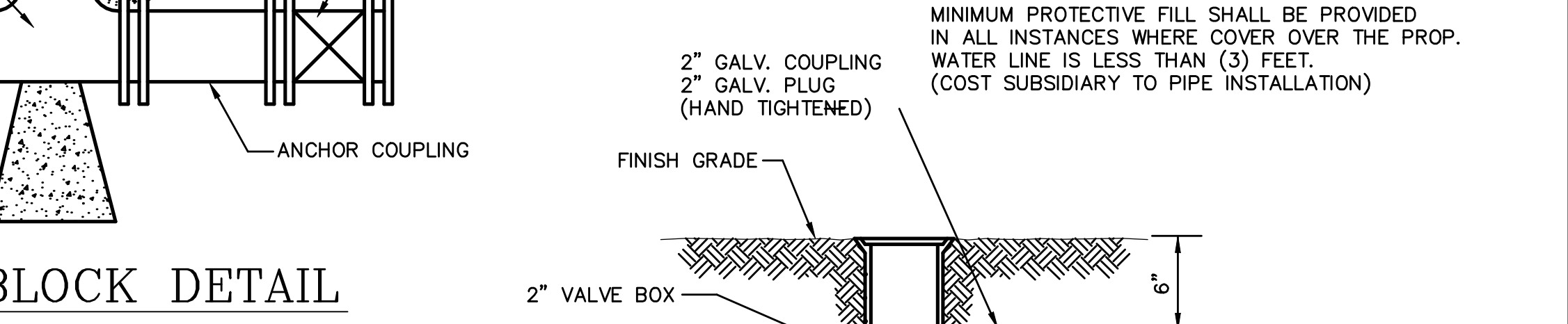
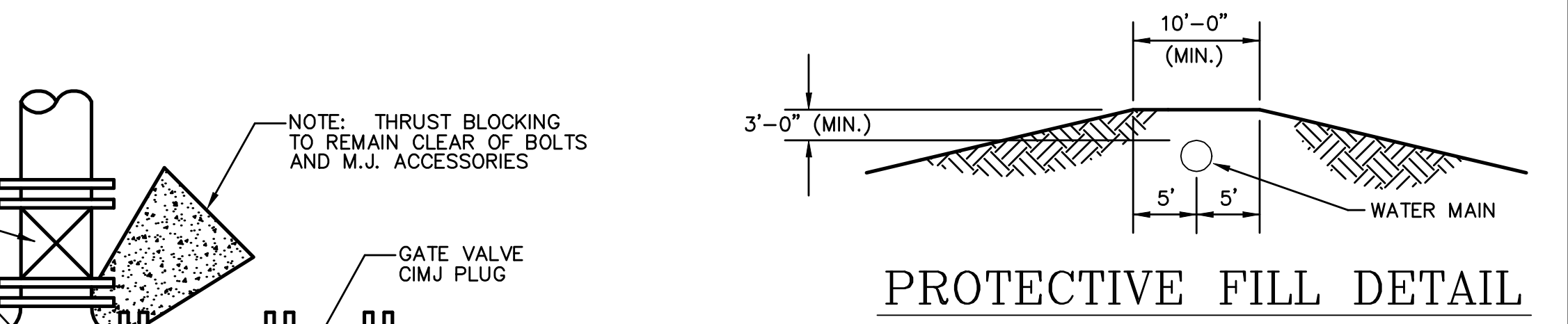


**THRUST AT VALVES**

VALVE	THRUST AT 150 #/in <sup>2</sup>
4"	1809 lbs.
6"	4245 lbs.
8"	7540 lbs.
12"	16965 lbs.

**Notes:**  
 1. Concrete Block at Valve to have sufficient bearing in undisturbed soil to prevent thrust movement as shown in table at right. Field Engineer to determine thrust loading of undisturbed soil and final size of thrust block.  
 2. The thrust block shall be constructed such that bolts, nuts, and other MJ accessories are kept clear of concrete.  
 3. All valves at dead ends and at other locations as called out on the plans shall be blocked as shown here.

**ANCHORED VALVE ASSEMBLY, SPECIAL**



**2" BLOWOFF ASSEMBLY**

<p>THE CITY OF WICHITA</p> <p>CITY ENGINEER'S OFFICE        CITY HALL - SEVENTH FLOOR        455 NORTH MAIN STREET        WICHITA, KANSAS 67202        (316) 268-4501        (316) 268-4114 FAX</p>	<b>STANDARD WATER ASSEMBLY DETAILS</b>	
	James L. Armor, P.E. City Engineer	
	PROJECT NUMBER 448 - 90262	INDEX CODE 735379
	DATE 07-07	SHEET 2 OF 18

Revised: 6-7-00, MCG