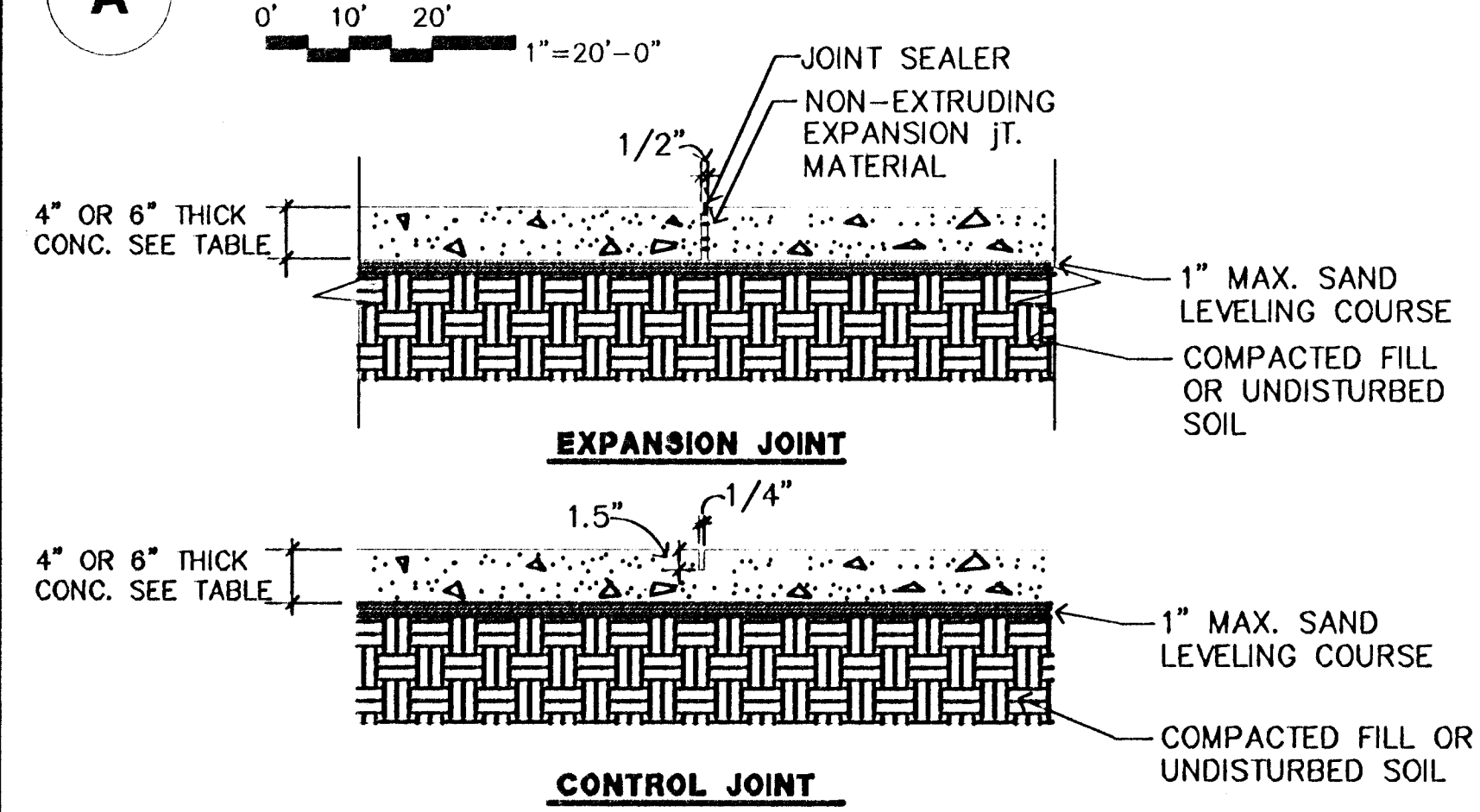


A STATION 9+00.00 TO STATION 15+00.00



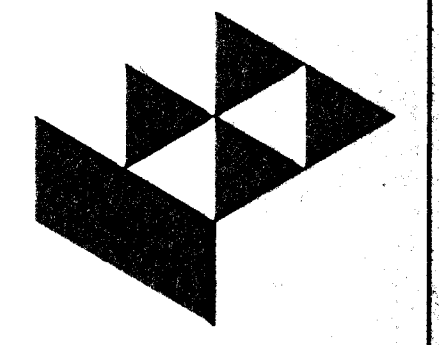
CONC. SIDEWALK/PATHWAY JOINT SPACING AND CONCRETE THICKNESS

CONTRACTION JOINTS			EXPANSION JOINTS	CONCRETE THICKNESS
WIDTH	TRANSVERSE	LONGITUDINAL		
4'	4'	NOT REQ'D	40' MAX	4"
5'	5'	NOT REQ'D	42' MAX	4"
6'	6'	NOT REQ'D	40' MAX	4"
8'	4'	4'	40' MAX	6"
12'	6'	6'	42' MAX	6"

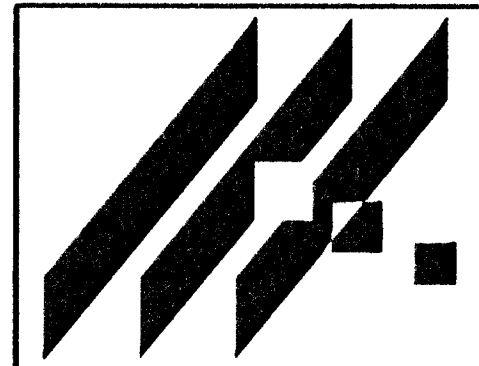
NOTE: ALL CONCRETE @ WALKS IS NONSTRUCTURAL

- NOTE**
- CONSTRUCTION OF SANITARY SEWER SEE SHEET 4-10
 - CONSTRUCTION OF STORM WATER SEWER SEE SHEET 11-15
 - CONSTRUCTION OF PAVED CHANNEL SEE SHEET 16-23
 - CONSTRUCTION OF PAVED CUL-DE-SACS SEE SHEET 24-33
 - CONSTRUCTION OF PEDESTRIAN BRIDGE SEE SHEET 41-42
 - INSTALLATION OF LANDSCAPE SEE SHEET 43-49

4" CONC. SIDEWALK & 6" CONC. PATHWAY DETAILS
NOT TO SCALE



GossenLivingston
Architecture
3028 Maple
Wichita, KS 67202
Tel: 316-261-1377
Fax: 316-261-5858



MID-KANSAS ENGINEERING CONSULTANTS, INC.
411 N. WEBB ROAD
WICHITA, KS 67206
316-684-9600

AREA "K" 3RD. STREET CHANNEL
PROJECT NAME

SIDEWALK/PATHWAY LAYOUT PLAN
SHEET TITLE

TDM, JRS DESIGN BY: TDM, JRS DRAWN BY: CHECKED BY:

JUNE 96 DATE: 9331_B1A JOB NO.: 34 / 77 SHEET/01