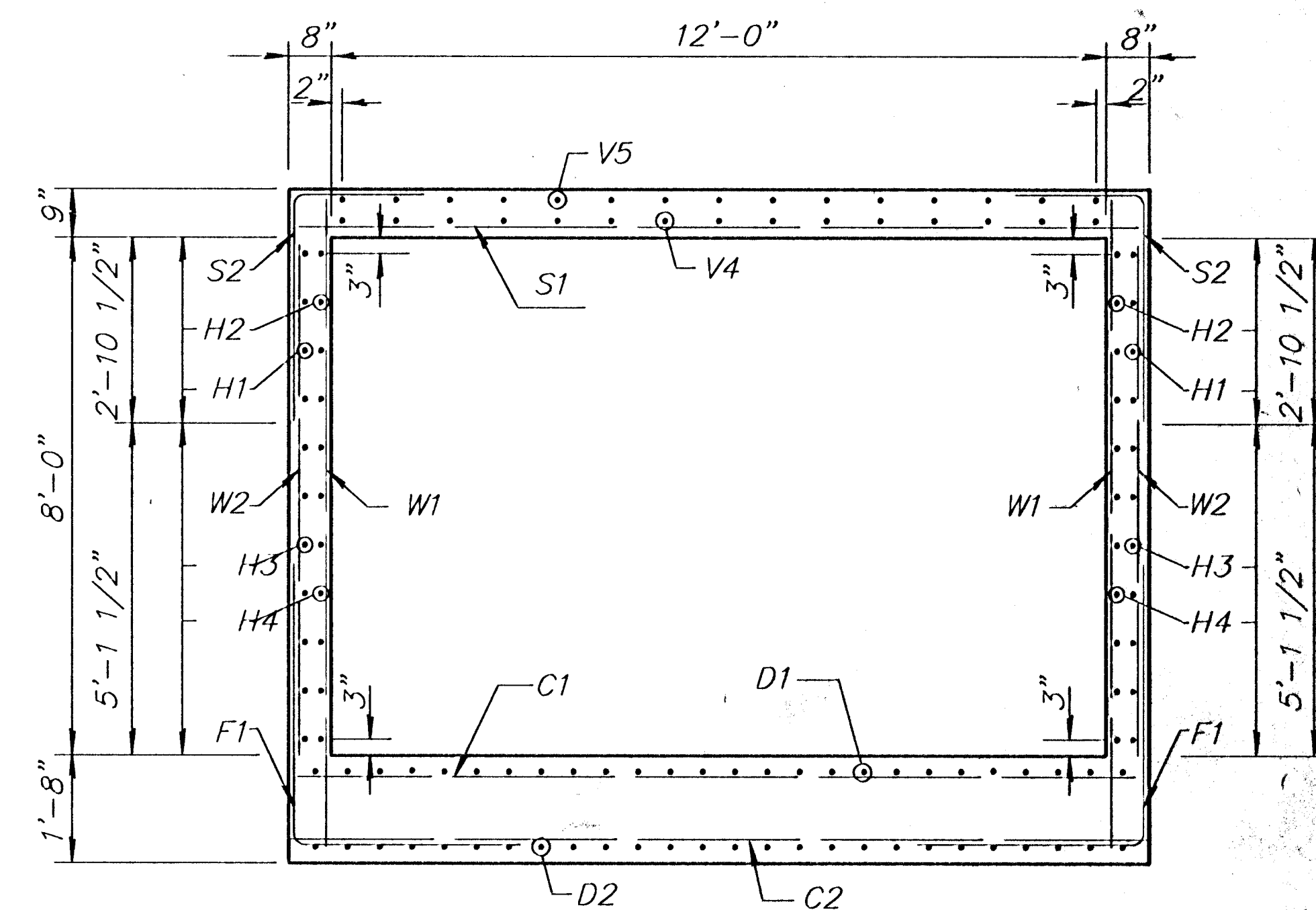
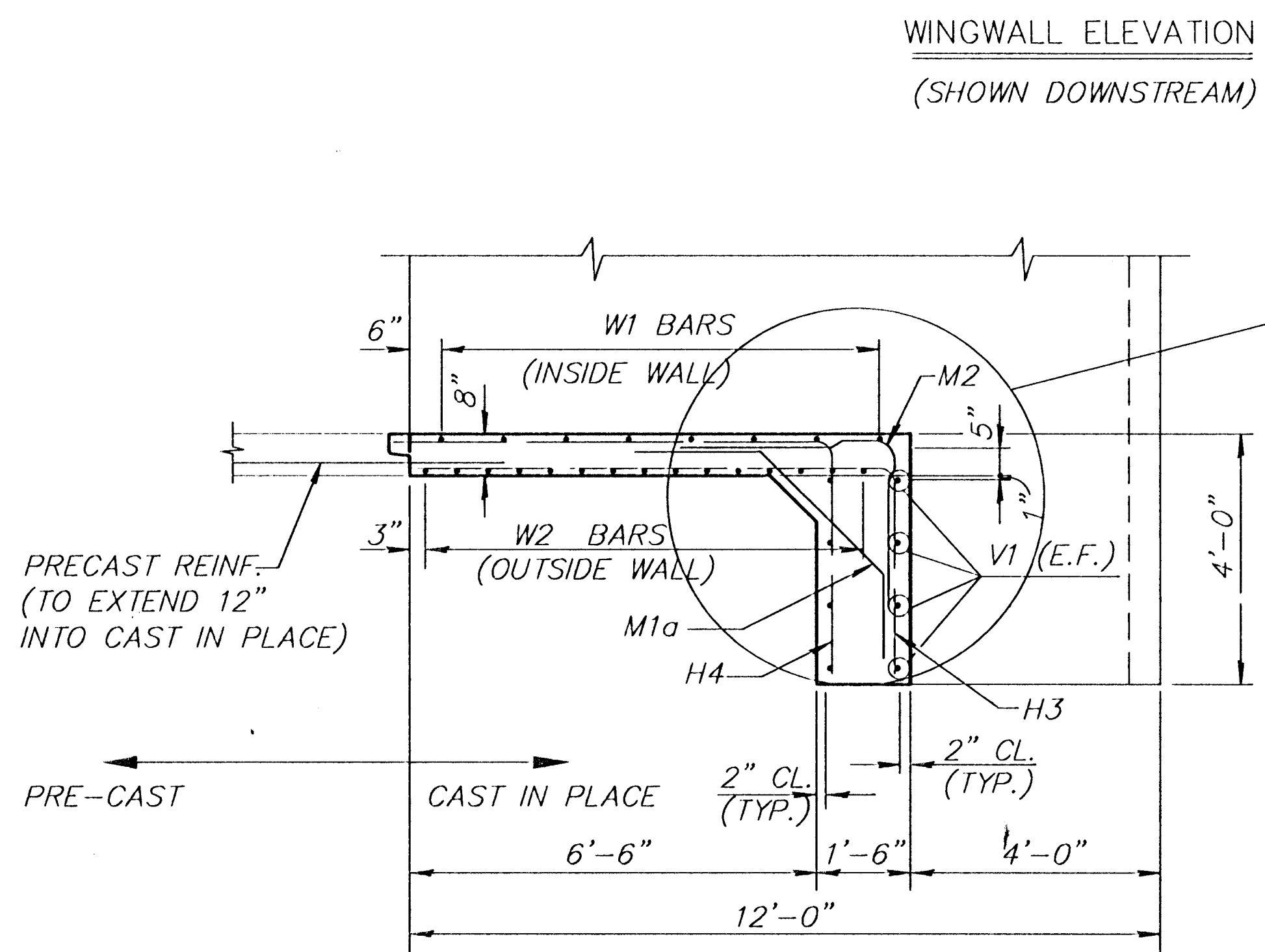


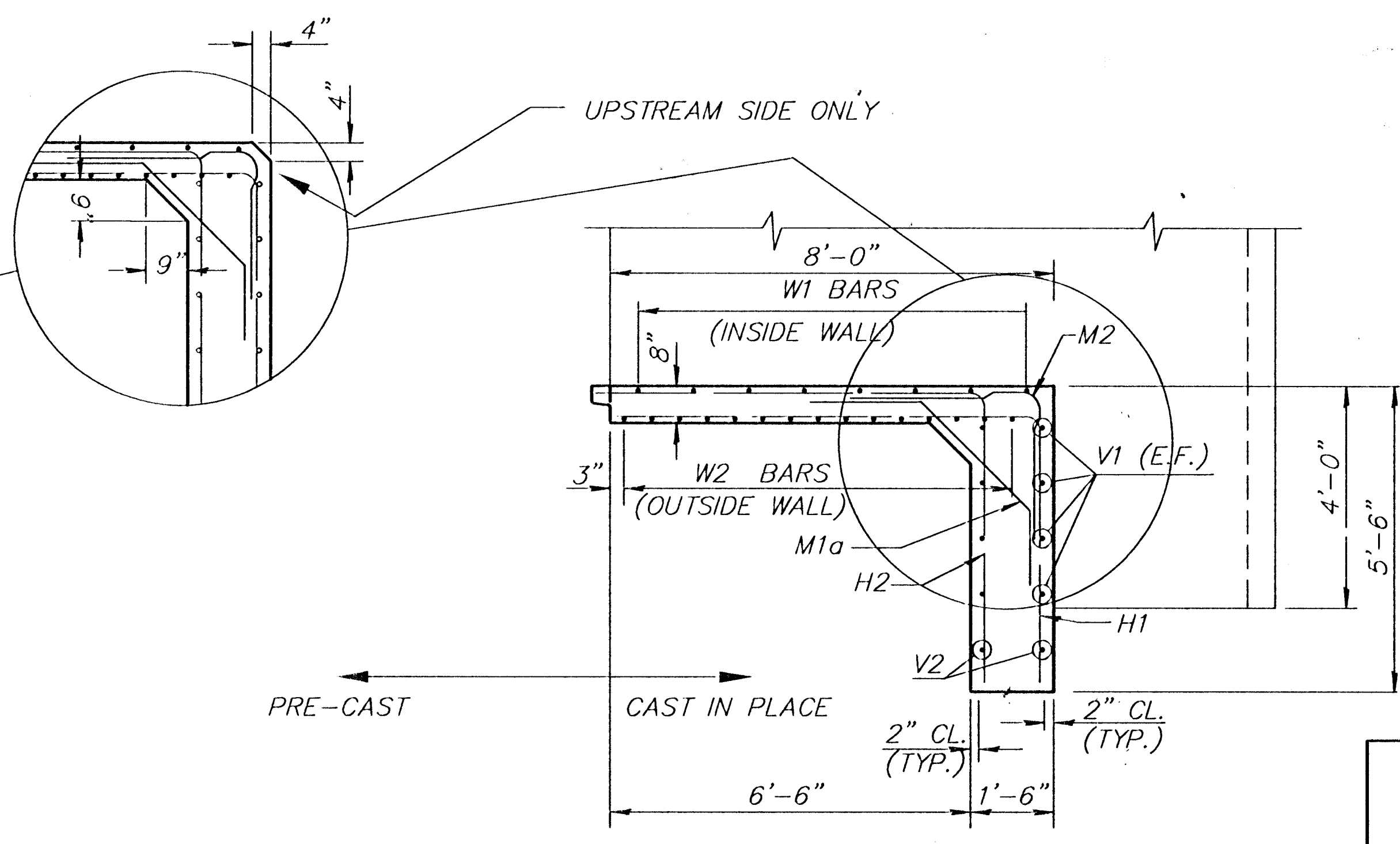
WINGWALL ELEVATION
(SHOWN DOWNSTREAM)



TYPICAL RCB SECTION



SECTION A
PARTIAL WINGWALL PLAN
(SHOWN DOWNSTREAM)



SECTION B
PARTIAL WINGWALL PLAN
(SHOWN DOWNSTREAM)

LEGEND
O.F. = OTHER FACE
E.F. = EACH FACE



AREA 'K' - 3RD STREET
STORM WATER IMPROVEMENTS
PROJECT NAME

12' X 8' R.C.B. DETAILS
SHEET TITLE

MID-KANSAS ENGINEERING
CONSULTANTS, INC.
411 N WEBB ROAD
WICHITA, KS. 67206
316-684-9600

JAH
DESIGN BY.
JUNE 1996
DATE

DPG
DRAWN BY.
93031WW
JOB NO.

KJS
CHECKED BY.
56 / 77
SHEET/OF