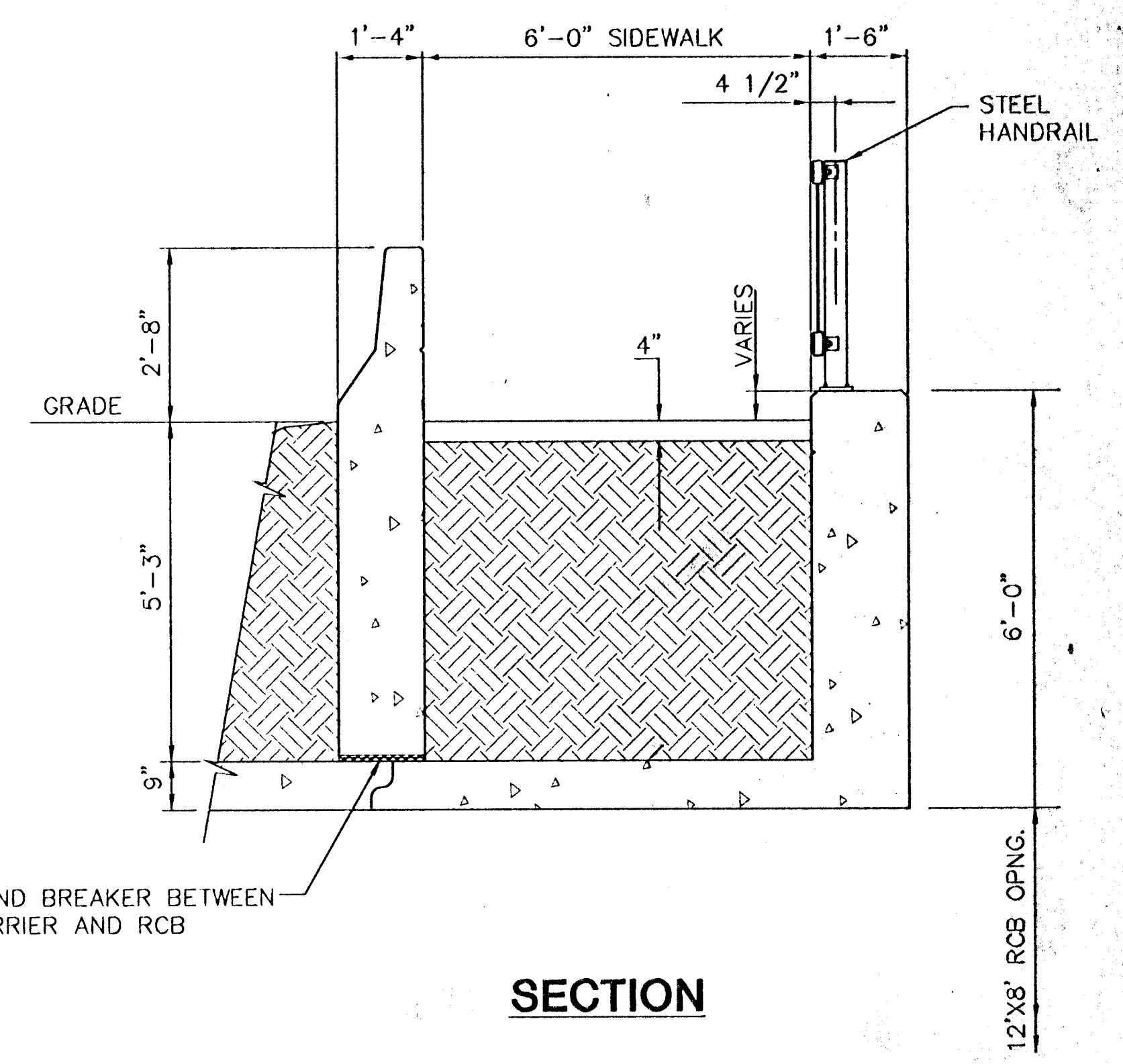
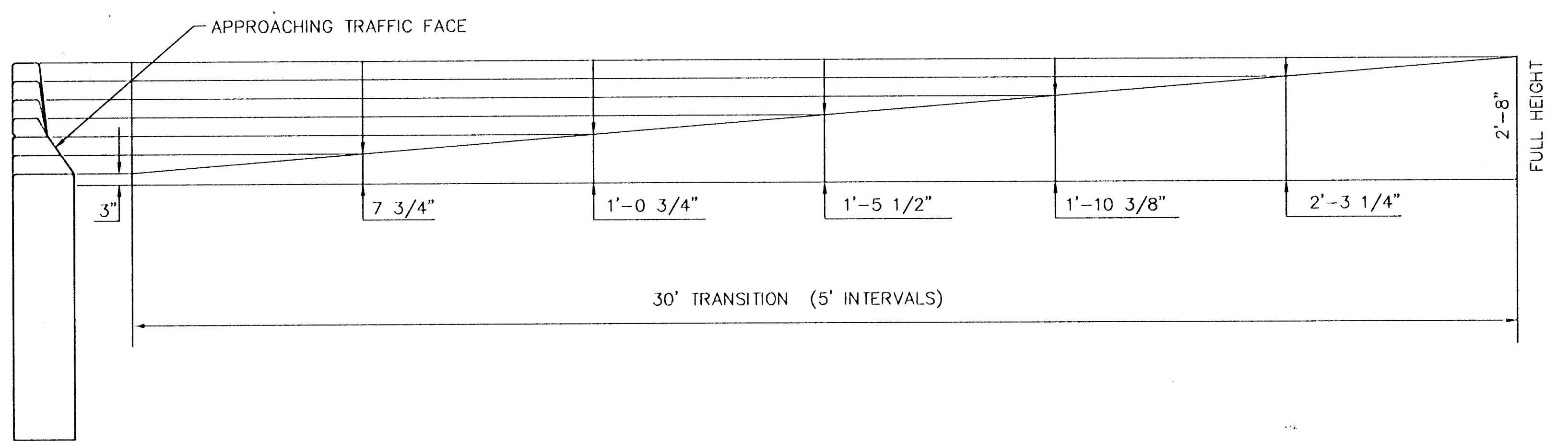


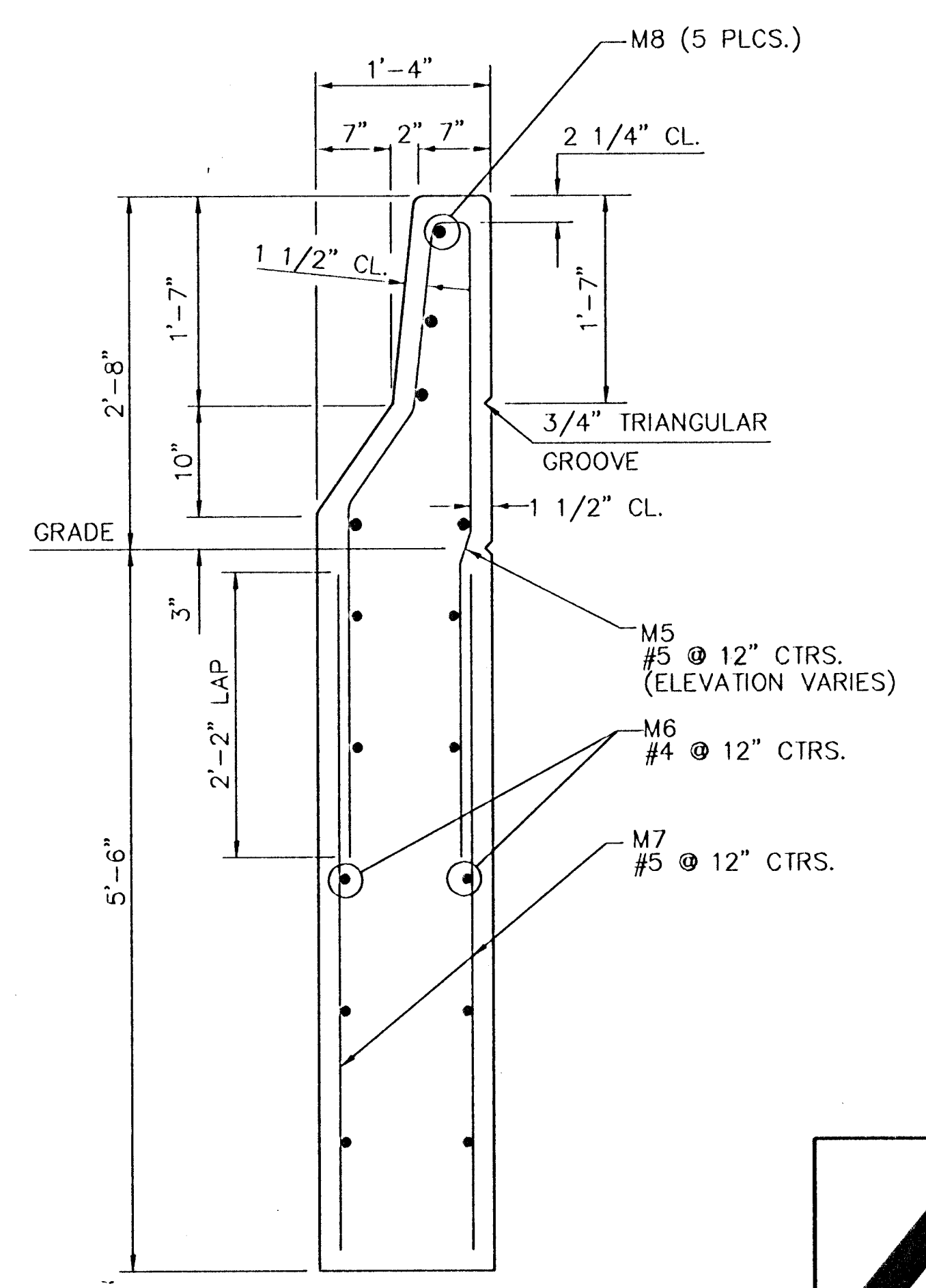
**TRAFFIC BARRIER ELEVATION**



**SECTION**



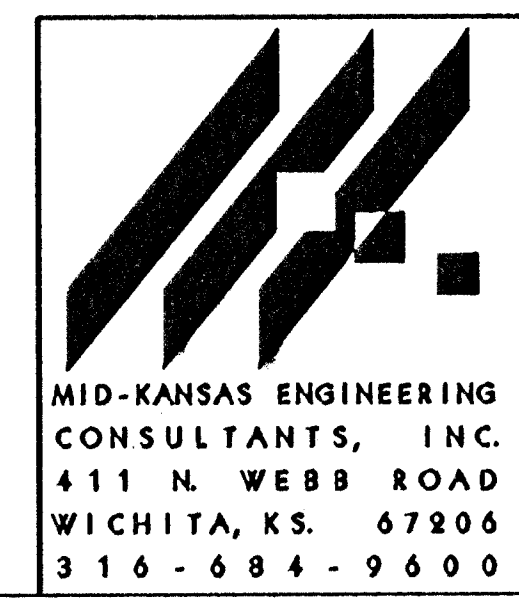
**TRAFFIC BARRIER TRANSITION**



**TRAFFIC BARRIER SECTION**

SUMMARY OF QUANTITIES	
Class AAA Concrete (AE)	88.2 C.Y.
Reinforcing Steel (Epoxy Coated)	4,392 Lbs.

BAR SCHEDULE															
M5				M6				M7				M8			
Size	Spa.	No.	Length	Size	Spa.	No.	Length	Size	Spa.	No.	Length	Size	Spa.	No.	Length
5	12"	131	9'-11"	4	12"	50	28'-1"	5	12"	262	5'-0"	5	--	25	28'-1"



**AREA "K" - 3RD STREET  
STORM WATER IMPROVEMENTS**  
PROJECT NAME

**TRAFFIC BARRIER DETAILS**  
SHEET TITLE

JAH DESIGN BY: DPG DRAWN BY: KJS CHECKED BY:  
JUNE 1996 DATE: 93031BRR JOB NO.: 60 / 77 SHEET OF

MID-KANSAS ENGINEERING  
CONSULTANTS, INC.  
411 N. WEBB ROAD  
WICHITA, KS. 67206  
316-684-9600