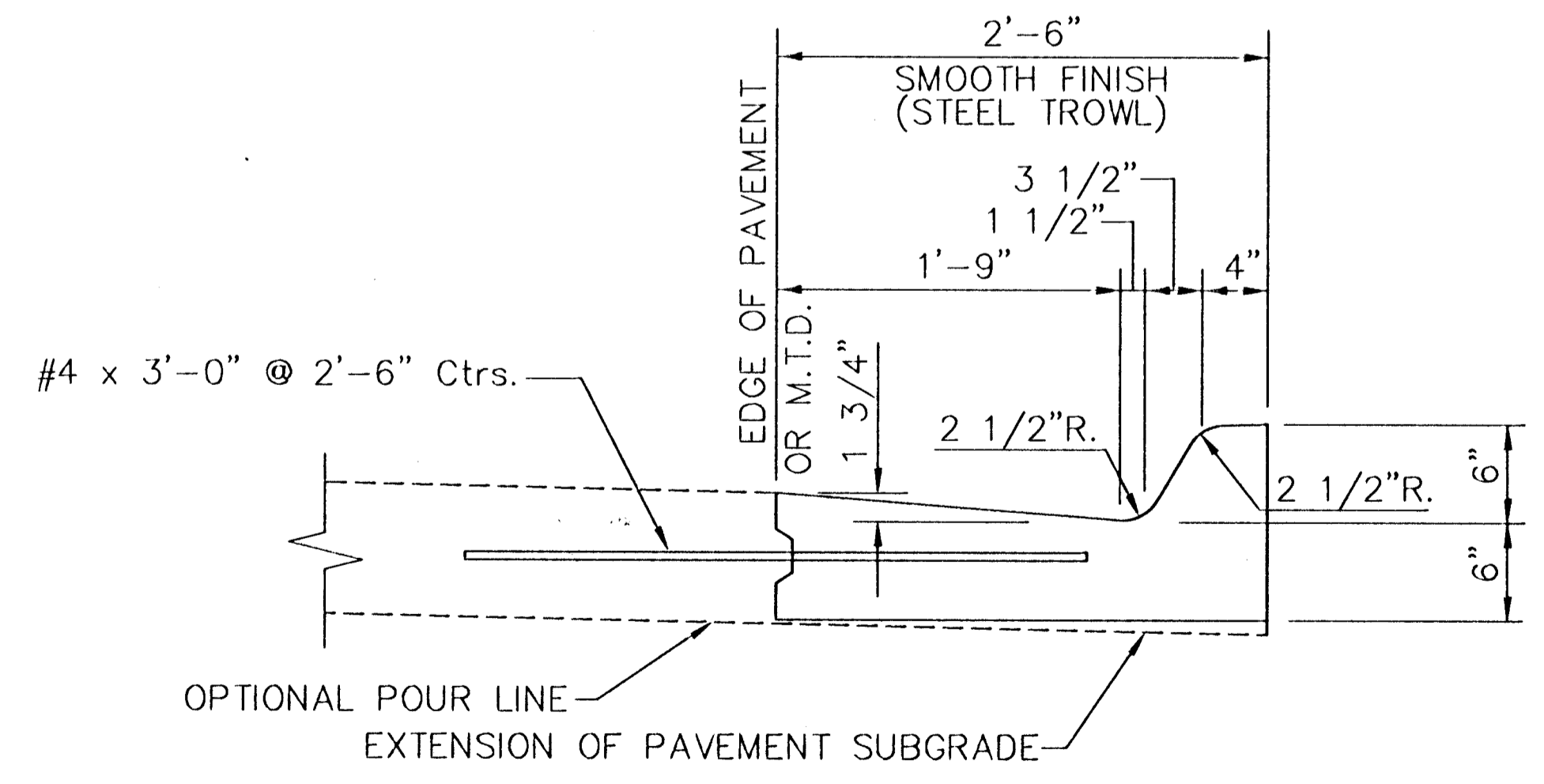
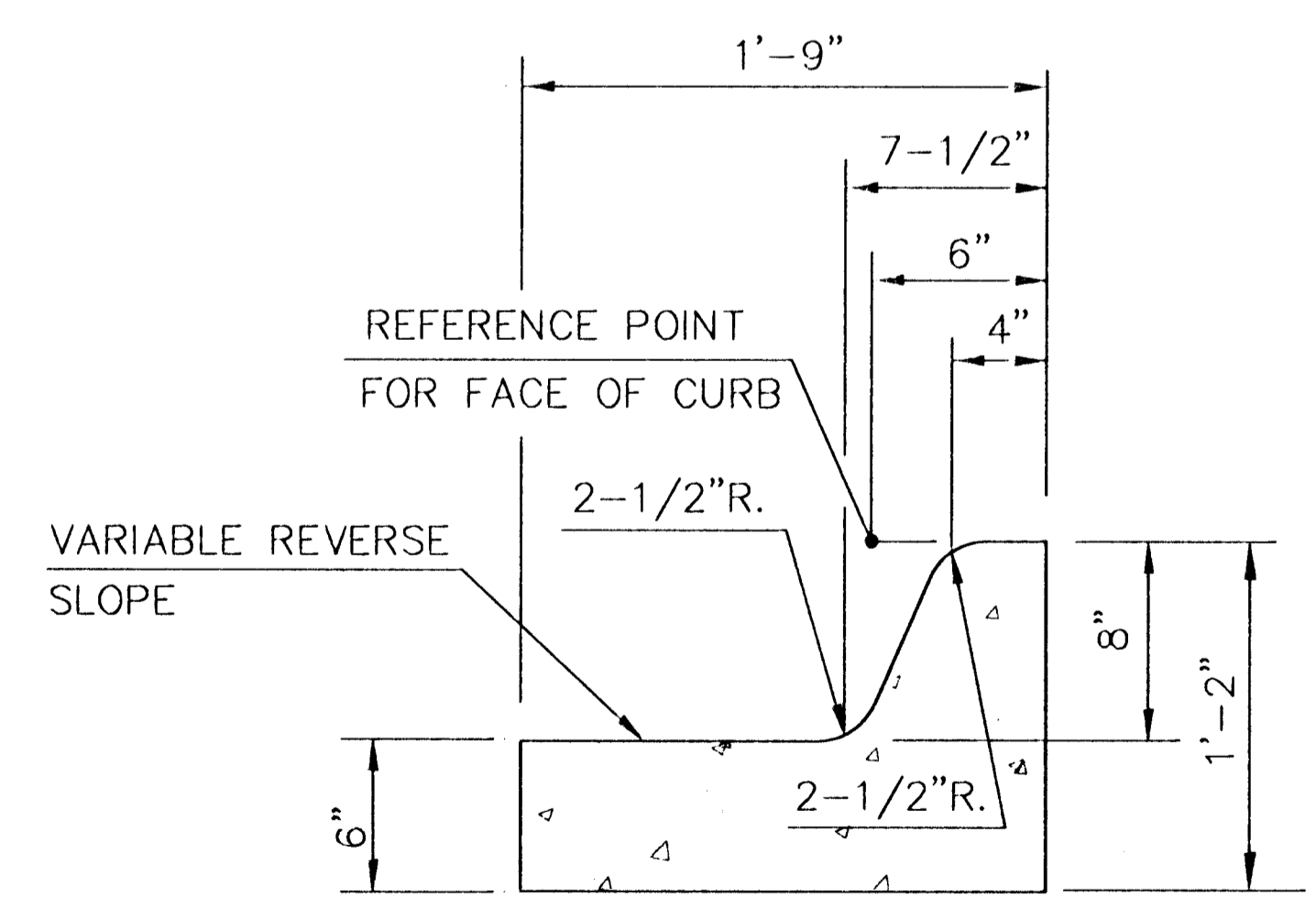


UNDERDRAIN AGGREGATE
PERCENT OF AGGREGATE RETAINED

1"	0
3/4"	0 TO 10
3/8"	45 TO 80
#4	90 TO 100
#8	95 TO 100

ROCK QUALITY SHALL CONFORM TO THE REQUIREMENTS SPECIFIED BY K.D.O.T. 1990 EDITION STANDARD SPECIFICATION SUBSECTION 1102 FOR DURABILITY CLASS 1



**AREA "K" - 3RD STREET
STORM WATER IMPROVEMENTS**
PROJECT NAME

PAVING DETAILS
SHEET TITLE

MID-KANSAS ENGINEERING CONSULTANTS, INC. 411 N. WEBB ROAD WICHITA, KS. 67206 316-684-9600	DESIGN BY: KJS	DRAWN BY: DPG	CHECKED BY: KJS
	DATE: FEB. 1996	JOB NO.: 930311S	SHEET OF: 61 / 77