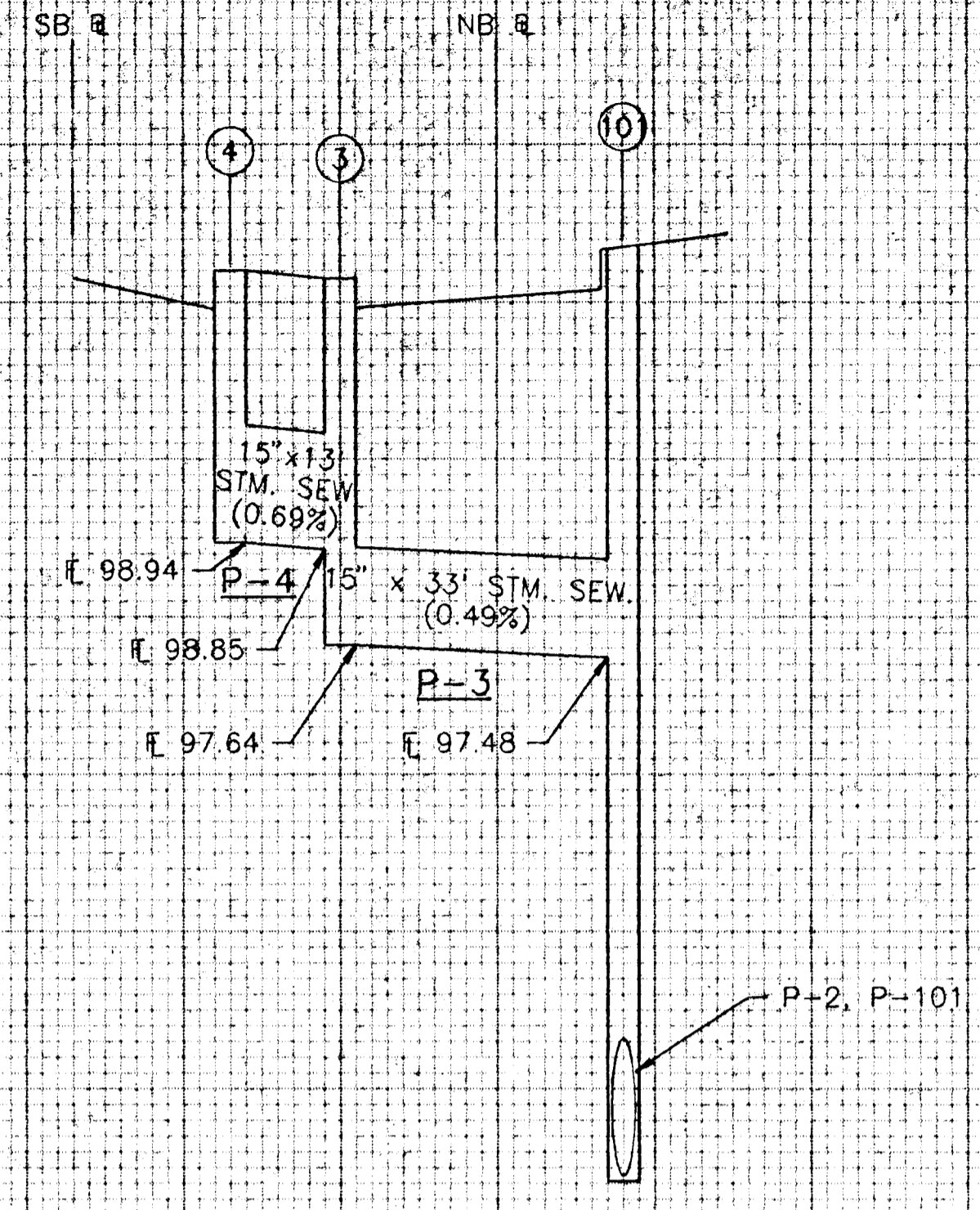
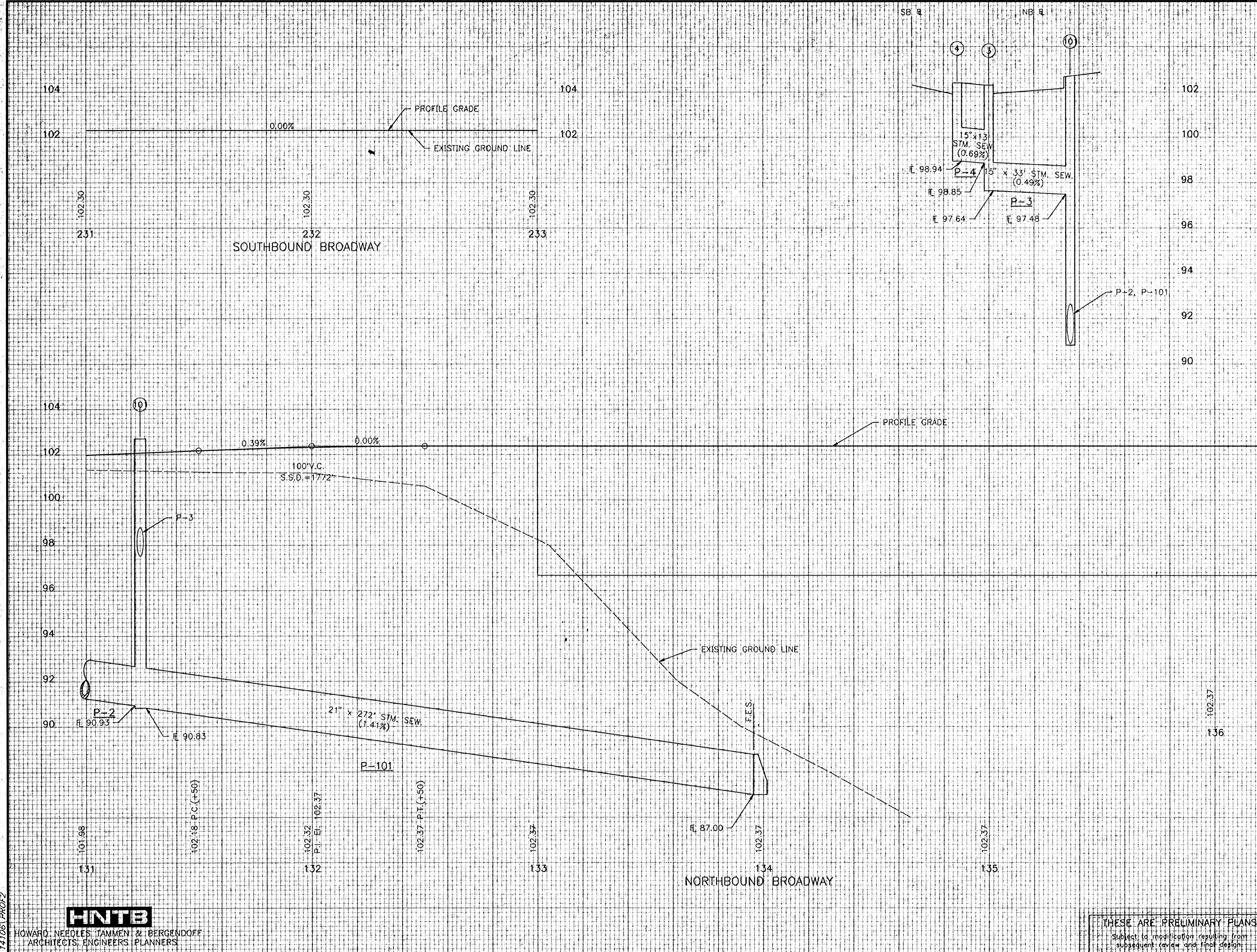


FHWA REGION NO.	STATE	PROJECT NO.	YEAR	SHEET NO.	TOTAL SHEETS
7	KANSAS		1993	9	35



7-11-01 PROF'Z

HNTB
HOWARD, NEEDLES, TAMMEN & BERGENDOFF
ARCHITECTS, ENGINEERS, PLANNERS

THESE ARE PRELIMINARY PLANS
Subject to modification resulting from
subsequent review and final design.

NO.		DATE		REVISIONS		BY	APP'D
3							
2							
1							

CITY OF WICHITA

BROADWAY PROFILE
STA. 131+00 TO STA. 137+00

SHEET NO.	SCALE	1"=20'	APP'D.
DESIGNED SAMW	DETAILED MDP	QUANTITIES	TRACED
DESIGN CK. MLM	DETAL CK.	QUAN CK.	TRACE CK.