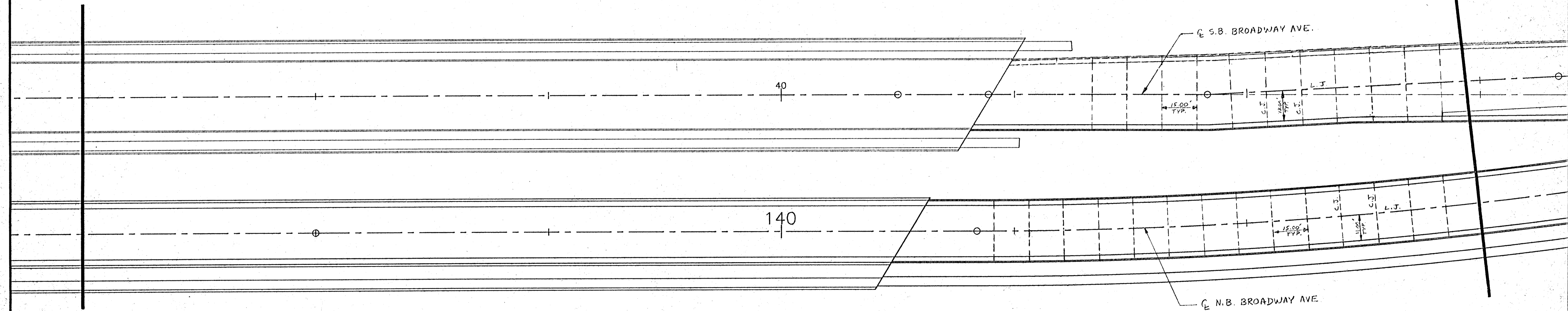


| | | | | | |
|----------------------|--------|------------|------|-------------|-----------------|
| FHWA REGION NO | STATE | PROJECT NO | YEAR | SHEET NO | TOTAL SHEETS |
| 7 | KANSAS | | 1993 | 23 | 35 |



LEGEND

- — — — — LONGITUDINAL JOINT
- - - - - CONTRACTION JOINT

HNTB
HOWARD NEEDLES TAMMEN & BERGENDOFF
ARCHITECTS ENGINEERS PLANNERS

THESE ARE PRELIMINARY PLANS
Subject to modification resulting from
subsequent review and final design.

| | | | | | |
|-----------------------------------|----------------|------------|-----------|-------|--|
| 3 | | | | | |
| 2 | | | | | |
| 1 | | | | | |
| NO | DATE | REVISIONS | BY | APP'D | |
| CITY OF WICHITA | | | | | |
| JOINT LAYOUT | | | | | |
| STA. 137+00 TO STA. 143+00 | | | | | |
| SHEET NO. | SCALE 1" = 20' | APP'D. | | | |
| DESIGNED <i>M.L.M.</i> | DETAILED | QUANTITIES | TRACED | | |
| DESIGN CH. | DETAIL CH. | QUANT. CH. | TRACE CH. | | |