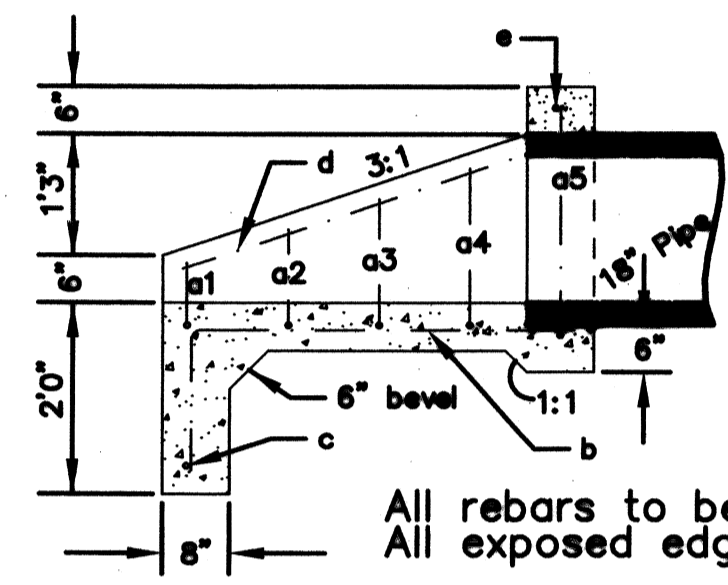


PLAN



SECTION

All rebar to be #4.  
All exposed edges to have 1/2" bevel.

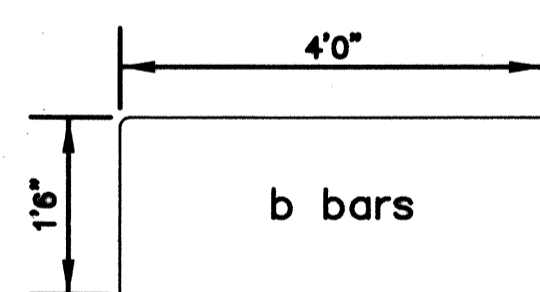
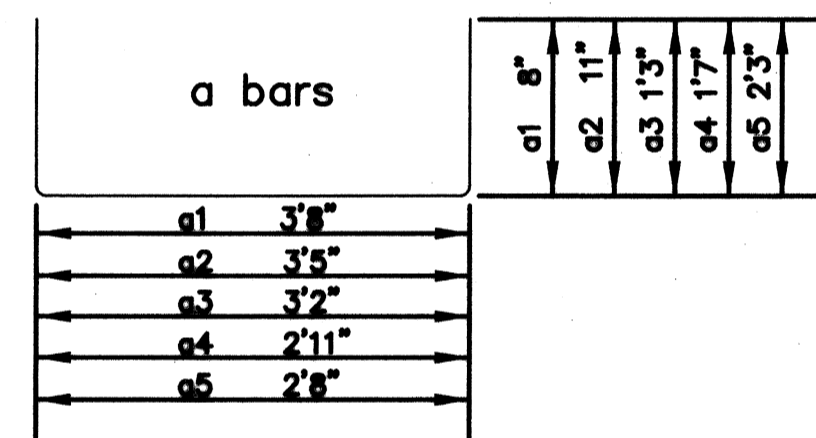
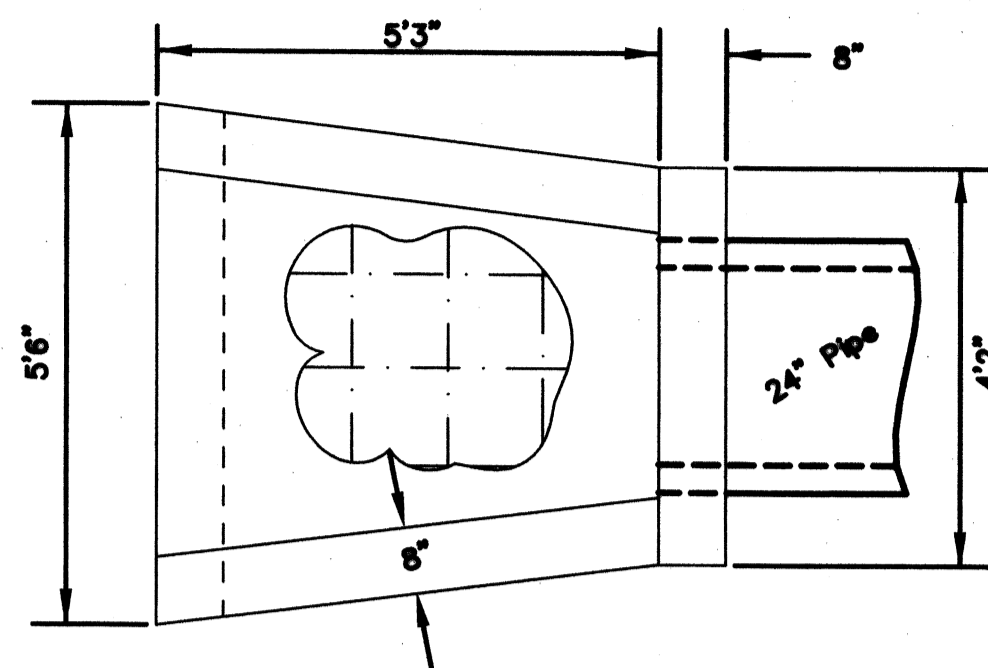


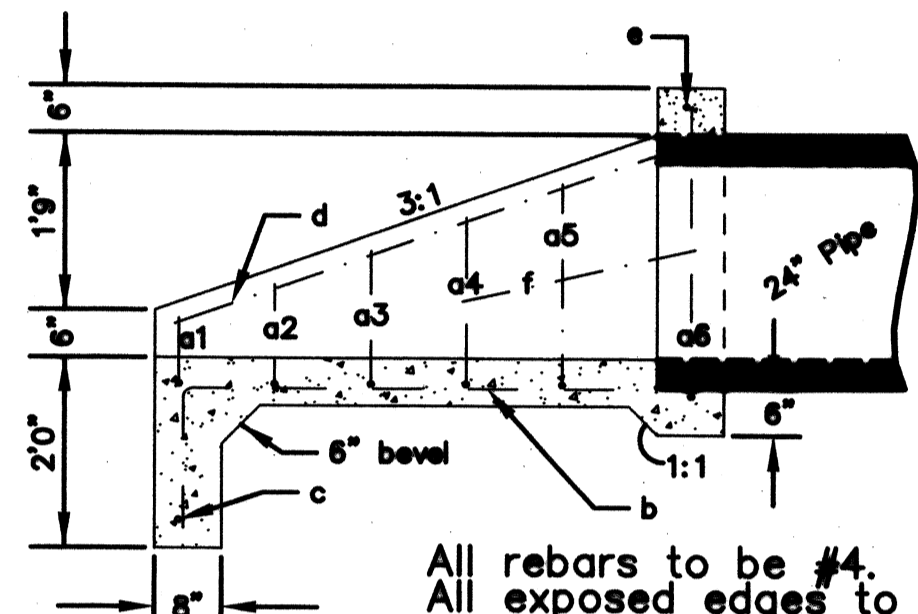
TABLE OF QUANTITIES				
BAR	NUMBER	LENGTH	SHAPE	WEIGHT
a1	1	5'0"	□	3.34
a2	1	5'3"	□	3.51
a3	1	5'8"	□	3.79
a4	1	6'1"	□	4.06
a5	1	7'2"	□	4.79
b	5	5'8"	□	18.37
c	1	4'0"	□	2.67
d	2	4'0"	□	5.34
e	1	3'2"	□	2.12
Total Rebar, lbs				47.99
Concrete, C.Y.				0.91

All rebar to be #4.

HEADWALL FOR 18" PIPE



PLAN



SECTION

All rebar to be #4.  
All exposed edges to have 1/2" bevel.

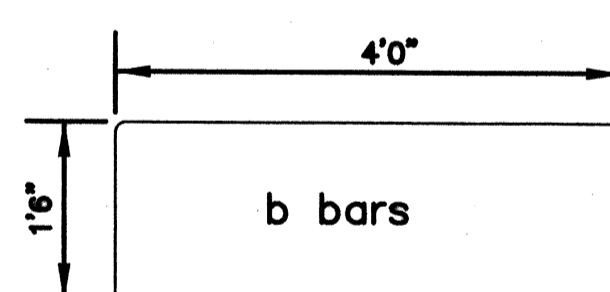
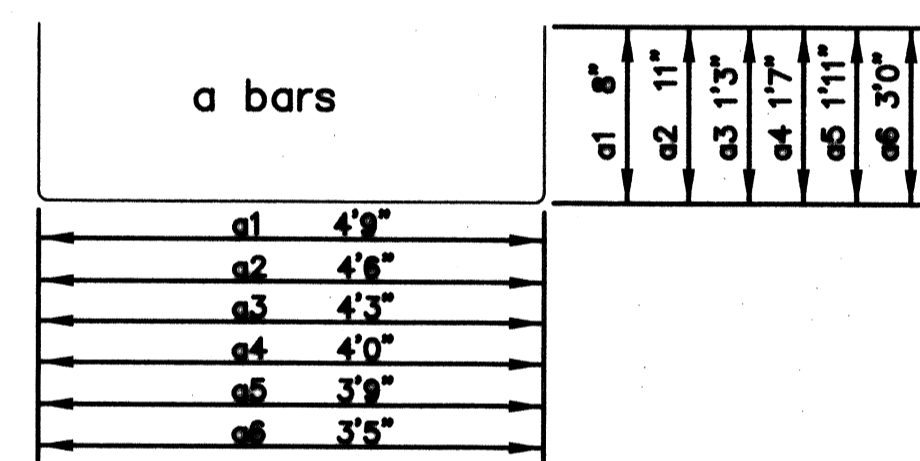
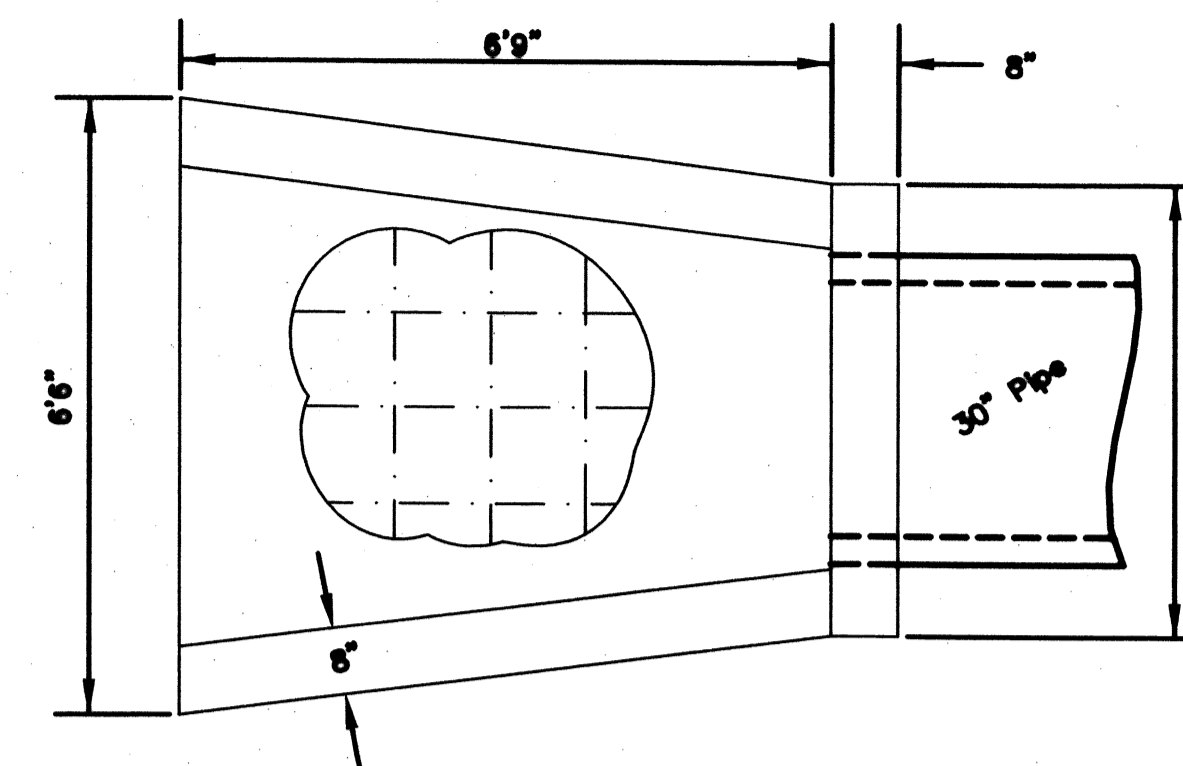


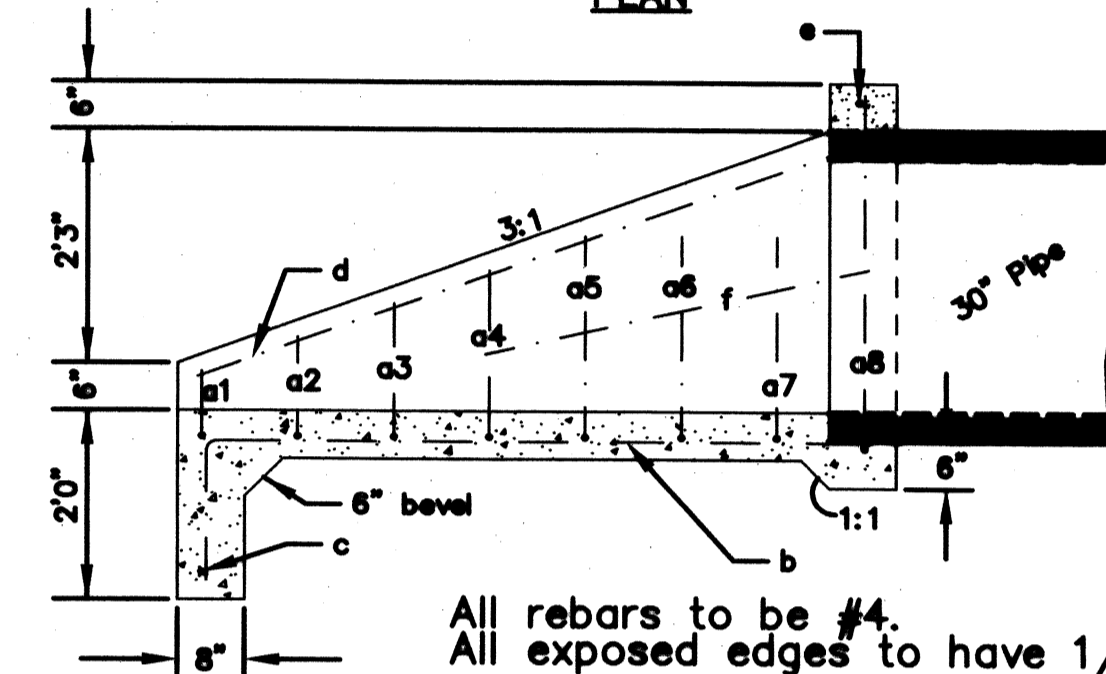
TABLE OF QUANTITIES				
BAR	NUMBER	LENGTH	SHAPE	WEIGHT
a1	1	6'1"	□	4.06
a2	1	6'4"	□	4.23
a3	1	6'9"	□	4.51
a4	1	7'2"	□	4.79
a5	1	7'7"	□	5.07
a6	1	9'5"	□	6.29
b	6	6'11"	□	27.72
c	1	5'0"	□	3.37
d	2	5'10"	□	7.79
e	1	3'10"	□	2.56
f	2	2'9"	□	3.67
Total Rebar, lbs				74.03
Concrete, C.Y.				1.40

All rebar to be #4.

HEADWALL FOR 24" PIPE



PLAN



SECTION

All rebar to be #4.  
All exposed edges to have 1/2" bevel.

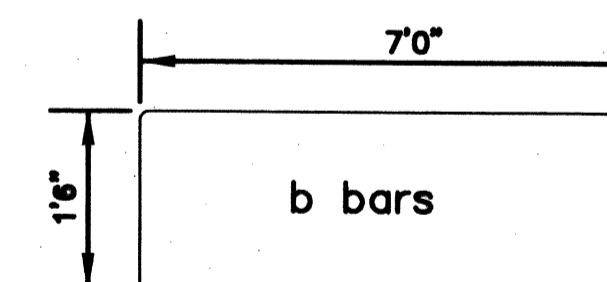
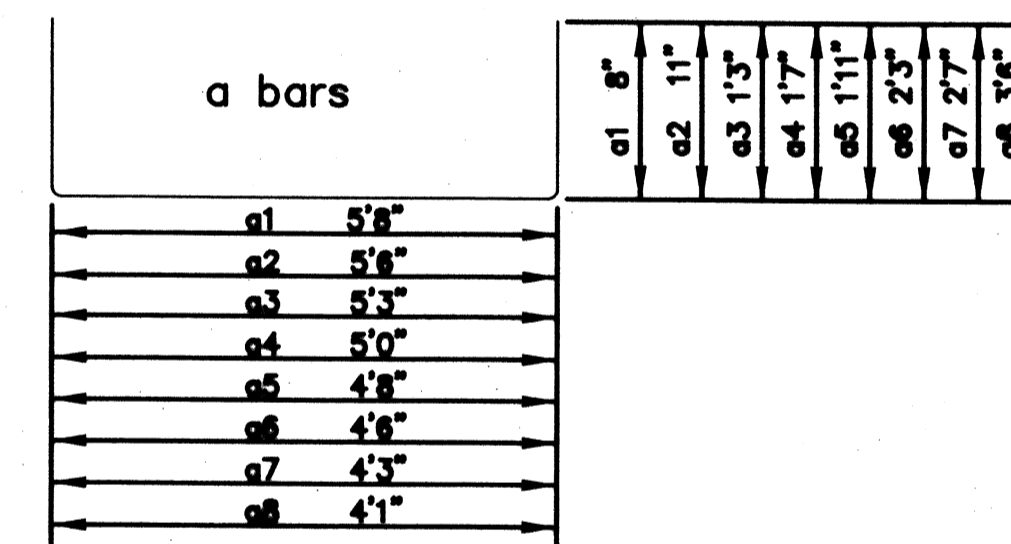


TABLE OF QUANTITIES				
BAR	NUMBER	LENGTH	SHAPE	WEIGHT
a1	1	7'0"	□	4.68
a2	1	7'4"	□	4.90
a3	1	7'9"	□	5.18
a4	1	8'2"	□	5.46
a5	1	8'6"	□	5.68
a6	1	9'0"	□	6.01
a7	1	9'5"	□	6.29
a8	1	11'1"	□	7.40
b	7	8'8"	□	35.07
c	1	6'0"	□	4.01
d	2	7'6"	□	10.02
e	1	4'5"	□	2.95
f	2	4'3"	□	5.68
Total Rebar, lbs				103.33
Concrete, C.Y.				2.01

All rebar to be #4.  
HEADWALL FOR 30" PIPE

THE CITY OF WICHITA

CITY ENGINEER'S OFFICE  
CITY HALL - SEVENTH FLOOR  
400 NORTH MAIN STREET  
WICHITA, KANSAS 67202  
(316) 268-3114 FAX

HEADWALL  
DETAILS FOR  
18", 24", & 30" PIPE

M. E. LINDEBAK P.E. - CITY ENGINEER

PROJECT NUMBER: XXX-XXXXX      INDEX CODE: XXXXXX

DATE: MAR 96      SHEET C-11.11

REV. 8-21-01